



US00D960700S

(12) **United States Design Patent** (10) **Patent No.:** **US D960,700 S**
Ferguson et al. (45) **Date of Patent:** **** Aug. 16, 2022**

(54) **ACCESSORY HOLDER**

- (71) Applicant: **Kover Keeper LLC**, Broomfield, CO (US)
- (72) Inventors: **Daniel W. Ferguson**, Broomfield, CO (US); **Paul McQuade**, Broomfield, CO (US)
- (73) Assignee: **Kover Keeper LLC**, Broomfield, CO (US)
- (**) Term: **15 Years**

- (21) Appl. No.: **29/677,567**
- (22) Filed: **Jan. 22, 2019**
- (51) **LOC (13) Cl.** **08-08**
- (52) **U.S. Cl.**
USPC **D8/395**
- (58) **Field of Classification Search**
USPC D3/5, 207, 255; D11/202, 214, 215;
D8/96, 395, 373; D2/624, 623, 891;
D24/134; D17/99
CPC A63B 60/62; A63B 57/20; A63B 55/406;
A63B 55/408
See application file for complete search history.

(56) **References Cited**

U.S. PATENT DOCUMENTS

1,059,790	A *	4/1913	Volmer	D06F 55/00
					24/562
1,782,057	A *	11/1930	Bollinger	A41F 19/005
					24/301
D159,597	S *	8/1950	Carnevale	D11/214
4,971,072	A *	11/1990	Randall	A45D 8/00
					128/857
D338,327	S *	8/1993	Lewis	D3/13
5,615,454	A *	4/1997	Contarino	A45C 13/20
					24/116 A
D385,415	S *	10/1997	Turbide	D3/207
D393,183	S *	4/1998	Kurtzman	D11/200

(Continued)

OTHER PUBLICATIONS

Double Clip-On Curly Wire Sign—Wire, PVC coated [online], [site visited Feb. 6, 2021], Available from internet URL: https://www.ebay.com/itm/224467524520nma=true&si=X0zcXQMkC6dXYVfX7KnqGTpjZeE%253D&orig_cvip=true&nordt=true&rt=nc&t (Year: Not available) (Year: NA).*

Primary Examiner — Susan Bennett Hattan
Assistant Examiner — Rozita Mozaffarian
(74) *Attorney, Agent, or Firm* — Trenner Law Firm, LLC; Mark D. Trenner

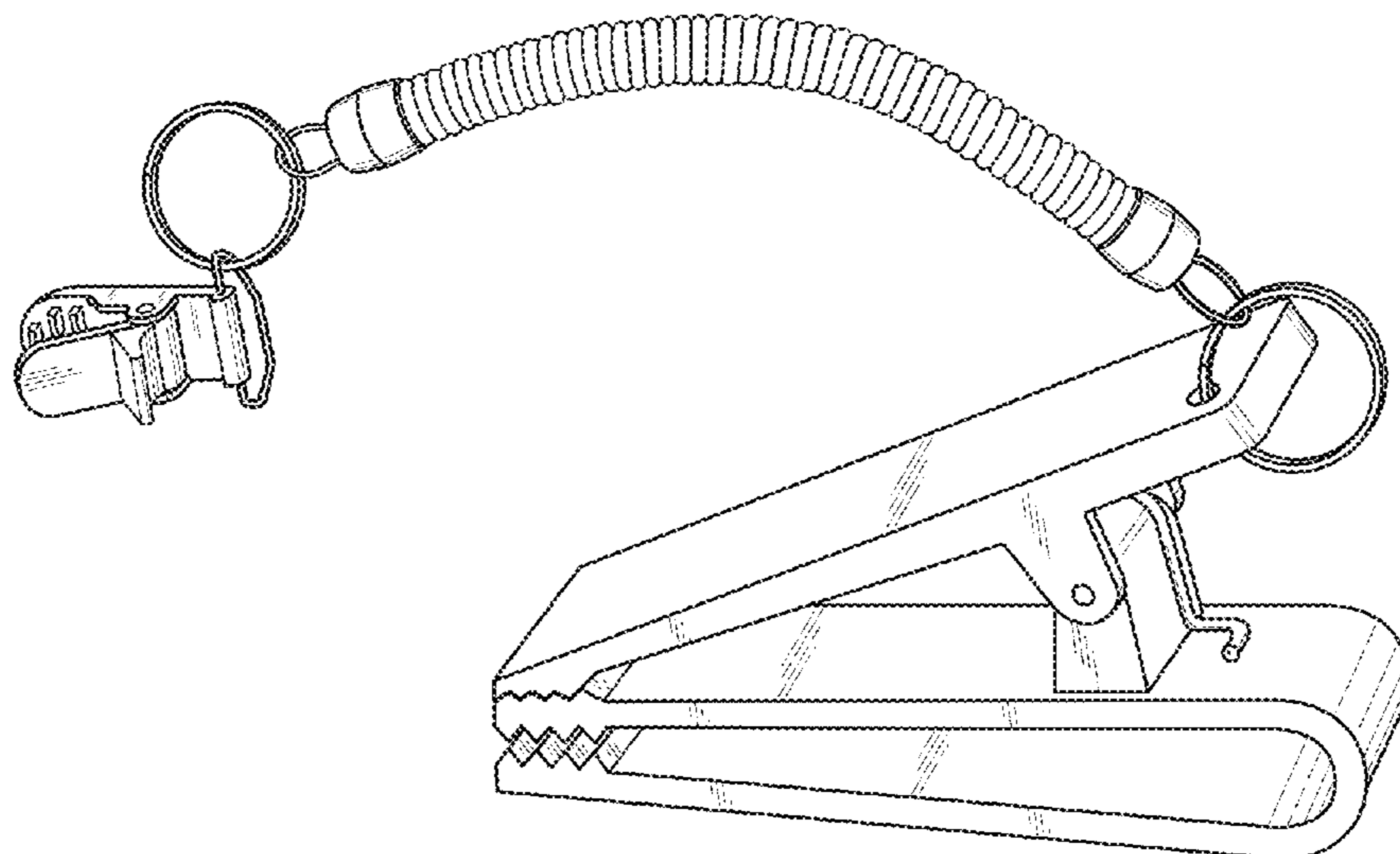
(57) **CLAIM**

The ornamental design for an accessory holder, as shown and described.

DESCRIPTION

FIG. 1 is a top perspective view of an accessory holder showing our new design;
FIG. 2 is a bottom perspective view of the accessory holder;
FIG. 3 is a left side view of the design corresponding to FIG. 1;
FIG. 4 is a front view of the design corresponding to FIG. 1;
FIG. 5 is a right side view of the design corresponding to FIG. 1;
FIG. 6 is a back view of the design corresponding to FIG. 1;
FIG. 7 is a bottom view of the design corresponding to FIG. 1;
FIG. 8 is a top view of the design corresponding to FIG. 1; and,
FIG. 9 is a perspective view of the accessory holder as it may be used to connect a golf club head cover to a golf bag, wherein the golf bag and golf club head cover are shown in dashed lines and do not form a part of the design.

1 Claim, 9 Drawing Sheets



(56)

References Cited

U.S. PATENT DOCUMENTS

5,758,914 A * 6/1998 Ioveno B65F 1/1615
220/375
D399,986 S * 10/1998 Schultheis D2/624
5,852,849 A * 12/1998 Lansing G09F 21/02
24/3.4
6,434,800 B1 * 8/2002 James A63B 60/62
24/298
6,530,131 B1 3/2003 Hopkins
D571,647 S * 6/2008 La Quay D8/395
7,406,840 B2 * 8/2008 Brancato A41F 15/002
63/3
D616,545 S * 5/2010 Burtch D24/134
D652,211 S * 1/2012 Morrison D3/255
9,392,864 B2 * 7/2016 Reed A45F 5/021
D784,192 S * 4/2017 Lasater D11/215
D799,952 S * 10/2017 Demberg D8/395
D858,088 S * 9/2019 Osmanski D3/207
2008/0134474 A1 6/2008 Uryasov
2019/0232133 A1 * 8/2019 Ferguson A63B 55/408

* cited by examiner

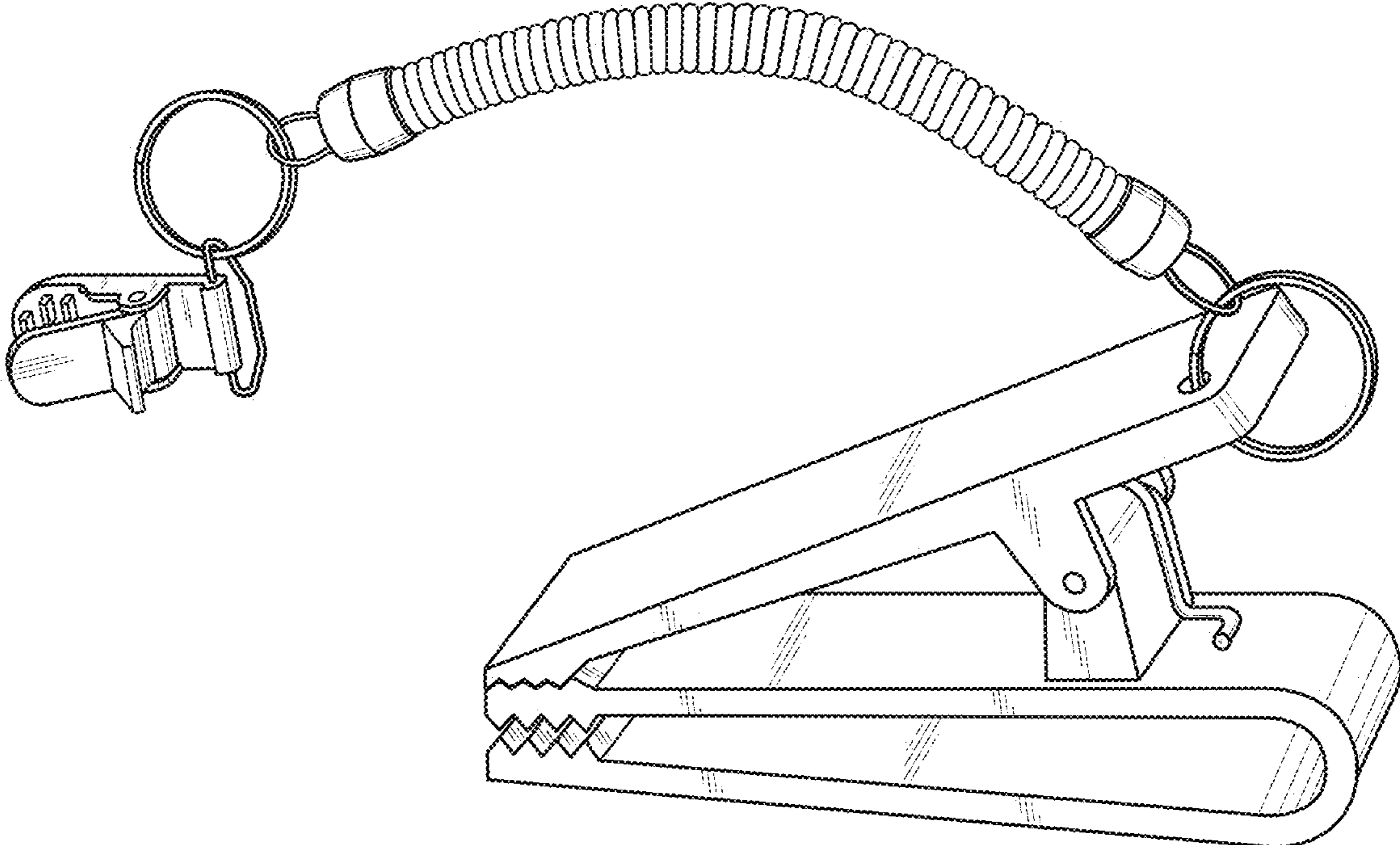


FIG. 1

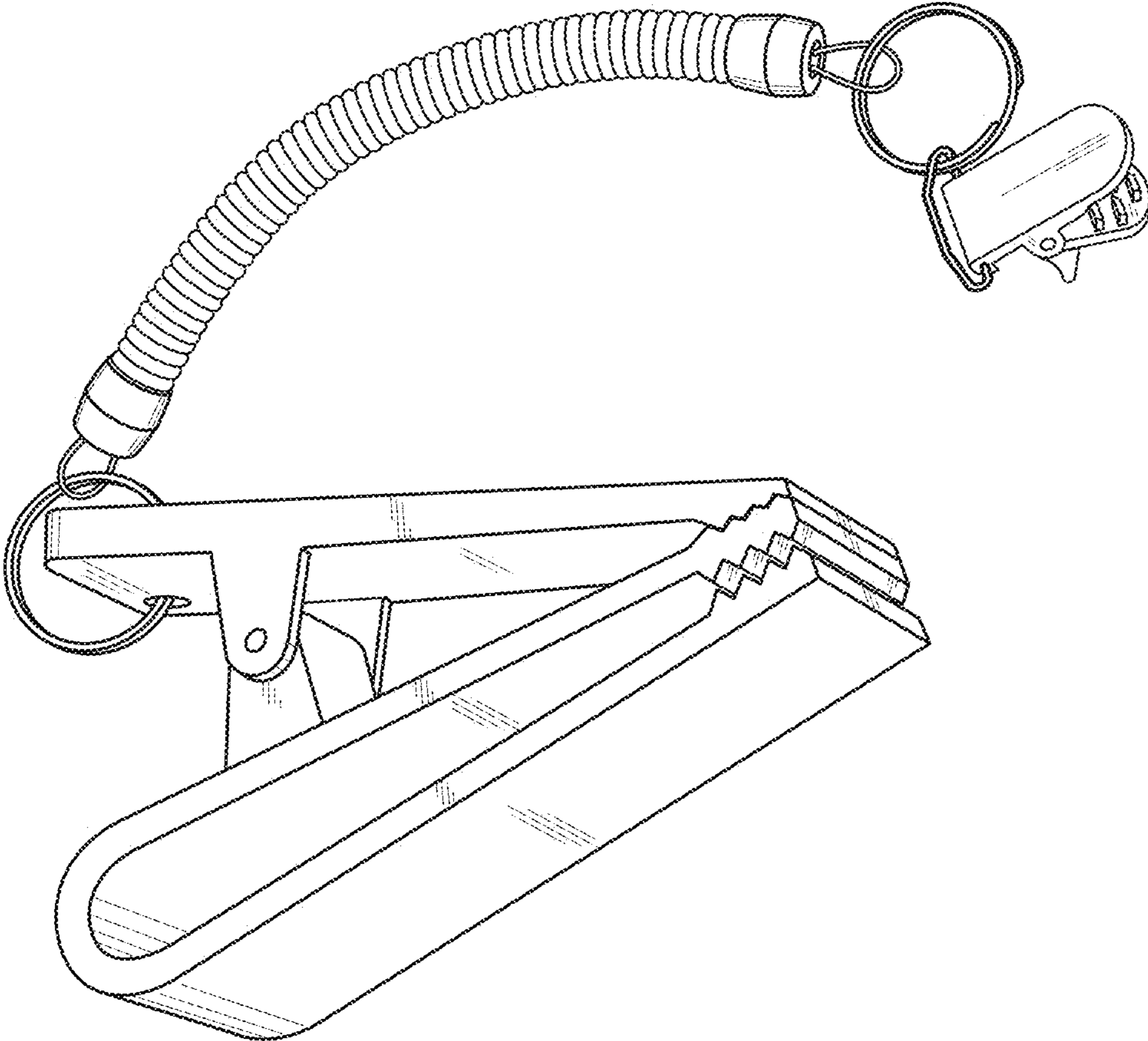


FIG.2

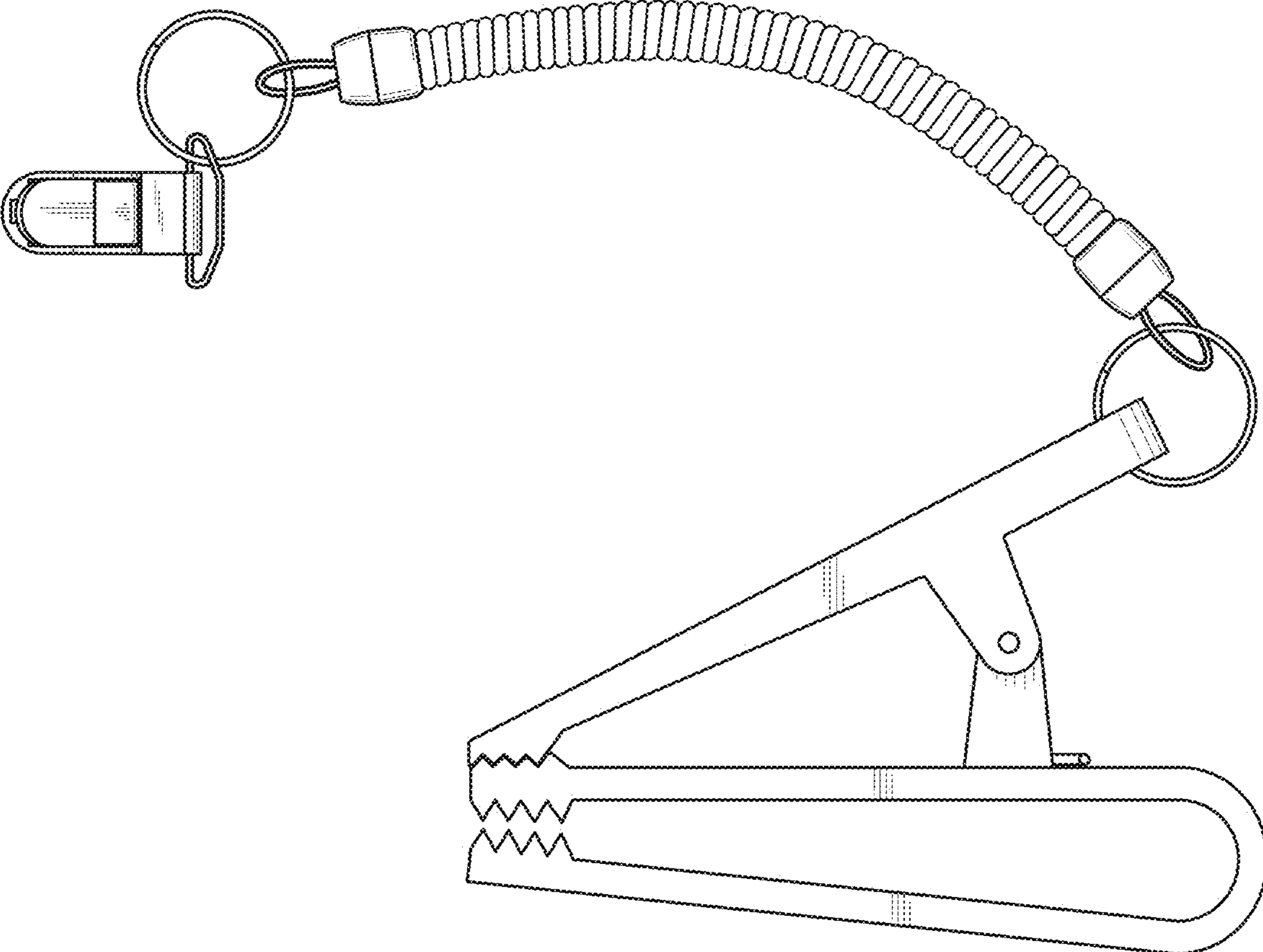


FIG. 3

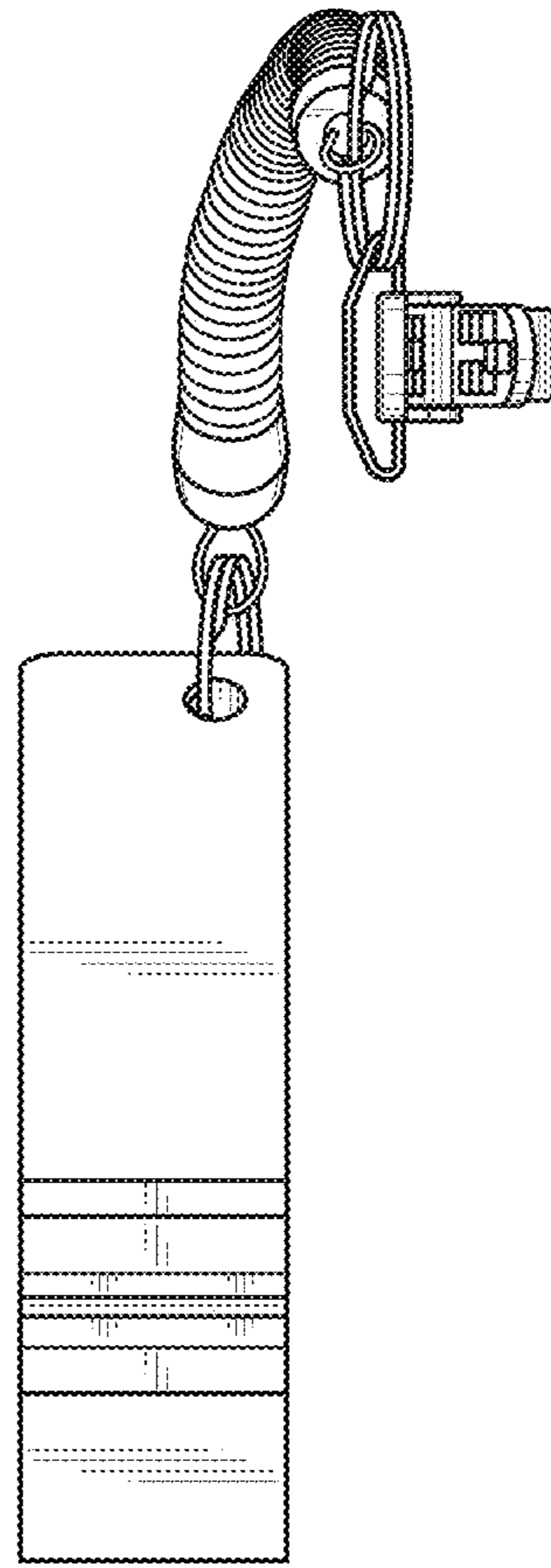


FIG. 4

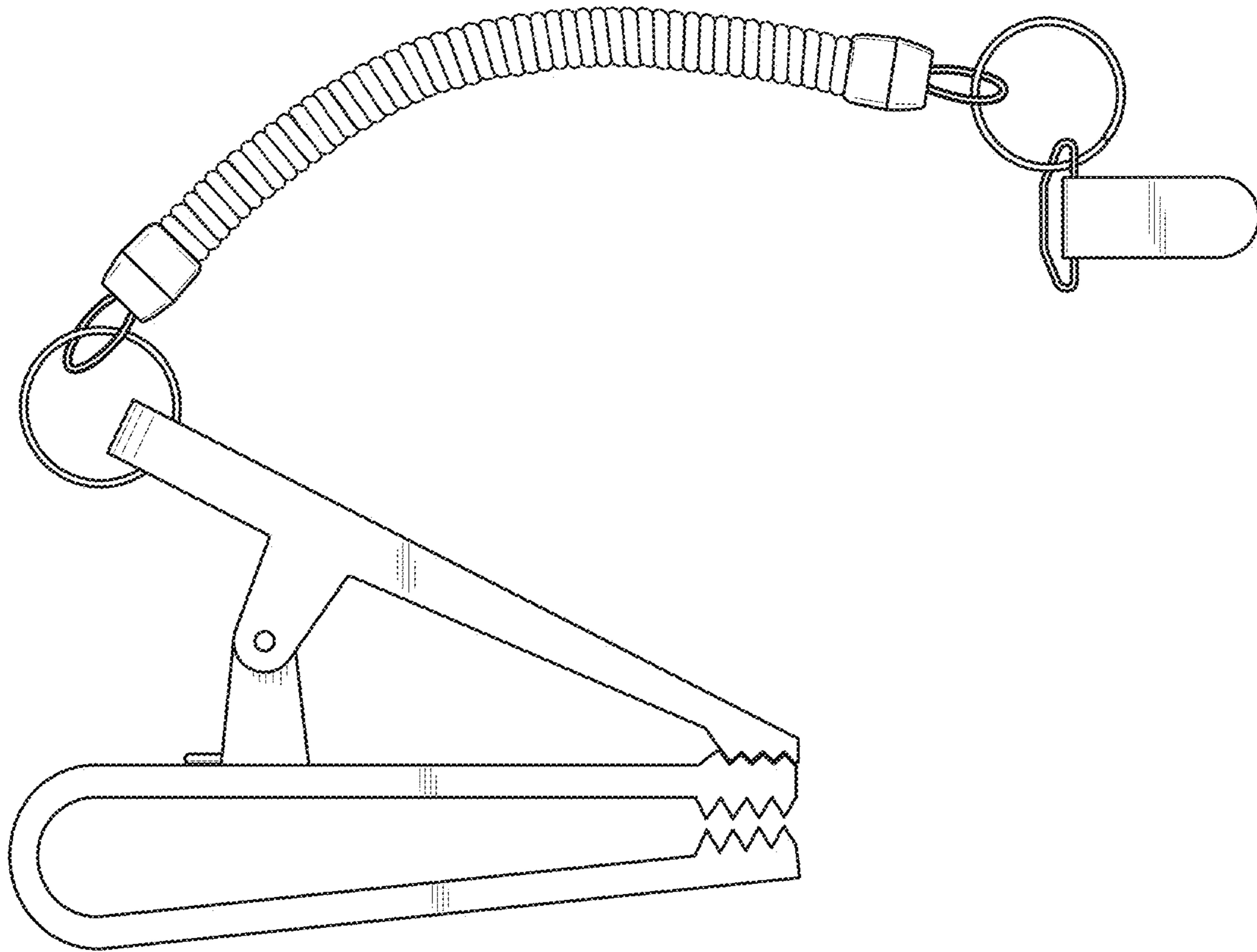


FIG. 5

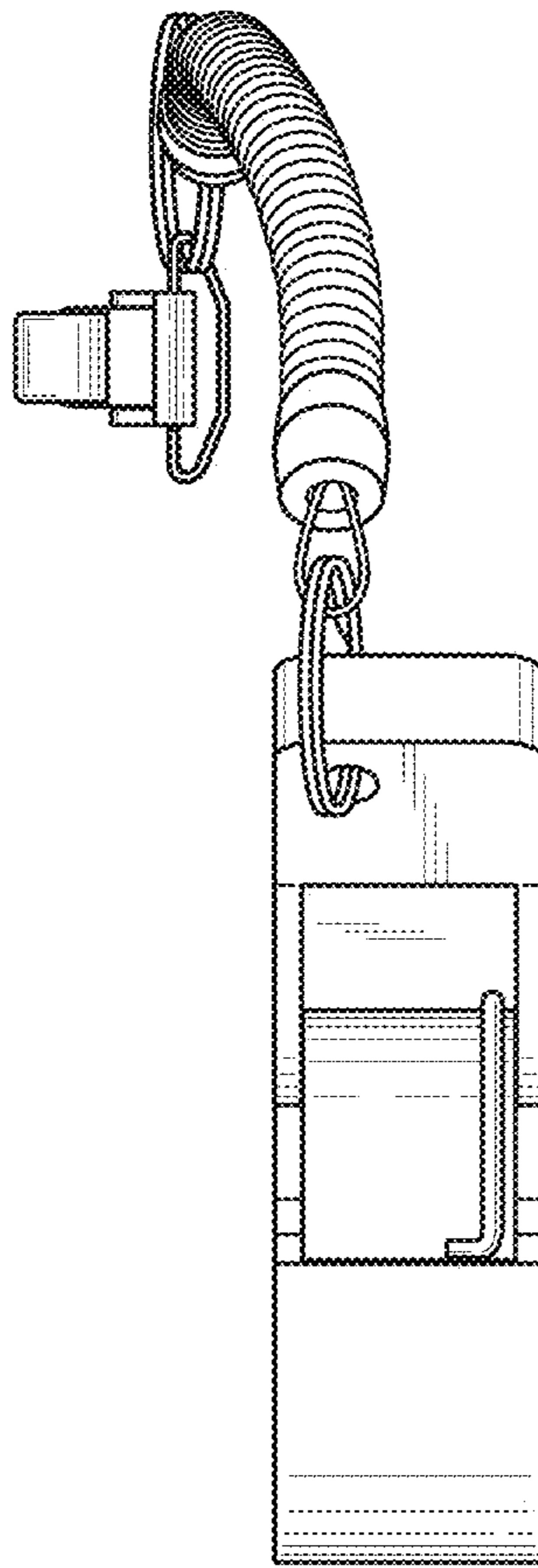


FIG. 6

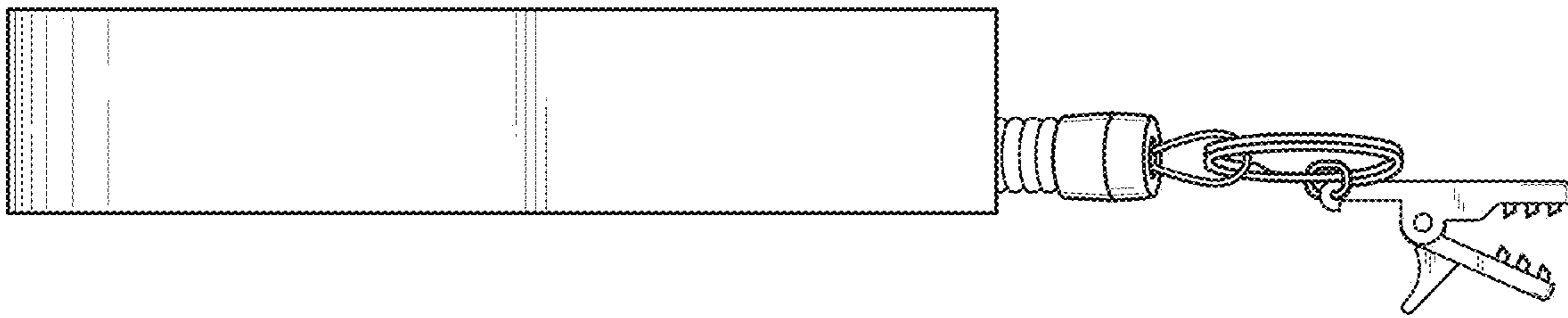


FIG. 7

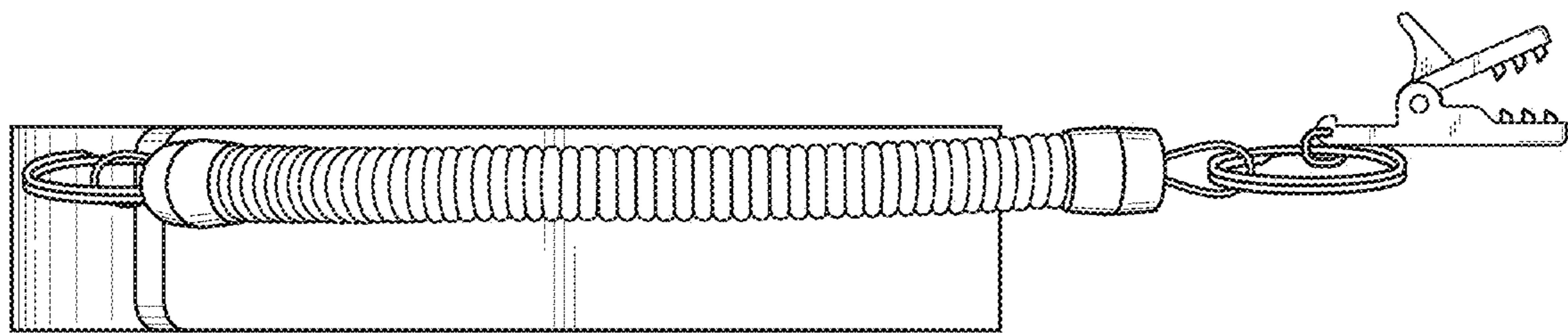


FIG. 8

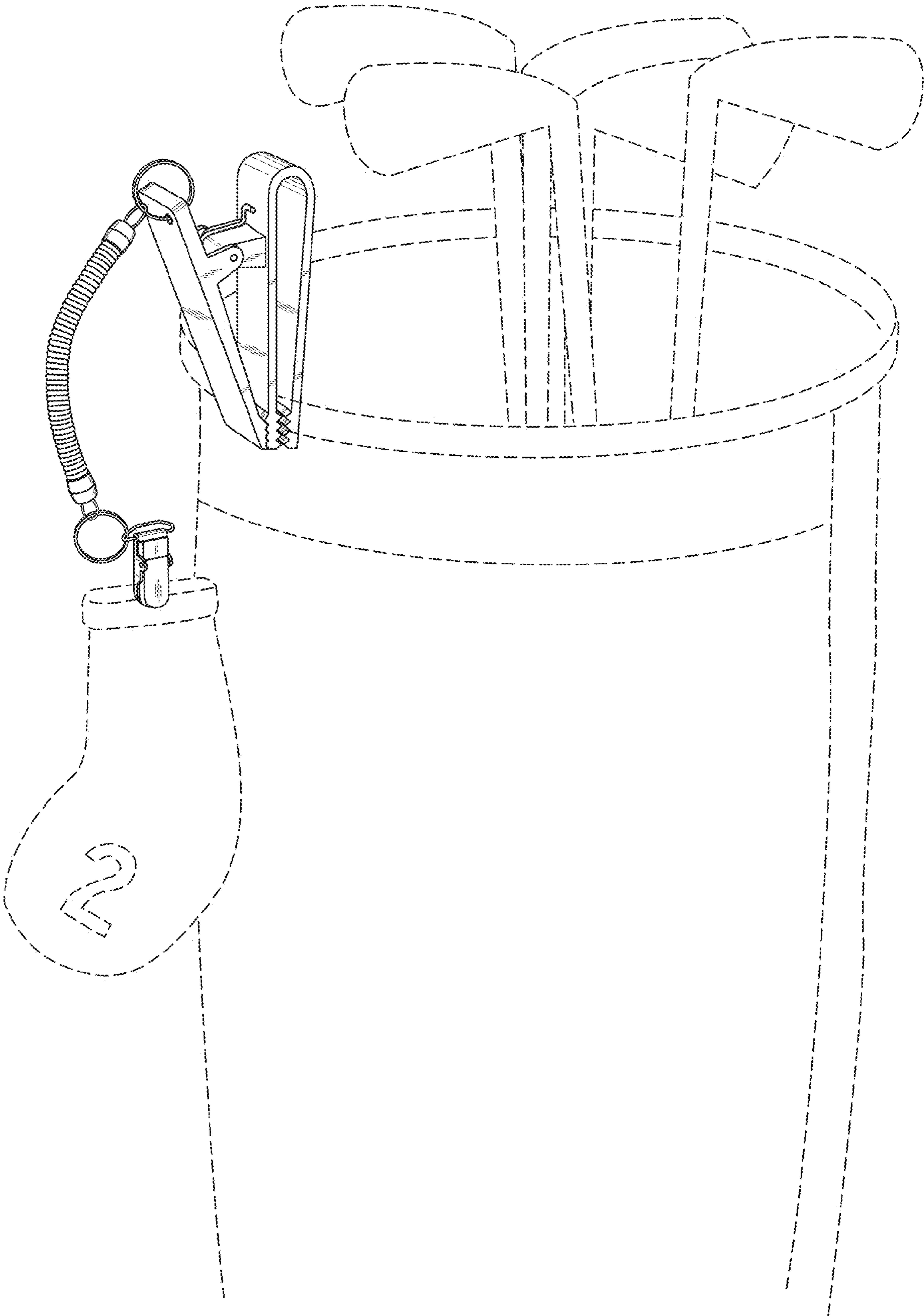


FIG. 9