

US00D960698S

(12) **United States Design Patent**  
**Zhao et al.**

(10) **Patent No.:** **US D960,698 S**

(45) **Date of Patent:** **\*\* Aug. 16, 2022**

(54) **KNIFE SHARPENER**

(71) Applicant: **Foshan Oou Intelligent Technology Co., Ltd.**, Foshan (CN)

(72) Inventors: **Zhiyuan Zhao**, Foshan (CN); **Min Luo**, Foshan (CN)

(73) Assignee: **Foshan Oou Intelligent Technology Co., Ltd.**, Shunde District (CN)

(\*\*) Term: **15 Years**

(21) Appl. No.: **29/759,922**

(22) Filed: **Nov. 25, 2020**

(51) **LOC (13) Cl.** ..... **08-08**

(52) **U.S. Cl.**  
USPC ..... **D8/382**

(58) **Field of Classification Search**  
USPC ..... D8/63, 90, 91, 92, 93  
CPC .... B24B 3/54; B24B 3/36; B24B 3/58; B24B 3/00; B24B 23/08; B24B 15/00; B24B 15/06; B24B 15/063; B24B 15/08  
See application file for complete search history.

(56) **References Cited**

**U.S. PATENT DOCUMENTS**

D481,285 S	*	10/2003	Moeller	.....	D8/93
D575,125 S	*	8/2008	Smith	.....	D8/63
D587,550 S	*	3/2009	Smith	.....	D8/93
D641,225 S	*	7/2011	Friel, Sr.	.....	D8/93
D641,226 S	*	7/2011	Friel, Sr.	.....	D8/93

D685,622 S	*	7/2013	Jalet	.....	D8/93
D754,514 S	*	4/2016	Huber	.....	D8/93
D813,004 S	*	3/2018	Huber	.....	D8/93
D852,604 S	*	7/2019	Chalfant	.....	D8/93
D852,605 S	*	7/2019	Chalfant	.....	D8/93
D852,606 S	*	7/2019	Chalfant	.....	D8/93
D919,399 S	*	5/2021	Savchenko	.....	D8/93
2009/0209177 A1	*	8/2009	Walker	.....	B24B 3/54 451/369
2009/0298401 A1	*	12/2009	Smith	.....	B24D 15/081 451/349

\* cited by examiner

*Primary Examiner* — Philip S Hyder

(74) *Attorney, Agent, or Firm* — Georgi Korobanov

(57) **CLAIM**

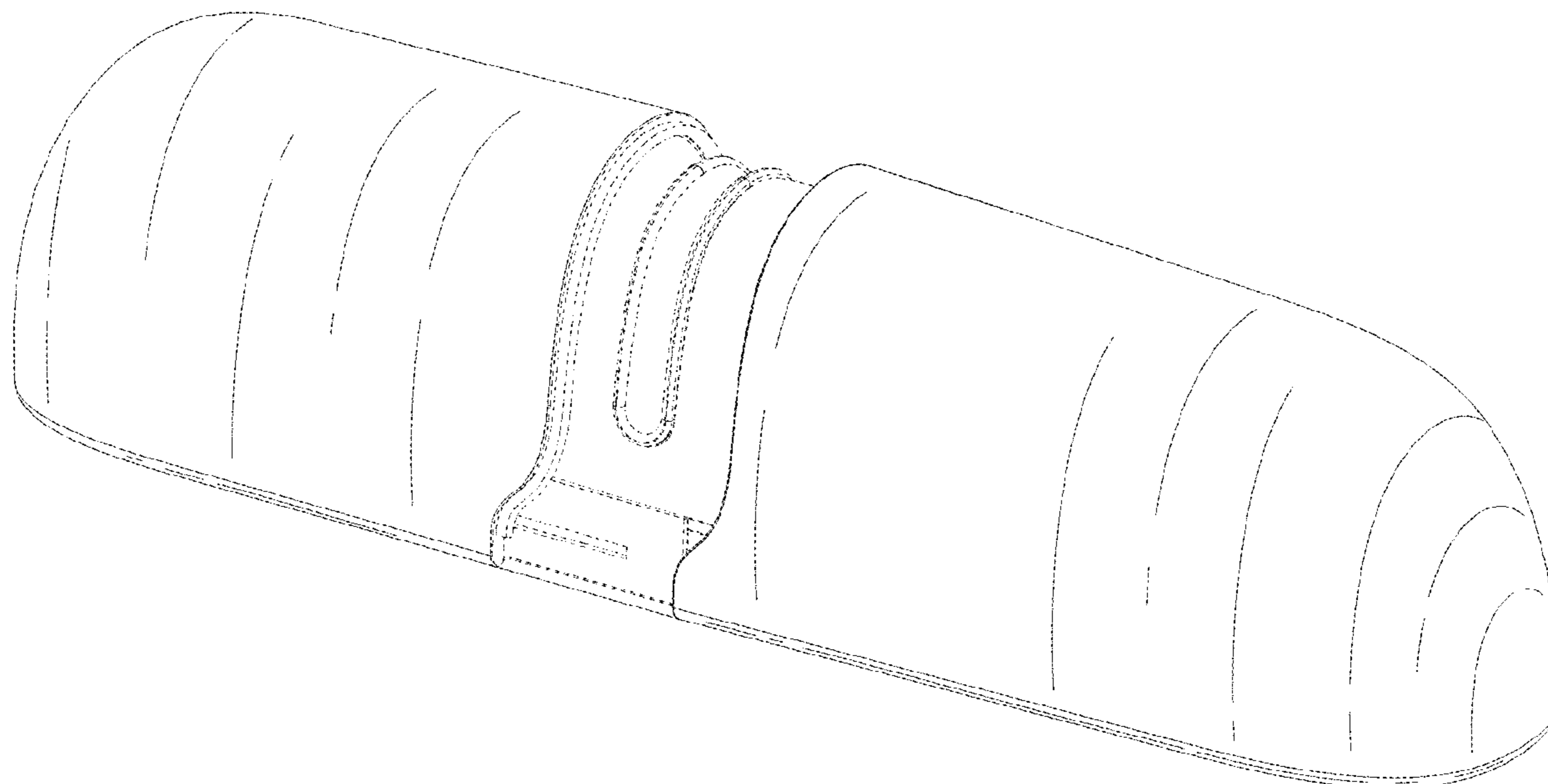
The ornamental design for knife sharpener, as shown and described.

**DESCRIPTION**

FIG. 1 is a front elevation view of a knife sharpener, showing my new design;  
FIG. 2 is a rear elevation view thereof;  
FIG. 3 is a left side elevation view thereof;  
FIG. 4 is a right side elevation view thereof;  
FIG. 5 is a top plan view thereof;  
FIG. 6 is a bottom plan view thereof;  
FIG. 7 is a perspective view thereof; and,  
FIG. 8 is a perspective view thereof, shown in the open position.

The broken lines in FIG. 8 depict portions of the knife sharpener that form no part of the claimed design.

**1 Claim, 8 Drawing Sheets**



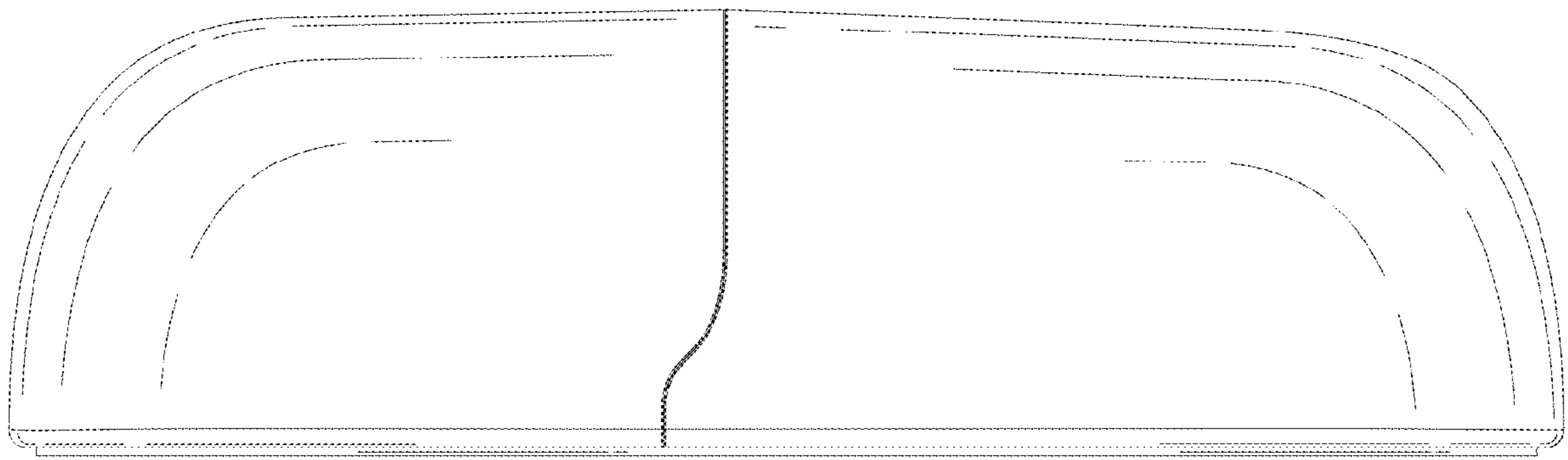


FIG. 1

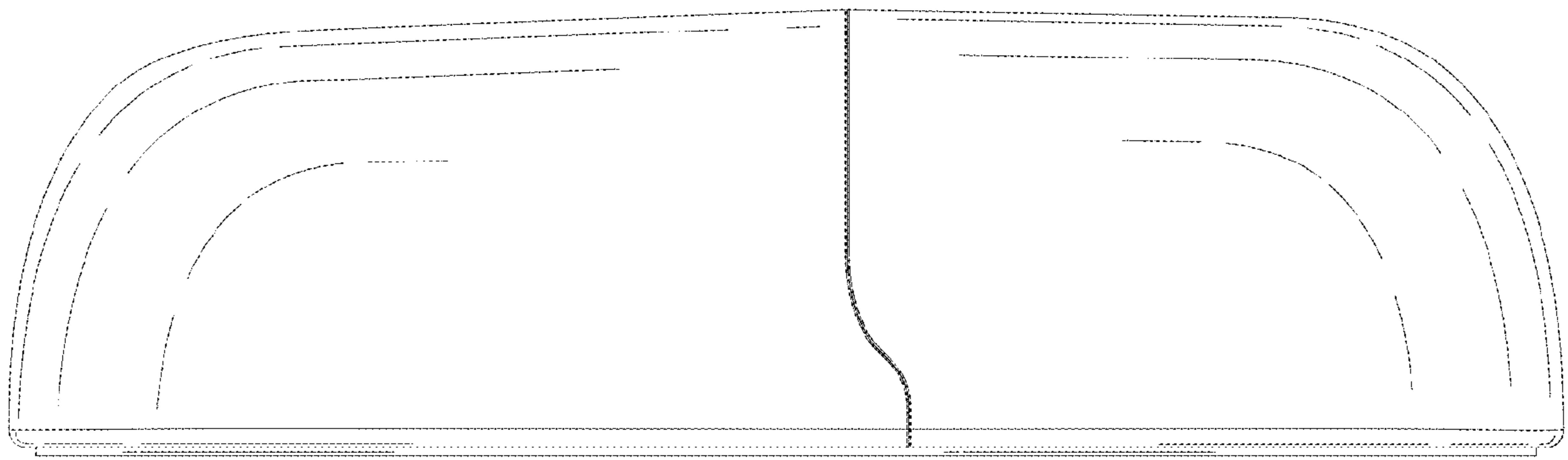


FIG. 2

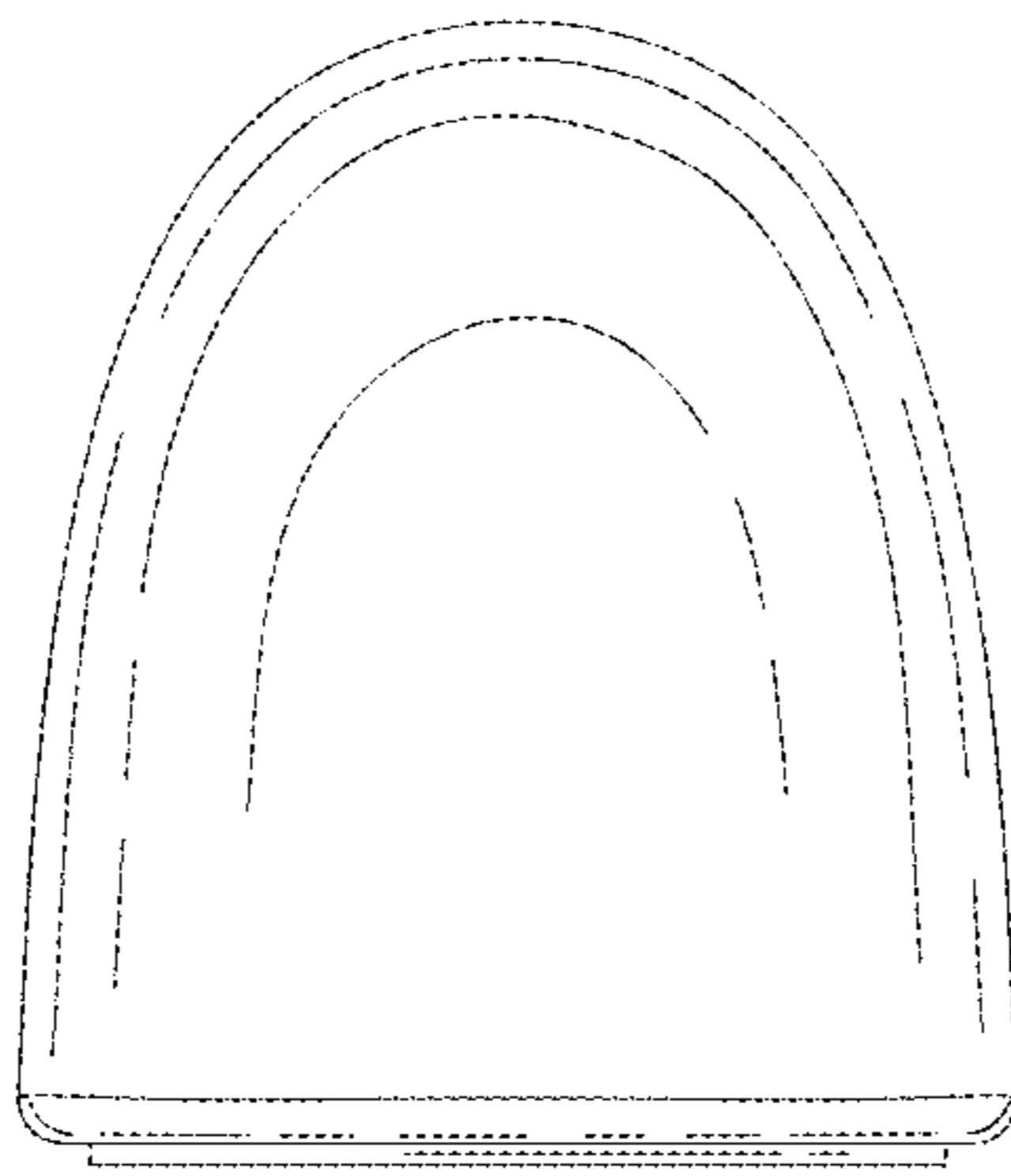


FIG. 3

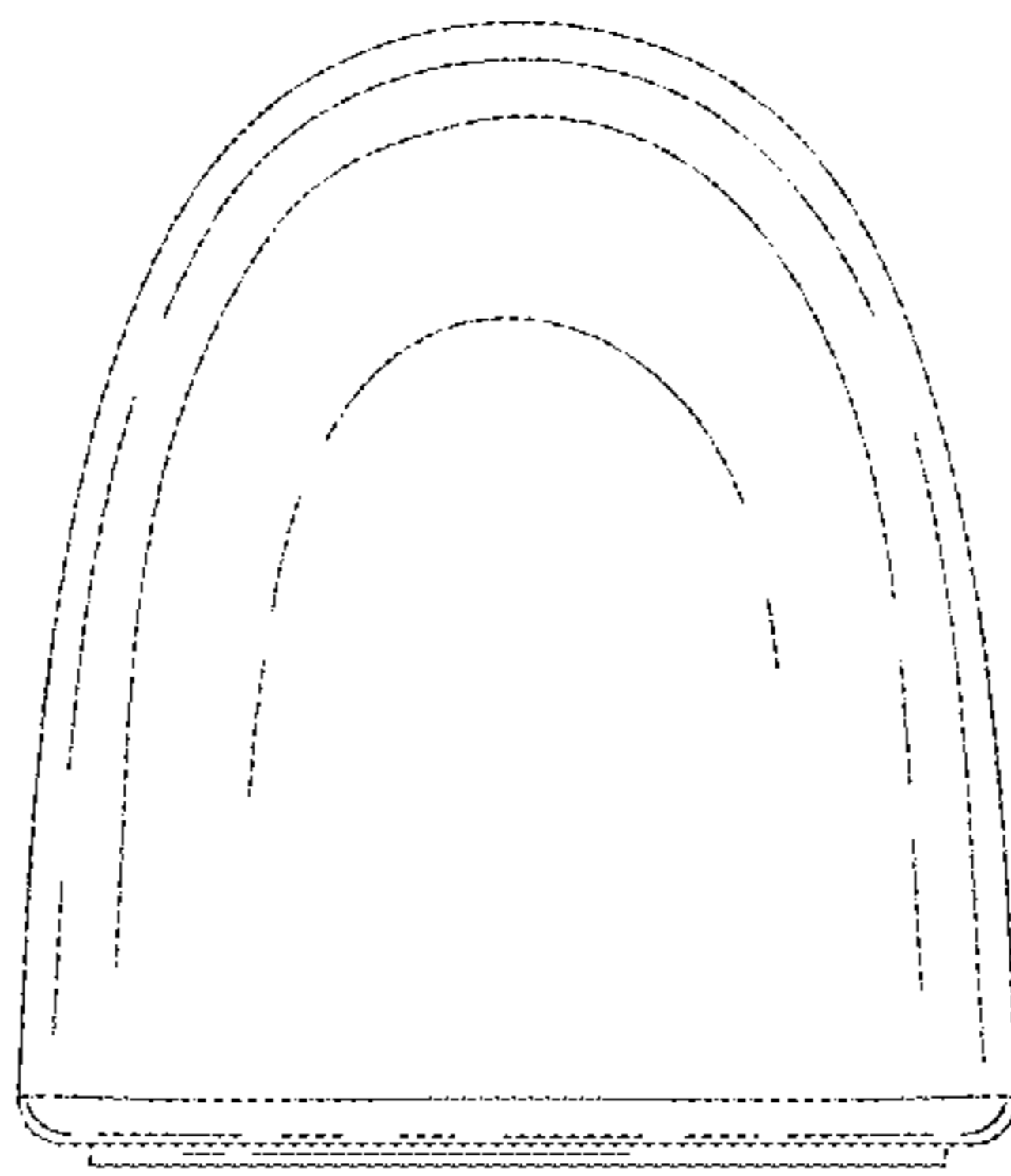


FIG. 4

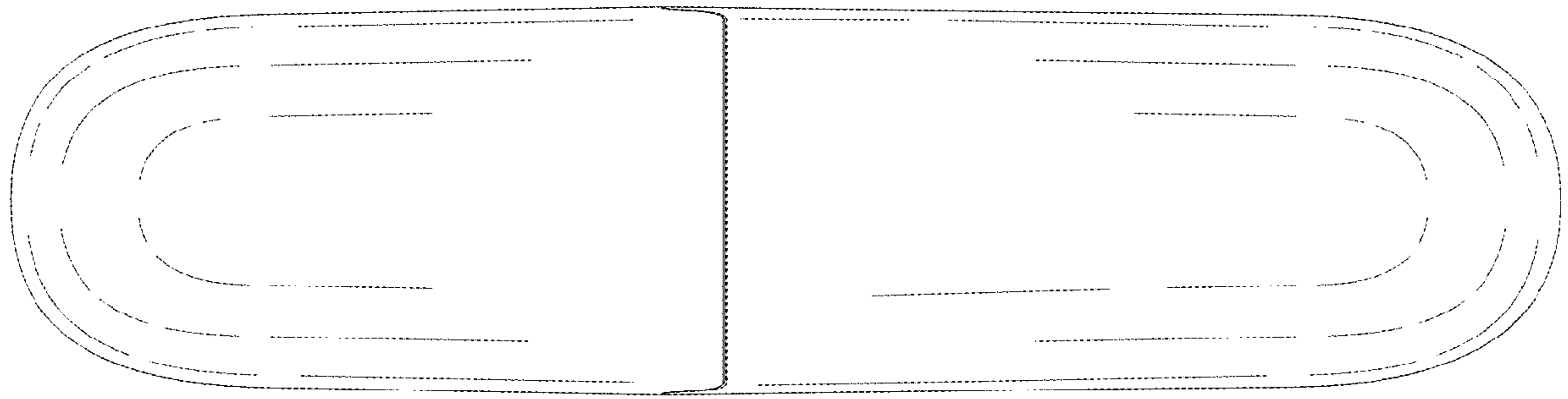


FIG. 5

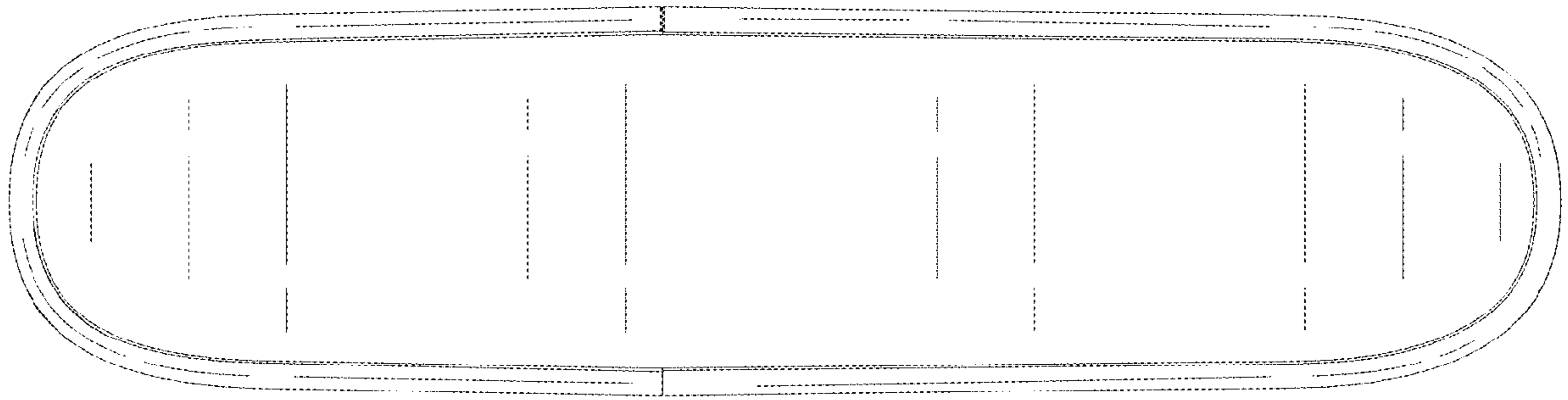


FIG. 6

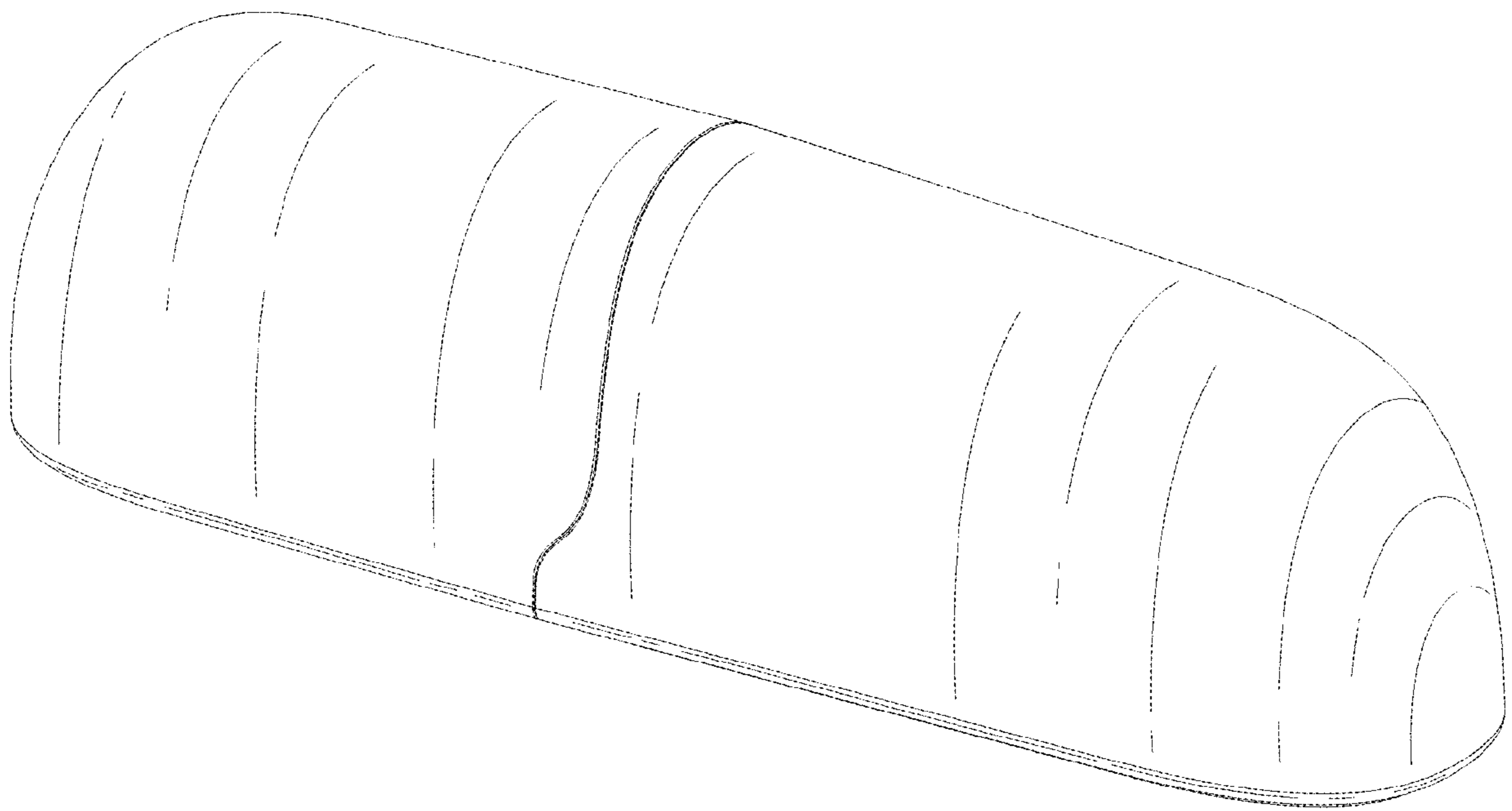


FIG. 7



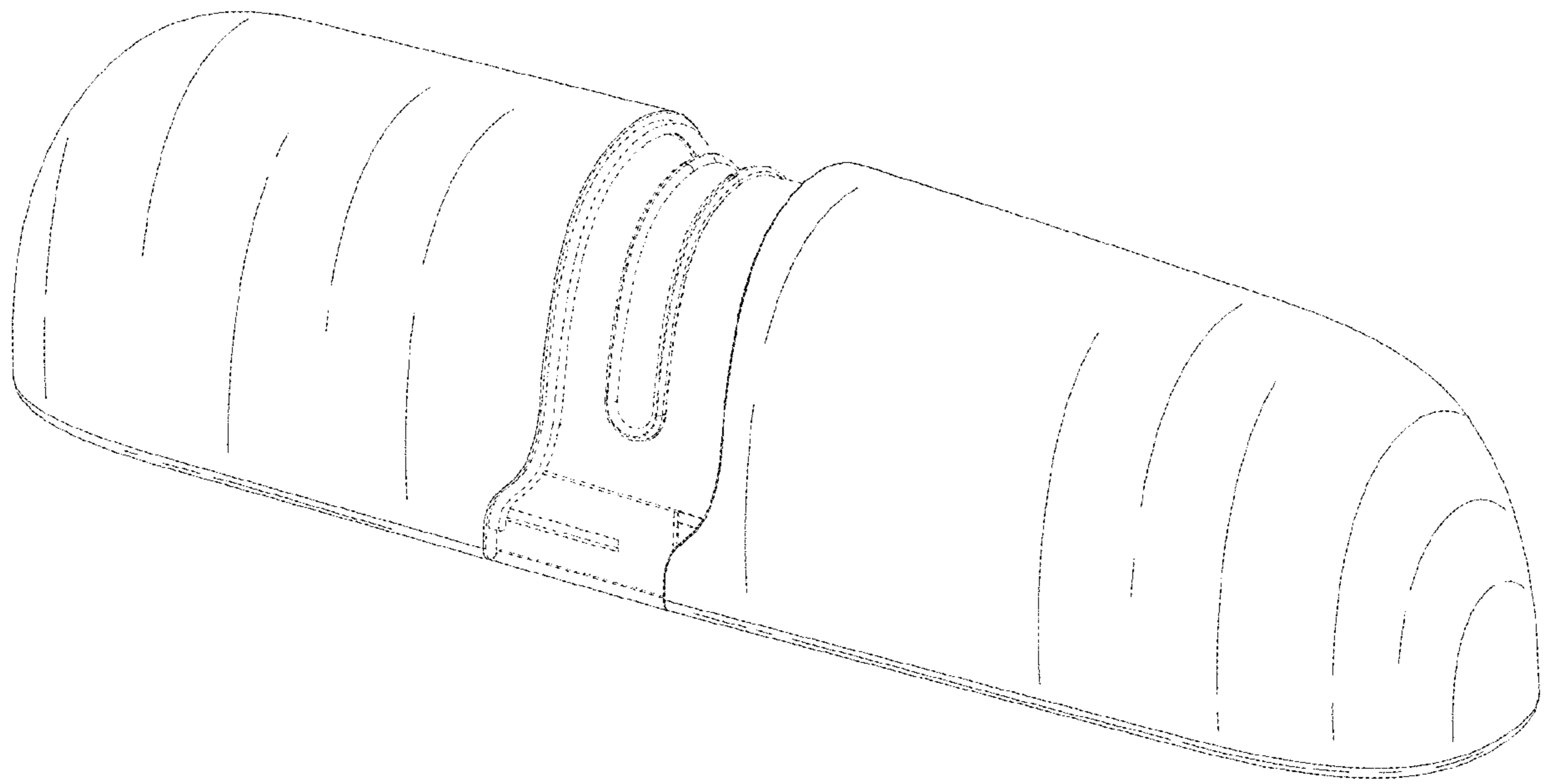


FIG. 8