



US00D960697S

(12) **United States Design Patent**
Baur et al.

(10) **Patent No.:** **US D960,697 S**

(45) **Date of Patent:** **** Aug. 16, 2022**

(54) **CONNECTING DEVICE**

(71) Applicants: **Lamello AG**, Bubendorf (CH); **Franz Baur**, Oberstaufen (DE); **Franz Josef Haser**, Oberstaufen (DE)

(72) Inventors: **Franz Baur**, Oberstaufen (DE); **Franz Josef Haser**, Oberstaufen (DE); **Philipp Seiler**, Arboldswil (CH); **Patrick Jeker**, Brislach (CH)

(73) Assignees: **Franz Baur**, Oberstaufen (DE); **Franz Josef Haser**, Oberstaufen (DE); **Lamello AG**, Bubendorf (CH)

(**) Term: **15 Years**

(21) Appl. No.: **29/607,477**

(22) Filed: **Jun. 13, 2017**

(30) **Foreign Application Priority Data**

Dec. 14, 2016 (EM) 003517234

(51) **LOC (13) Cl.** **08-08**

(52) **U.S. Cl.**
USPC **D8/382**

(58) **Field of Classification Search**
USPC D8/382, 349, 354; D6/328, 329, 703, D6/572, 622, 702, 705
CPC F16B 3/00; F16B 12/22; F16B 5/02; F16B 12/16; F16B 12/2063; F16B 12/20; F16B 12/24; F16B 12/125; F16B 2012/145; F16B 21/09; A47B 2230/00; A47B 47/04; A47B 2230/0077; A47B 2230/0081
See application file for complete search history.

(56) **References Cited**

U.S. PATENT DOCUMENTS

1,338,202 A 4/1920 White
3,279,830 A 10/1966 Strom

(Continued)

FOREIGN PATENT DOCUMENTS

DE 964 722 B 5/1957
DE 964 722 C 5/1957

(Continued)

OTHER PUBLICATIONS

LeichtenMuellerPeter, Connection System For Connecting Two Components By Connection Medium, Has Connection Medium With Housing, Where Housing Is Provided With Radial Screw Channel, Google Patents Translation of DE102008056027A1 (Year: 2010).

Primary Examiner — Sheryl Lane

Assistant Examiner — Ieisha N Price

(74) *Attorney, Agent, or Firm* — Aslan Law, P.C.

(57) **CLAIM**

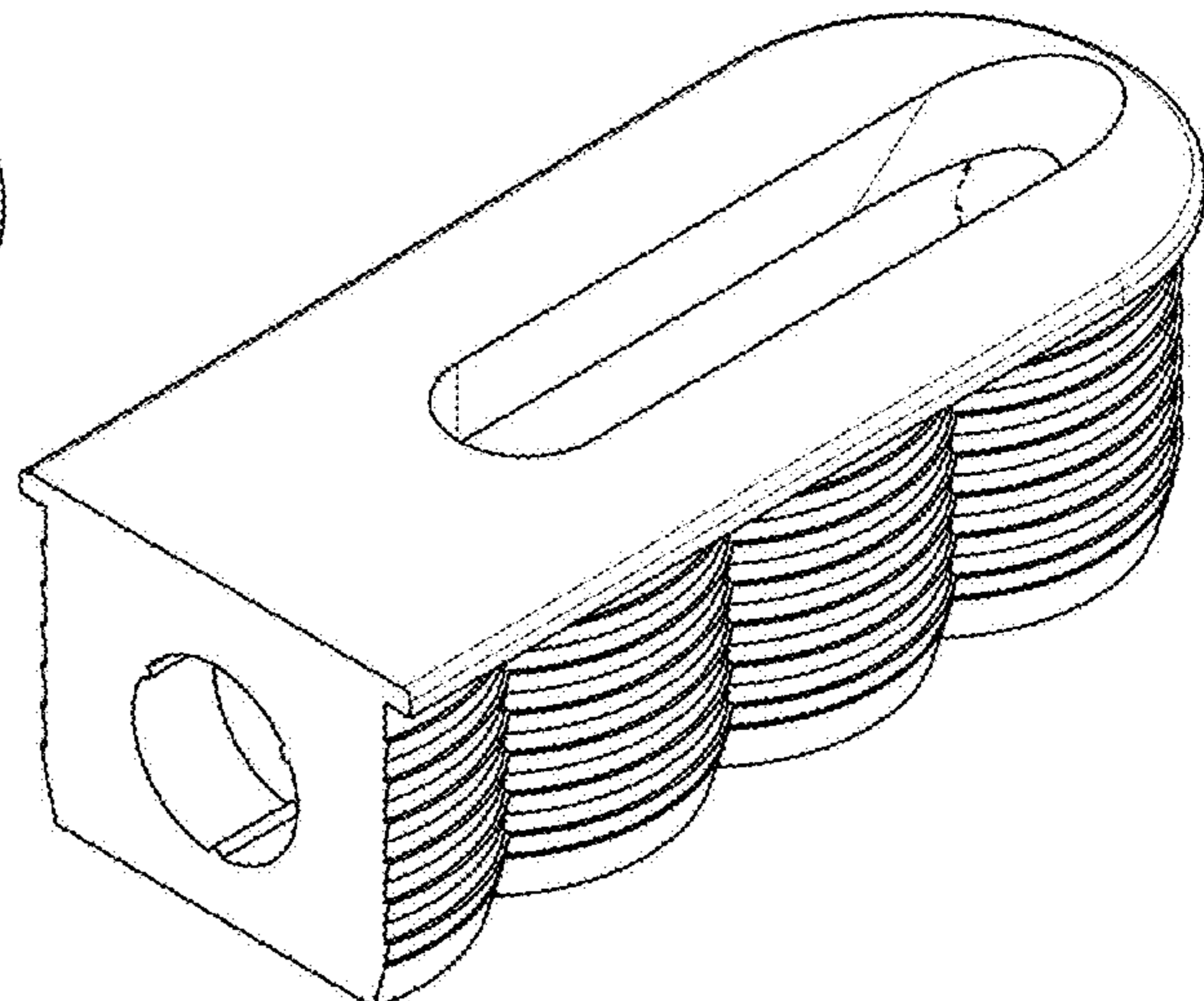
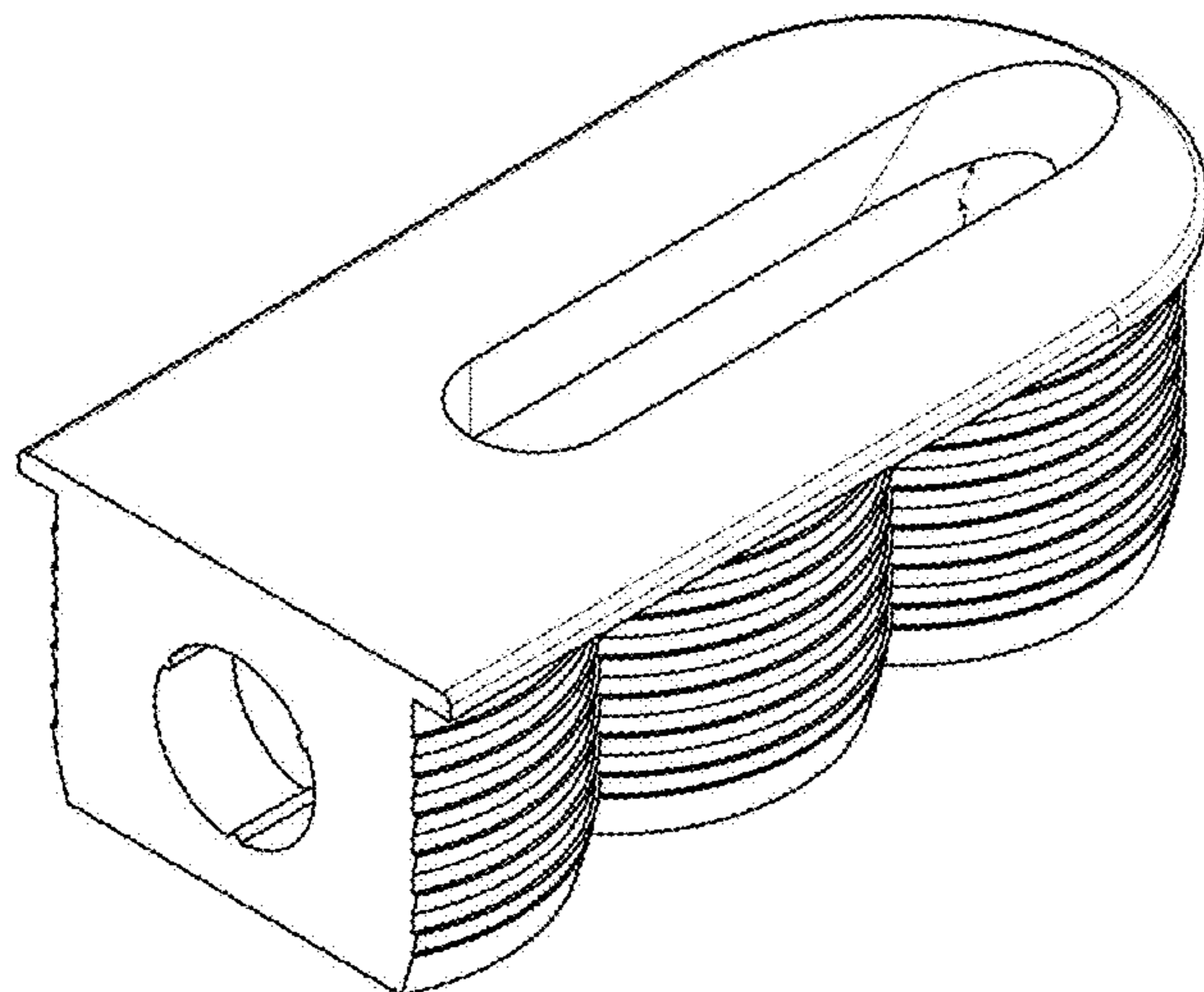
The ornamental design for a connecting device, as shown and described.

DESCRIPTION

FIG. 1 is a perspective view of a first embodiment of a connecting device showing our new design;
FIG. 2 is a front view thereof;
FIG. 3 is a left side view thereof;
FIG. 4 is a rear view thereof;
FIG. 5 is a right side view thereof;
FIG. 6 is a top plan view thereof;
FIG. 7 is a bottom plan view thereof;
FIG. 8 is a perspective view of a second embodiment of a connecting device showing our new design;
FIG. 9 is a front view thereof;
FIG. 10 is a left side view thereof;
FIG. 11 is a rear view thereof;
FIG. 12 is a right side view thereof;
FIG. 13 is a top plan view thereof; and,
FIG. 14 is a bottom plan view thereof.

The broken lines in the drawings illustrate portions of the connecting device and form no part of the claimed design.

1 Claim, 14 Drawing Sheets



(56)

References Cited

FOREIGN PATENT DOCUMENTS

U.S. PATENT DOCUMENTS

3,675,312 A 7/1972 Herman
 4,060,949 A 12/1977 Busse
 4,089,614 A 5/1978 Harley
 4,131,376 A 12/1978 Busse
 4,185,357 A 1/1980 Busse
 4,236,848 A 12/1980 Rock et al.
 4,353,663 A 10/1982 Glickman
 4,505,610 A 3/1985 Rock
 4,564,306 A 1/1986 Rock
 4,579,474 A 4/1986 Rock
 4,944,627 A 7/1990 Durney
 4,957,386 A 9/1990 Harley
 4,984,926 A 1/1991 Harley
 5,096,324 A 3/1992 Harley
 6,481,919 B2 11/2002 Marsh
 6,877,536 B2 4/2005 Durney
 7,159,288 B2 1/2007 Van De Loo
 D569,716 S * 5/2008 Kim D8/382
 7,975,444 B2 7/2011 Holdsworth
 8,562,239 B1 * 10/2013 Liu F16B 12/20
 403/252
 D696,574 S * 12/2013 Caterinacci D8/382
 D697,393 S * 1/2014 Sauer D8/382
 D711,727 S * 8/2014 Sauer D8/382
 8,938,857 B2 1/2015 Motosugi et al.
 D741,690 S * 10/2015 Collins, IV D8/354
 9,151,034 B2 10/2015 Jaeschke
 9,765,529 B2 * 9/2017 Porter E04F 13/0805
 10,100,862 B2 10/2018 Yang
 D834,395 S * 11/2018 Sawatski D8/323
 D878,903 S * 3/2020 Roskamp D8/349
 10,753,381 B2 8/2020 Grabher et al.
 D904,168 S * 12/2020 Bastian D8/349
 10,876,284 B2 12/2020 Knapp
 2002/0106241 A1 8/2002 March
 2005/0175405 A1 8/2005 Walz et al.
 2007/0199272 A1 * 8/2007 Qing F16B 12/24
 52/582.1
 2010/0202852 A1 * 8/2010 Krause F16B 12/2027
 411/272
 2011/0085853 A1 * 4/2011 Liu F16B 12/22
 403/381
 2011/0255915 A1 * 10/2011 Chen F16B 12/125
 403/381
 2012/0301217 A1 * 11/2012 Liu F16B 12/22
 403/287
 2014/0075882 A1 * 3/2014 Porter E04F 13/0816
 52/745.09
 2014/0205373 A1 * 7/2014 Andersson F16B 12/125
 403/364
 2015/0211567 A1 7/2015 Susnjara
 2016/0108945 A1 * 4/2016 Yang F16B 21/09
 403/359.6
 2017/0023041 A1 * 1/2017 Koelling F16B 12/20
 2017/0023043 A1 * 1/2017 Koelling F16B 12/22
 2018/0031019 A1 * 2/2018 Sjostedt F16B 12/22
 2018/0347608 A1 * 12/2018 Haser F16B 12/16
 2019/0211859 A1 * 7/2019 Liu F16B 12/125
 2020/0146447 A1 * 5/2020 Brendel A47B 88/50
 2020/0182278 A1 * 6/2020 Ellis F16B 21/073
 2021/0003159 A1 * 1/2021 Thomson F16B 12/22

DE 71 42 379 U 2/1972
 DE 2 044 096 A1 3/1972
 DE 25 48 527 A1 5/1977
 DE 2610200 A 9/1977
 DE 26 25 182 A1 12/1977
 DE 78 04 537 U1 8/1978
 DE 2855216 A1 7/1979
 DE 79 14 171 U1 3/1987
 DE 87 07 218 U1 8/1987
 DE 690 16 621 T2 2/1995
 DE 49902686-0001 10/1999
 DE 299 16 748 U1 1/2000
 DE 201 14 852 U1 1/2002
 DE 40304809-0005 10/2003
 DE 40304809-0010 10/2003
 DE 20 2004 000 473 U1 5/2004
 DE 40503372-0009 12/2005
 DE 20 2007 000 439 U1 6/2008
 DE 10 2008 056 027 A1 5/2010
 DE 202012004845 U1 6/2012
 DE 402014000058-0004 9/2014
 DE 402014000353-0001 2/2015
 DE 402014000353-0002 2/2015
 DE 402014002015-0010 9/2015
 DE 402014002015-0011 9/2015
 DE 20 2016 008 672 U1 1/2019
 EM 000268578-0003 3/2005
 EM 000374053-0001 8/2005
 EM 000521356-0001 6/2006
 EM 000579339-0001 10/2006
 EM 000914973-0001 5/2008
 EM 001205371-0001 4/2010
 EM 001205371-0002 4/2010
 EM 001747833-0002 8/2010
 EM 001805029-0003 6/2011
 EM 001805029-0004 6/2011
 EM 002250738-0001 6/2013
 EM 002333195-0003 10/2013
 EM 002364281-0004 12/2013
 EM 001400162-0001 1/2014
 EM 002460279-0001 5/2014
 EM 003237361-0001 7/2016
 EM 001135073-0003 7/2019
 EP 0 990 804 A1 4/2000
 EP 1001175 A2 5/2000
 EP 1 793 129 A1 6/2007
 EP 1892353 A1 2/2008
 FR 1 546 888 A 11/1968
 FR 2 333 991 A 7/1977
 FR 2 446 946 A 8/1980
 GB 1 368 905 A 10/1974
 GB 1 561 985 A 2/1977
 IR D084920-0001 12/2014
 JP 2001-73472 A 3/2001
 JP 2001-227515 A 8/2001
 JP 3119588 U 3/2006
 JP 3177219 U 7/2012
 KR 20-0181638 Y1 5/2000
 TR 2004/31406 4/2006
 WO WO 00/60244 A1 10/2000
 WO WO 2009146503 A1 12/2009
 WO WO 2014/005173 A1 1/2014

* cited by examiner

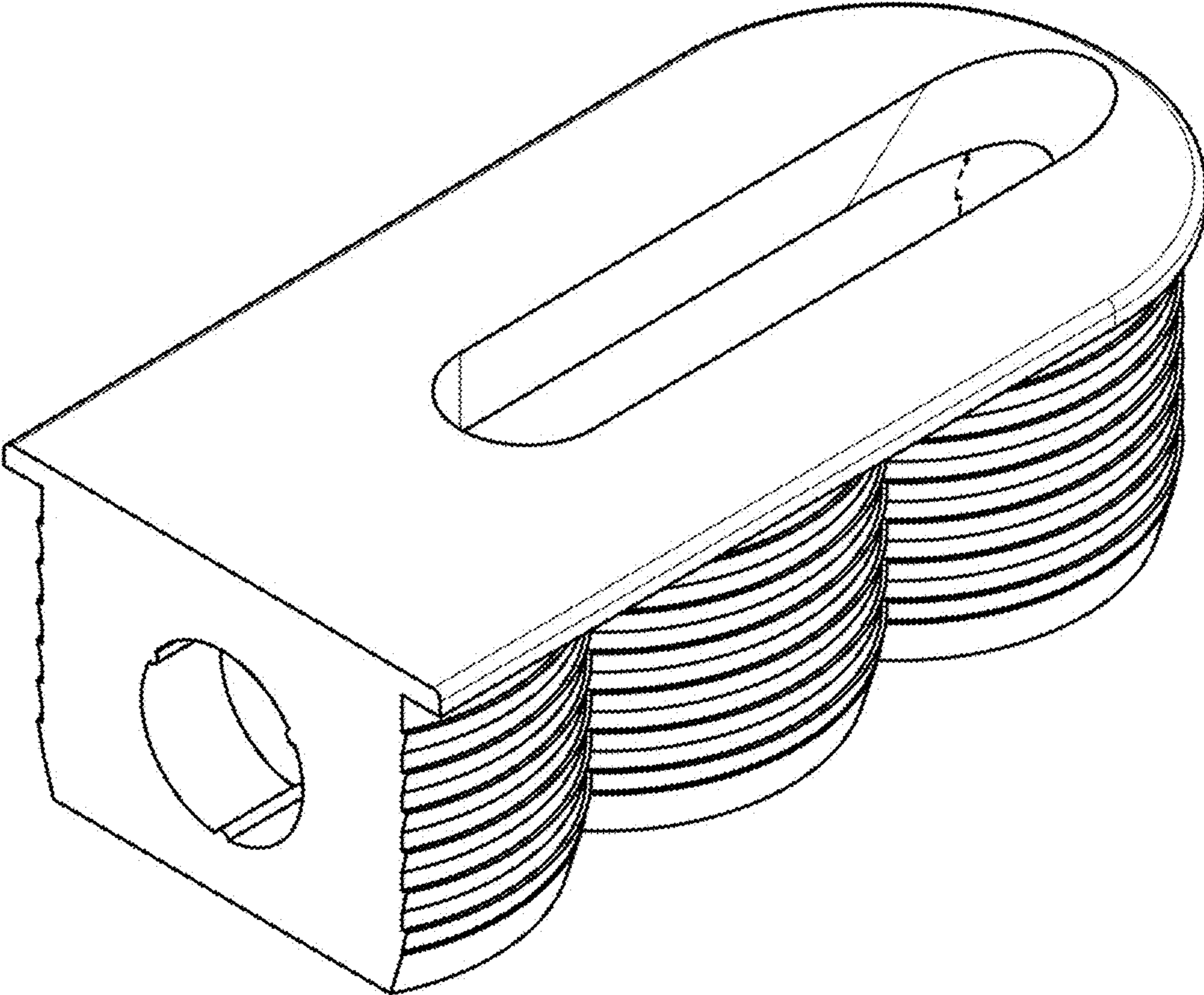


FIG.1

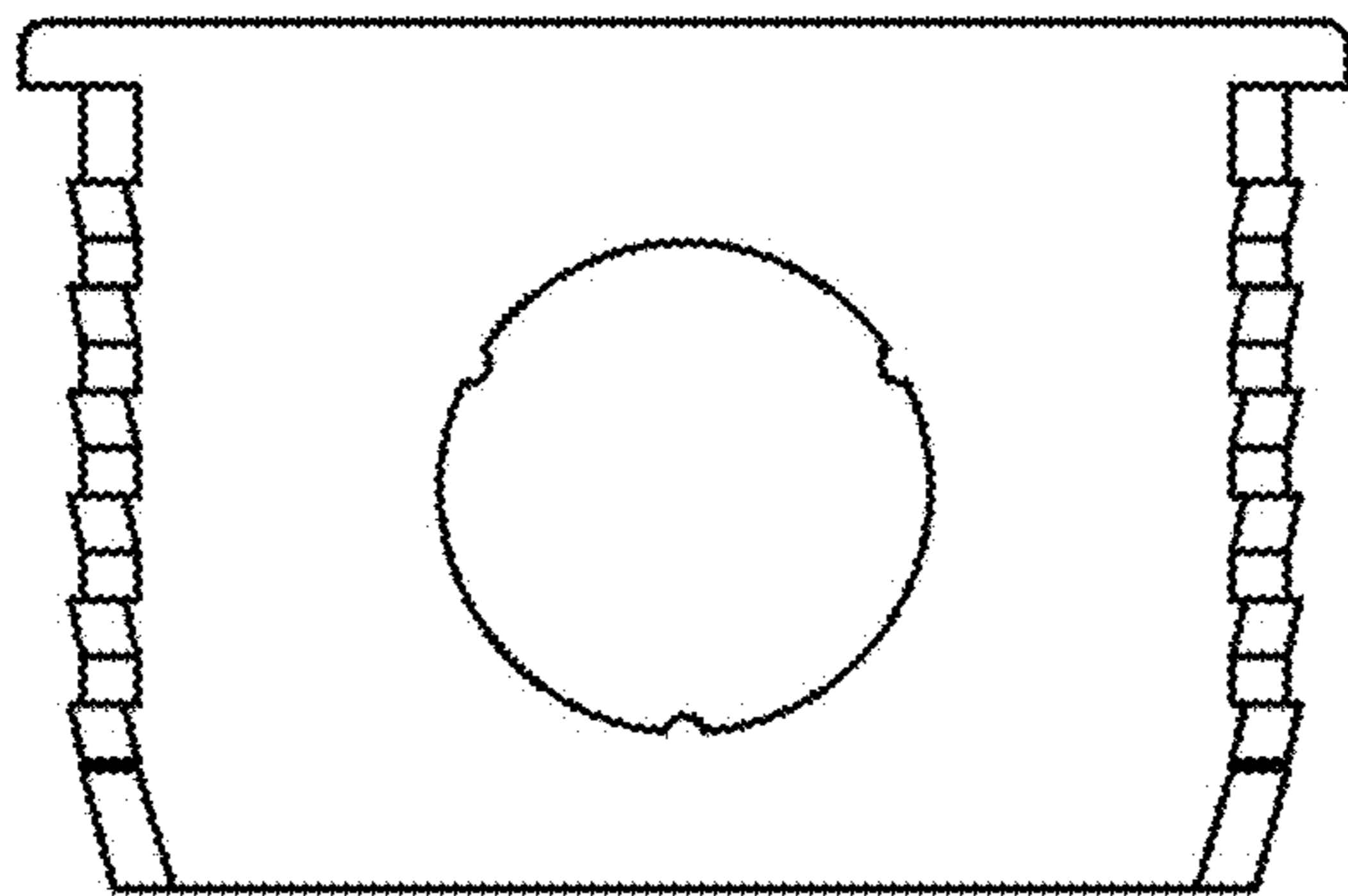


FIG. 2

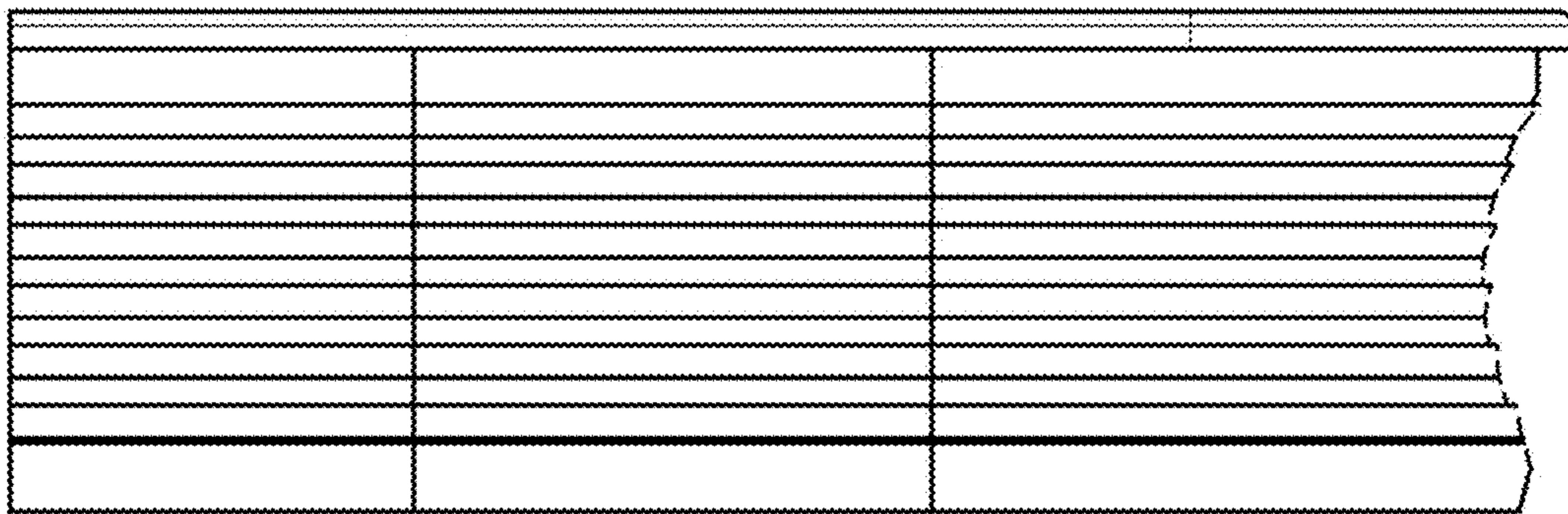


FIG.3

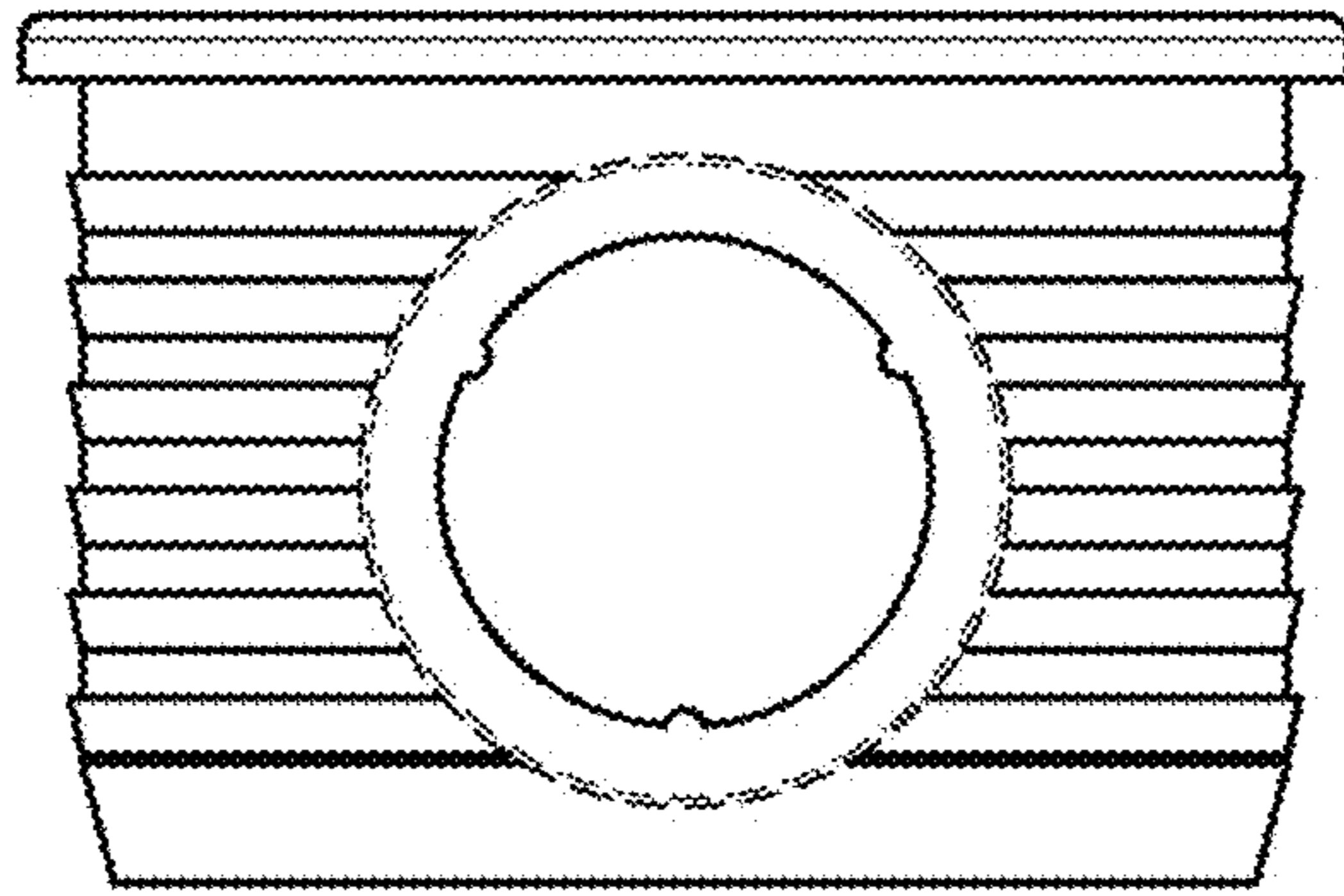


FIG. 4

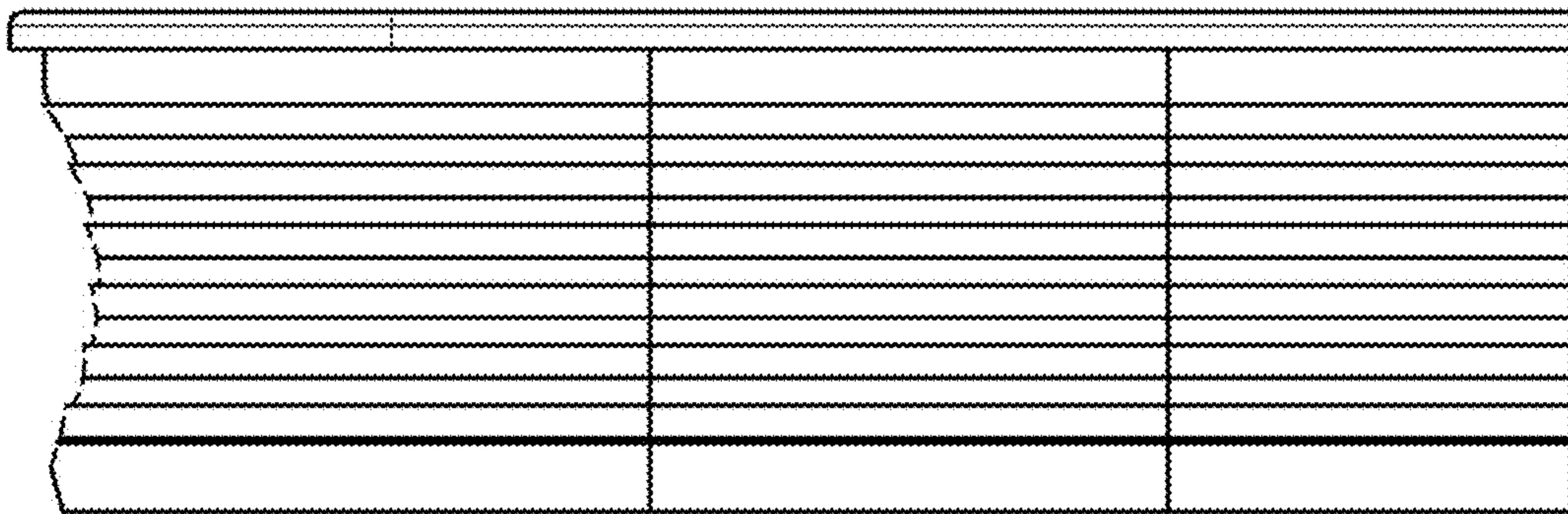


FIG.5

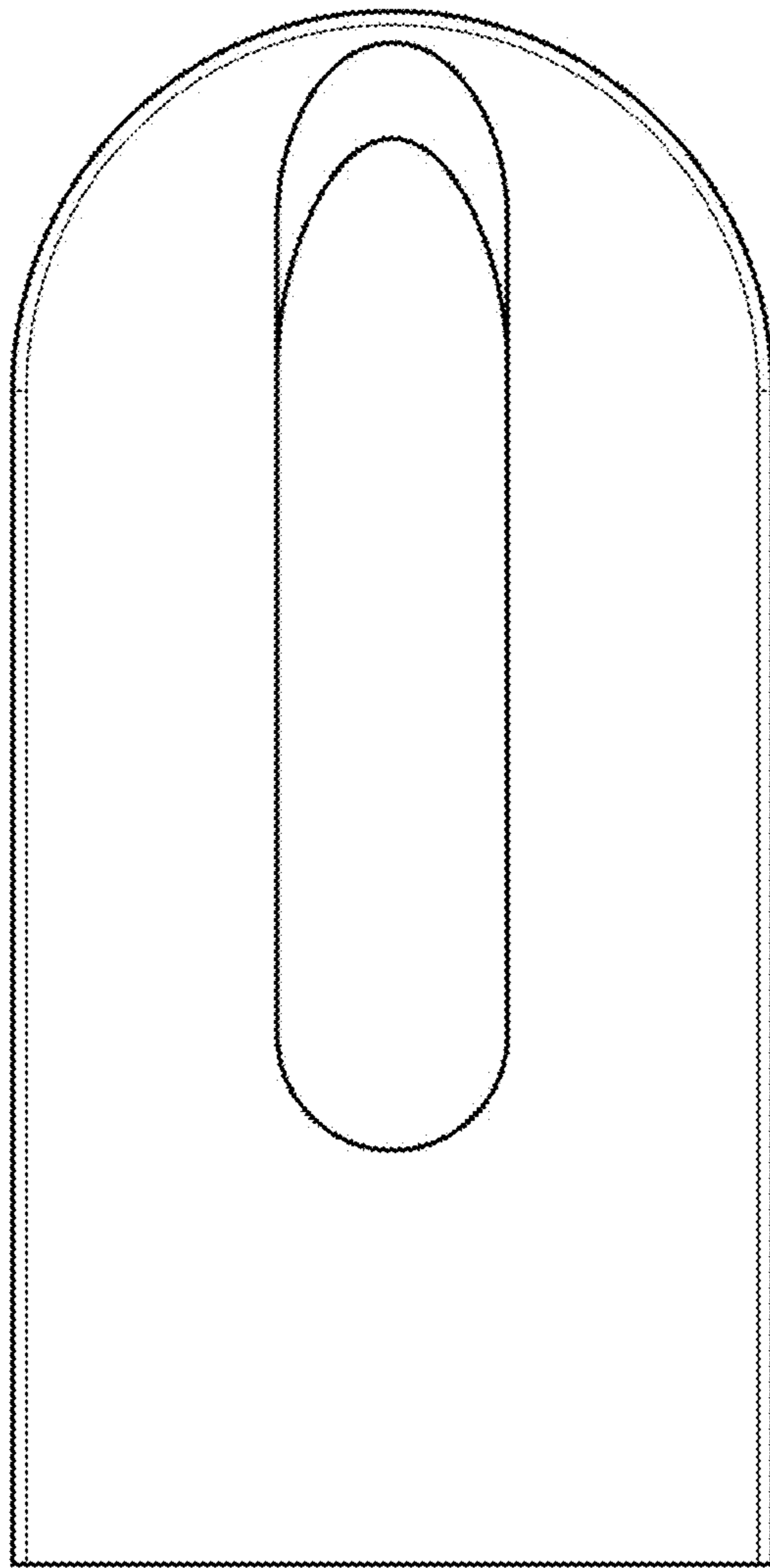


FIG.6

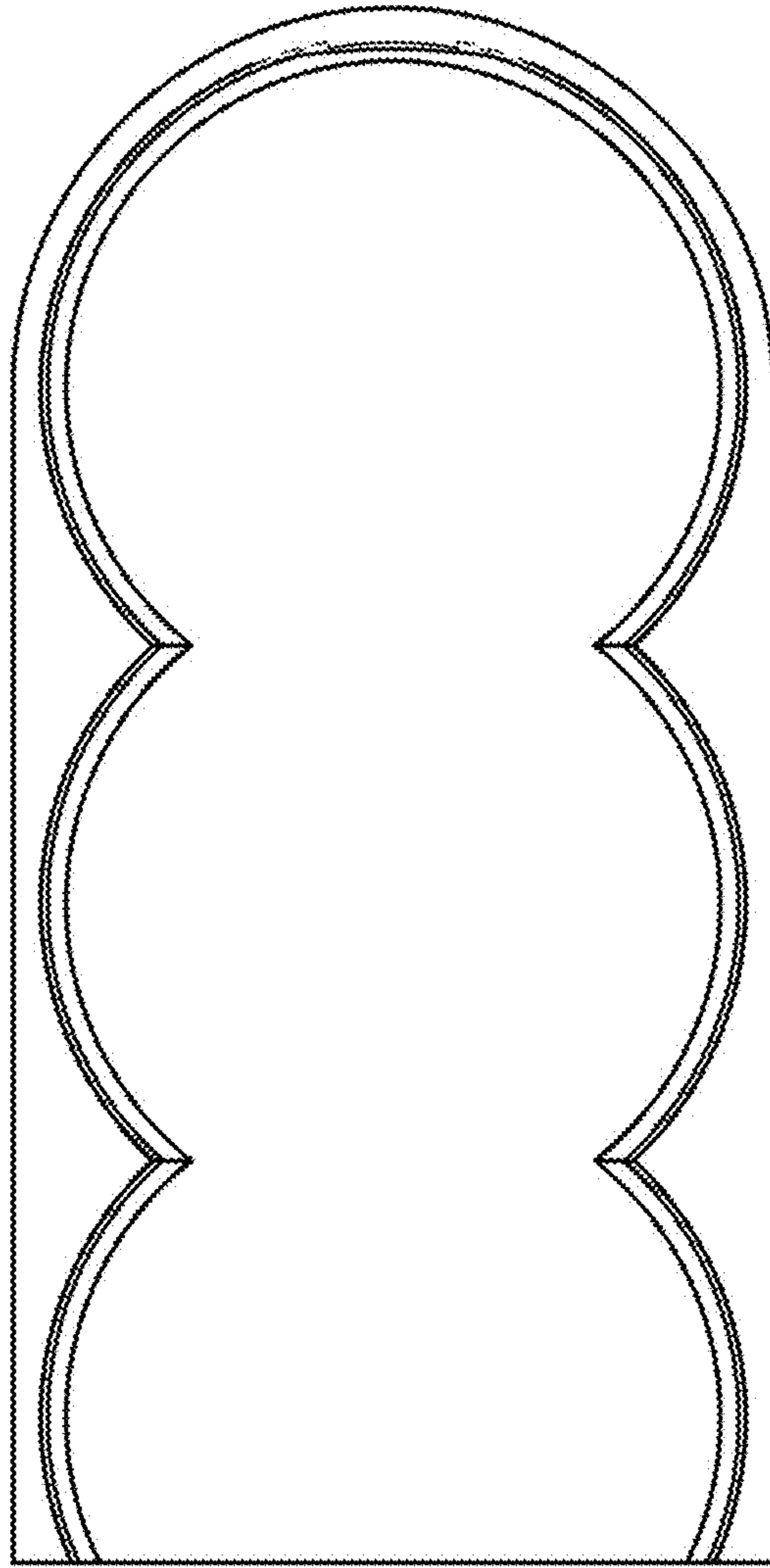


FIG.7

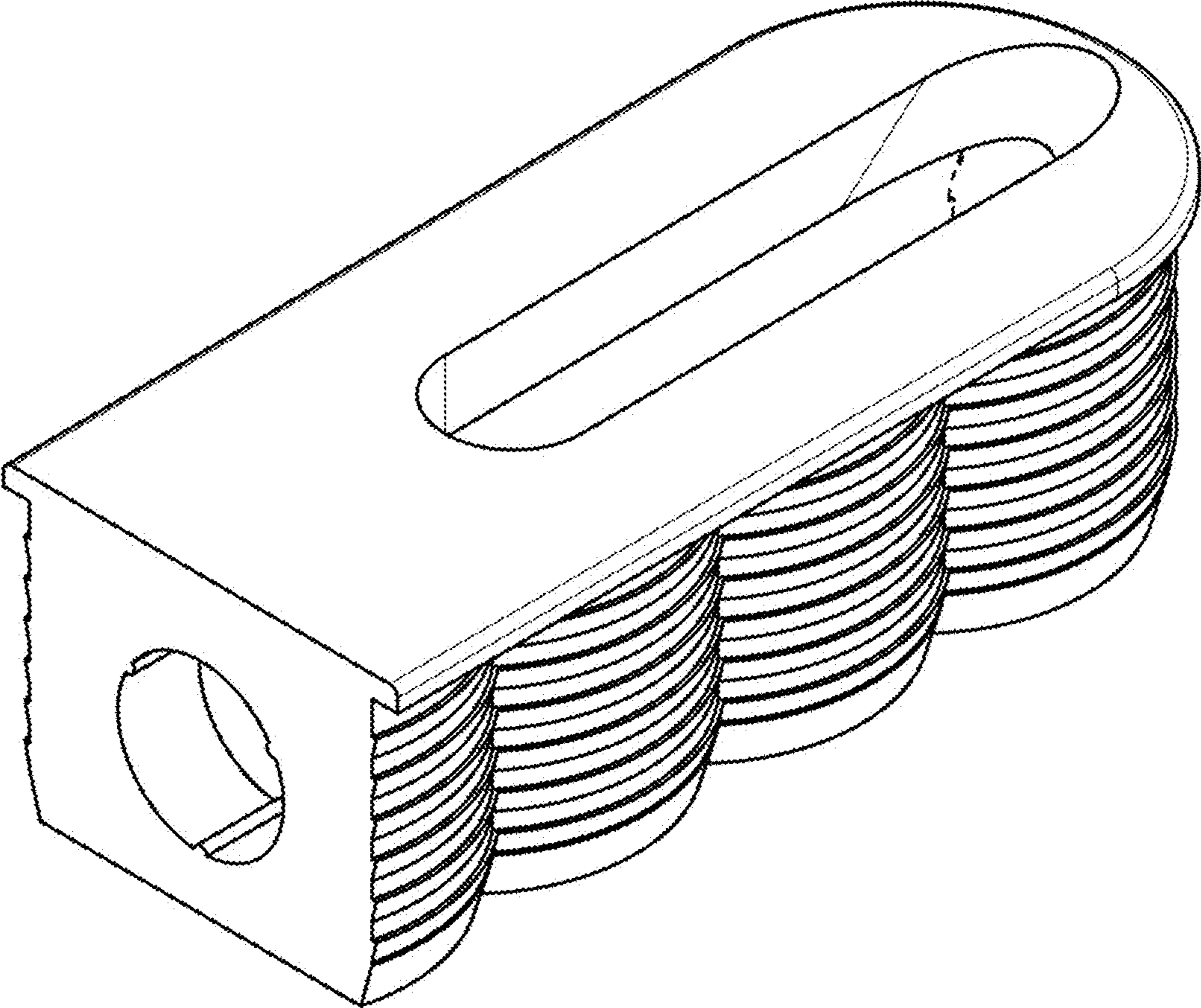


FIG.8

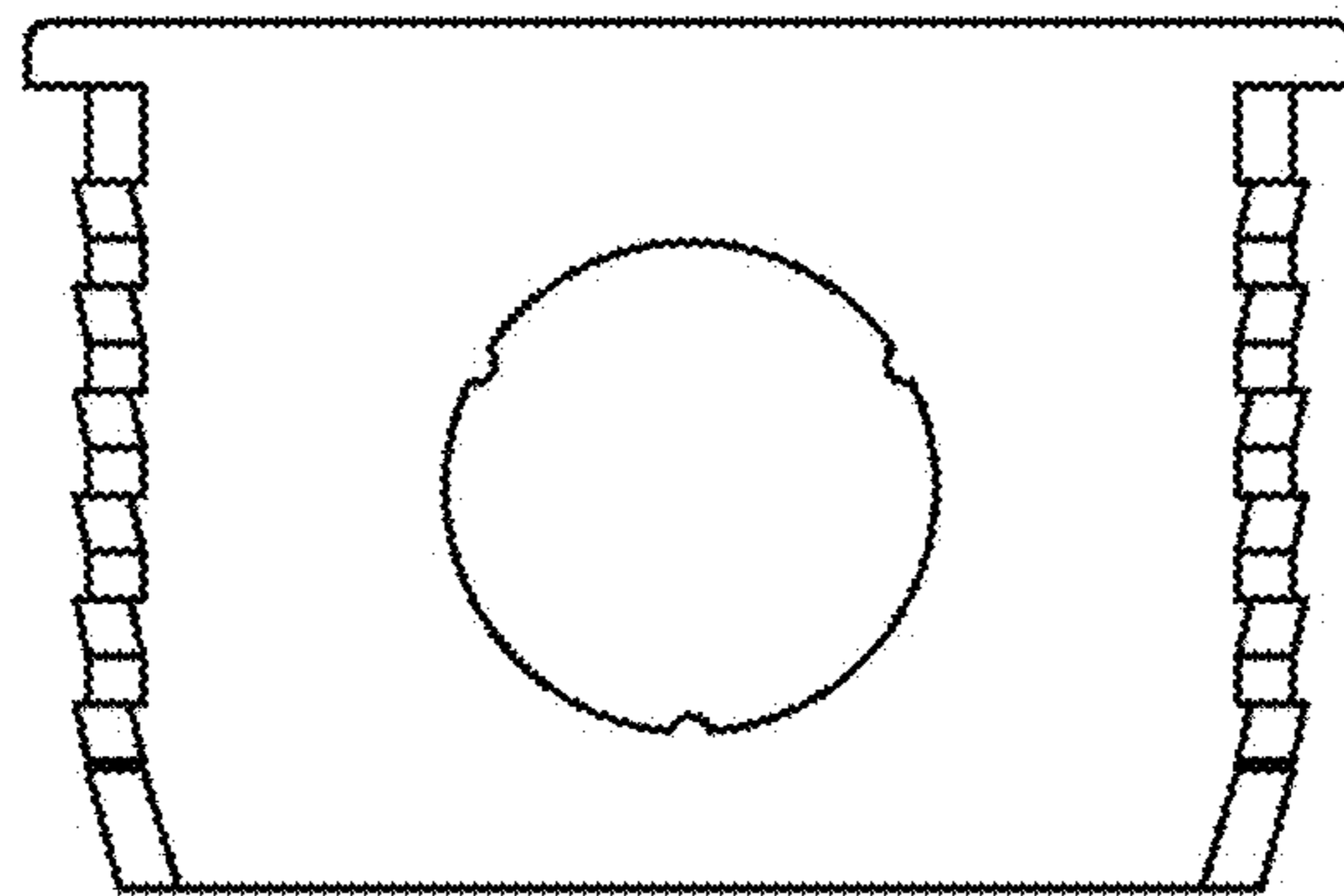


FIG.9

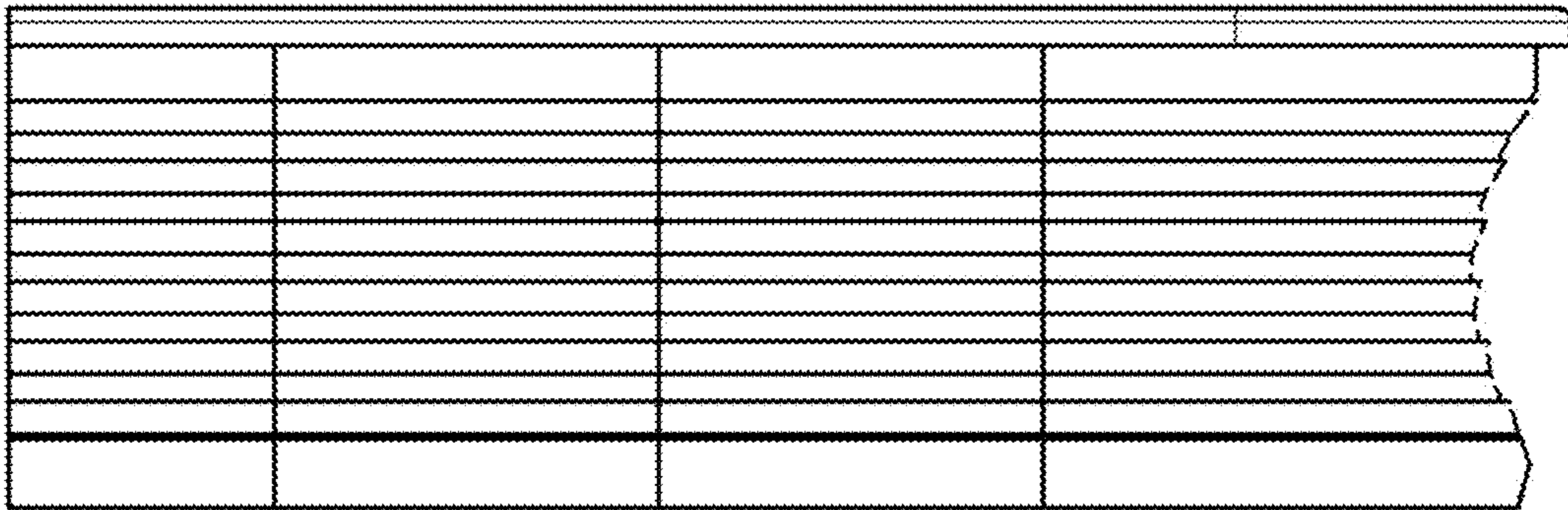


FIG.10

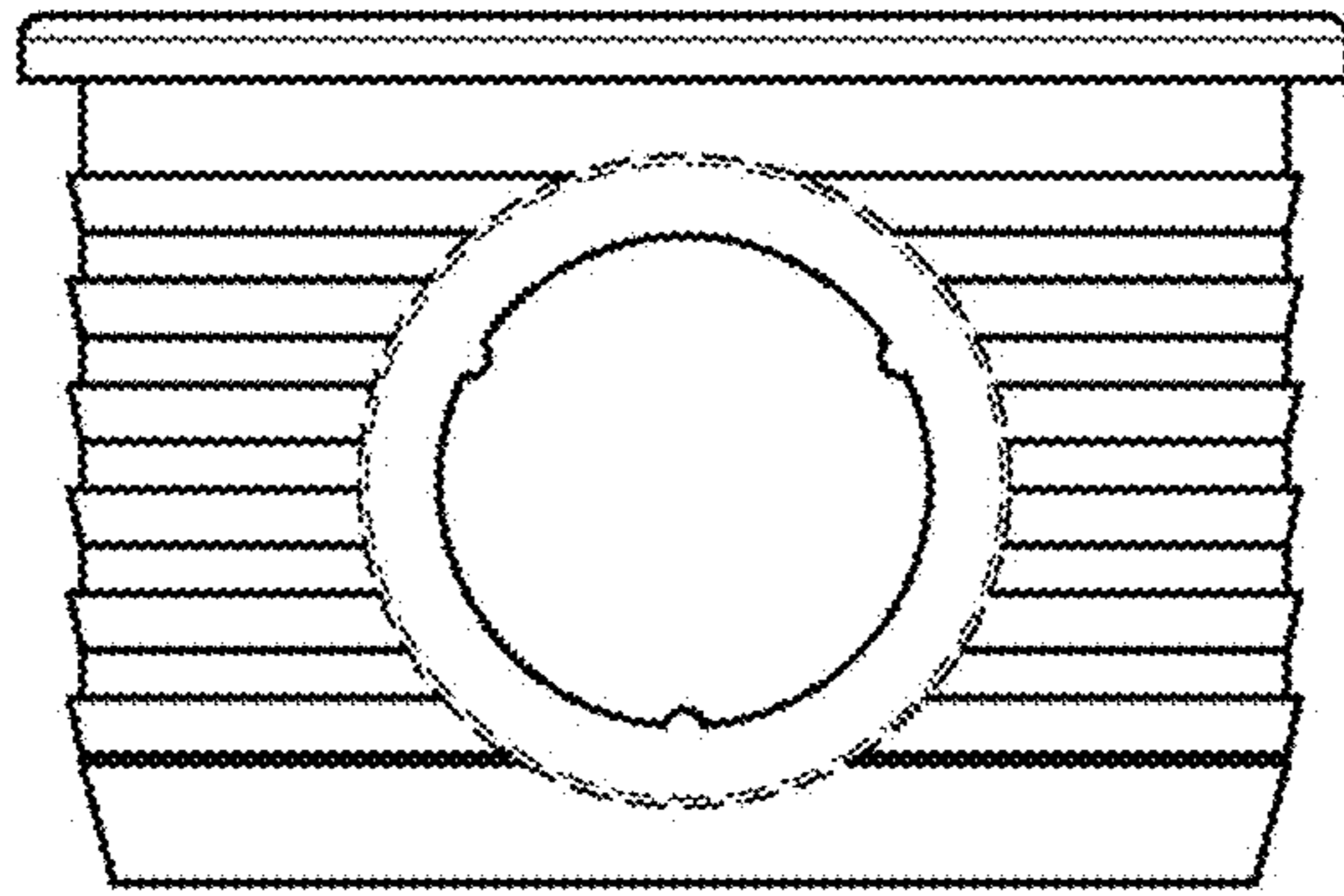


FIG. 11

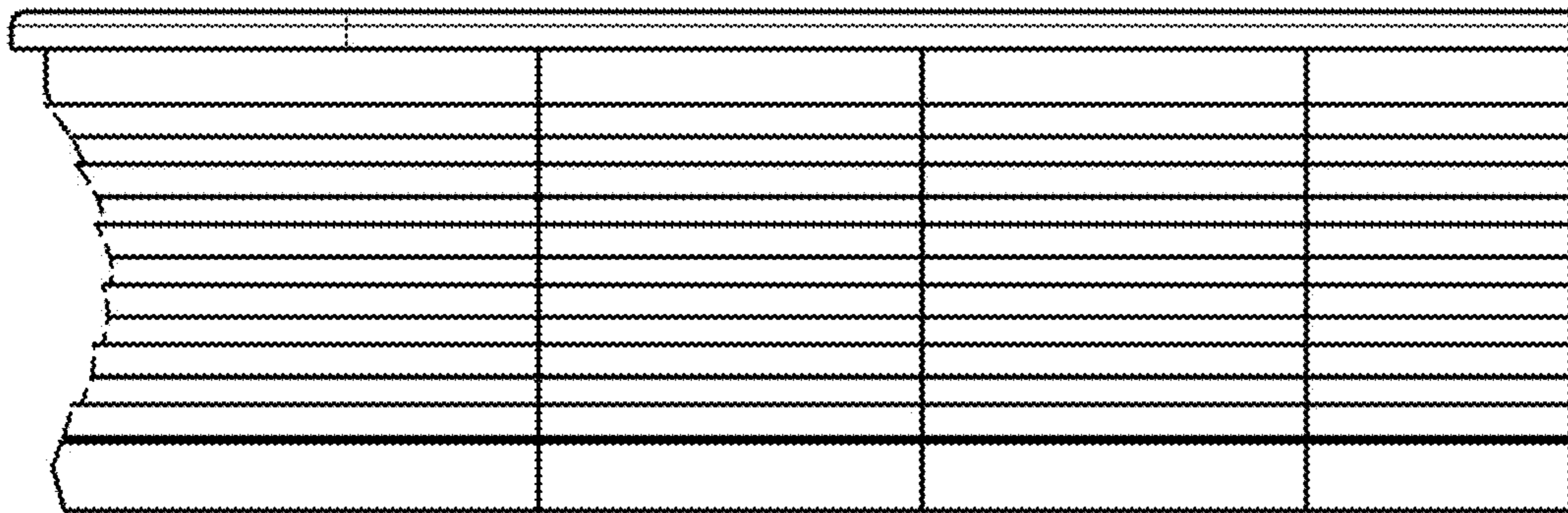


FIG.12

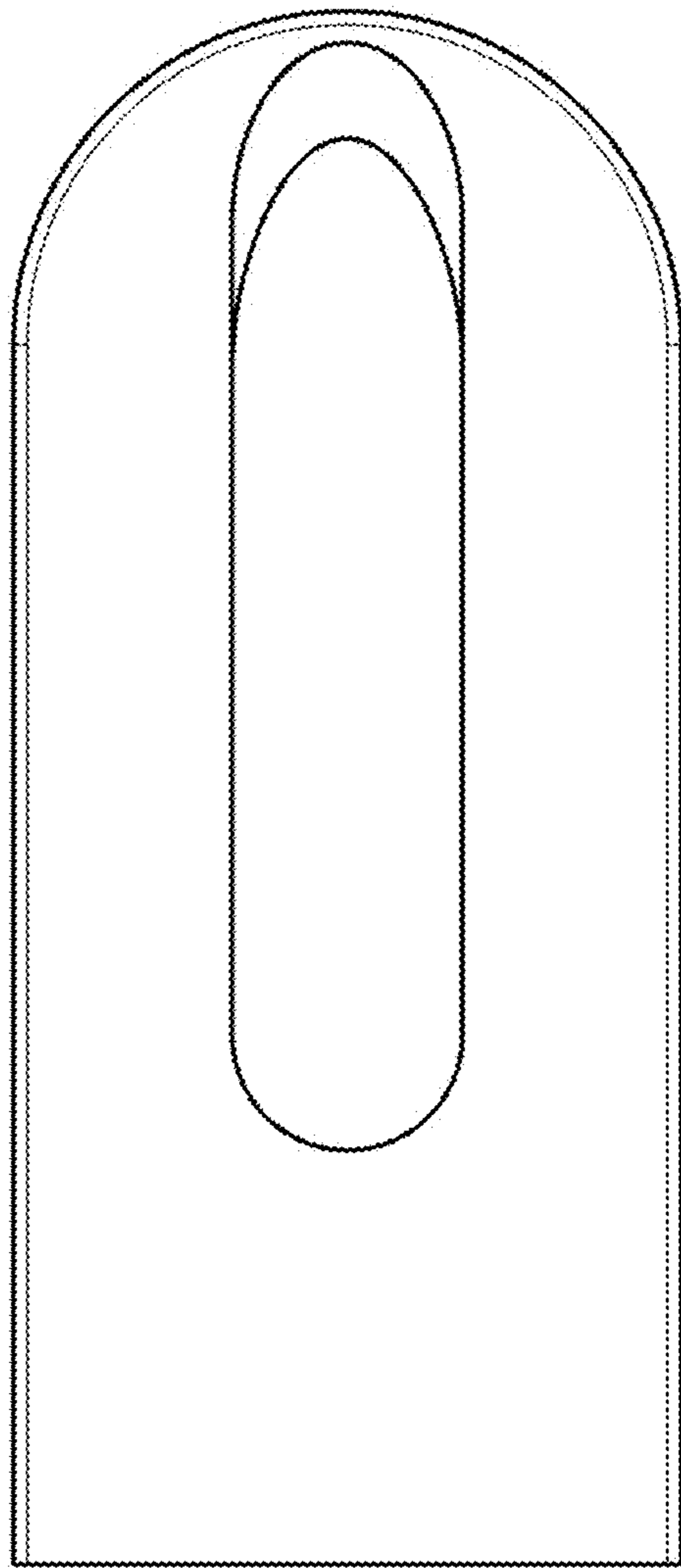


FIG.13

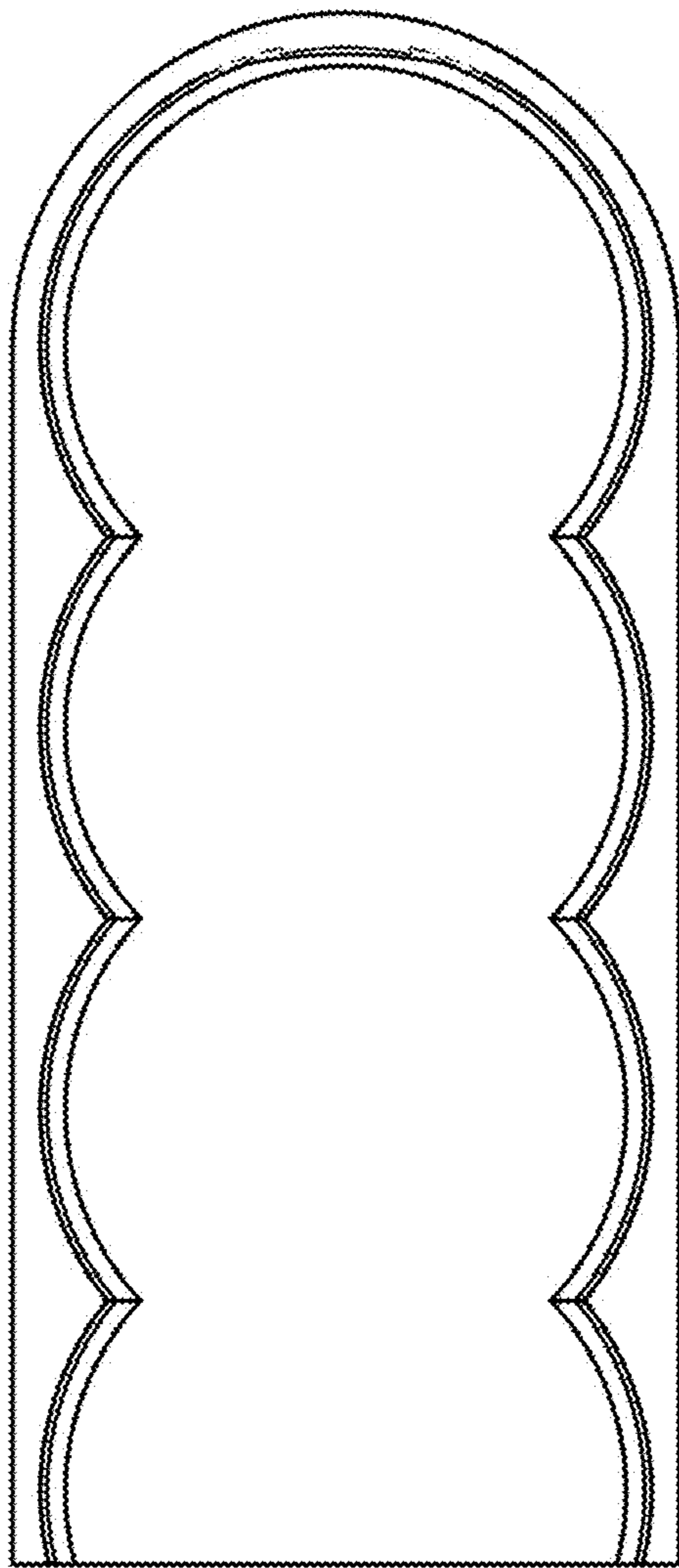


FIG.14