



US00D960696S

(12) **United States Design Patent**
Zerillo et al.

(10) **Patent No.:** **US D960,696 S**

(45) **Date of Patent:** **** Aug. 16, 2022**

(54) **CASE RUNNER**

(71) Applicant: **HANDY BUTTON MACHINE CO.,**
Wheeling, IL (US)

(72) Inventors: **Peter Joseph Zerillo**, Chicago, IL
(US); **Robert A. Moris**, New Lenox, IL
(US)

(73) Assignee: **HANDY BUTTON MACHINE CO.,**
Wheeling, IL (US)

(**) Term: **15 Years**

(21) Appl. No.: **29/709,323**

(22) Filed: **Oct. 14, 2019**

(51) **LOC (13) Cl.** **08-11**

(52) **U.S. Cl.**
USPC **D8/374**

(58) **Field of Classification Search**

USPC D8/354, 373-374, 363, 366, 376,
D8/380-381; D25/38.1, 43

CPC A47G 7/047; A47G 7/045; A47G 7/042;
A47G 7/044; A01G 9/024; A01G 25/14;
A01G 27/001; A01G 9/042; A01G
27/005; A01G 31/001; A01G 9/02; A01G
9/083; A01G 9/12; B65H 75/40; B65H
75/4407; B65H 75/4471; B65H 2701/34;
B65H 2701/32; B65H 2511/142; B65H
29/008; B65H 75/22; A47F 7/14; A47F
7/16; A47F 7/143; A47F 5/08; A47F
5/0807; A47F 5/0815; A47F 5/0838;
A47F 5/0846; A47F 5/0853; A47F 5/105;
E04F 11/1804; E04F 11/1808; E04F
11/1812

See application file for complete search history.

(56) **References Cited**

U.S. PATENT DOCUMENTS

D218,321 S * 8/1970 Vander Ley D8/374
D263,010 S * 2/1982 Marsh D8/374

D263,914 S * 4/1982 Litchfield D8/374
D264,292 S * 5/1982 Litchfield D8/374
D264,293 S * 5/1982 Litchfield D8/374
D270,413 S * 9/1983 Gutner D8/374
D272,593 S * 2/1984 Fort D25/58
D277,818 S * 3/1985 Spitz D8/374
D278,011 S * 3/1985 Spitz D8/374
RE32,134 E 5/1986 Gutner et al.
D287,556 S * 1/1987 Chien D8/374
5,306,080 A 4/1994 Lautenschlager et al.
D361,503 S * 8/1995 Hubbard D8/354
D377,750 S * 2/1997 Hubbard D8/354
D416,778 S * 11/1999 Pitcher D8/330

(Continued)

Primary Examiner — Karen S Acker

Assistant Examiner — Elizabeth S Ko

(74) *Attorney, Agent, or Firm* — Marshall, Gerstein &
Borun LLP

(57) **CLAIM**

The ornamental design for a case runner, as shown and described.

DESCRIPTION

FIG. 1 is a front and bottom perspective view of a case runner showing the new design;

FIG. 2 is an enlarged front view of the invention illustrated in FIG. 1, a rear view being identical;

FIG. 3 is an enlarged cross-sectional view taken along lines 3-3 of FIG. 5;

FIG. 4 is a bottom view of the invention illustrated in FIG. 1;

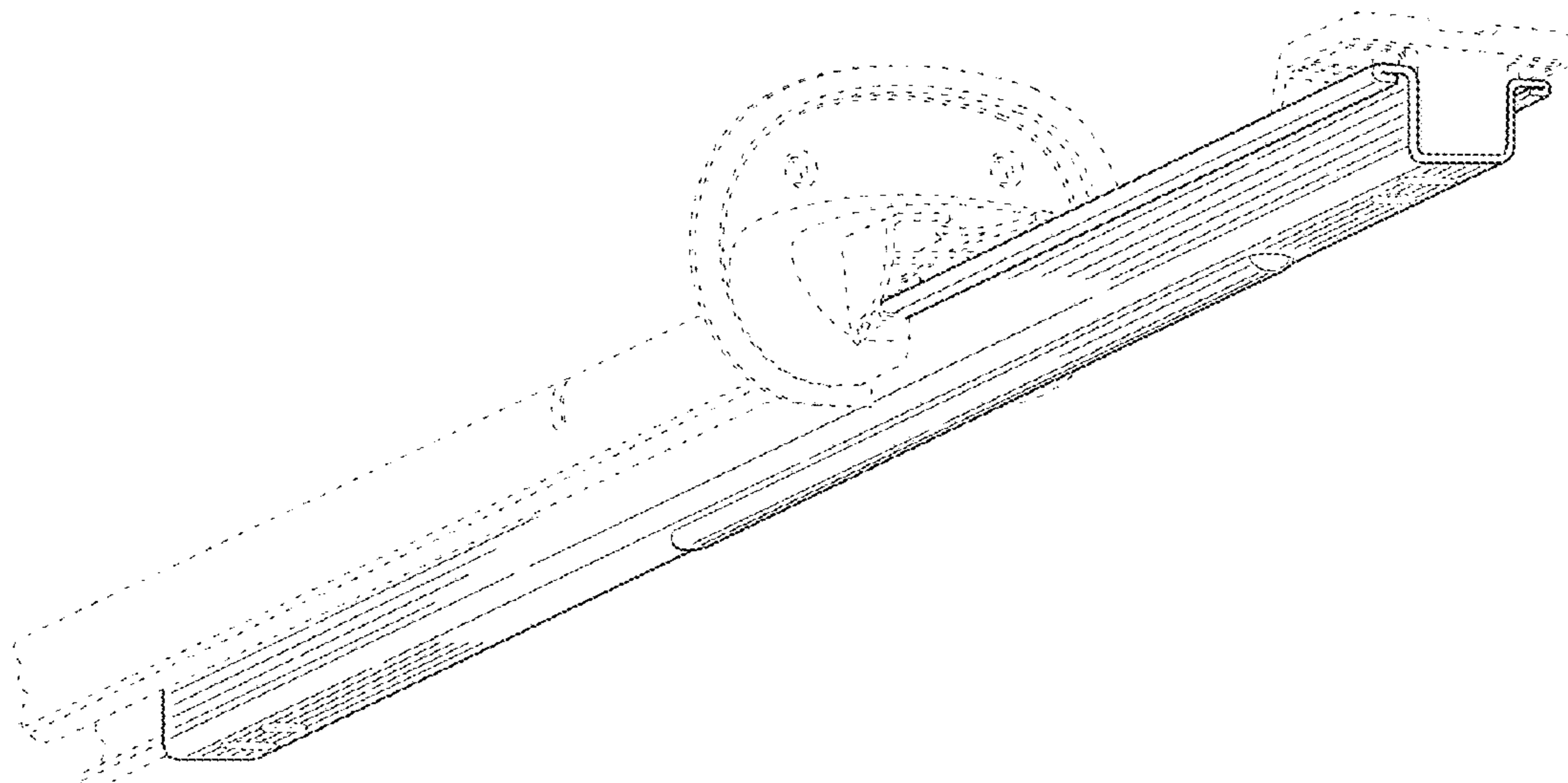
FIG. 5 is a left side view of the invention illustrated in FIG. 1

FIG. 6 is a top view of the invention illustrated in FIG. 1; and,

FIG. 7 is a right side view of the invention illustrated in FIG. 1.

The broken lines in the drawings depict portions of the case runner that form no part of the claimed design.

1 Claim, 4 Drawing Sheets



(56)

References Cited

U.S. PATENT DOCUMENTS

6,116,706	A	9/2000	Pomerleau et al.	
6,485,120	B1	11/2002	Pomerleau et al.	
D695,599	S *	12/2013	Rechberg	D8/377
D757,141	S *	5/2016	Rechberg	D15/143
9,661,925	B2 *	5/2017	Uffner	A47B 88/493
D799,215	S *	10/2017	Pacha	D3/318
D814,267	S *	4/2018	Verbowski	D8/354
D820,086	S *	6/2018	Lynd	D9/454
D821,852	S *	7/2018	Kaneko	D8/354
D852,628	S *	7/2019	Zerebny	D9/455
D855,445	S *	8/2019	Moris	D8/374
D920,115	S *	5/2021	Lee	D9/455
2012/0002907	A1 *	1/2012	Rehage	A47B 88/467 384/20
2013/0193824	A1 *	8/2013	Koenig	A47B 88/437 312/334.11
2015/0250311	A1 *	9/2015	Zimmermann	A47B 88/57 29/434
2016/0073782	A1 *	3/2016	Kler Da Silva	A47B 88/49 312/334.44
2016/0198854	A1 *	7/2016	Barnes	G02B 6/4457 312/334.8

* cited by examiner

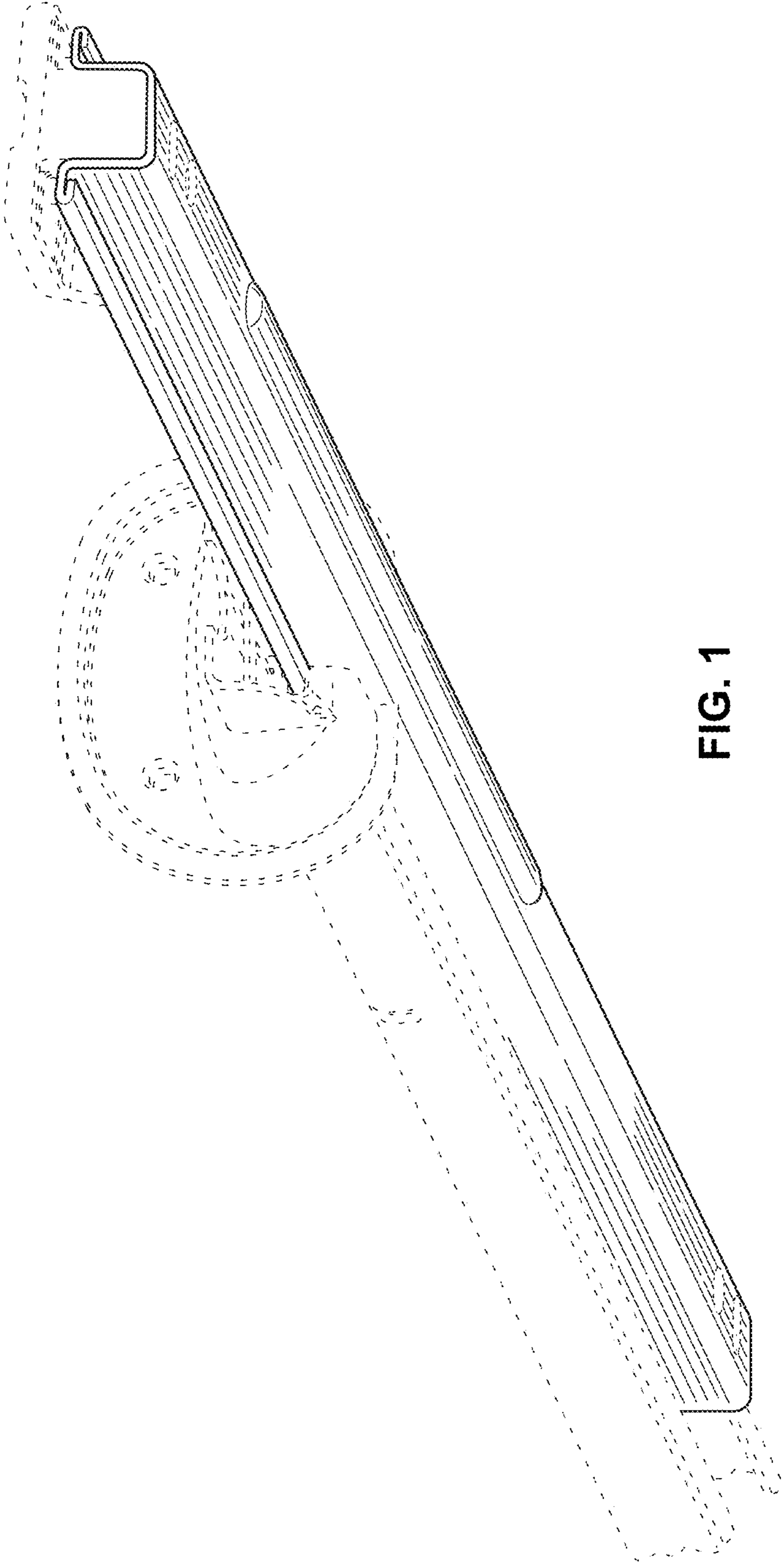


FIG. 1

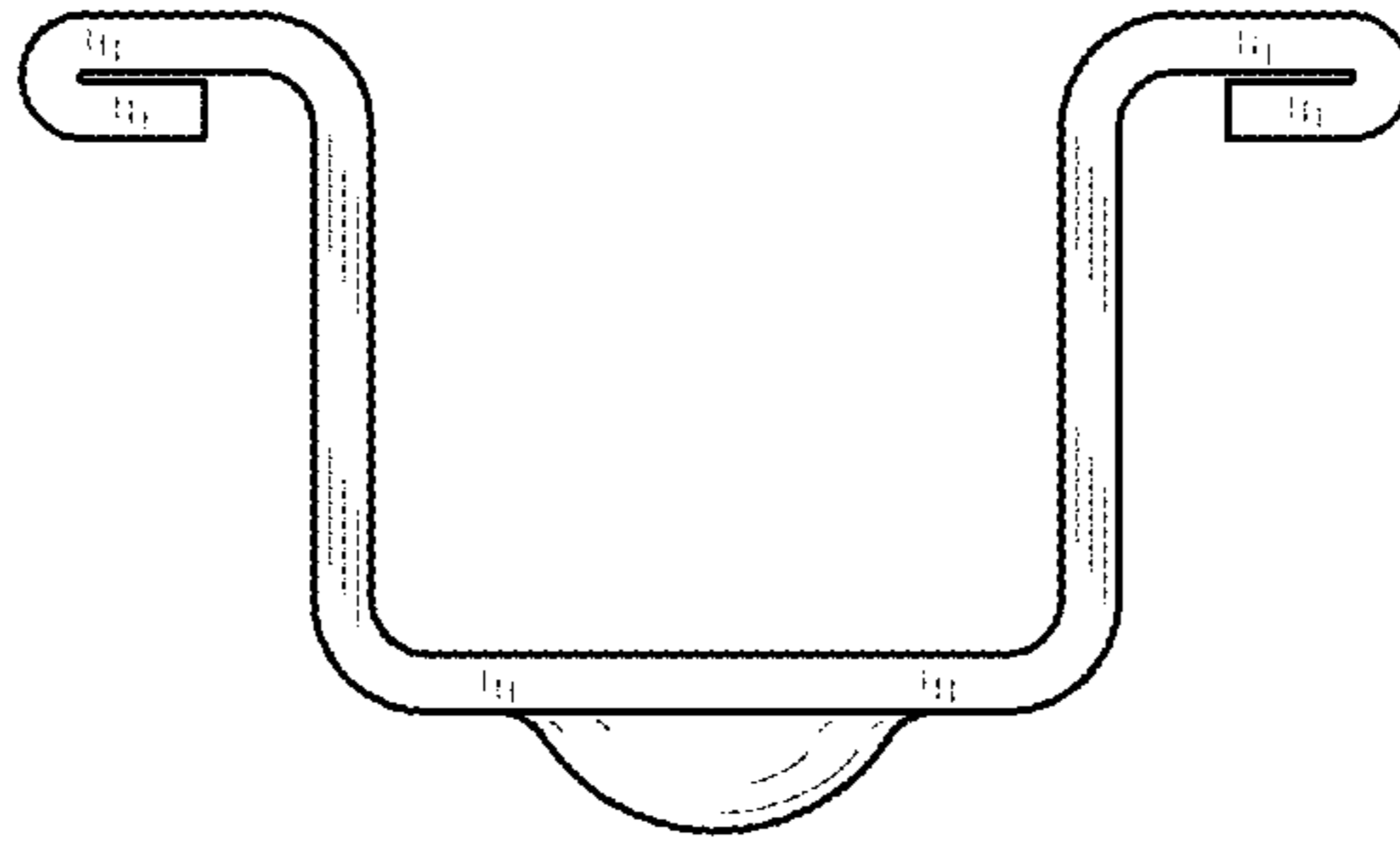


FIG. 2

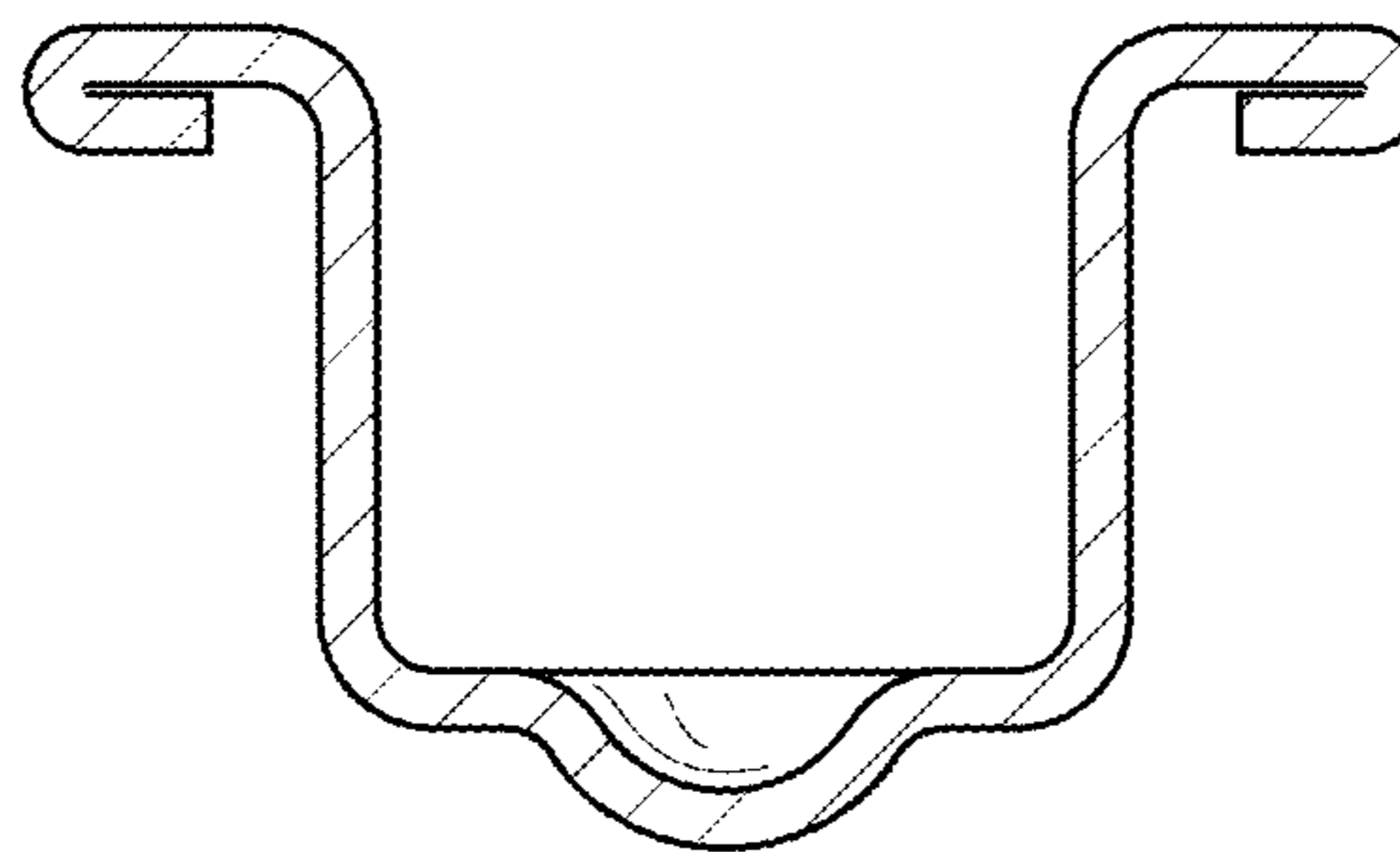


FIG. 3

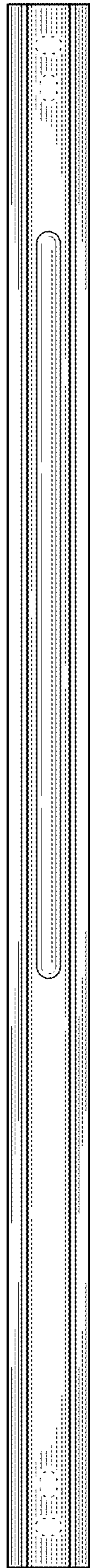


FIG. 4

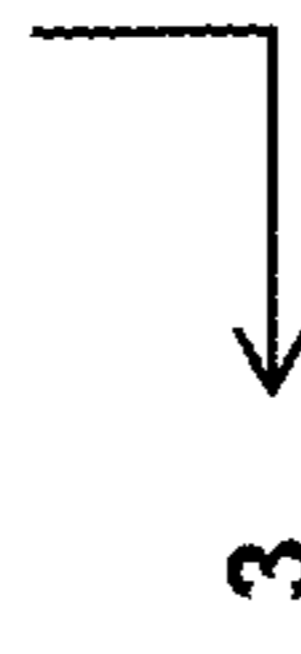
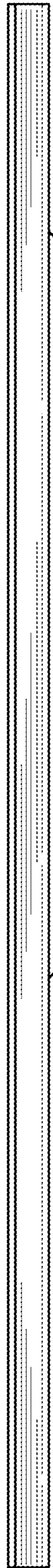


FIG. 5

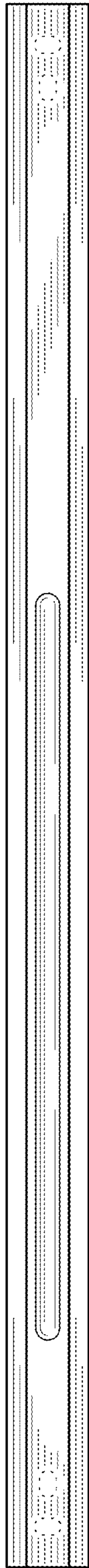


FIG. 6

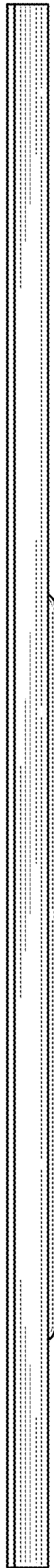


FIG. 7