



US00D960695S

(12) **United States Design Patent** (10) **Patent No.:** **US D960,695 S**
Kuschmeader et al. (45) **Date of Patent:** **** Aug. 16, 2022**

(54) **WALL MOUNTED BRACKET FOR HITCH MOUNTED ACCESSORIES**

(71) Applicants: **Luke Kuschmeader**, Springfield, MO (US); **Marc Basiliere**, Albuquerque, NM (US)

(72) Inventors: **Luke Kuschmeader**, Springfield, MO (US); **Marc Basiliere**, Albuquerque, NM (US)

(73) Assignee: **Kuat Innovations LLC**, Springfield, MO (US)

(**) Term: **15 Years**

(21) Appl. No.: **29/728,587**

(22) Filed: **Mar. 19, 2020**

(51) **LOC (13) Cl.** **08-11**

(52) **U.S. Cl.**
USPC **D8/373**

(58) **Field of Classification Search**
USPC D8/349, 373; D6/675; D9/414, 424, D9/430, 432, 433
CPC . B60D 1/01; B60D 1/075; B60D 1/44; B60D 1/46; B60D 1/52
See application file for complete search history.

(56) **References Cited**

U.S. PATENT DOCUMENTS

D296,075 S *	6/1988	Jones	D15/7
D370,171 S *	5/1996	Emerson	D8/354
D477,217 S *	7/2003	Riedi	B60R 9/06
				D9/418
D478,435 S *	8/2003	Brownfield	B62H 3/12
				D6/683
7,055,844 B1 *	6/2006	Bostedt	B60D 1/52
				224/403

(Continued)

OTHER PUBLICATIONS

“Kuat RackDock offers a sleek way to store your bike rack in the garage (or anywhere else)”; Overholt, Zach; bikerumor.com; Nov.

21, 2019; Accessed Apr. 14, 2022; URL:< https://bikerumor.com/kuat-rackdock-offers-a-sleek-way-to-store-your-bike-rack-in-the-garage-or-anywhere-else/> (Year: 2019).*

Primary Examiner — Rachel A. Voorhies
Assistant Examiner — Benjamin D. Wannemacher
(74) *Attorney, Agent, or Firm* — Kutak Rock LLP; James Jeffries

(57) **CLAIM**

The ornamental design for a wall mounted bracket for hitch mounted accessories, as shown and described.

DESCRIPTION

FIG. 1 is an upper right front perspective view of a wall mounted bracket for hitch mounted accessories, showing our new design.

FIG. 2 is a front elevation view of the wall mounted bracket for hitch mounted accessories of FIG. 1.

FIG. 3 is a right elevation view of the wall mounted bracket for hitch mounted accessories of FIG. 1.

FIG. 4 is a left elevation view of the wall mounted bracket for hitch mounted accessories of FIG. 1.

FIG. 5 is a bottom elevation view of the wall mounted bracket for hitch mounted accessories of FIG. 1.

FIG. 6 is a top elevation view of the wall mounted bracket for hitch mounted accessories of FIG. 1; and,

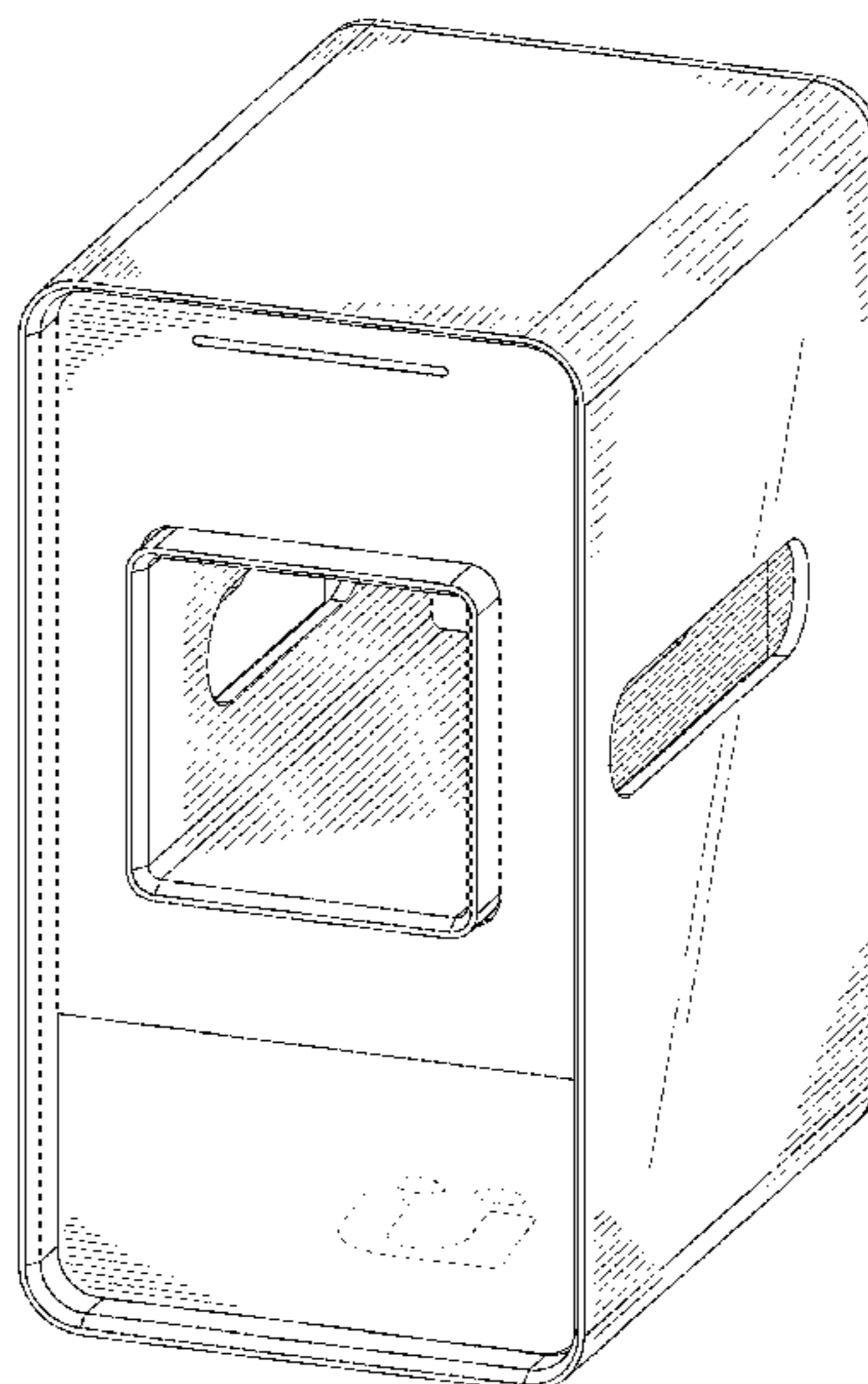
FIG. 7 is a rear elevation view of the wall mounted bracket for hitch mounted accessories of FIG. 1.

The dash-dash broken lines are for the purpose of illustrating environmental portions of the wall mounted bracket for hitch mounted accessories that form no part of the claimed design.

The shade lines and shading in the figures show contour and not surface ornamentation.

The internal structure shown in broken lines in FIG. 2 forms no part of the claimed design.

1 Claim, 7 Drawing Sheets



(56)

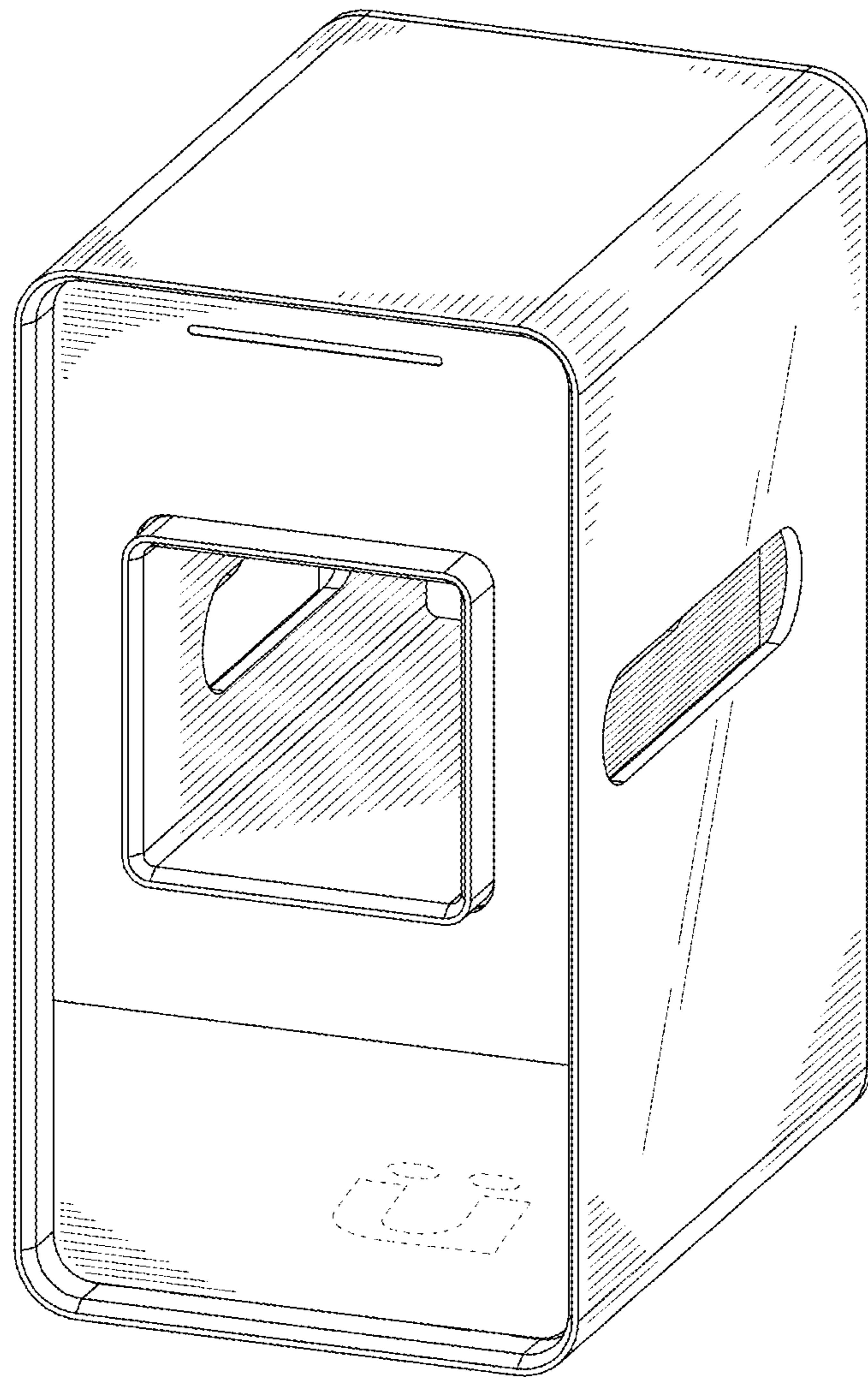
References Cited

U.S. PATENT DOCUMENTS

7,661,543 B1 * 2/2010 Townsend B60D 1/60
280/491.1
D645,335 S 9/2011 Herman
D727,803 S * 4/2015 Borkholder D12/162
D797,008 S * 9/2017 Borkholder D12/162
D805,894 S * 12/2017 Lee D9/431
D924,041 S * 7/2021 Brown D8/349
11,247,139 B2 * 2/2022 Catz A63H 33/04
D945,380 S * 3/2022 Note D12/400
2007/0034760 A1 * 2/2007 Moore B62H 3/12
248/300
2010/0096347 A1 * 4/2010 Theobald B60R 9/06
211/13.1
2016/0303934 A1 * 10/2016 Olson B60R 11/06

* cited by examiner

FIG. 1



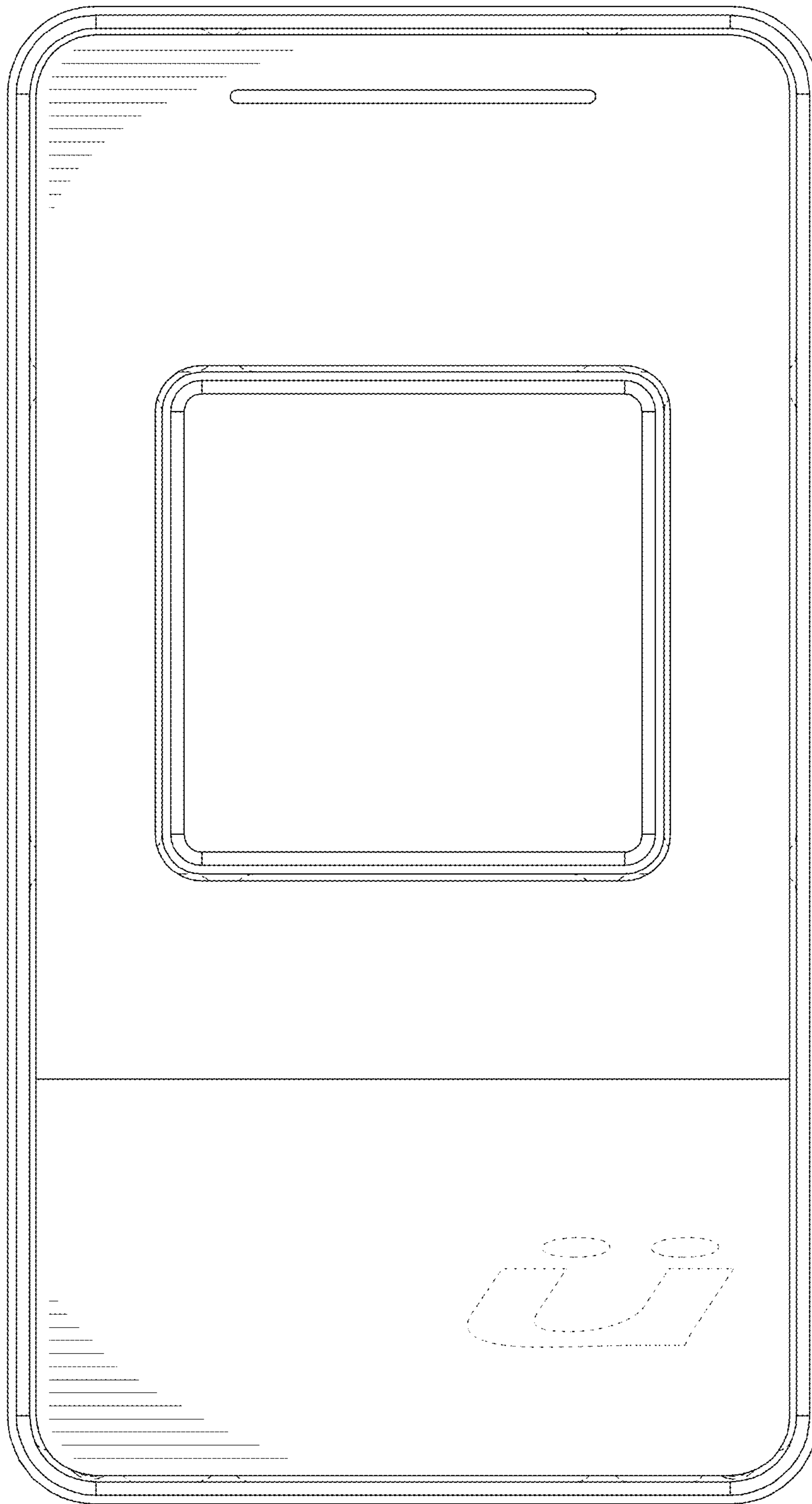


FIG. 2

FIG. 3

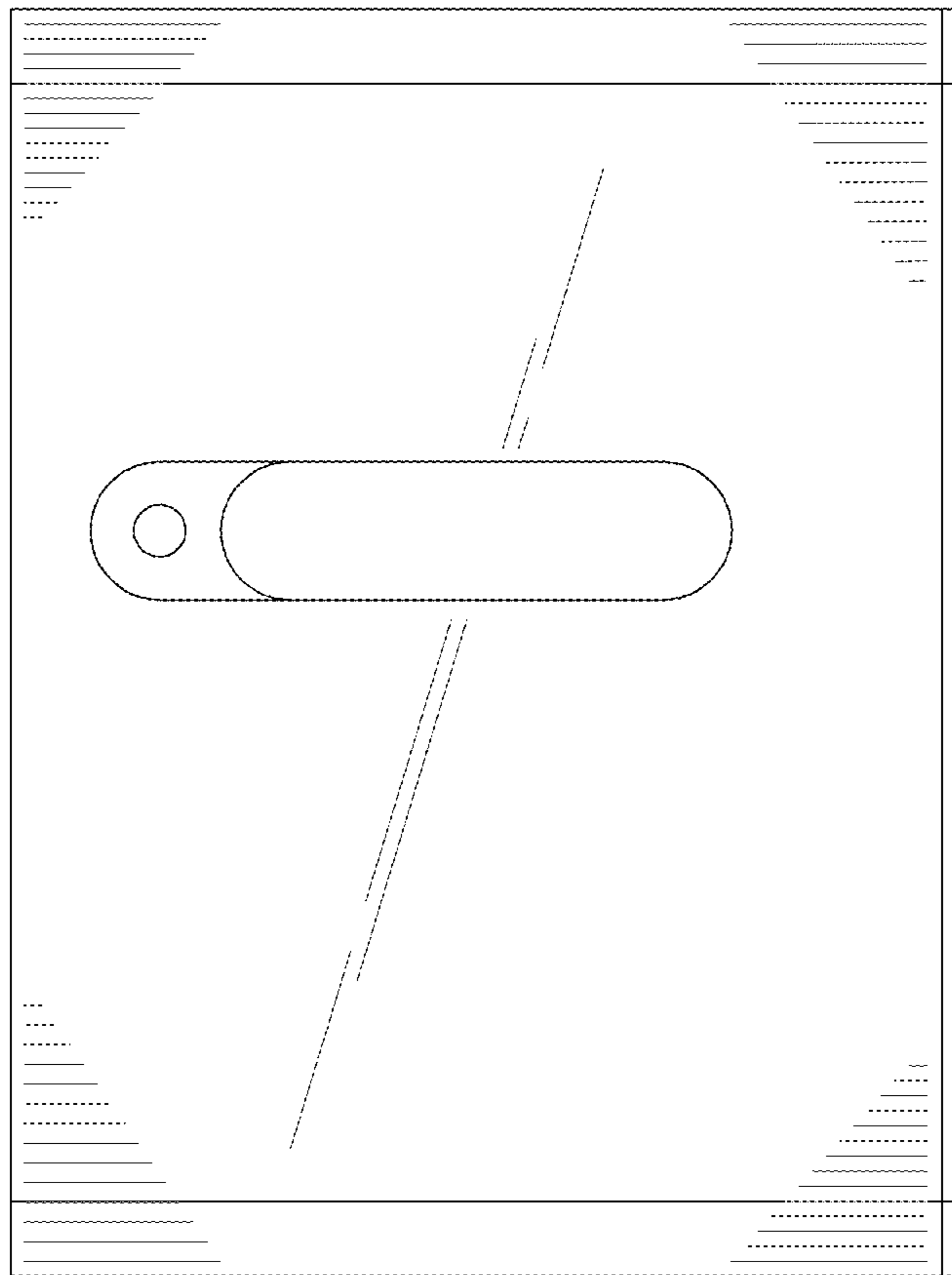


FIG. 4

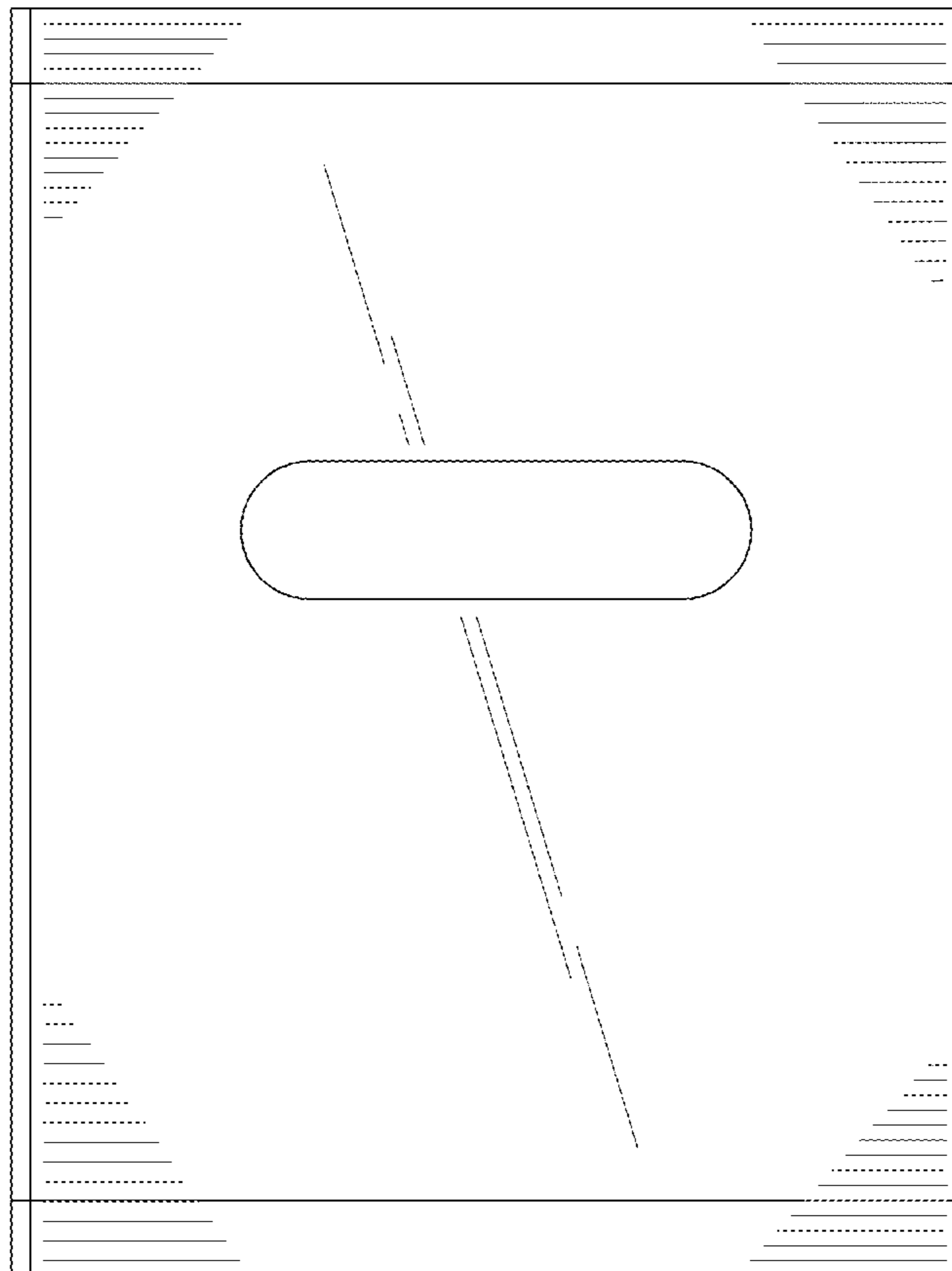


FIG. 5

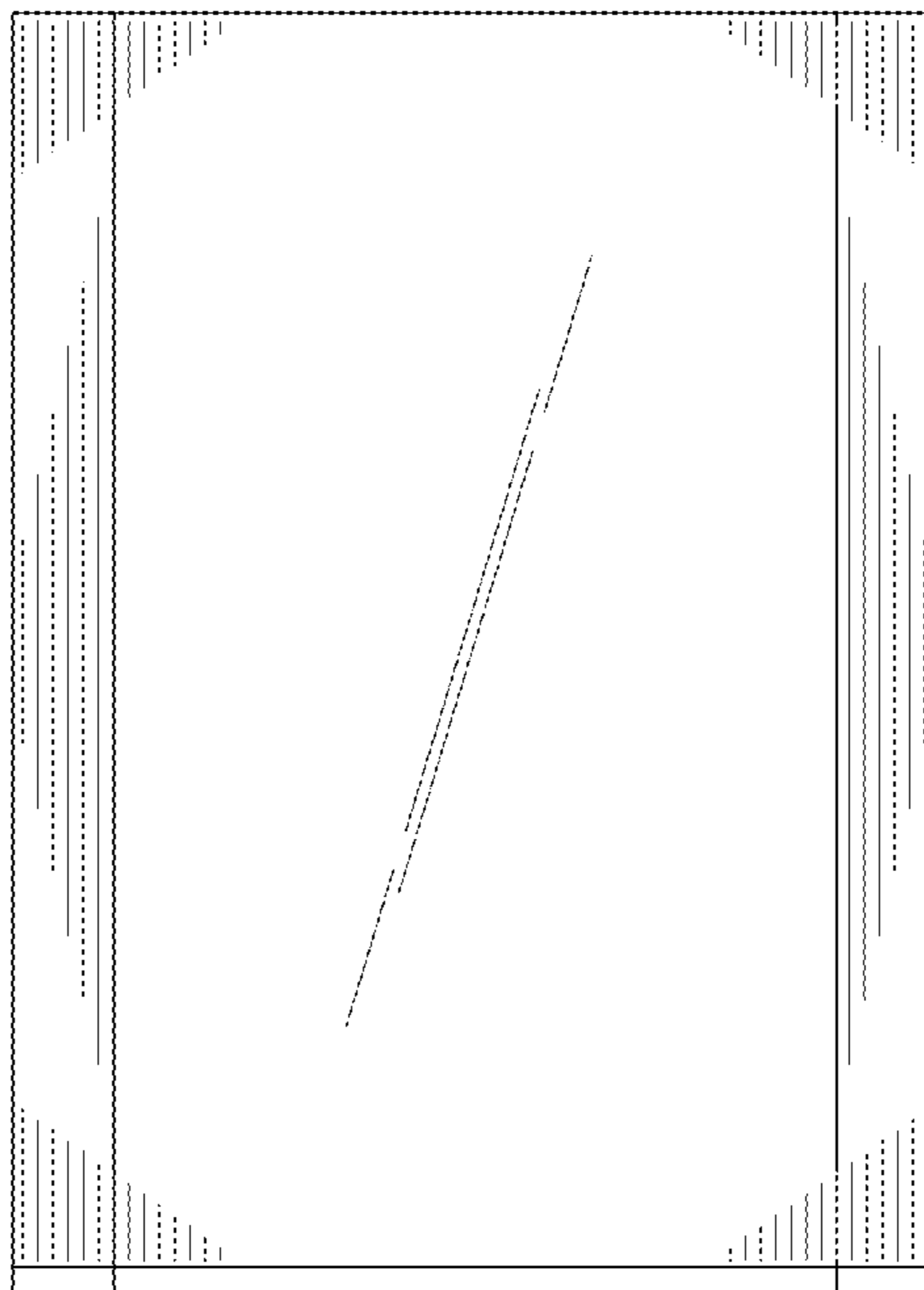


FIG. 6

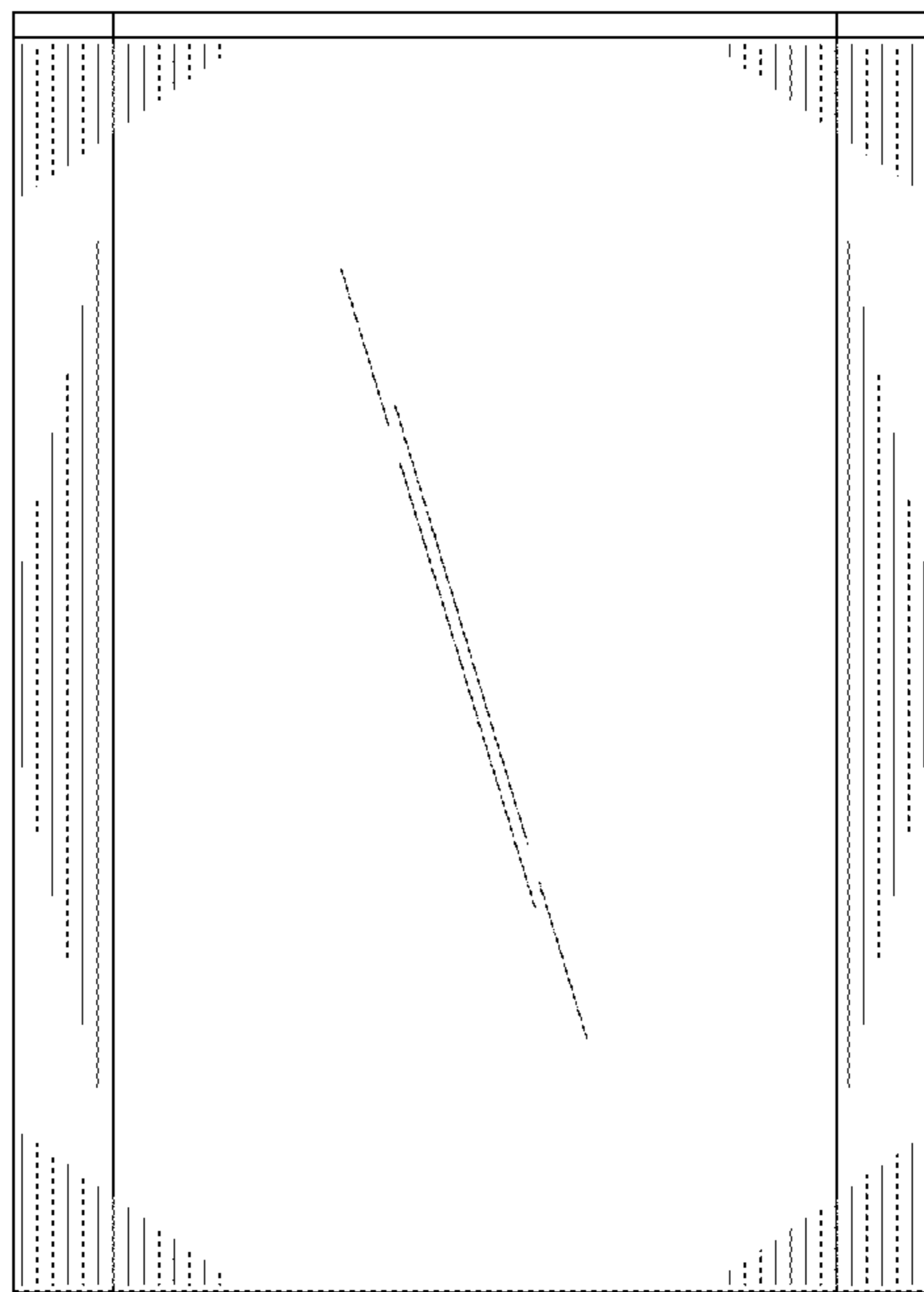


FIG. 7

