



US00D960693S

(12) **United States Design Patent** (10) **Patent No.:** **US D960,693 S**
Lin (45) **Date of Patent:** **** Aug. 16, 2022**

(54) **GARDEN HOSE HOLDER**
(71) Applicant: **Qiang Lin**, Fujian Province (CN)
(72) Inventor: **Qiang Lin**, Fujian Province (CN)
(**) Term: **15 Years**
(21) Appl. No.: **29/800,206**
(22) Filed: **Jul. 20, 2021**
(51) **LOC (13) Cl.** **08-11**
(52) **U.S. Cl.**
USPC **D8/367**
(58) **Field of Classification Search**
USPC D8/367, 354, 349, 356; D12/162;
224/248, 268, 904; 248/62
CPC ... A47G 29/083; F16B 45/00; A63B 21/0557;
B60P 7/0823
See application file for complete search history.

D700,041 S * 2/2014 Cobianco D8/367
D702,112 S * 4/2014 Cittadino D8/367
D707,542 S * 6/2014 Goodman D8/372
D749,408 S * 2/2016 Liao D8/396
D750,472 S * 3/2016 Kuka D8/367
D756,756 S * 5/2016 Kuehn D8/367
D772,043 S * 11/2016 Forrest D8/367
D787,303 S * 5/2017 Garvin D8/367
D795,678 S * 8/2017 Early D8/367
D804,938 S * 12/2017 Wesley D8/367
D814,270 S * 4/2018 Stoll D8/356
D868,568 S * 12/2019 Elliott D8/367
D903,474 S 12/2020 Peng
2012/0199714 A1* 8/2012 Rinaldo F16B 45/00
248/304

* cited by examiner

Primary Examiner — Cynthia R Underwood

(57) **CLAIM**

The ornamental design for a garden hose holder, as shown and described.

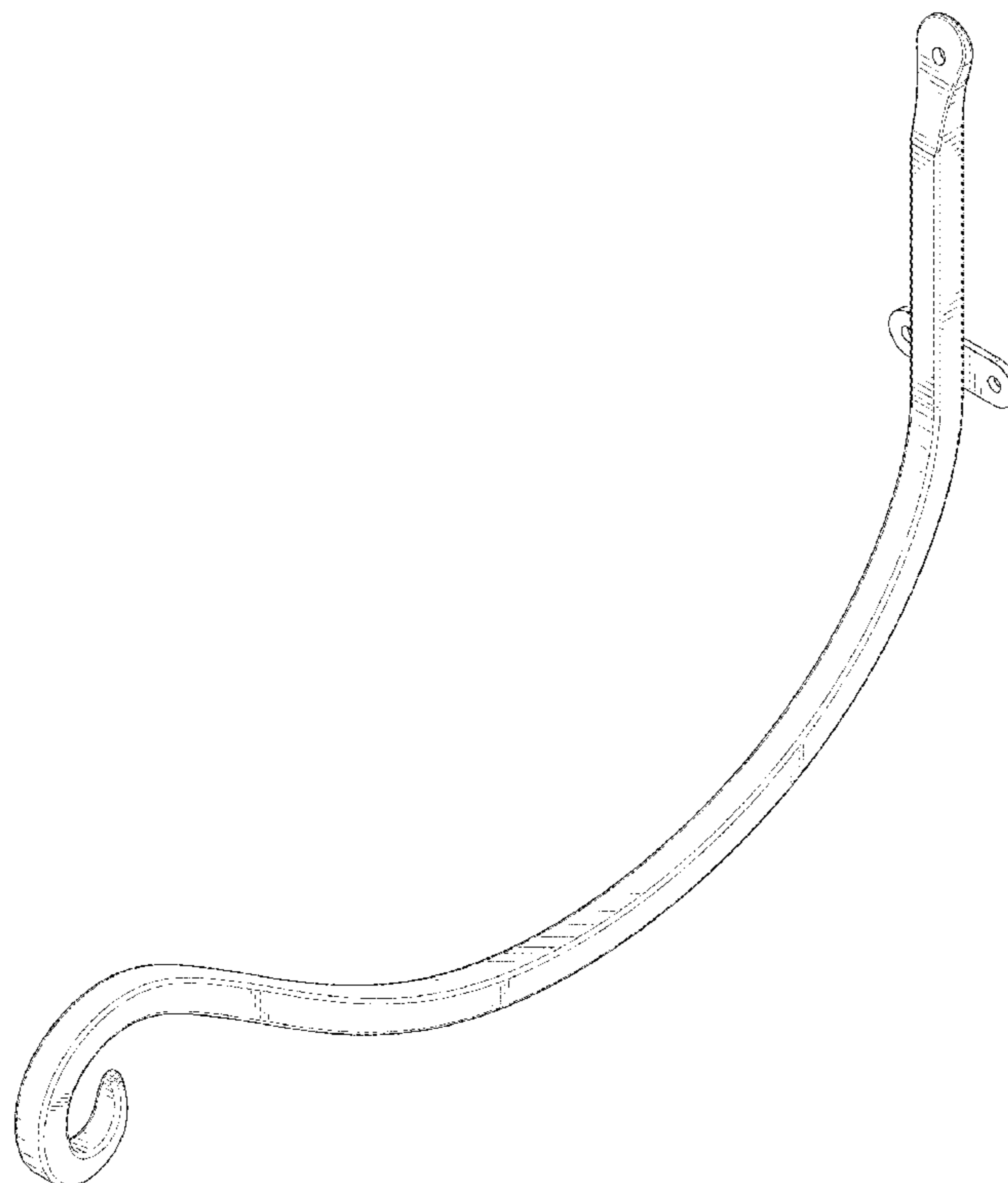
DESCRIPTION

FIG. 1 is a front and top perspective view of a garden hose holder, showing my new design;
FIG. 2 is a rear and bottom perspective view thereof;
FIG. 3 is a front elevation view thereof;
FIG. 4 is a rear elevation view thereof;
FIG. 5 is a left side elevation view thereof;
FIG. 6 is a right side elevation view thereof;
FIG. 7 is a top plan view thereof; and,
FIG. 8 is a bottom plan view thereof.

1 Claim, 8 Drawing Sheets

(56) **References Cited**
U.S. PATENT DOCUMENTS

D334,529 S * 4/1993 Guilbert D7/619.1
D358,979 S * 6/1995 Reid D8/356
D446,044 S * 8/2001 Thomas D8/367
D535,550 S * 1/2007 Silberman D8/367
D540,659 S * 4/2007 Schmidt D8/367
D597,825 S * 8/2009 Ho D8/367
D646,960 S * 10/2011 Goodman D8/372
D649,019 S * 11/2011 Kim D8/367
D668,941 S * 10/2012 Taurins D8/367
8,534,626 B1 * 9/2013 Freese A47G 29/083
24/376
D695,526 S * 12/2013 Easlick D3/328



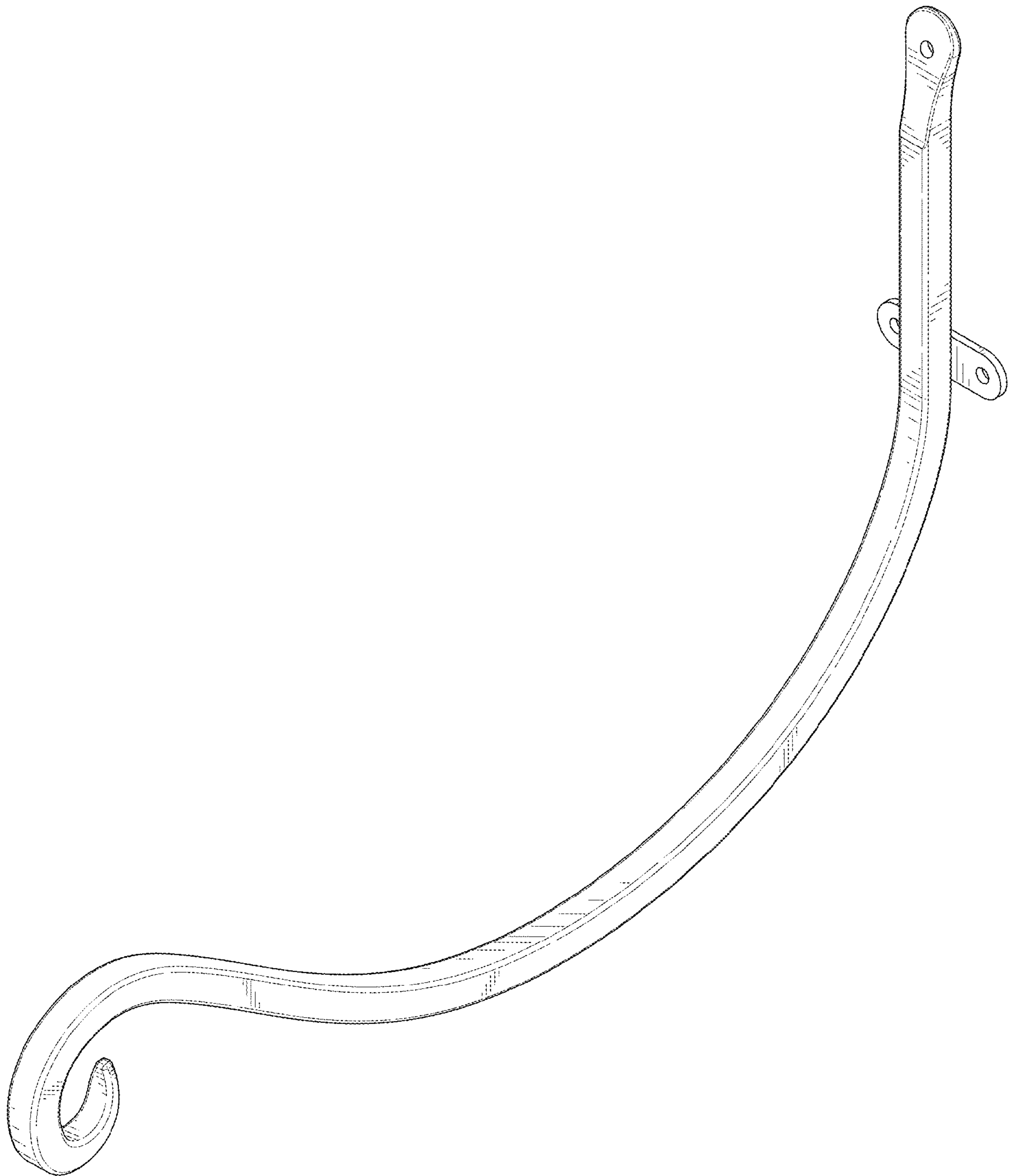


FIG. 1

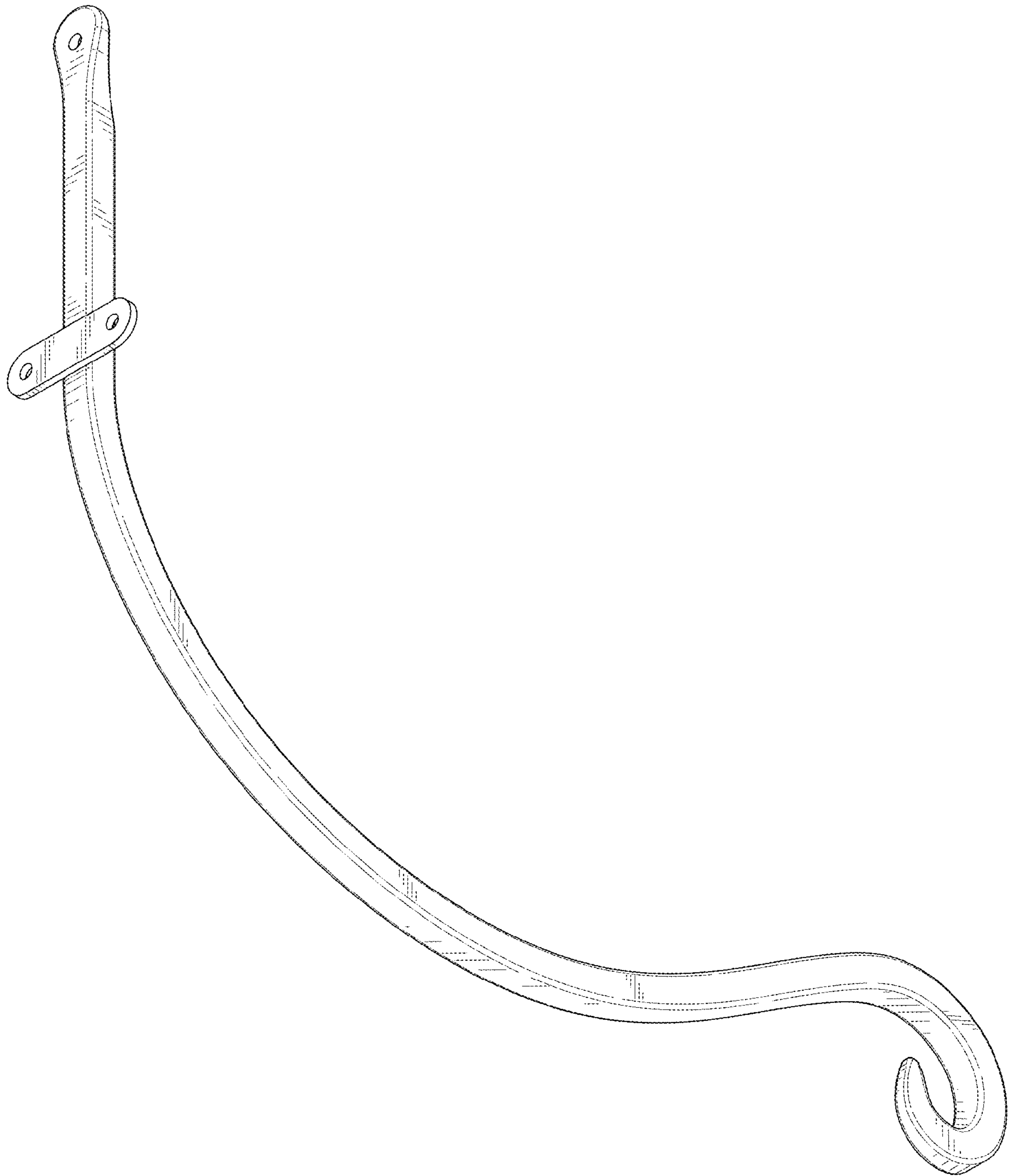


FIG. 2

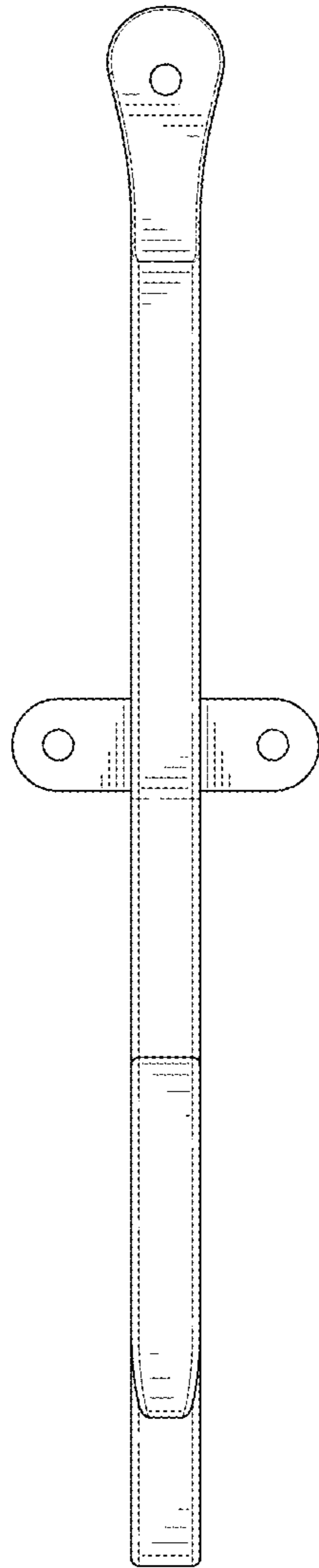


FIG. 3

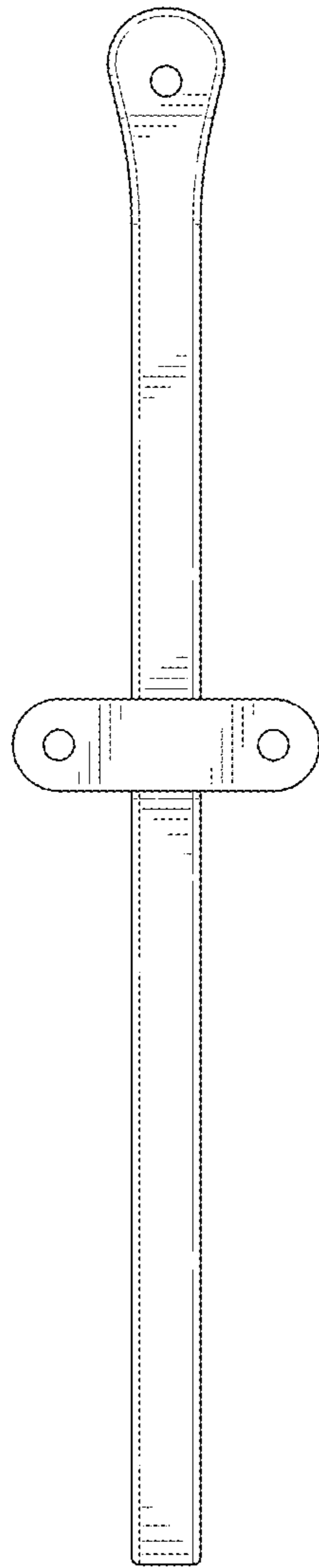


FIG. 4

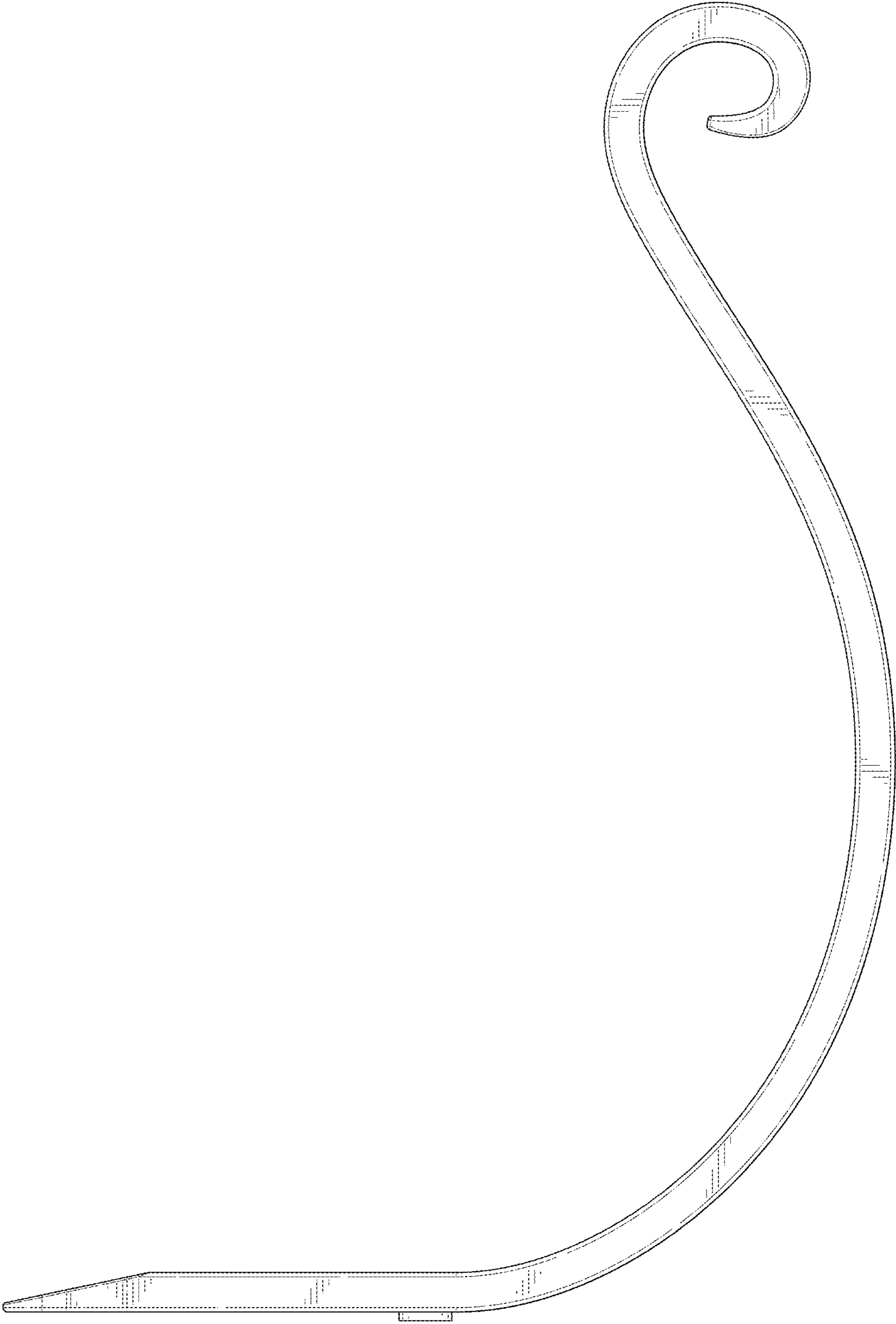


FIG. 5

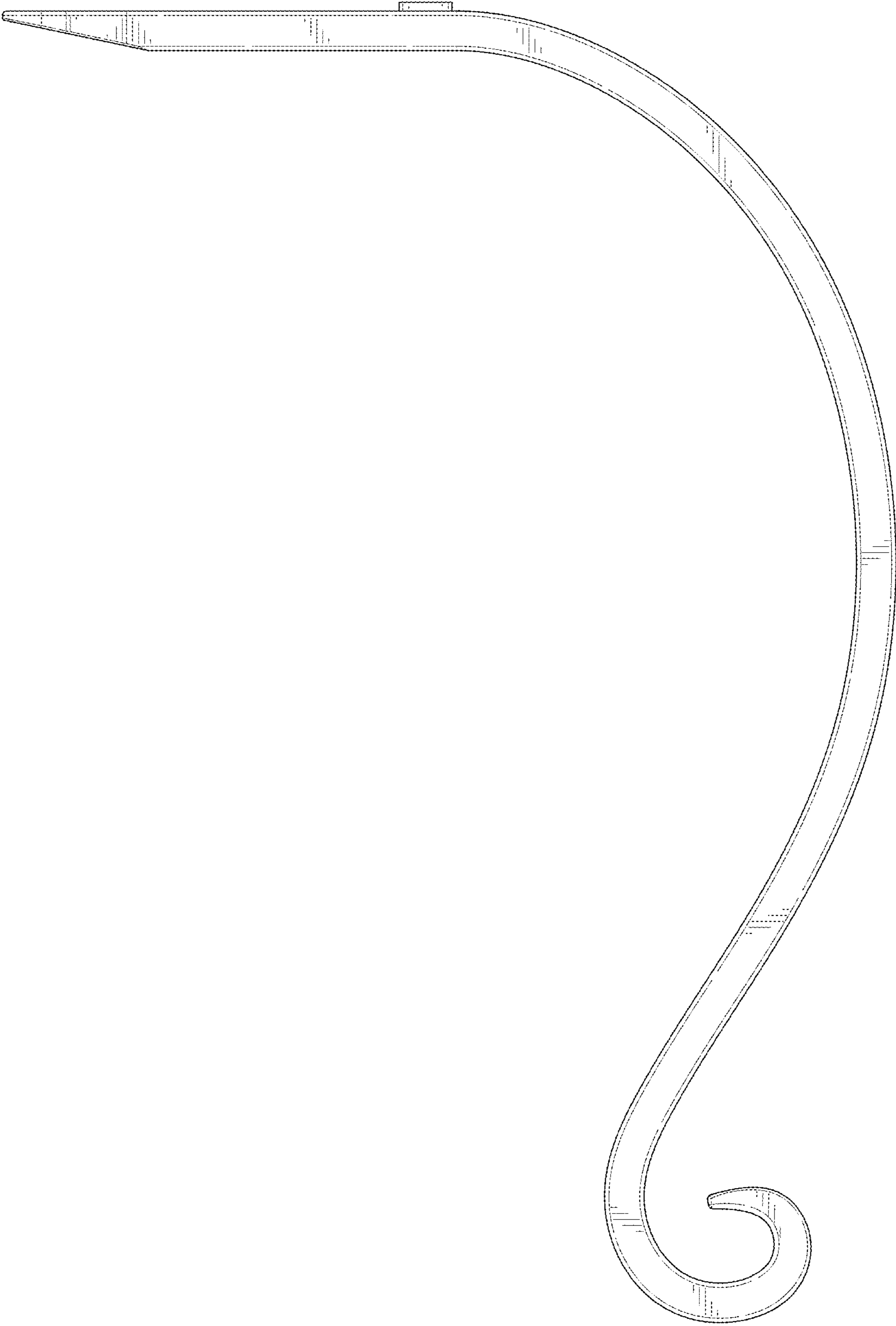


FIG. 6

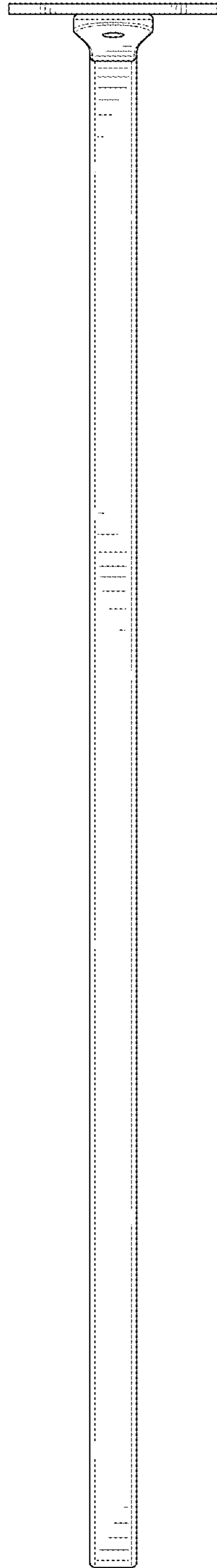


FIG. 7

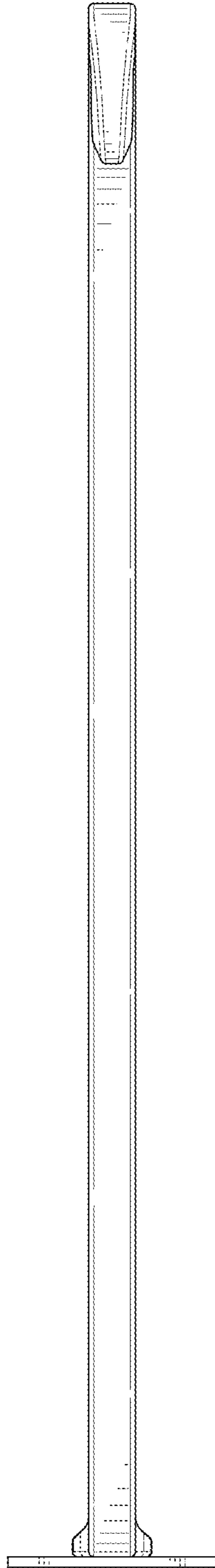


FIG. 8