



US00D960692S

(12) **United States Design Patent**  
**Giloley**

(10) **Patent No.:** **US D960,692 S**

(45) **Date of Patent:** **\*\* Aug. 16, 2022**

(54) **PEG HOOK**

(71) Applicant: **Harold Giloley**, Wallingford, PA (US)

(72) Inventor: **Harold Giloley**, Wallingford, PA (US)

(\*\*) Term: **15 Years**

(21) Appl. No.: **29/745,688**

(22) Filed: **Aug. 7, 2020**

(51) **LOC (13) Cl.** ..... **08-11**

(52) **U.S. Cl.**  
USPC ..... **D8/367**

(58) **Field of Classification Search**  
USPC ..... D8/367, 354, 349, 356; D12/162;  
224/248, 268, 904; 248/62  
CPC ... A47G 29/083; F16B 45/00; A63B 21/0557;  
B60P 7/0823  
See application file for complete search history.

(56) **References Cited**

**U.S. PATENT DOCUMENTS**

D305,299 S *	1/1990	Freeman	.....	D8/371
D349,042 S *	7/1994	Costello	.....	D8/367
D354,675 S *	1/1995	Bannister	.....	D8/367
D378,050 S *	2/1997	Richeson	.....	D8/367
D422,198 S *	4/2000	Snell	.....	D8/367
D549,565 S *	8/2007	Cox	.....	D8/394
D568,727 S *	5/2008	Walker	.....	D8/380
D583,223 S *	12/2008	Bunn, Sr.	.....	D8/371
D606,847 S *	12/2009	Rataiczak, III	.....	D8/367
D636,928 S *	4/2011	Lin	.....	D26/138
D649,019 S *	11/2011	Kim	.....	D8/367
D668,938 S *	10/2012	Morales	.....	D8/367
D672,224 S *	12/2012	Brinson	.....	D8/367

D697,785 S *	1/2014	Davis	.....	D8/367
D742,726 S *	11/2015	Glass	.....	D8/367
D756,756 S *	5/2016	Kuehn	.....	D8/367
D810,547 S *	2/2018	Lynn	.....	D8/367
D859,132 S *	9/2019	Abeel	.....	D8/367
D864,698 S *	10/2019	Wilson	.....	A45F 5/00 D8/367
D865,497 S *	11/2019	Williamson	.....	D8/367
D871,897 S *	1/2020	Wellington	.....	D8/367
D891,147 S *	7/2020	Denby	.....	D6/553
D893,986 S *	8/2020	Adelman	.....	D8/367
D895,405 S *	9/2020	Boisvert	.....	D8/367
D896,064 S *	9/2020	Boisvert	.....	D8/367
2012/0199714 A1 *	8/2012	Rinaldo	.....	F16B 45/00 248/304

\* cited by examiner

*Primary Examiner* — Cynthia R Underwood

(74) *Attorney, Agent, or Firm* — Kim IP Law Group LLC

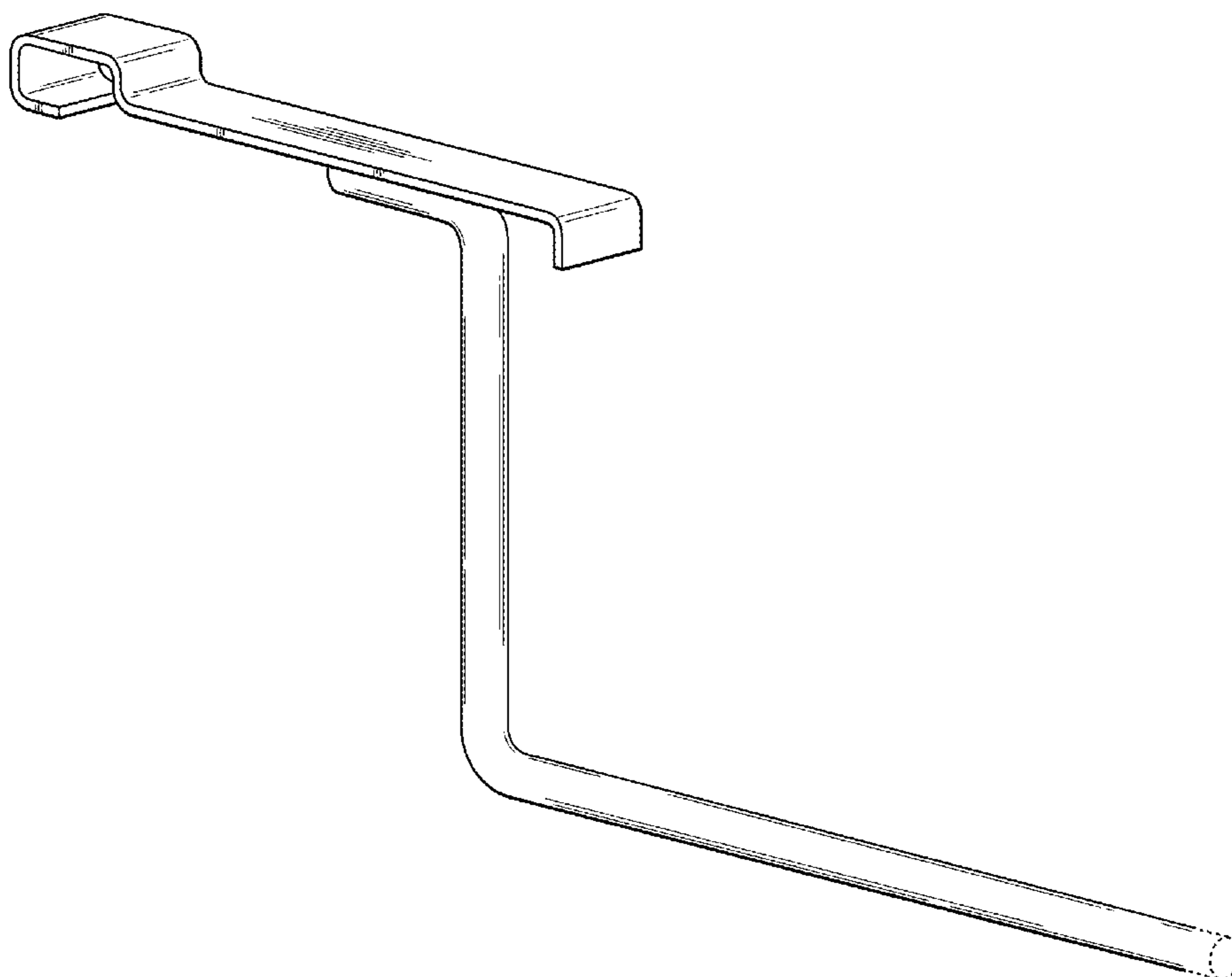
(57) **CLAIM**

The ornamental design for a peg hook, as shown and described.

**DESCRIPTION**

FIG. 1 is a front perspective view of a peg hook in accordance with the new design;  
FIG. 2 is a right side view of the peg hook of FIG. 1;  
FIG. 3 is a left side view of the peg hook of FIG. 1;  
FIG. 4 is a rear view of the peg hook of FIG. 1;  
FIG. 5 is a front view of the peg hook of FIG. 1;  
FIG. 6 is a top plan view of the peg hook of FIG. 1; and,  
FIG. 7 is a bottom plan view of the peg hook of FIG. 1.  
The broken lines in FIGS. 1-3 and 5-7 illustrate portions of the peg hook which form no part of the claimed design.

**1 Claim, 4 Drawing Sheets**



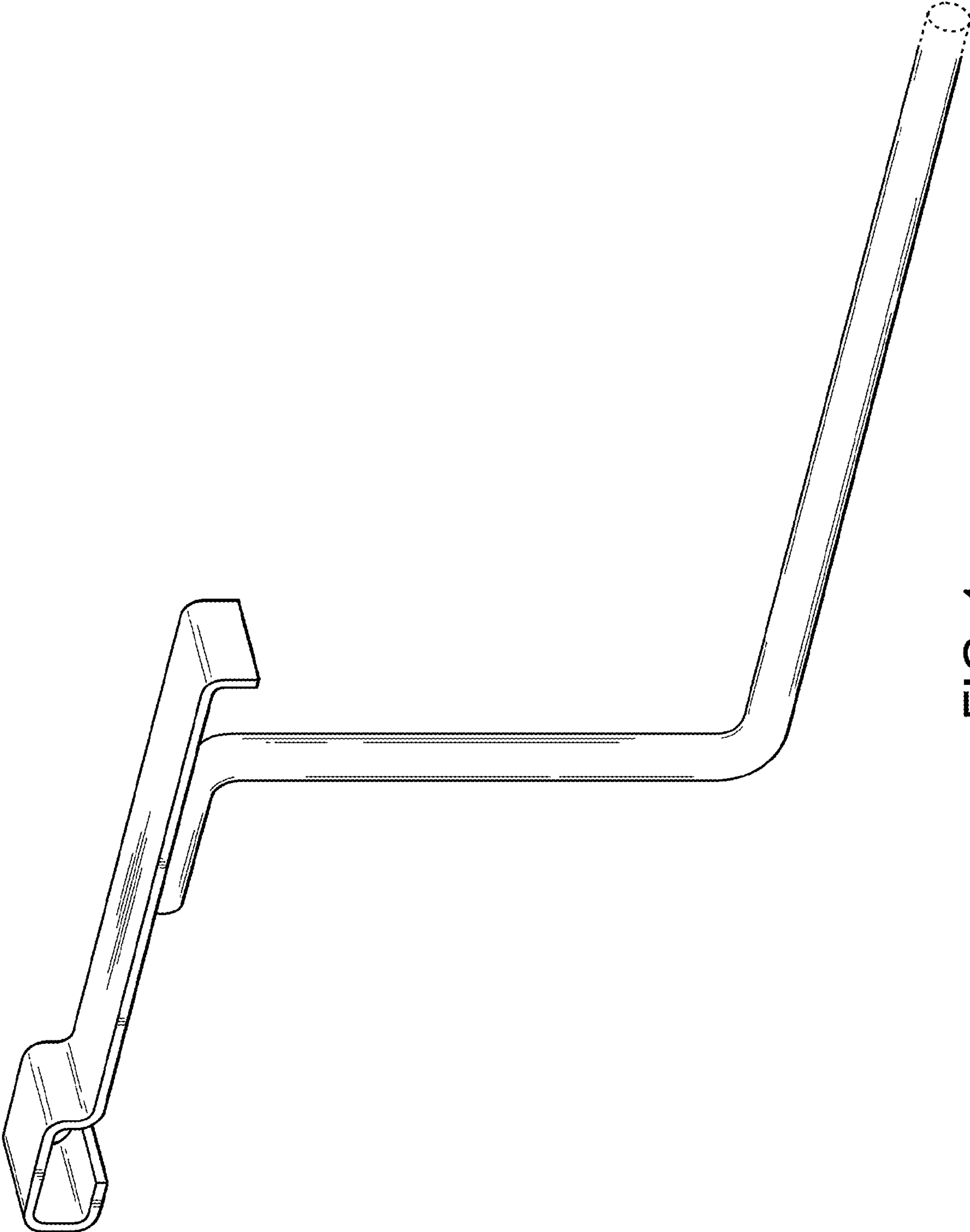


FIG. 1

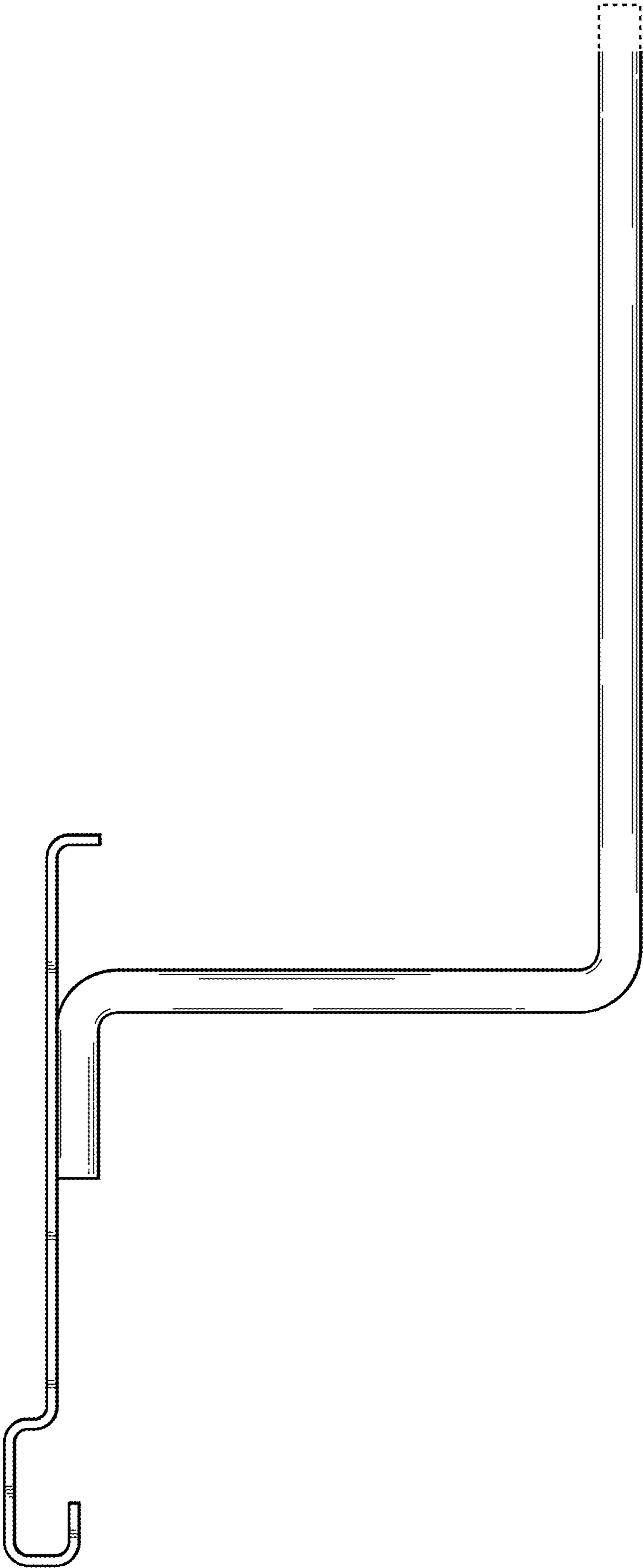


FIG. 2

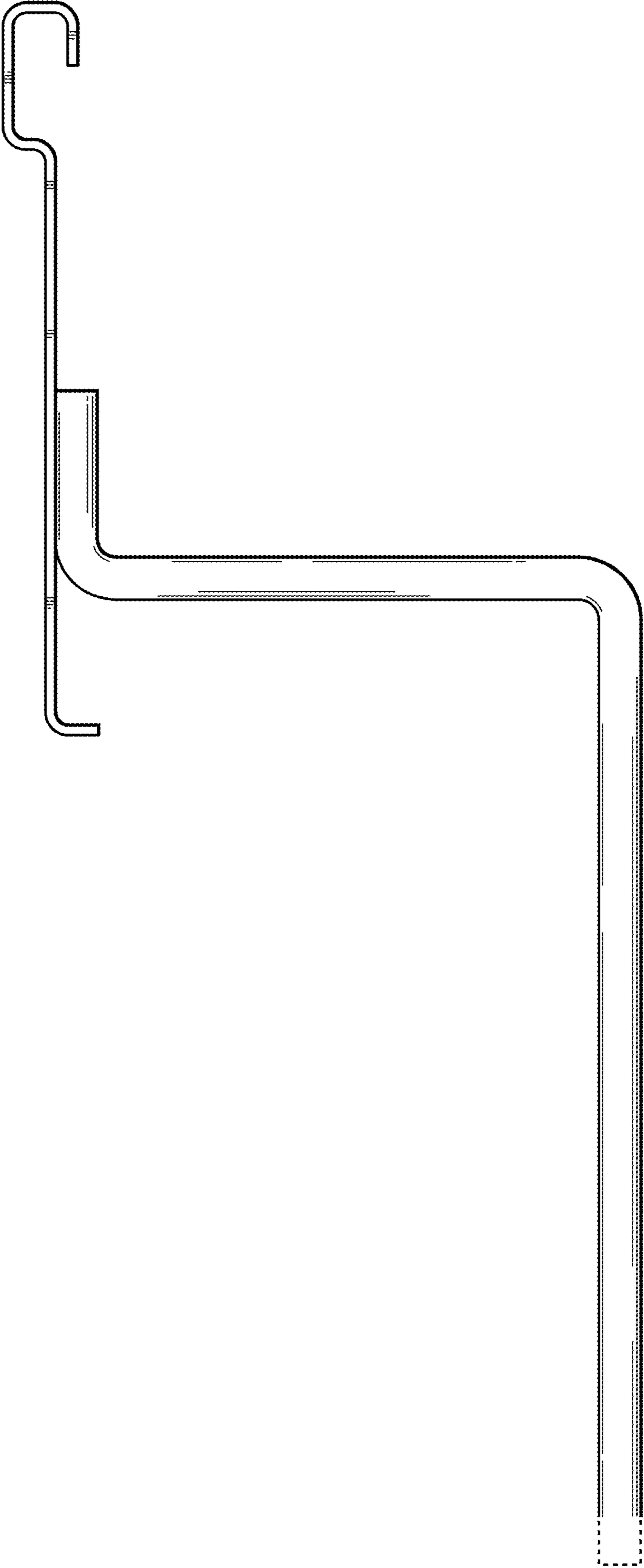


FIG. 3

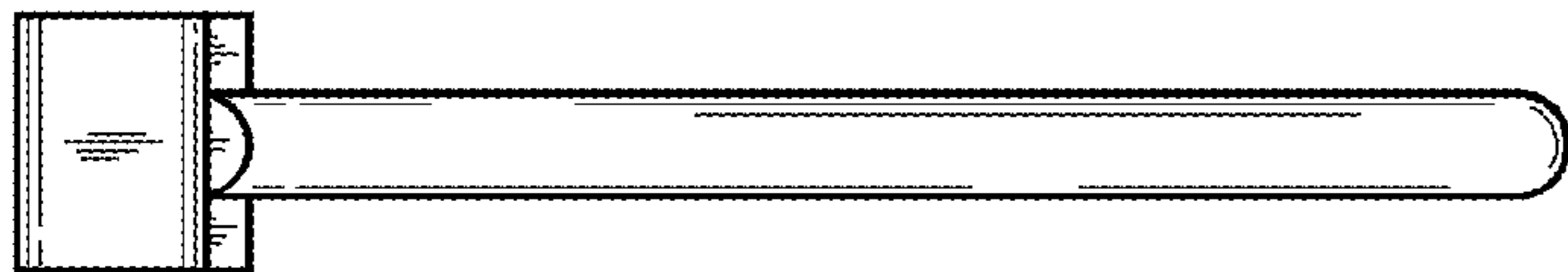


FIG. 4

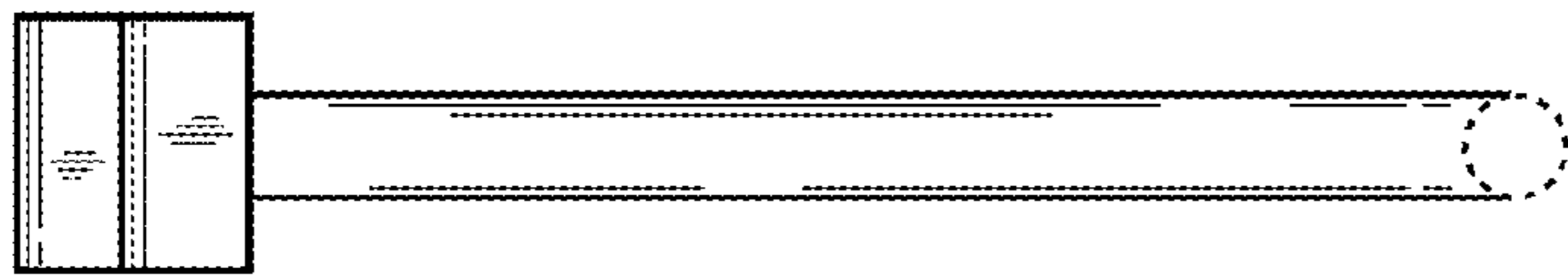


FIG. 5

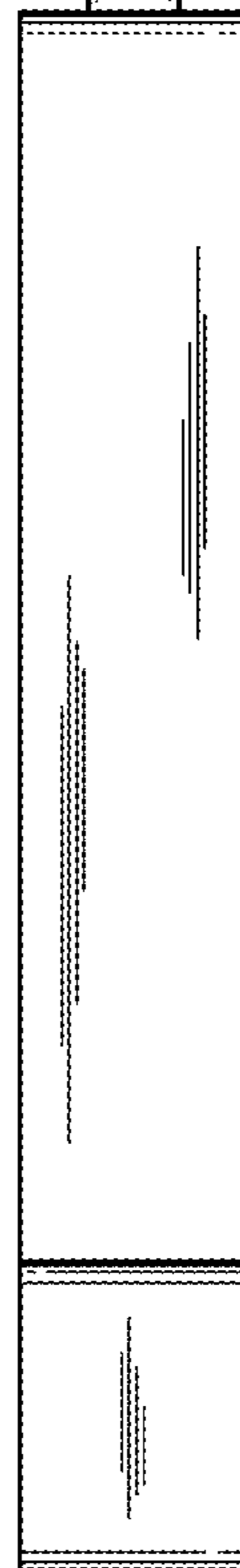


FIG. 6

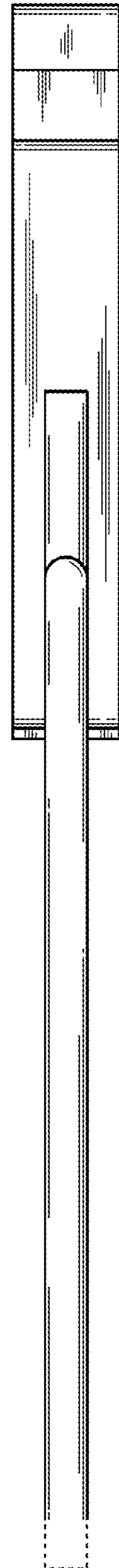


FIG. 7