



US00D960691S

(12) **United States Design Patent**
Sun

(10) **Patent No.:** **US D960,691 S**

(45) **Date of Patent:** **** Aug. 16, 2022**

(54) **HOSE REEL**

(71) Applicant: **Yuyan Sun**, Shandong (CN)

(72) Inventor: **Yuyan Sun**, Shandong (CN)

(**) Term: **15 Years**

(21) Appl. No.: **29/802,029**

(22) Filed: **Aug. 2, 2021**

(51) **LOC (13) Cl.** **08-05**

(52) **U.S. Cl.**
USPC **D8/358**

(58) **Field of Classification Search**
USPC D8/359, 356, 358

CPC B65H 75/34; B65H 75/48; B65H 75/20;
B65H 75/42; B65H 49/00; B65H 59/00;
B65H 57/00

See application file for complete search history.

(56) **References Cited**

U.S. PATENT DOCUMENTS

D275,263 S *	8/1984	Cutler	D8/358
D282,359 S *	1/1986	Schwartz	D8/358
D624,020 S *	9/2010	Kovacik	D8/358
D794,429 S	8/2017	Wang et al.	
D813,017 S	3/2018	Wang et al.	
D863,941 S *	10/2019	Ge	D8/358

D889,944 S *	7/2020	De Biasi	D8/358
D903,473 S *	12/2020	Peng	D8/356
D907,989 S *	1/2021	Wang	D8/358
D926,023 S *	7/2021	Wang	D8/358
D939,943 S *	1/2022	Uccellani	D8/358

* cited by examiner

Primary Examiner — Eliza Z Harvey

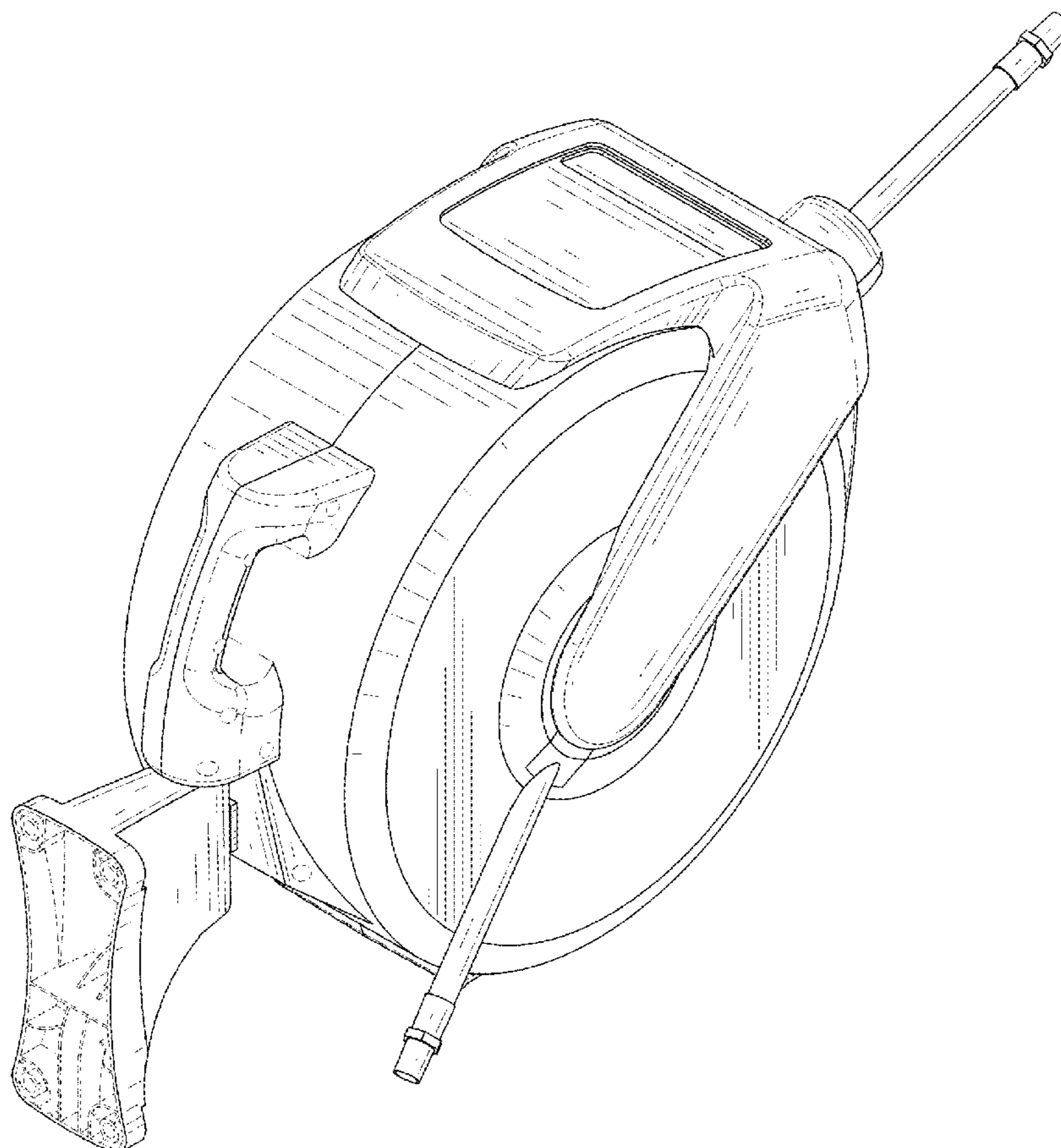
(57) **CLAIM**

The ornamental design for a hose reel, as shown and described.

DESCRIPTION

FIG. 1 is a front and top perspective view of a hose reel, showing my new design;
 FIG. 2 is a rear and bottom perspective view thereof;
 FIG. 3 is a front elevation view thereof;
 FIG. 4 is a rear elevation view thereof;
 FIG. 5 is a left side elevation view thereof;
 FIG. 6 is a right side elevation view thereof;
 FIG. 7 is a top plan view thereof; and,
 FIG. 8 is a bottom plan view thereof.
 The broken lines in the figures illustrate portions of the hose reel that form no part of the claimed design.

1 Claim, 8 Drawing Sheets



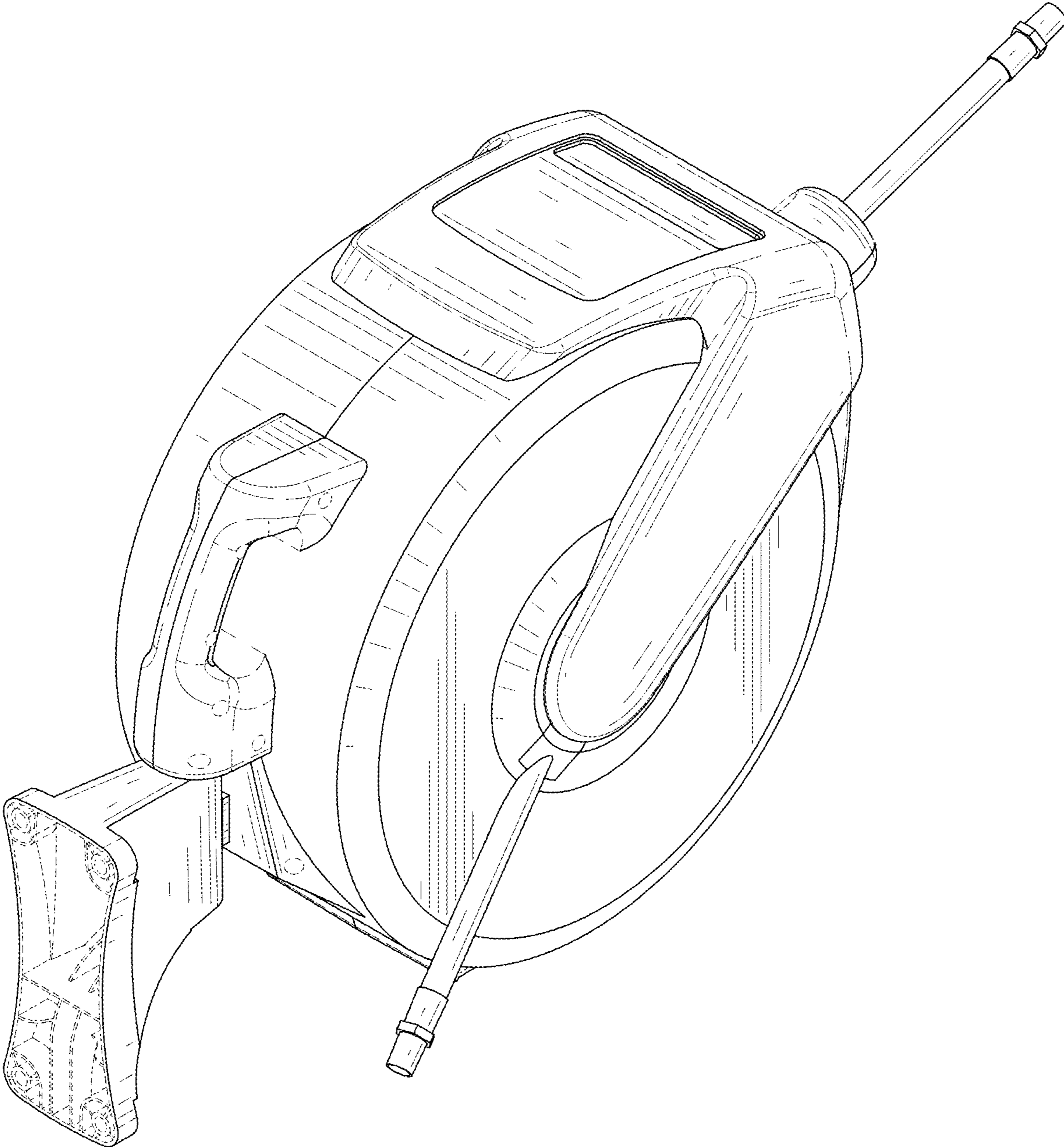


FIG. 1

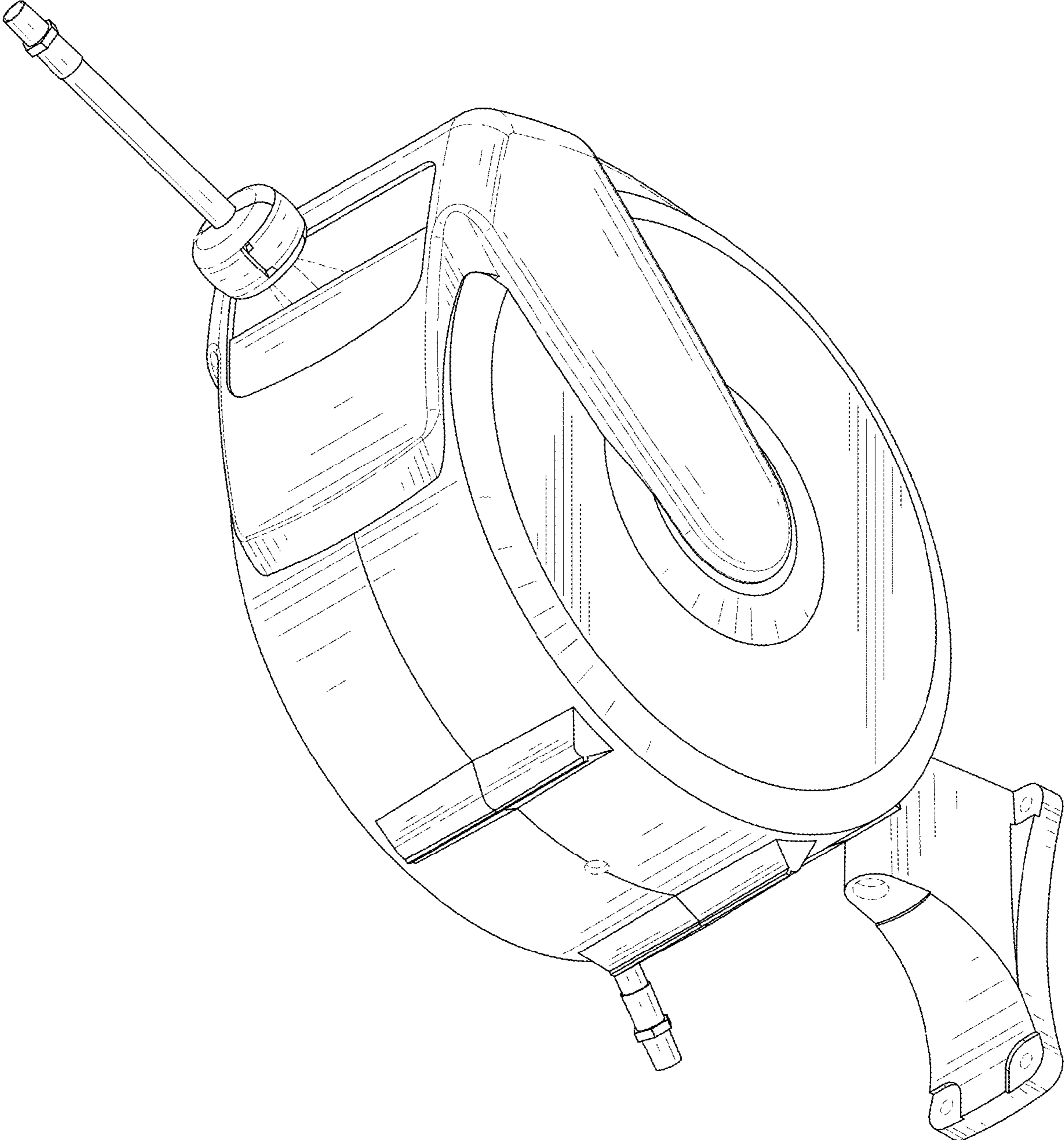


FIG. 2

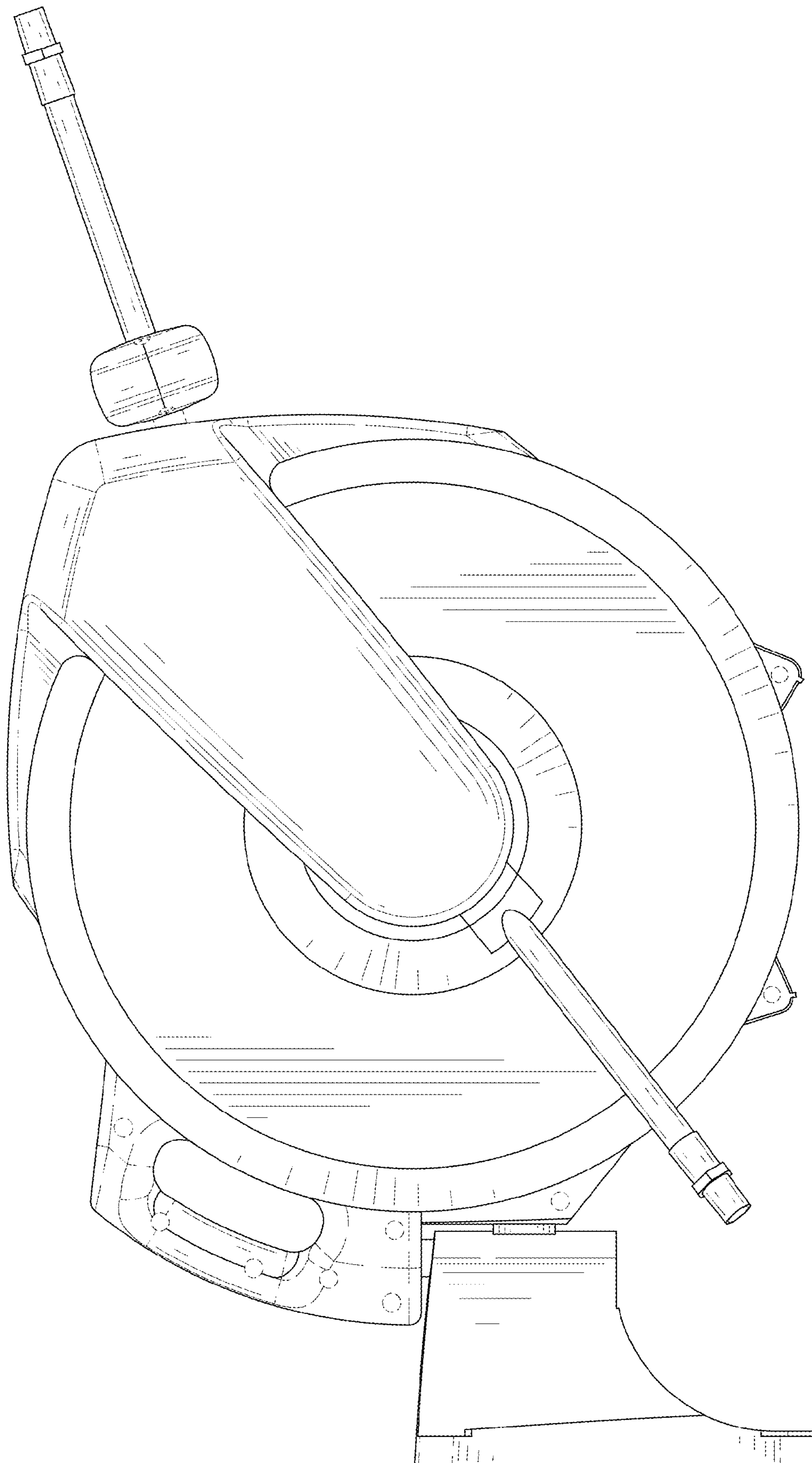


FIG. 3

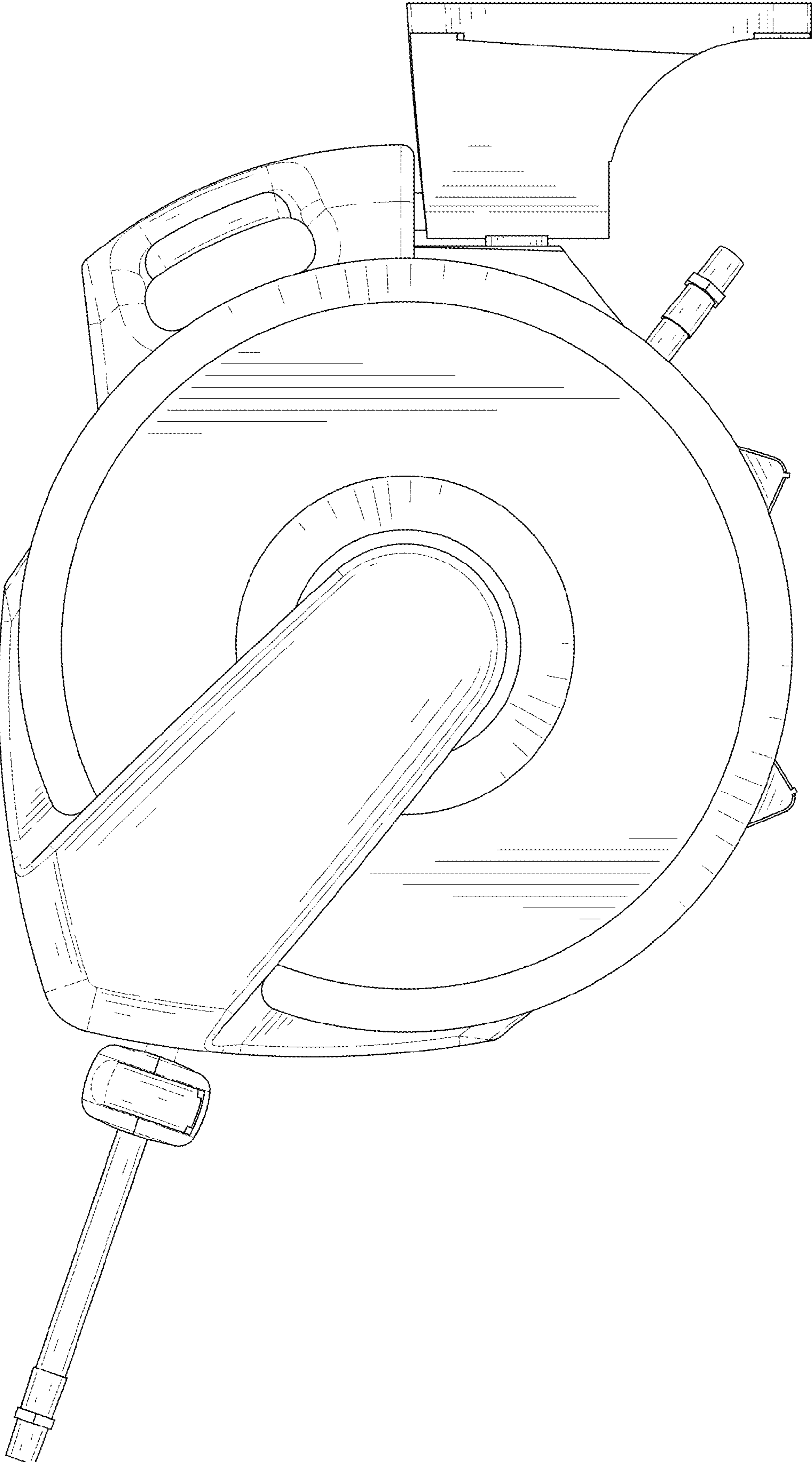


FIG. 4

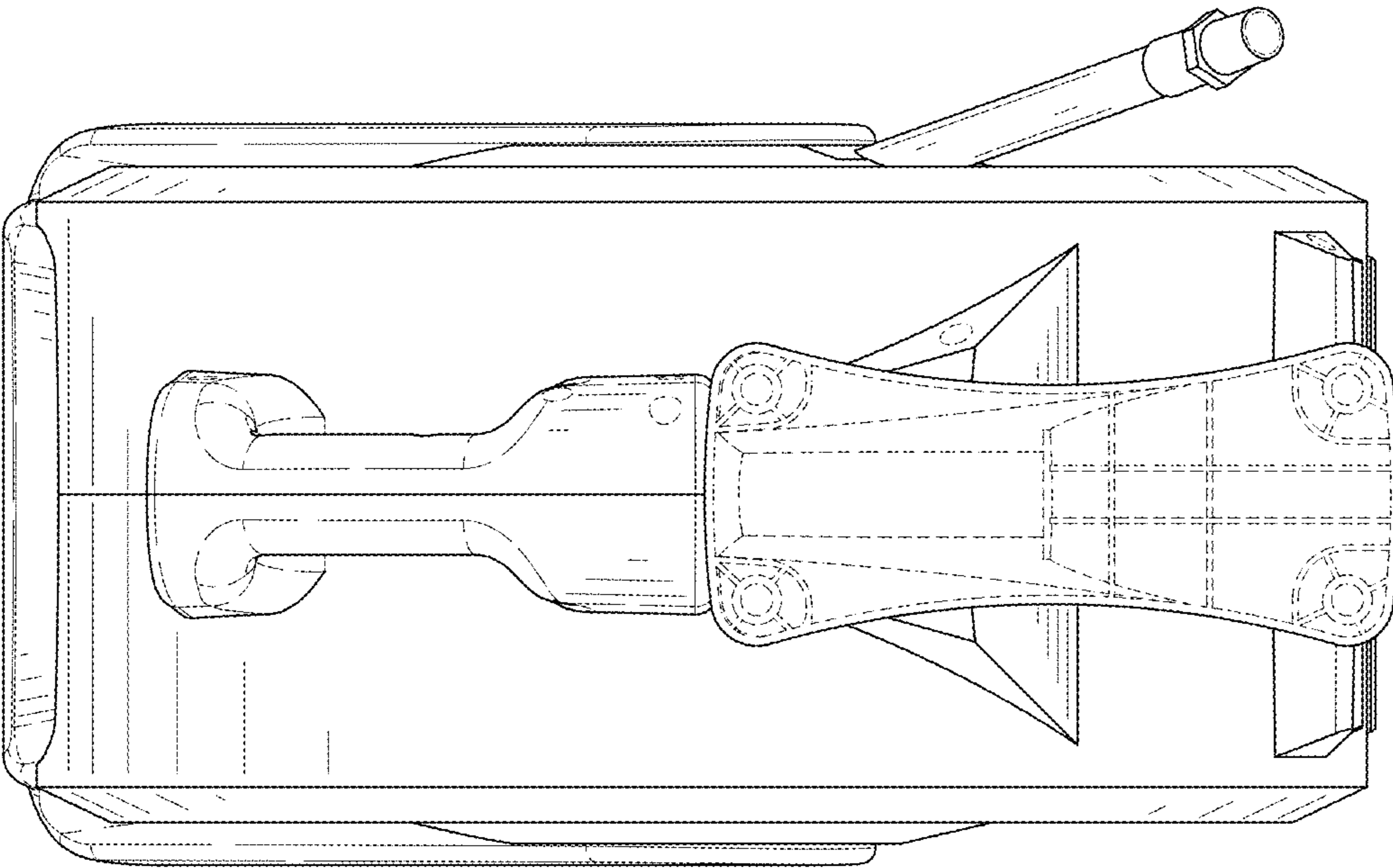


FIG. 5

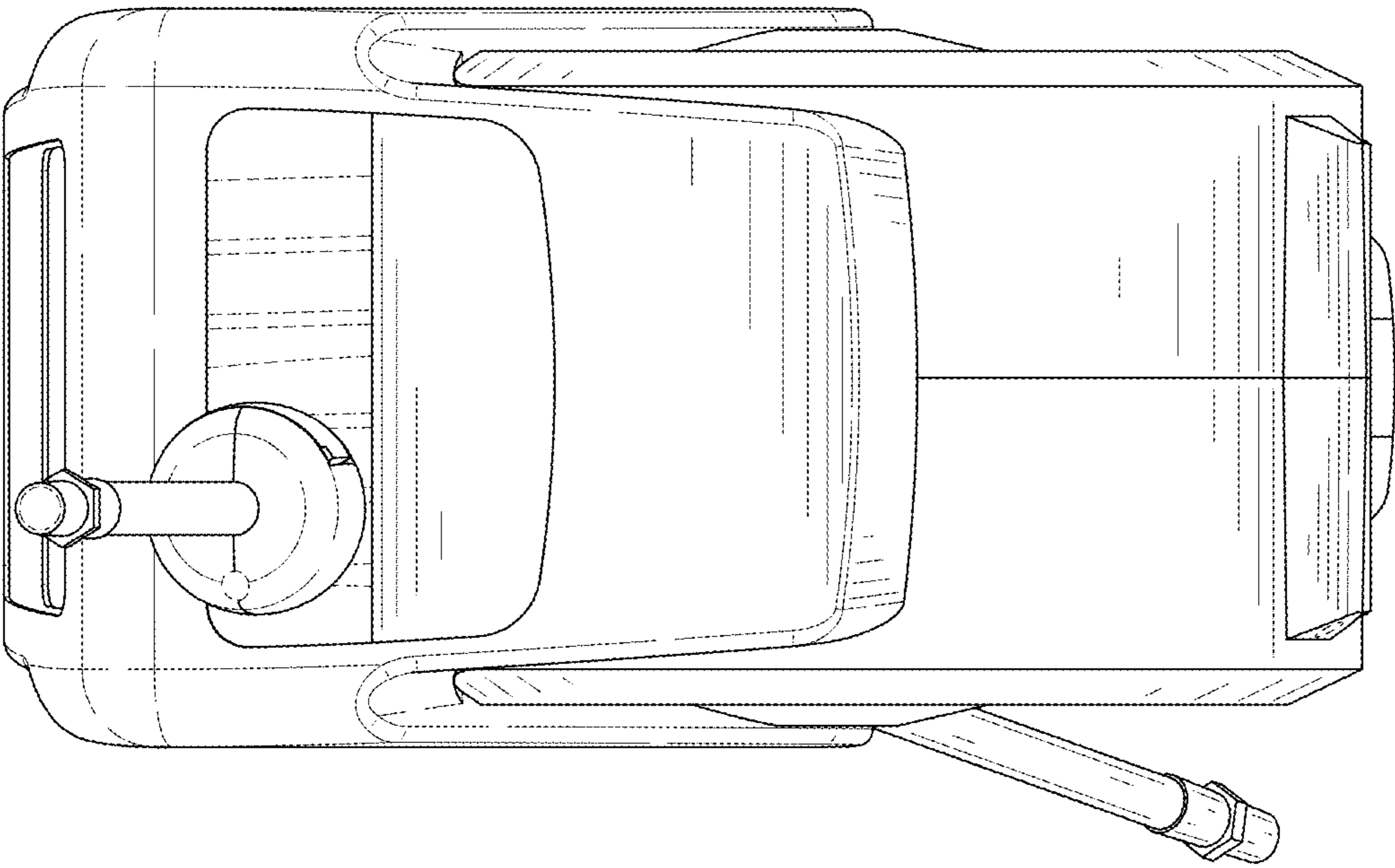


FIG. 6

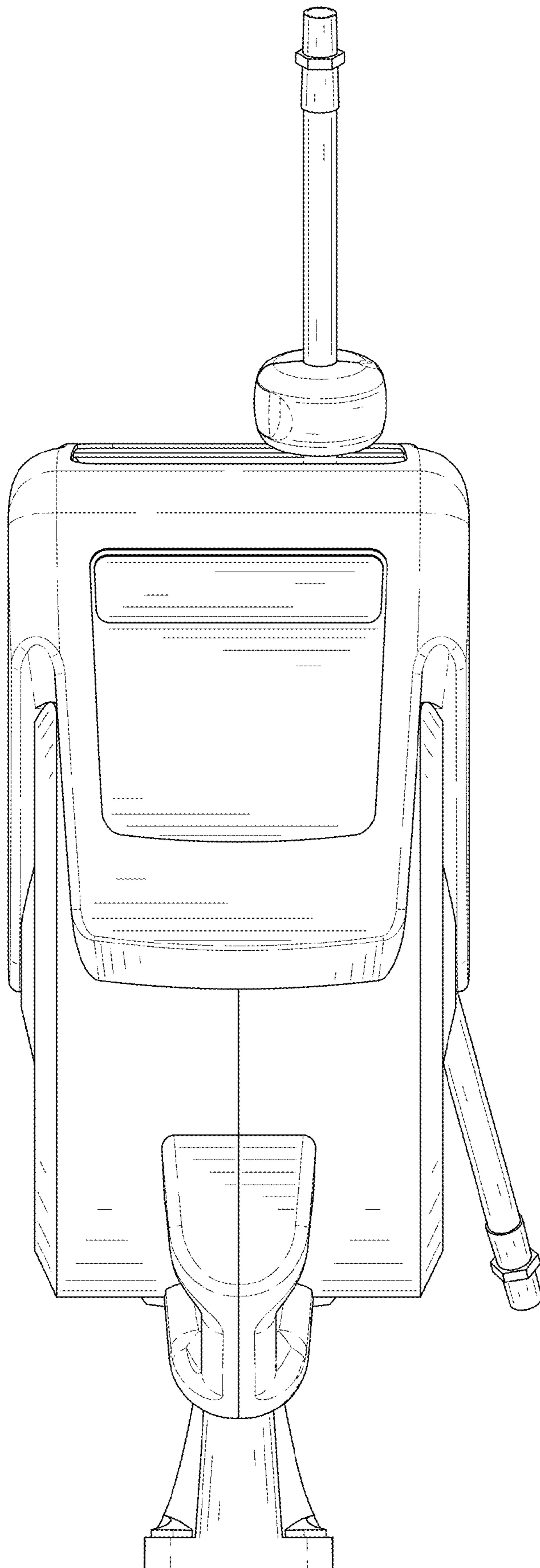


FIG. 7

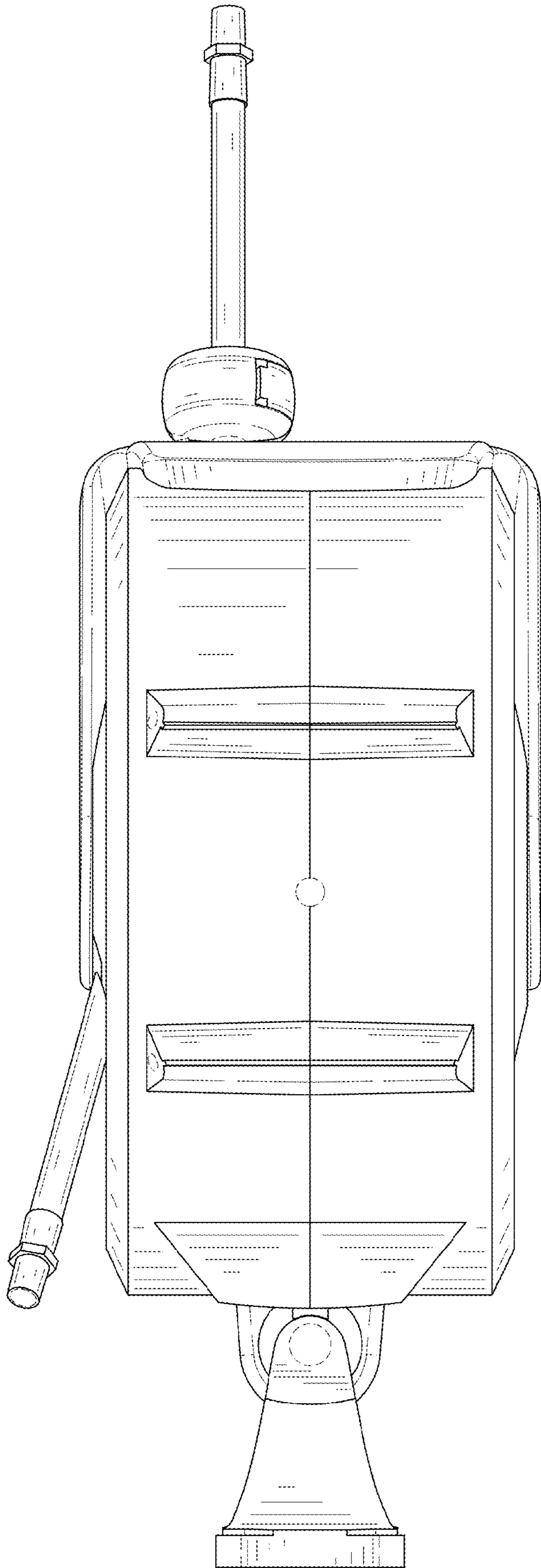


FIG. 8