

US00D960689S

(12) **United States Design Patent**
Li

(10) **Patent No.:** **US D960,689 S**

(45) **Date of Patent:** **** *Aug. 16, 2022**

(54) **COMBINED PROTECTIVE CASE AND HANGER FOR WIRE**

(71) Applicant: **Jichang Li**, Jiangxi (CN)

(72) Inventor: **Jichang Li**, Jiangxi (CN)

(*) Notice: This patent is subject to a terminal disclaimer.

(**) Term: **15 Years**

(21) Appl. No.: **29/709,076**

(22) Filed: **Oct. 11, 2019**

(30) **Foreign Application Priority Data**

Aug. 1, 2019 (CN) 201930414856.7

(51) **LOC (13) Cl.** **09-06**

(52) **U.S. Cl.**
USPC **D8/356**; D8/367; D8/373

(58) **Field of Classification Search**
USPC D6/315-328; D8/349, 354, 355, 356,
D8/357, 373, 380, 394, 367
CPC B65D 85/04; B65H 2701/36; B65H 51/20;
B65H 75/14; B65H 75/4434; B65H
75/362; G11C 11/04

See application file for complete search history.

(56) **References Cited**

U.S. PATENT DOCUMENTS

- 2,017,761 A * 10/1935 Leonard A47G 25/66
223/95
- D207,874 S * 6/1967 Bender D8/355
- 3,537,625 A * 11/1970 Nuttall A47G 25/743
223/85
- D249,226 S * 9/1978 Hills D8/367
- 4,763,942 A * 8/1988 Lyon A22B 5/06
294/81.5

- 5,718,358 A * 2/1998 Long A47G 25/442
223/85
- D393,587 S * 4/1998 Valerio D8/367
- 5,941,429 A * 8/1999 Koons A47G 25/442
223/94
- D438,449 S * 3/2001 Taylor D8/356
- 6,328,186 B1 * 12/2001 Wing A47G 25/20
223/89
- D453,630 S * 2/2002 Chan D6/315
- 6,467,623 B1 * 10/2002 Lewis A47F 5/025
206/388
- D465,259 S * 11/2002 Pearl D23/213
- 7,222,761 B1 * 5/2007 Licwinko A47G 25/442
223/85
- D646,557 S * 10/2011 Chan D8/367
- D724,415 S * 3/2015 Lu D8/373
- D914,488 S * 3/2021 Roberts D8/356
- 2007/0164172 A1 * 7/2007 Czajor H02G 11/00
248/90

(Continued)

Primary Examiner — Lauren R Calve

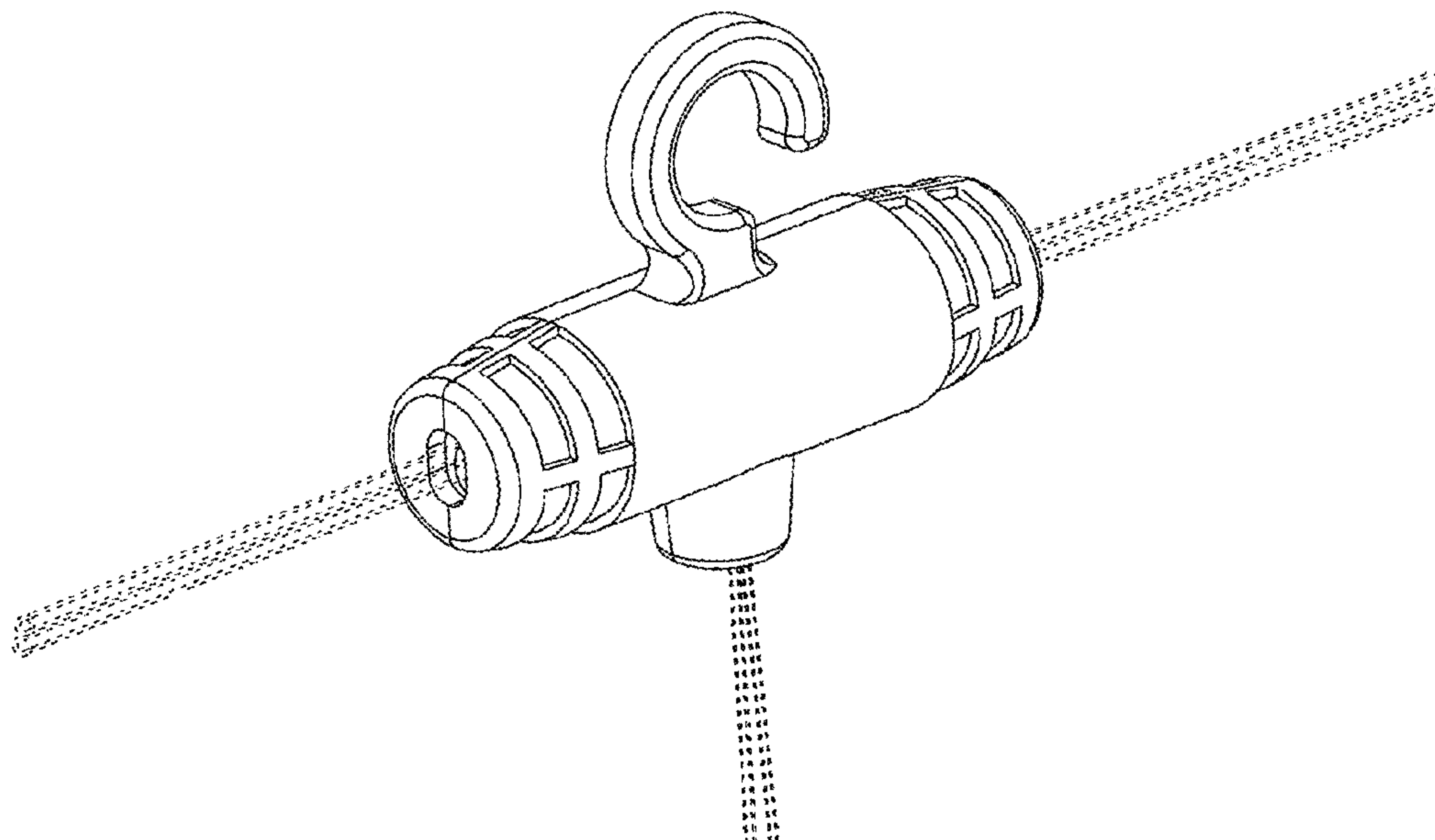
(57) **CLAIM**

The ornamental design for a combined protective case and hanger for wire, as shown and described.

DESCRIPTION

FIG. 1 is a front elevational view of a combined protective case and hanger for wire showing my new design; FIG. 2 is a rear elevational view thereof; FIG. 3 is a left side view thereof; FIG. 4 is a right side view thereof; FIG. 5 is a top plan view thereof; FIG. 6 is a bottom plan view thereof; and, FIG. 7 is a perspective view thereof. The broken lines shown represent portions of the combined protective case and hanger for wire and environmental features that form no part of the claimed design.

1 Claim, 7 Drawing Sheets



(56)

References Cited

U.S. PATENT DOCUMENTS

2009/0205991 A1* 8/2009 Lill B65H 75/362
206/438
2011/0259926 A1* 10/2011 Hernandez A47G 25/4023
223/85
2018/0055265 A1* 3/2018 Jewayni A47G 25/20

* cited by examiner

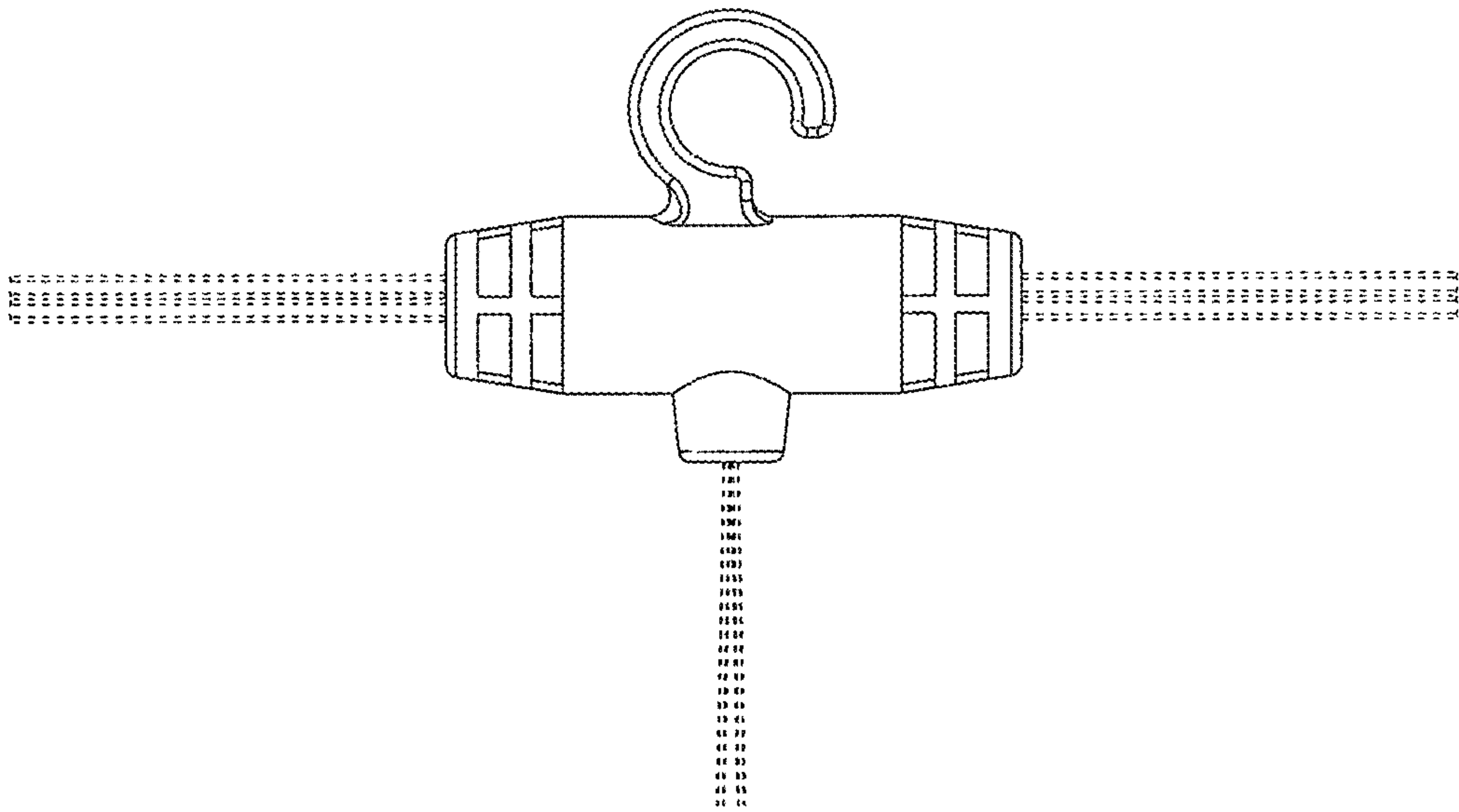


FIG. 1

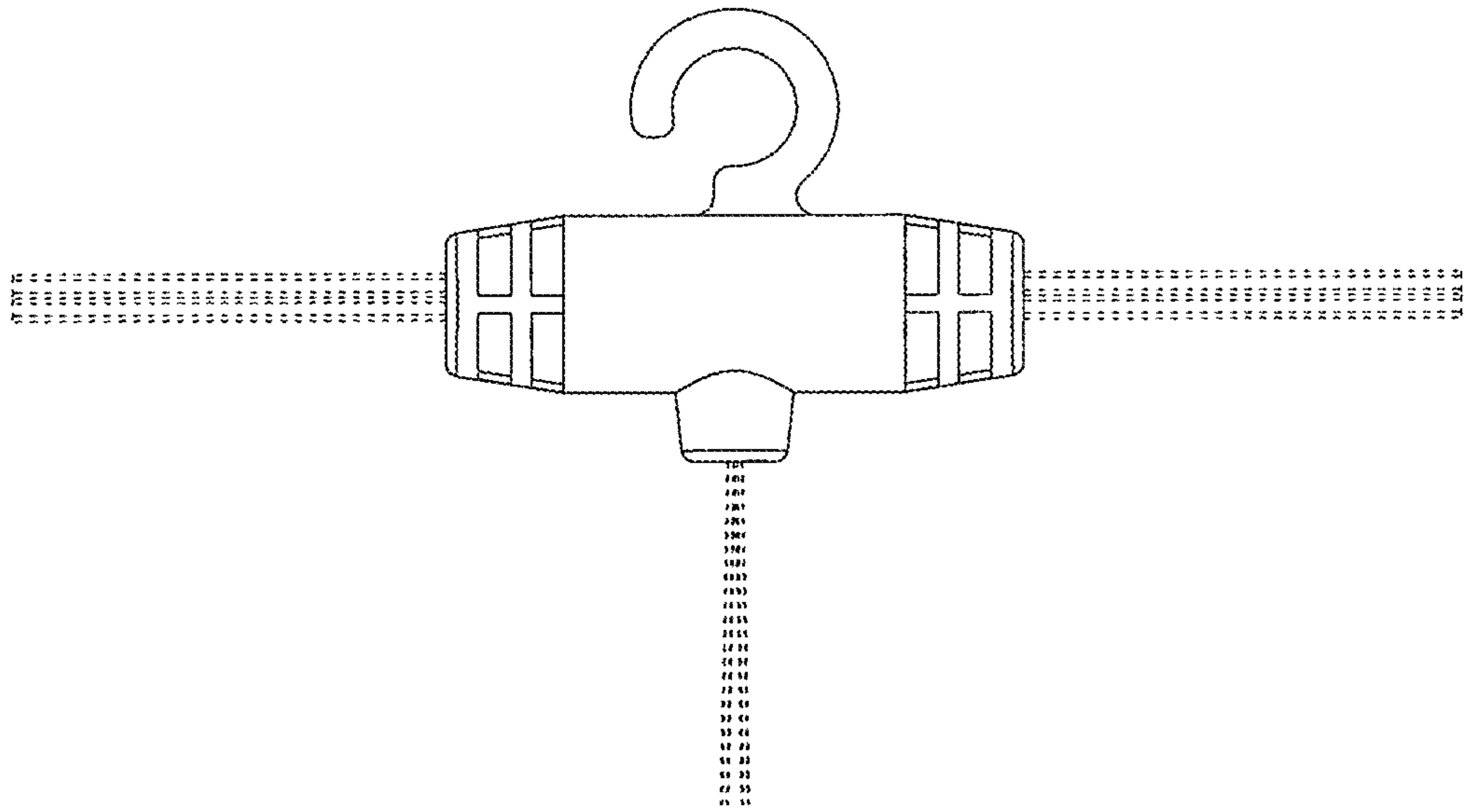


FIG. 2

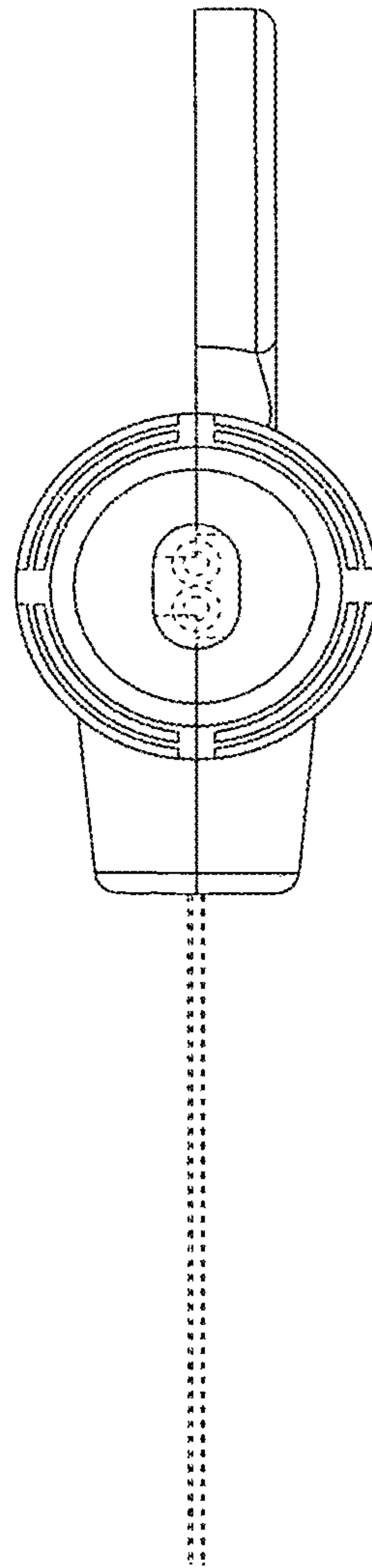


FIG. 3

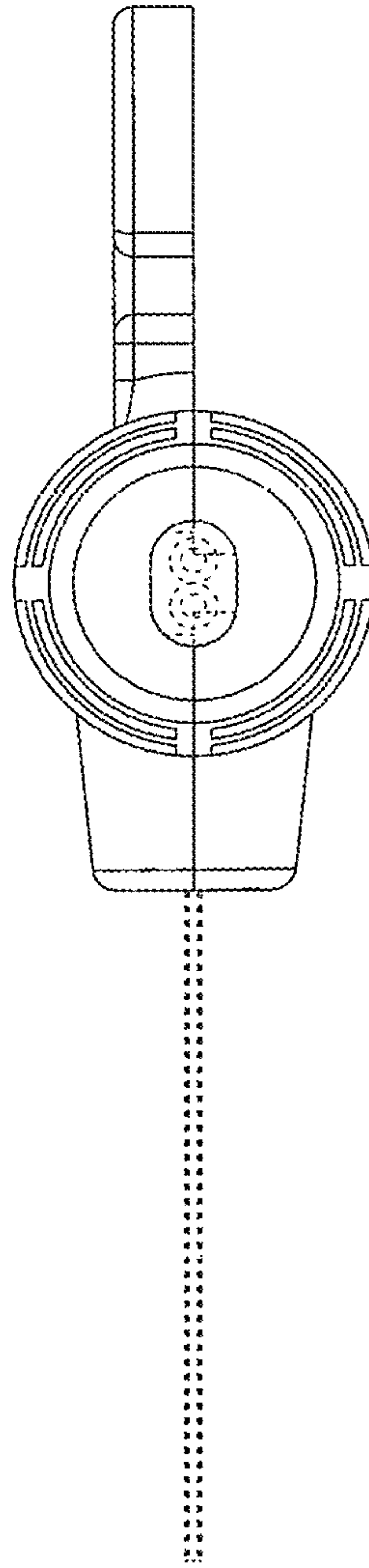


FIG. 4

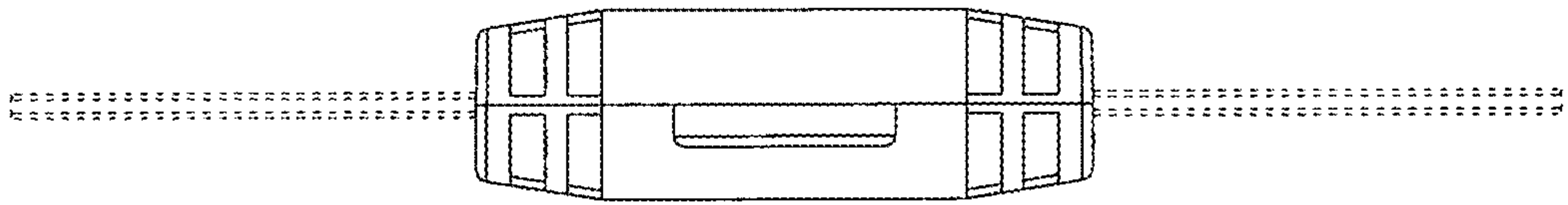


FIG. 5

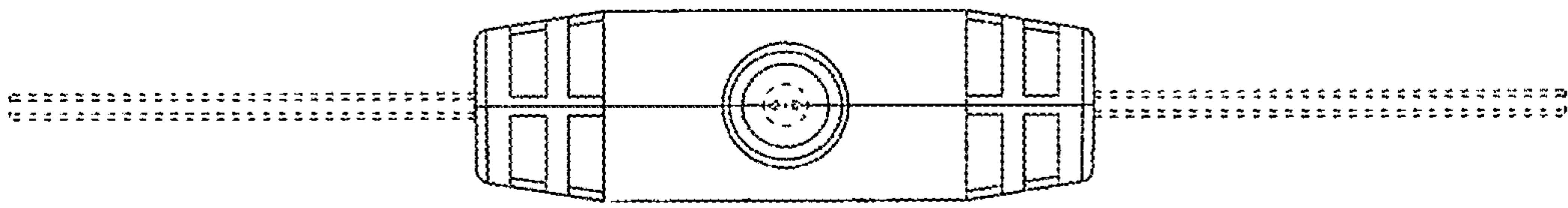


FIG. 6

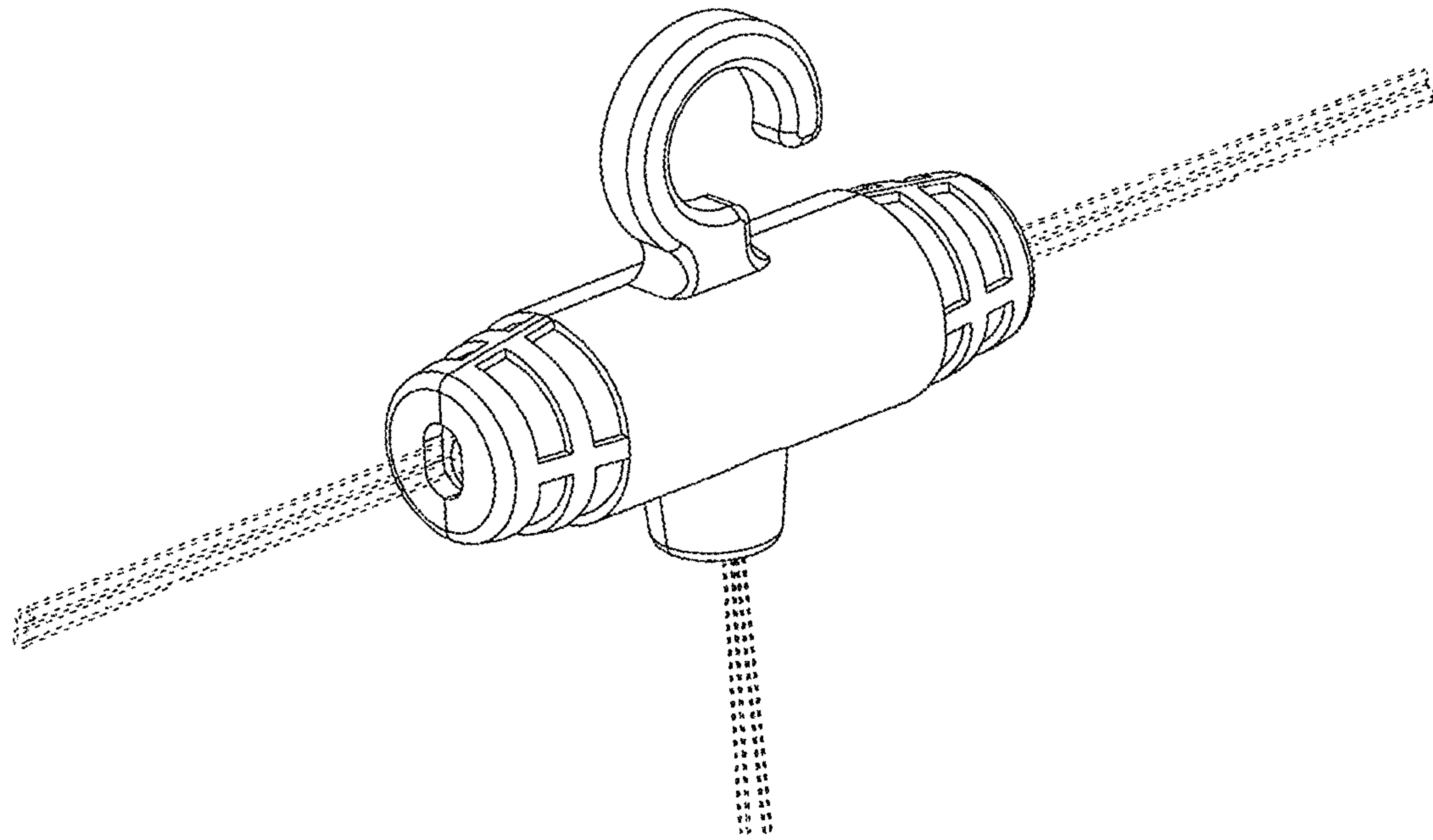


FIG. 7