



US00D960687S

(12) **United States Design Patent**
Underwood

(10) **Patent No.:** **US D960,687 S**

(45) **Date of Patent:** **** Aug. 16, 2022**

(54) **GATE HANGING BRACKET**

(71) Applicant: **Randy C. Underwood**, Malvern, AR
(US)

(72) Inventor: **Randy C. Underwood**, Malvern, AR
(US)

(**) Term: **15 Years**

(21) Appl. No.: **29/717,673**

(22) Filed: **Dec. 18, 2019**

(51) **LOC (13) Cl.** **08-05**

(52) **U.S. Cl.**
USPC **D8/354**

(58) **Field of Classification Search**
USPC D8/354, 349, 353, 363, 373, 382, 387,
D8/388; D20/42, 43; D6/320; D15/28;
D25/28, 68, 133
CPC F16B 7/0426; Y10S 292/60; Y10S
292/1086; Y10S 292/432; Y10T
403/7194; Y10T 403/7105; E06B 3/9687;
E06B 3/9641; E06B 11/02
See application file for complete search history.

(56) **References Cited**

U.S. PATENT DOCUMENTS

- D306,690 S * 3/1990 Bison D8/373
- D310,016 S * 8/1990 Johansson 248/640
- 5,143,413 A * 9/1992 Vandenhoek F16B 7/0426
292/205
- D469,342 S * 1/2003 Metzentine D8/373
- 7,210,200 B2 * 5/2007 Hoffman B60J 5/0472
16/367
- 7,500,655 B1 * 3/2009 Smith E06B 11/02
256/27
- 8,468,749 B1 * 6/2013 Dufresne E06B 11/045
49/404
- D756,202 S * 5/2016 Leduc D8/354
- D768,466 S * 10/2016 Simmons D8/354

- 9,518,424 B1 * 12/2016 Woodard E05D 7/0009
- D780,557 S * 3/2017 Foley D8/354
- D781,451 S * 3/2017 Bokros D25/68
- D783,390 S * 4/2017 Nelson D8/382
- 9,650,819 B2 * 5/2017 Bultschnieder E05D 15/00
- D811,853 S * 3/2018 Foley D8/354
- D811,863 S * 3/2018 Beyerle D8/373
- D826,695 S * 8/2018 Bolster D8/354
- D839,081 S * 1/2019 Iellimo D8/354
- D841,741 S * 2/2019 White D20/43
- D842,684 S * 3/2019 House D8/354
- D843,823 S * 3/2019 Bouchard D8/382
- D863,040 S * 10/2019 DeDios-Shirley D8/354
- D869,936 S * 12/2019 Smith D8/349

(Continued)

Primary Examiner — Catherine S Posthauer

(74) *Attorney, Agent, or Firm* — Dunlap Bennett &
Ludwig, PLLC

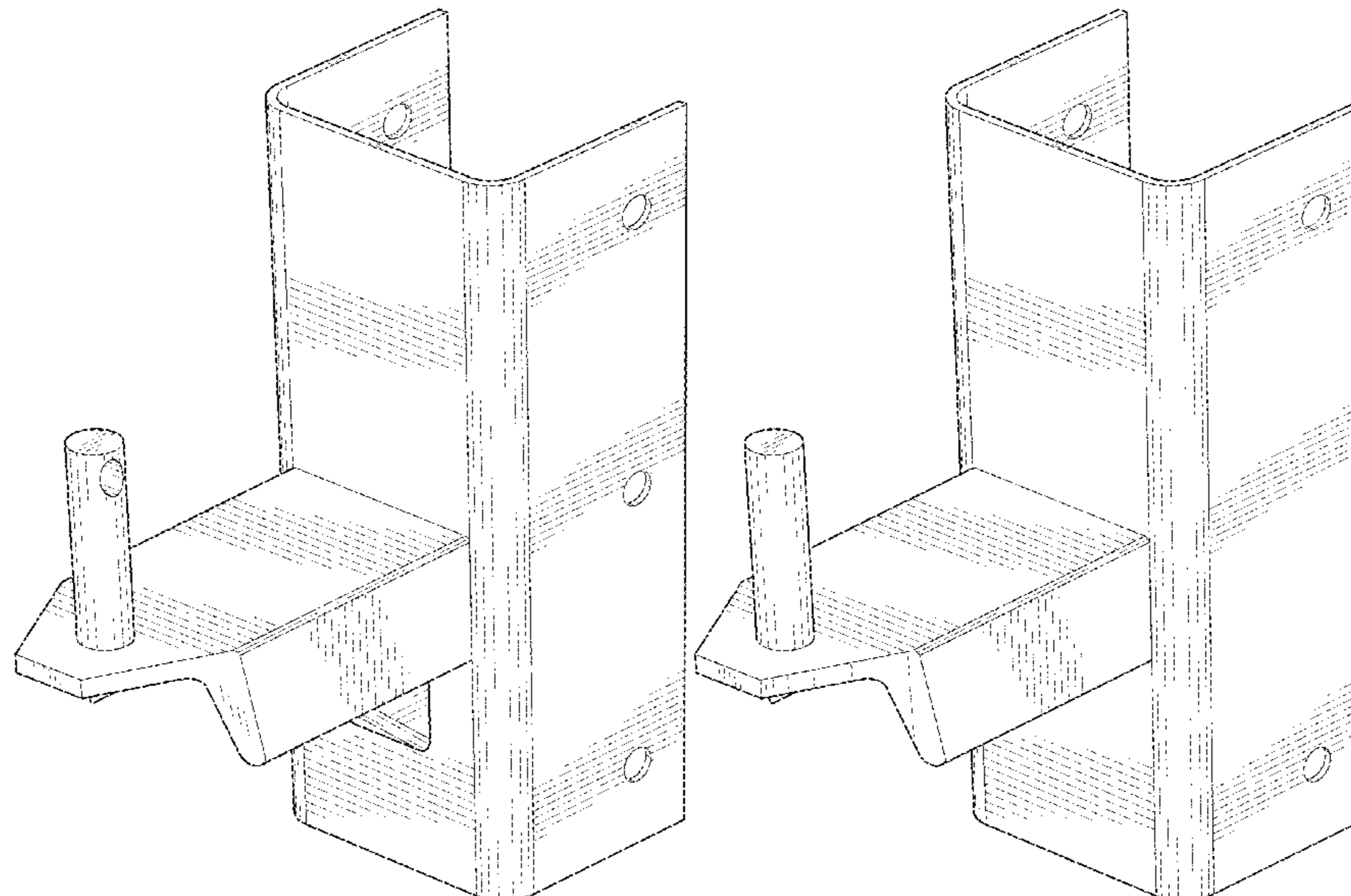
(57) **CLAIM**

The ornamental design for a gate hanging bracket, as shown
and described.

DESCRIPTION

FIG. 1 is a perspective view of a first embodiment of a gate hanging bracket, showing my new design;
 FIG. 2 is a right-side elevation view thereof;
 FIG. 3 is a left-side elevation view thereof;
 FIG. 4 is a front elevation view thereof;
 FIG. 5 is a rear elevation view thereof;
 FIG. 6 is a top plan view thereof;
 FIG. 7 is a bottom plan view thereof;
 FIG. 8 is a perspective view of a second embodiment of the gate hanging bracket;
 FIG. 9 is a right-side elevation view thereof;
 FIG. 10 is a left-side elevation view thereof;
 FIG. 11 is a front elevation view thereof;
 FIG. 12 is a rear elevation view thereof;
 FIG. 13 is a top plan view thereof; and,
 FIG. 14 is a bottom plan view thereof.

1 Claim, 12 Drawing Sheets



(56)

References Cited

U.S. PATENT DOCUMENTS

10,590,644 B2 * 3/2020 Naylor E04B 1/66
D886,569 S * 6/2020 Vlad D8/354
D888,644 S * 6/2020 Marling D12/304
D904,171 S * 12/2020 Ochi D8/354
D905,537 S * 12/2020 Marsden D8/354
D908,471 S * 1/2021 Cronkhite D8/354
D911,151 S * 2/2021 Smith D8/354
2002/0046525 A1 * 4/2002 Rice F16B 9/056
52/481.1
2005/0063770 A1 * 3/2005 Gross E06B 3/984
403/205
2009/0315009 A1 * 12/2009 Walker E06B 3/9687
256/73
2019/0338588 A1 * 11/2019 King E05D 3/02

* cited by examiner

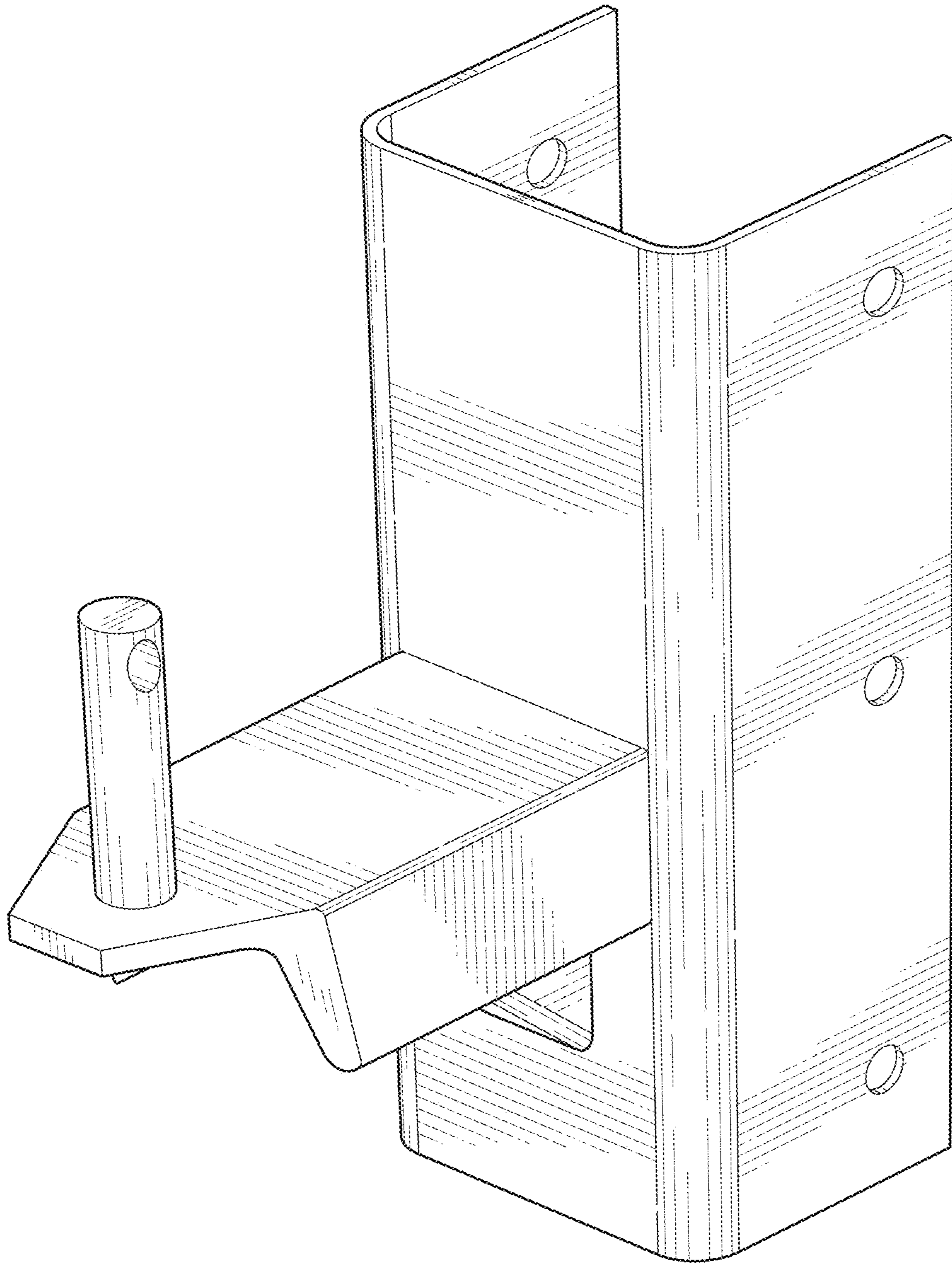


FIG. 1

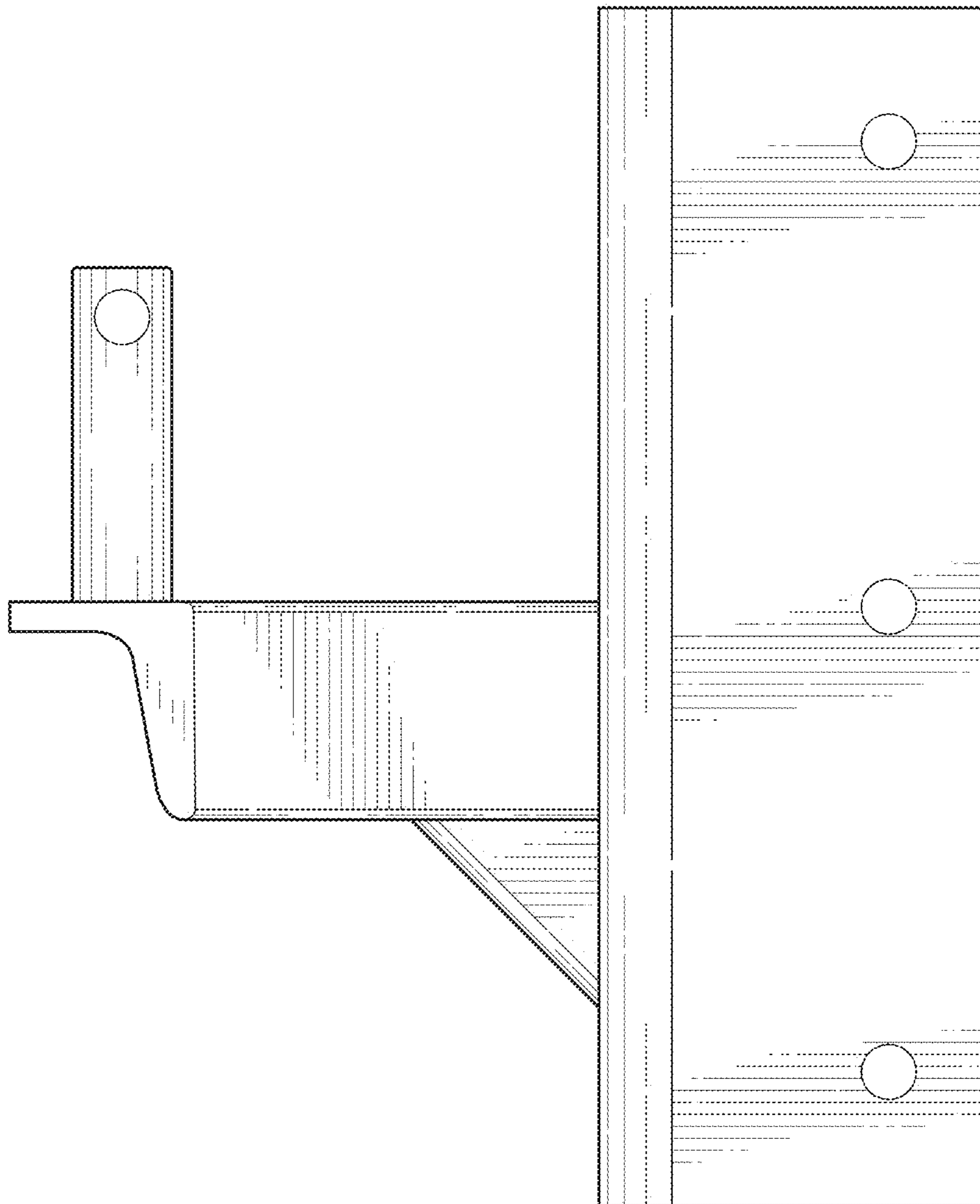


FIG. 2

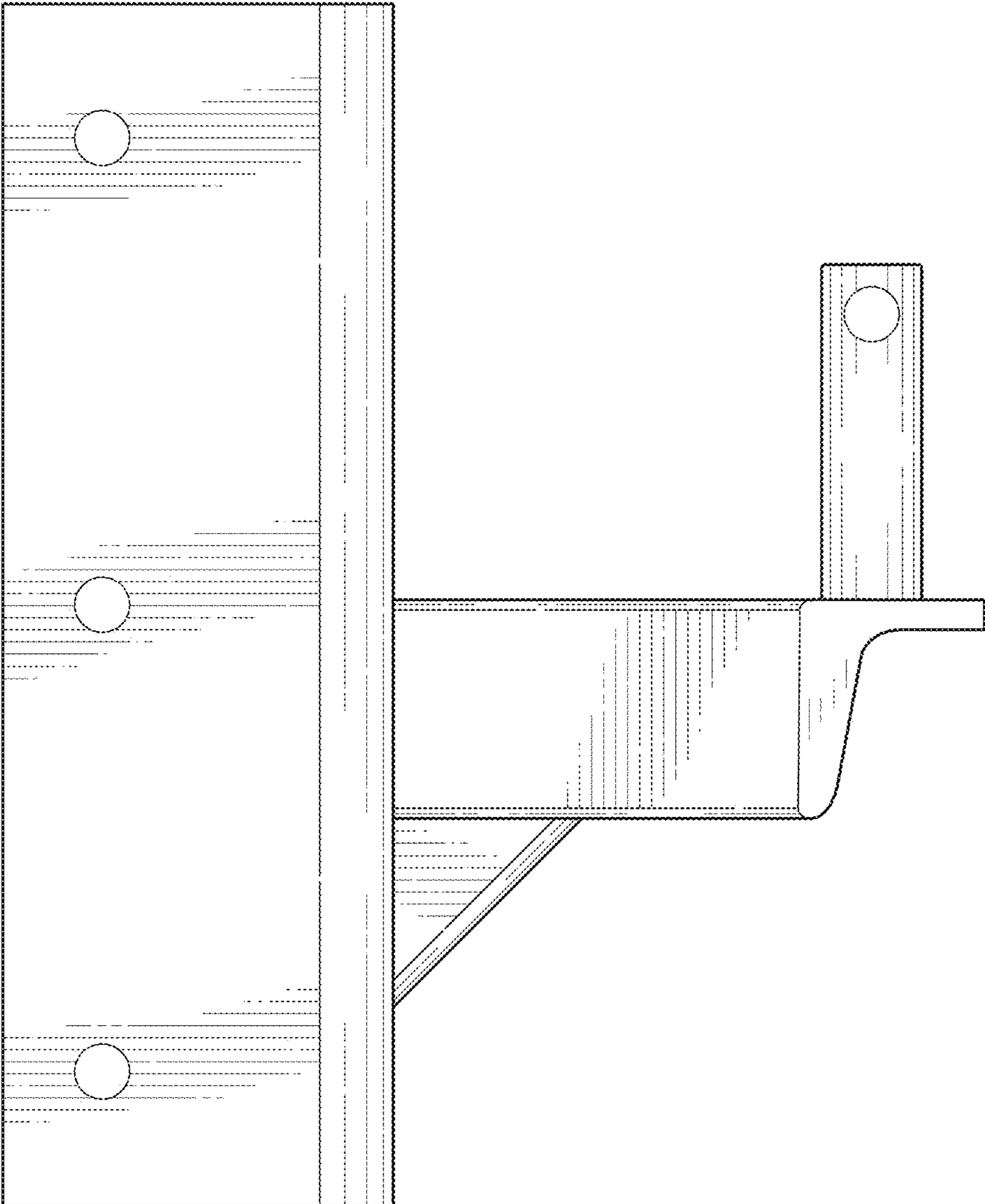


FIG. 3

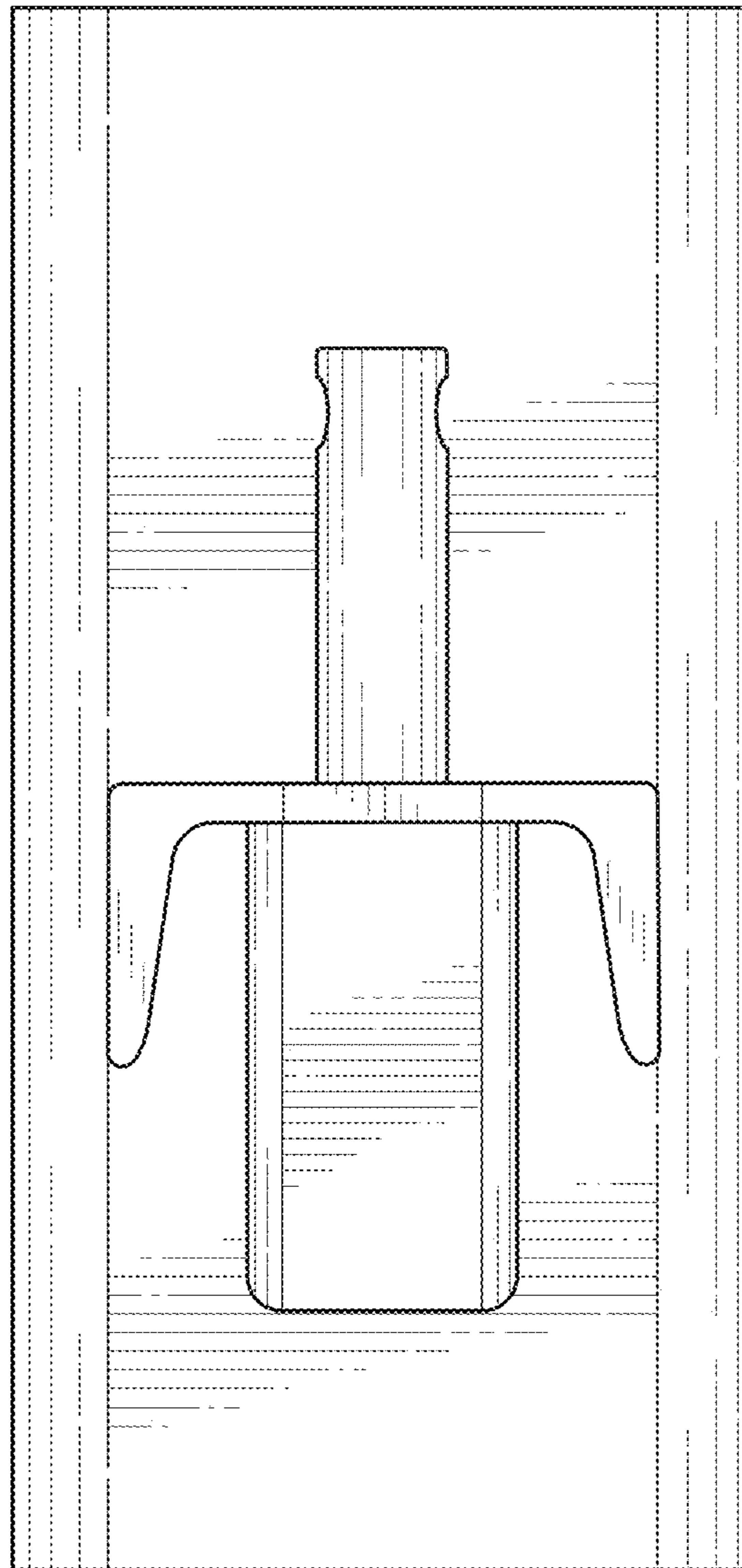


FIG. 4

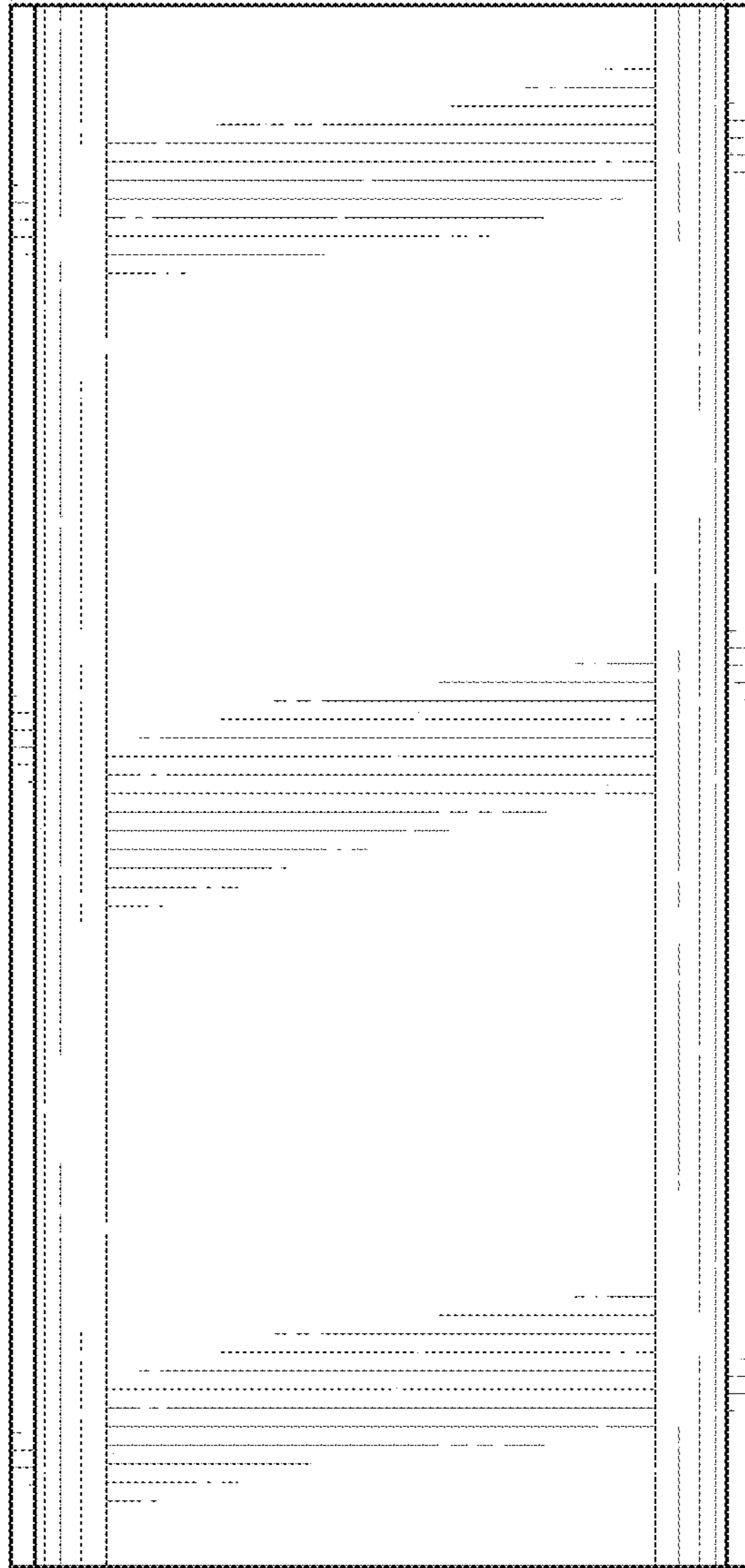


FIG. 5

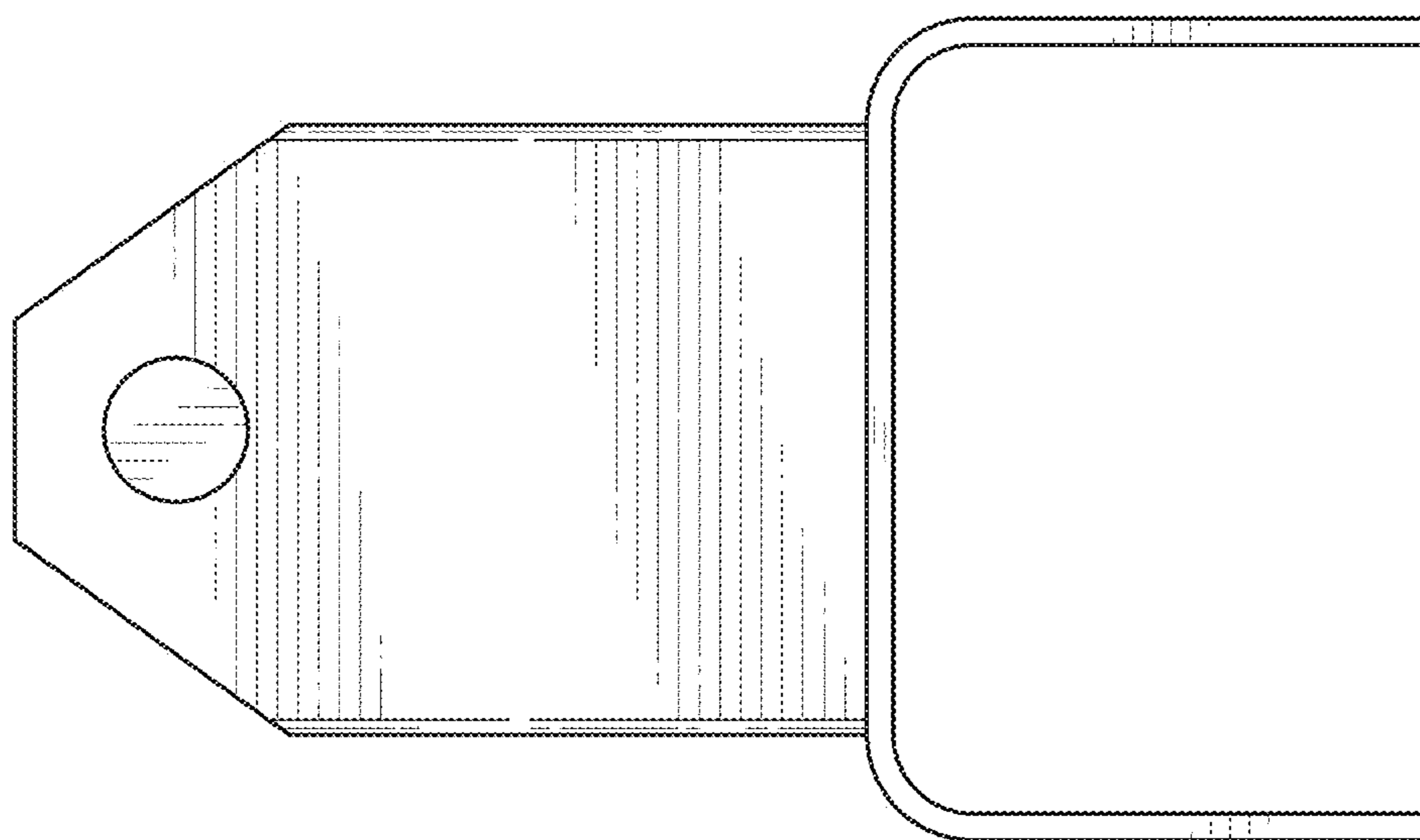


FIG. 6

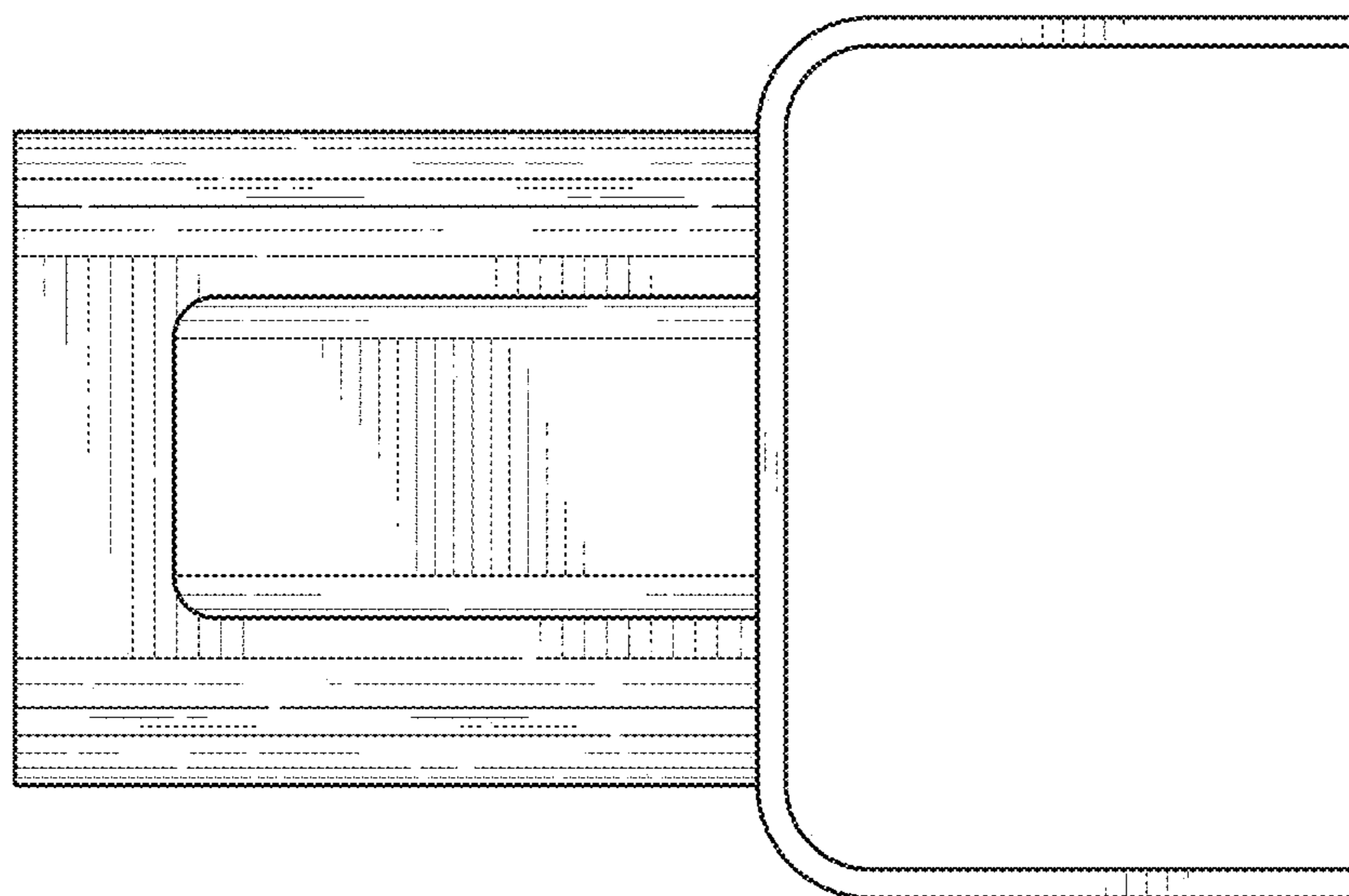


FIG. 7

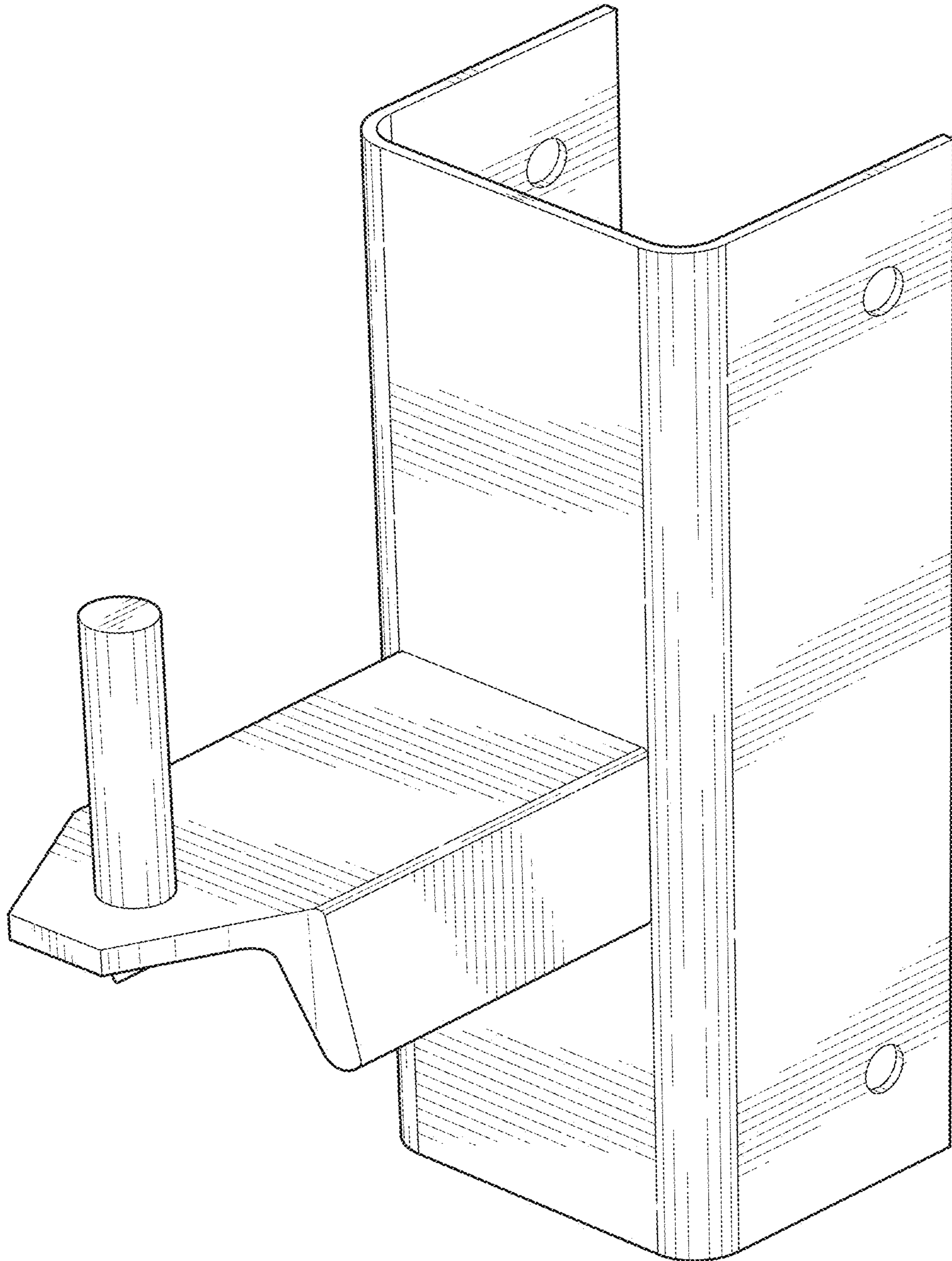


FIG. 8

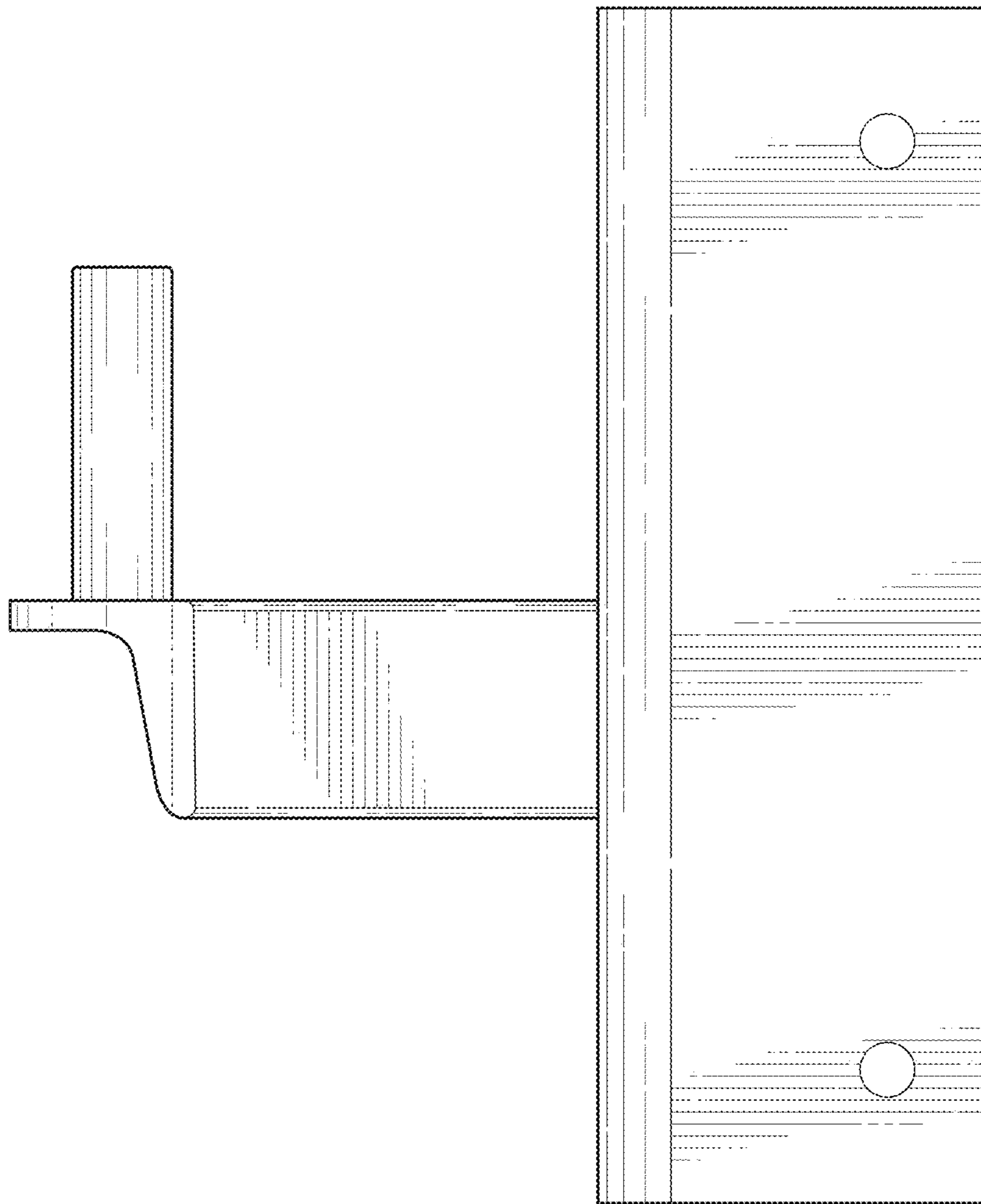


FIG. 9

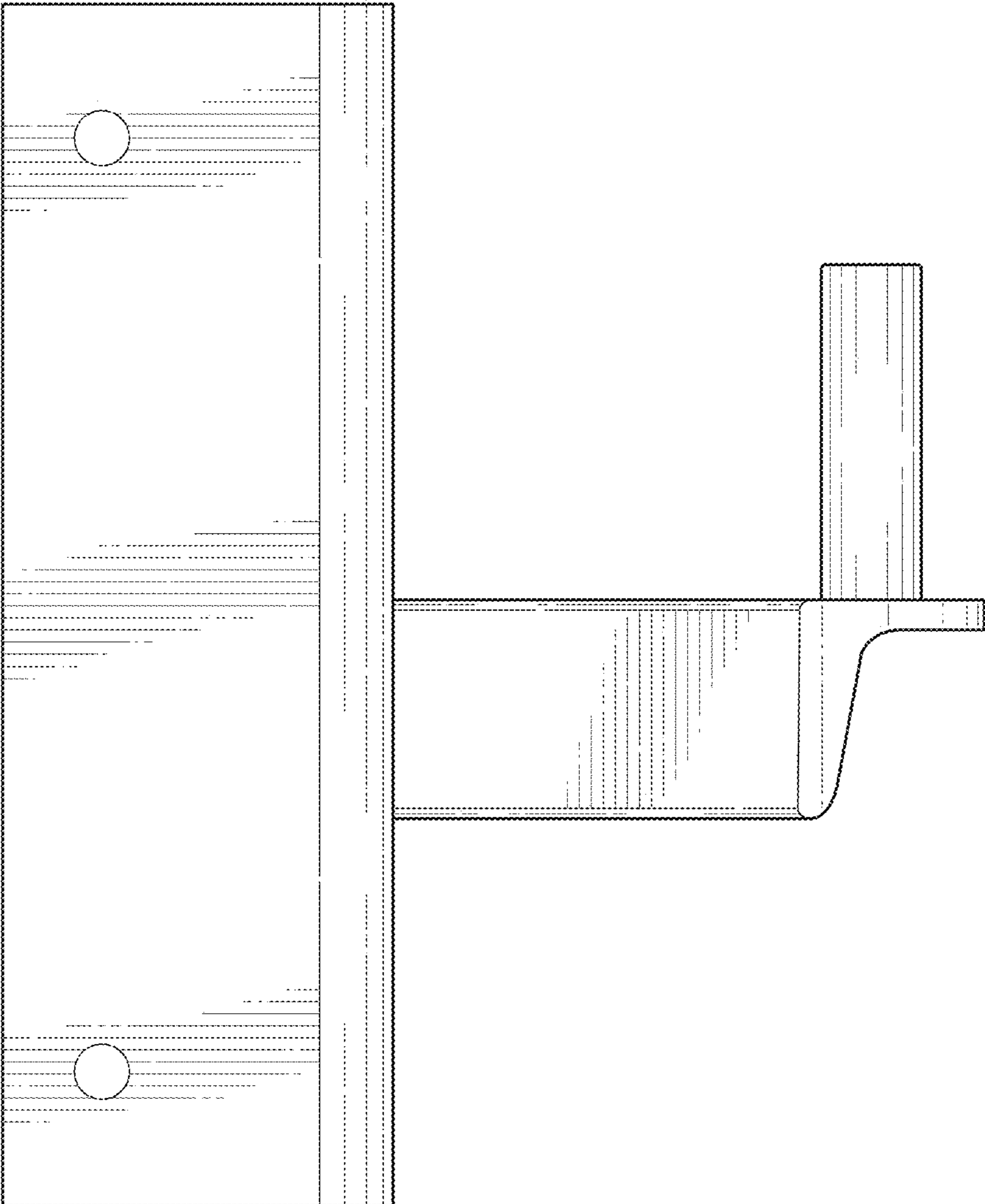


FIG. 10

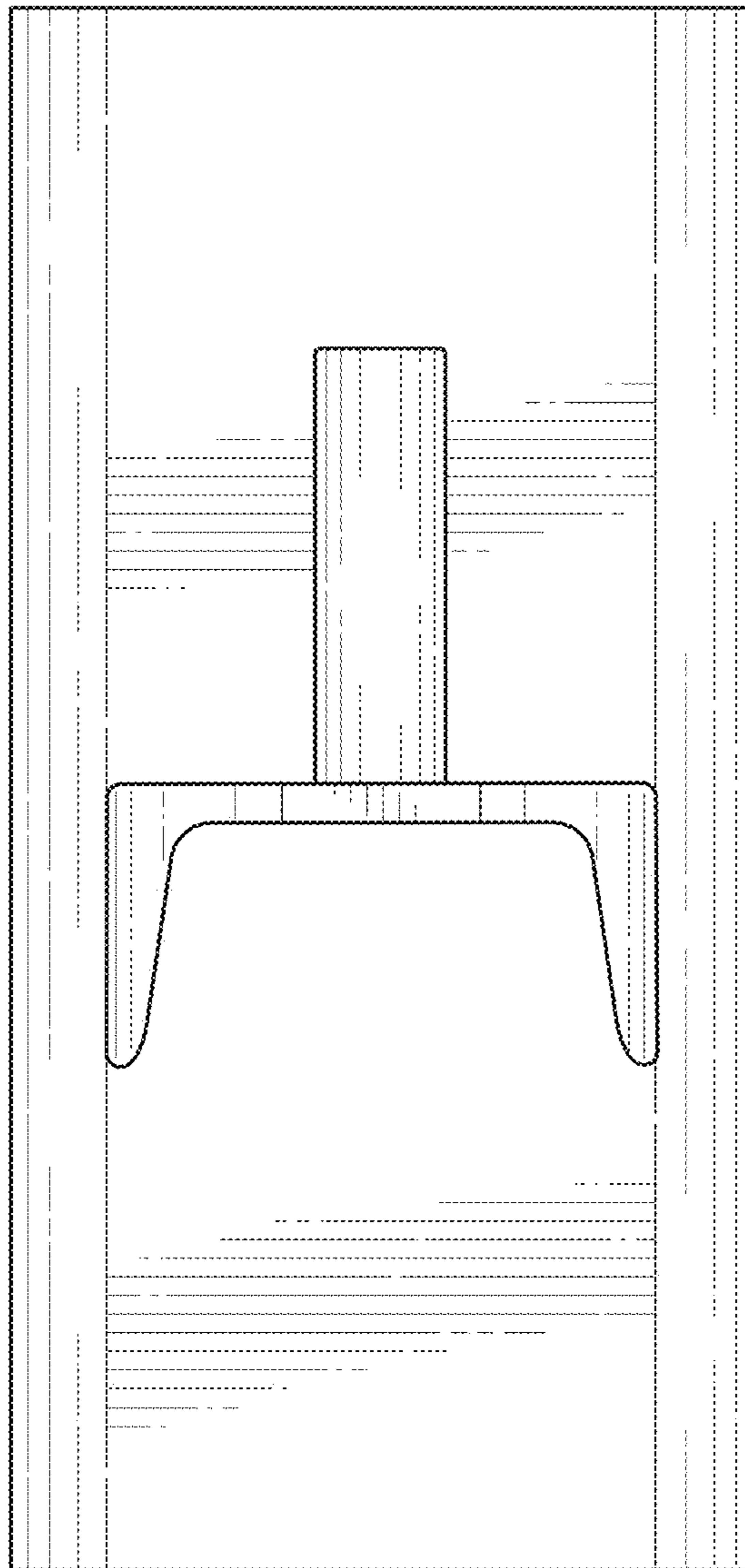


FIG. 11

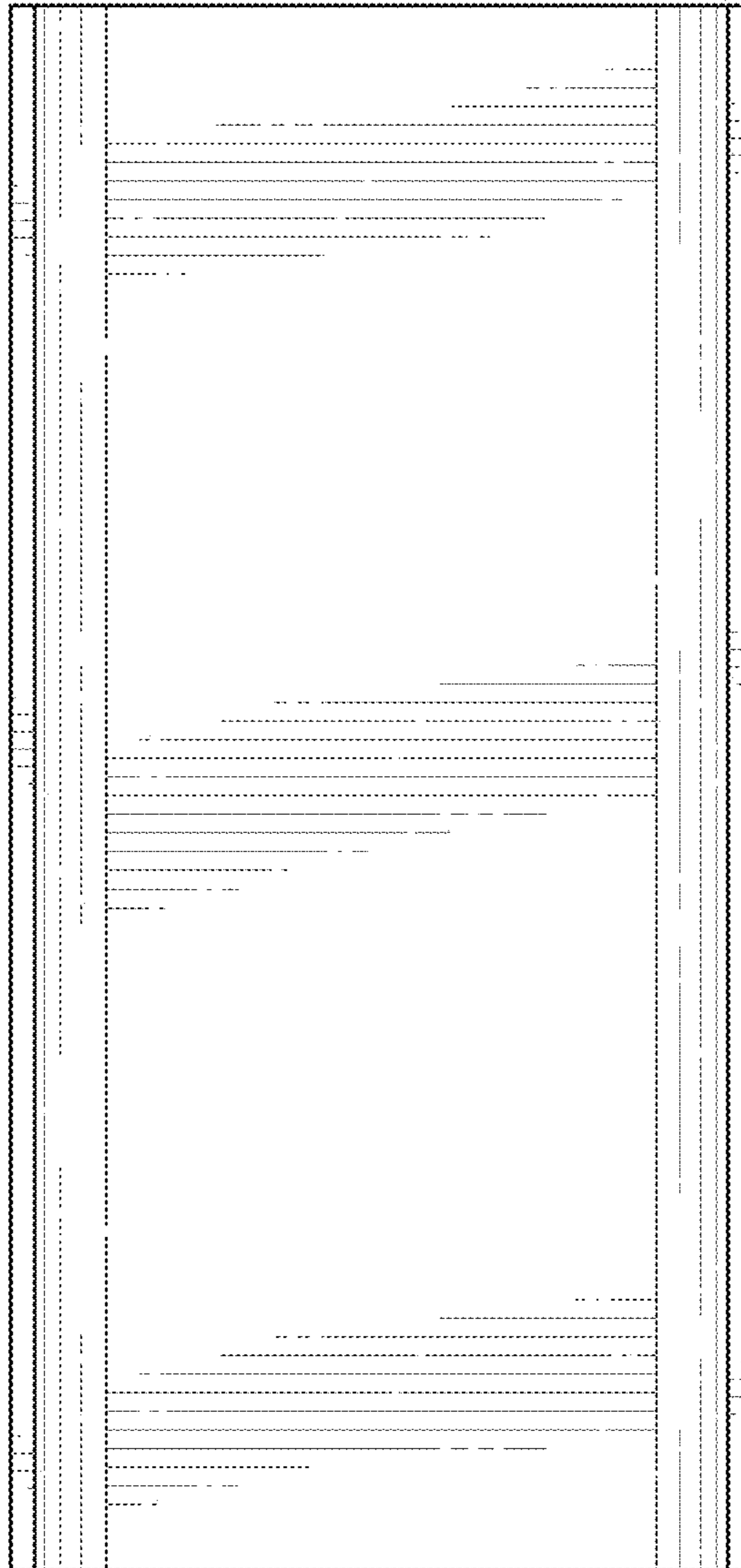


FIG. 12

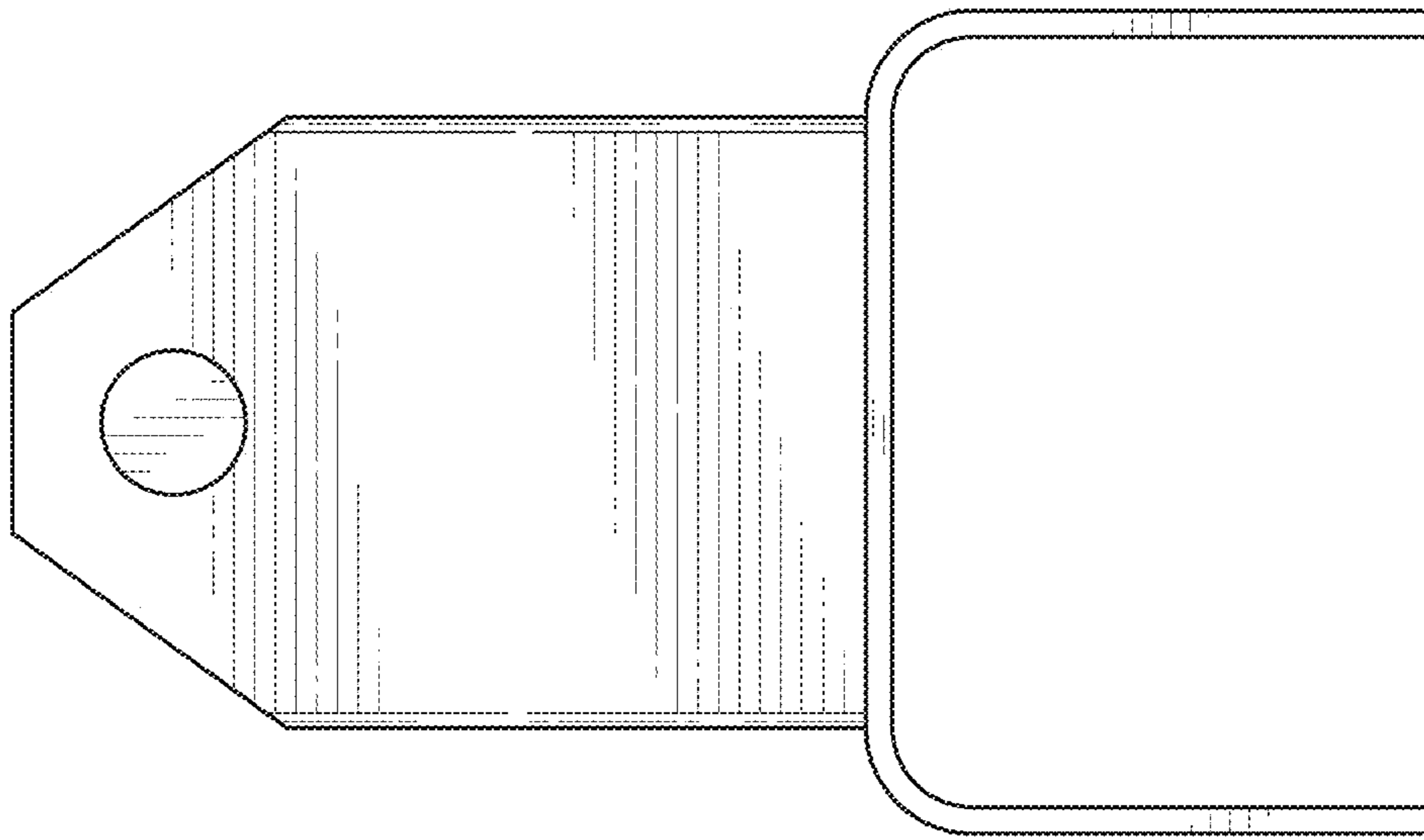


FIG. 13

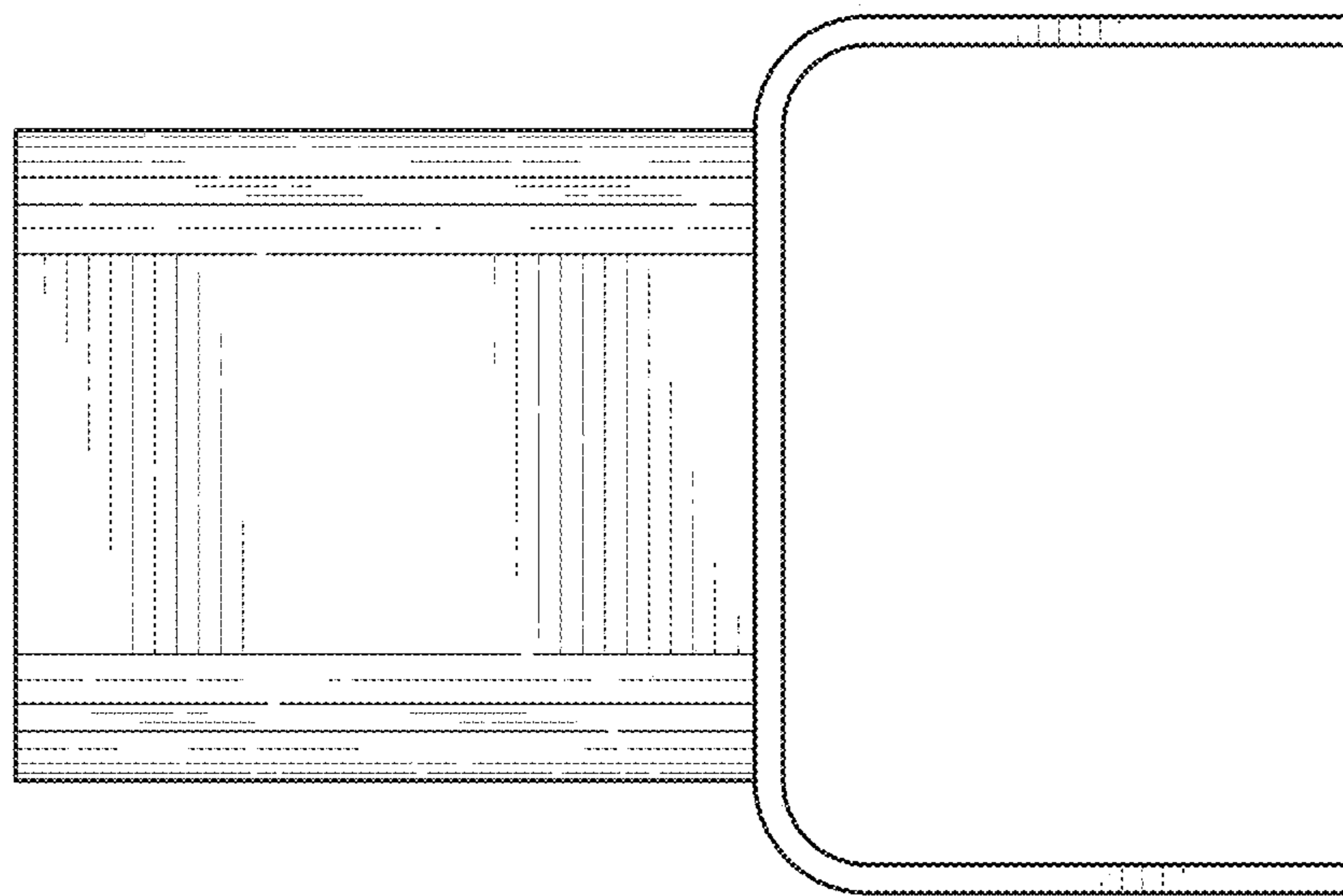


FIG. 14