



US00D960684S

(12) **United States Design Patent** (10) **Patent No.:** **US D960,684 S**  
**Gualtieri** (45) **Date of Patent:** **\*\* Aug. 16, 2022**

(54) **BRACKET**

(71) Applicant: **Orazio Gualtieri**, London (GB)

(72) Inventor: **Orazio Gualtieri**, London (GB)

(\*\*) Term: **15 Years**

(21) Appl. No.: **29/741,687**

(22) Filed: **Jul. 15, 2020**

(30) **Foreign Application Priority Data**

Jan. 29, 2020 (EM) ..... 007570221-0002

(51) **LOC (13) Cl.** ..... **08-08**

(52) **U.S. Cl.**  
USPC ..... **D8/349**

(58) **Field of Classification Search**  
USPC ..... D8/363, 373, 354, 394, 349; D16/200,  
D16/204, 208, 213-219, 235, 237-250;  
D14/203, 209, 217, 224, 250-253, 345,  
D14/440  
CPC ..... G03B 17/02; G03B 17/04; G03B 17/14;  
G03B 21/20-2066; G03B 15/041-0436;  
G03B 17/56; G03B 17/19  
See application file for complete search history.

(56) **References Cited**

**U.S. PATENT DOCUMENTS**

D622,578 S \* 8/2010 Kollman ..... D8/380  
D649,016 S \* 11/2011 Rasmussen ..... D8/354

D655,149 S \* 3/2012 Dotsey ..... D8/354  
D663,190 S \* 7/2012 Mota ..... D8/349  
D667,288 S \* 9/2012 Preda ..... D8/354  
D667,289 S \* 9/2012 Preda ..... D8/354  
D684,033 S \* 6/2013 Preda ..... D8/354  
D699,097 S \* 2/2014 Chung ..... D8/354  
D729,043 S \* 5/2015 Poppell ..... D8/354  
D747,177 S \* 1/2016 McGinty ..... D8/349  
D750,468 S \* 3/2016 Bird ..... D8/354  
D750,469 S \* 3/2016 Bird ..... D8/354  
D763,062 S \* 8/2016 Tatem ..... D8/354

\* cited by examiner

*Primary Examiner* — Mark A Goodwin

(74) *Attorney, Agent, or Firm* — Koffsky Schwalb LLC;  
Mark I. Koffsky

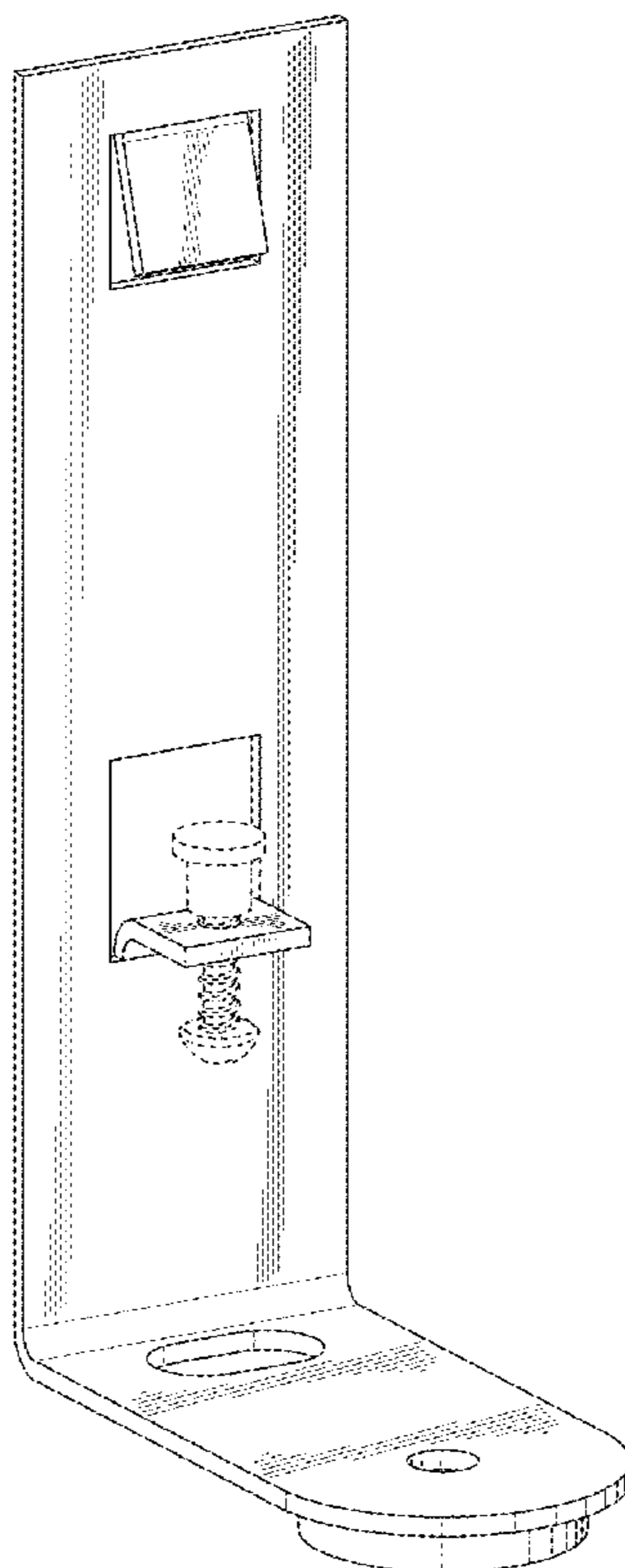
(57) **CLAIM**

I claim the ornamental design for a bracket, as shown and described.

**DESCRIPTION**

FIG. 1 is a front perspective view of a bracket in accordance with the present invention;  
FIG. 2 is a front view thereof;  
FIG. 3 is a rear view thereof;  
FIG. 4 is a left view thereof;  
FIG. 5 is a right view thereof;  
FIG. 6 is a top view thereof; and,  
FIG. 7 is a bottom view thereof.  
The broken lines show a screw assembly that forms no part of the claimed design.

**1 Claim, 7 Drawing Sheets**



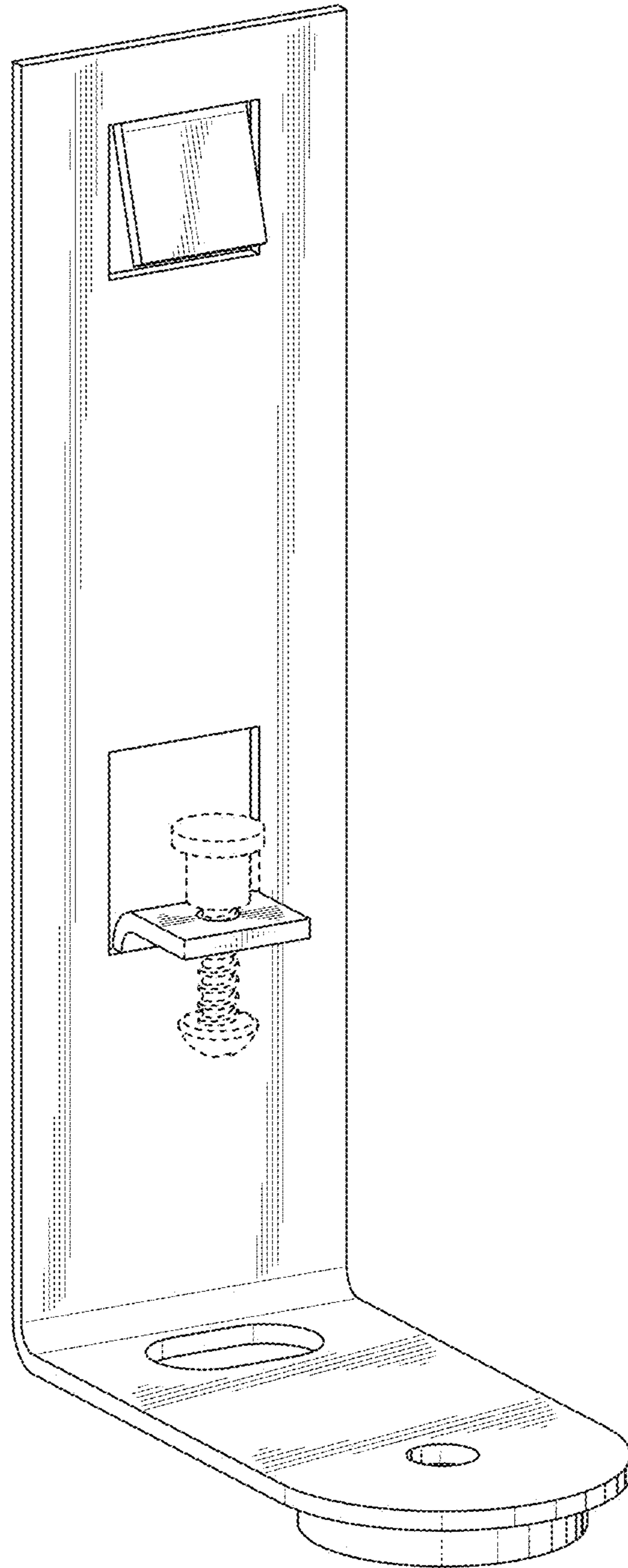
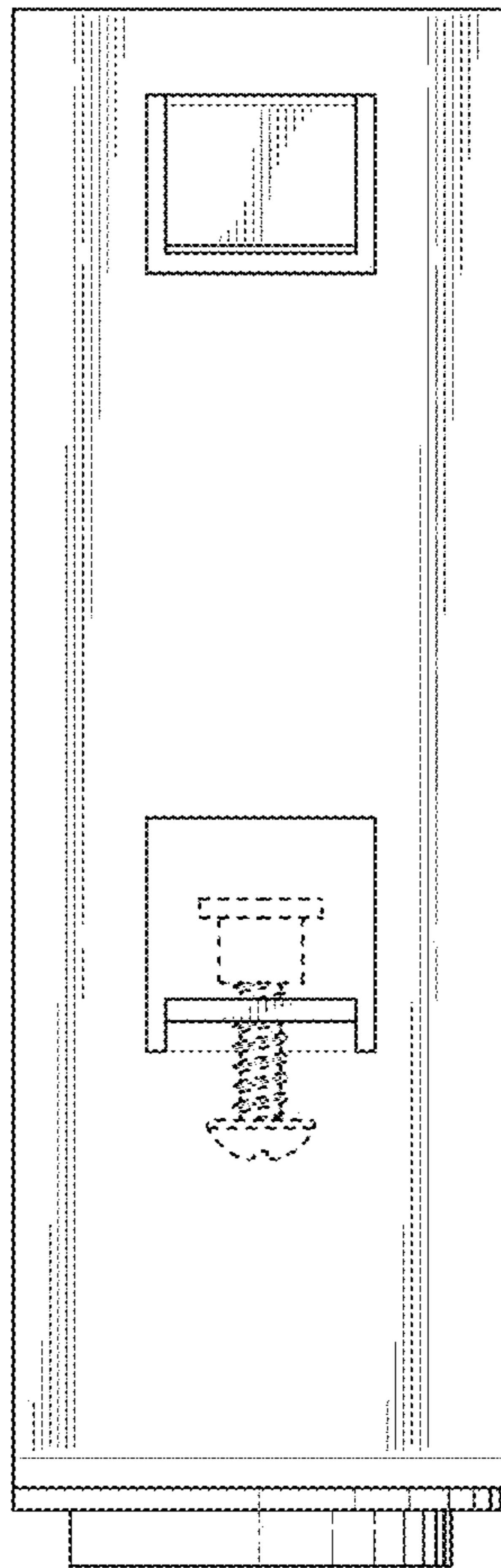
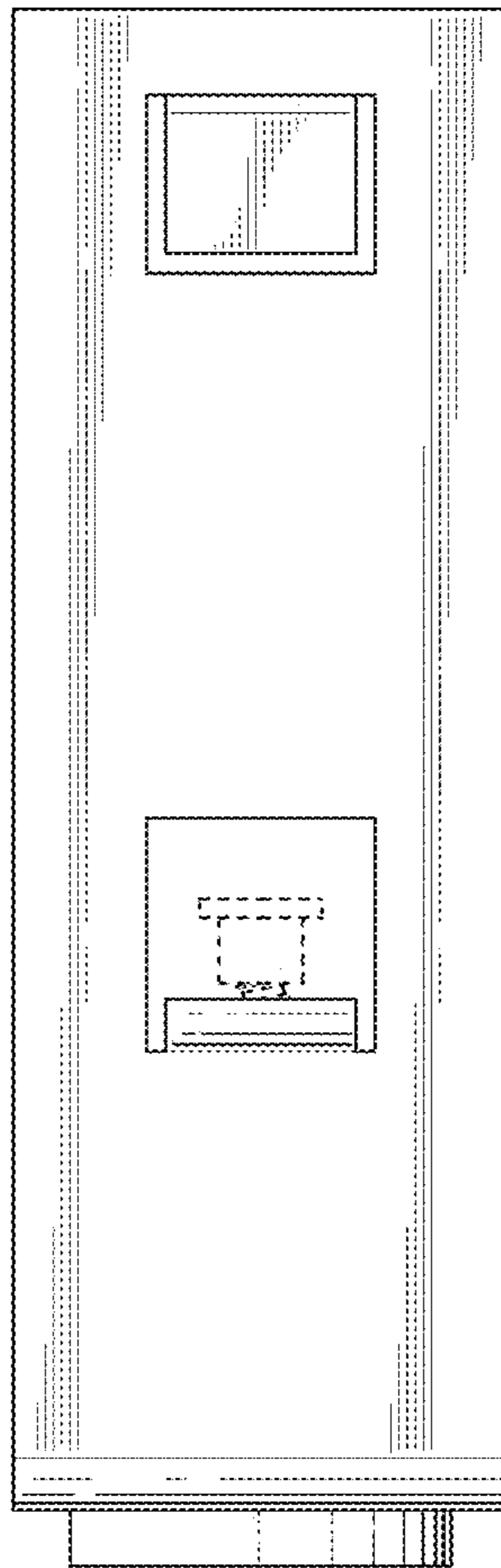


FIG. 1



*FIG. 2*



*FIG. 3*

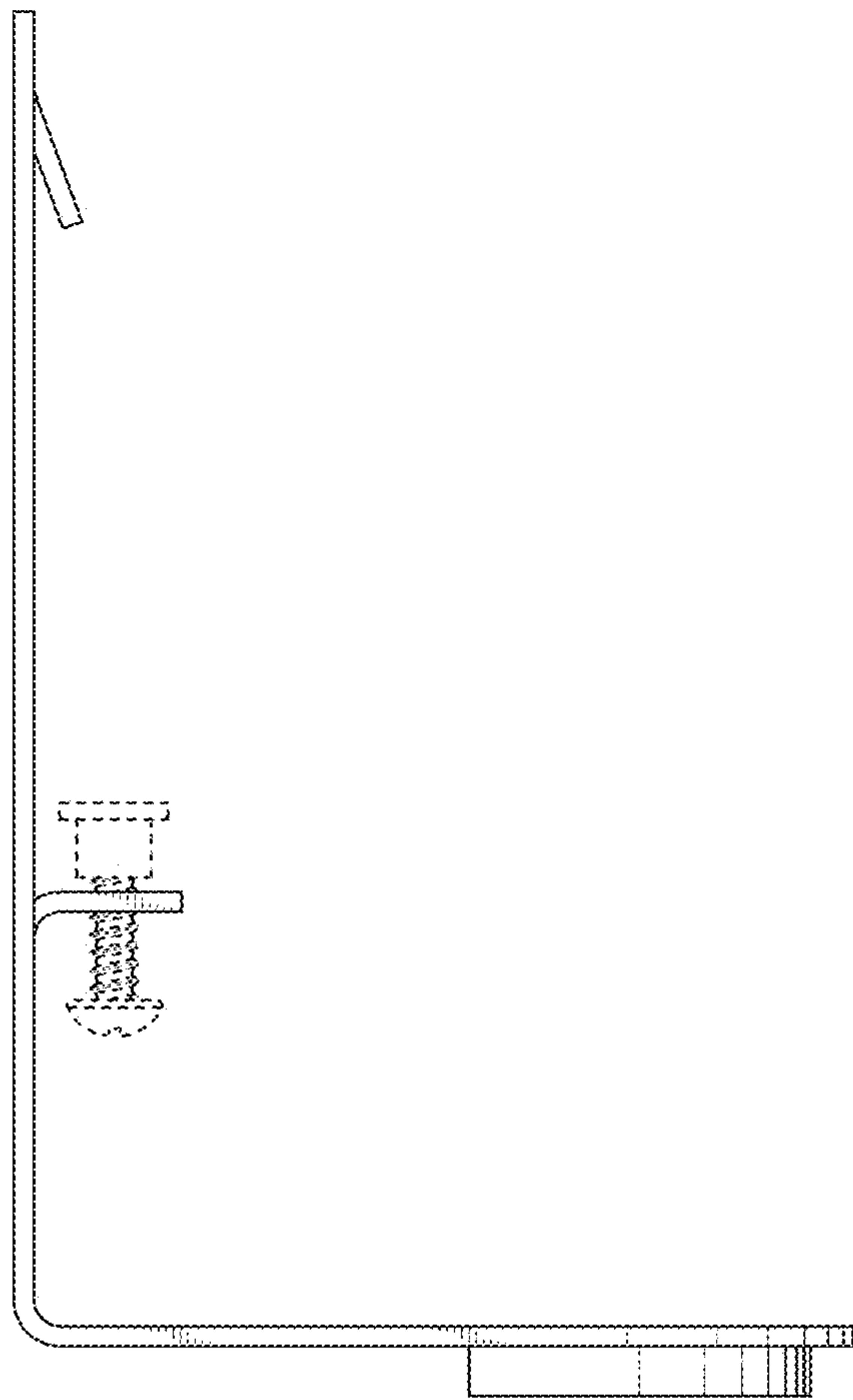


FIG. 4

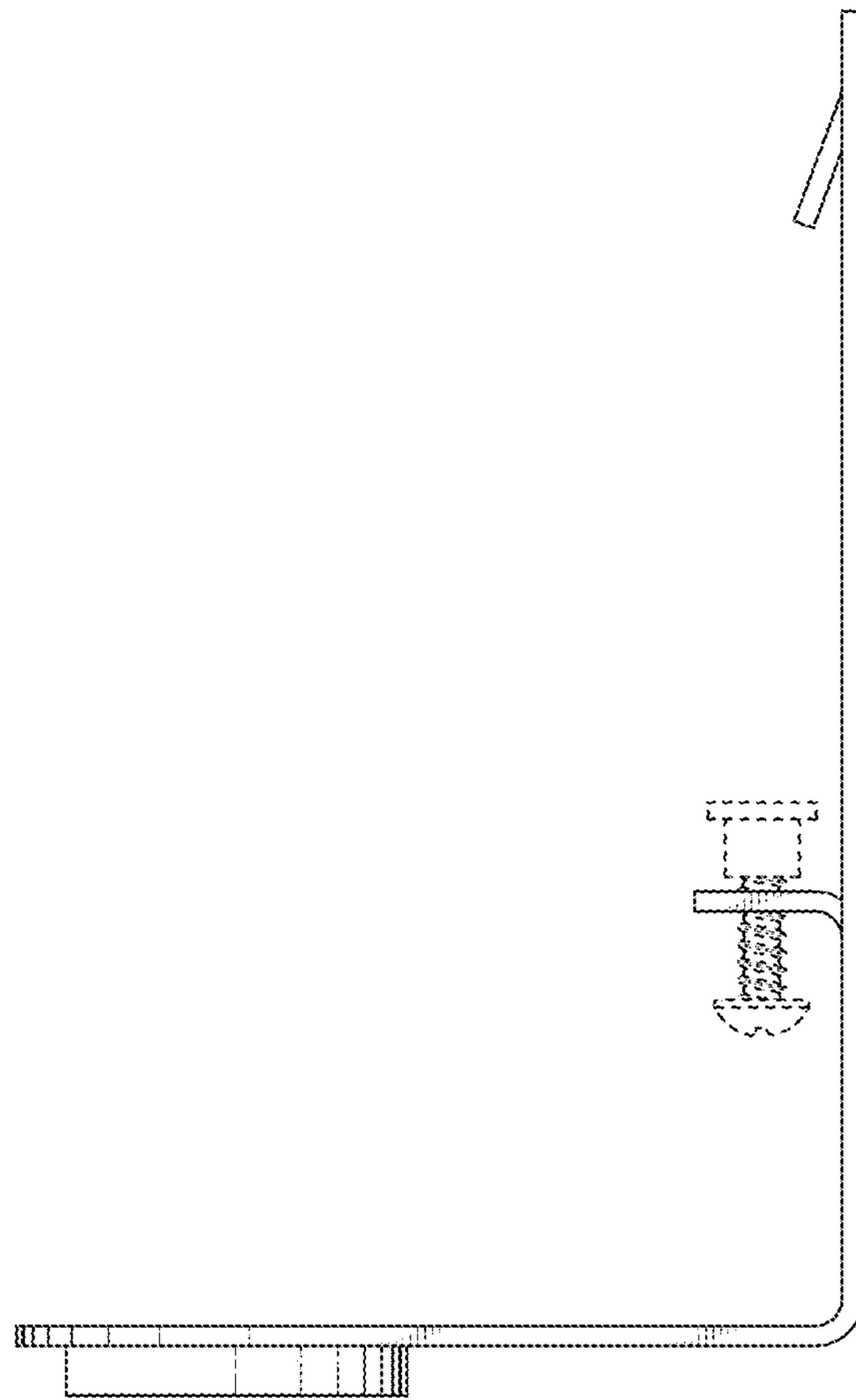
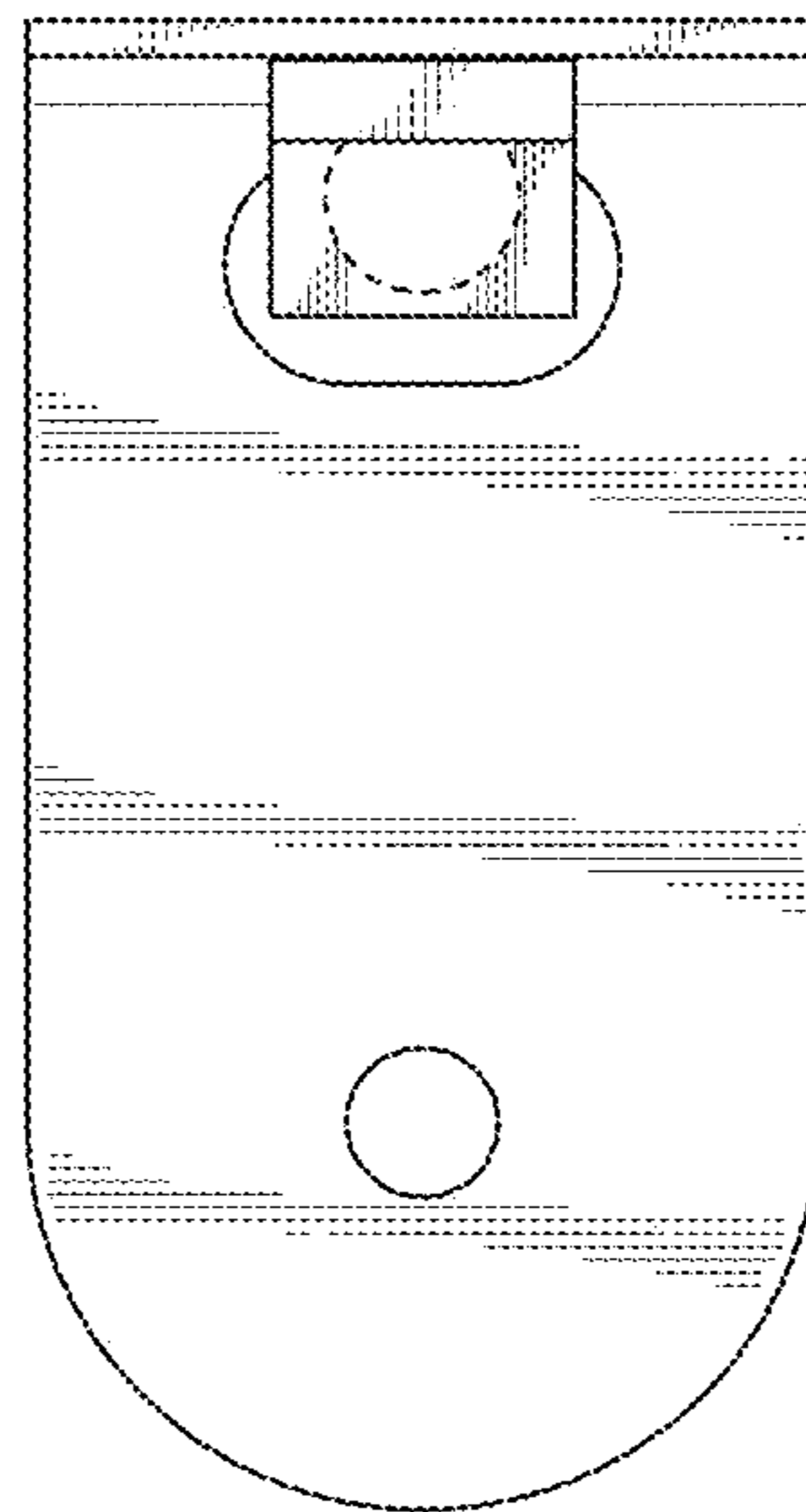
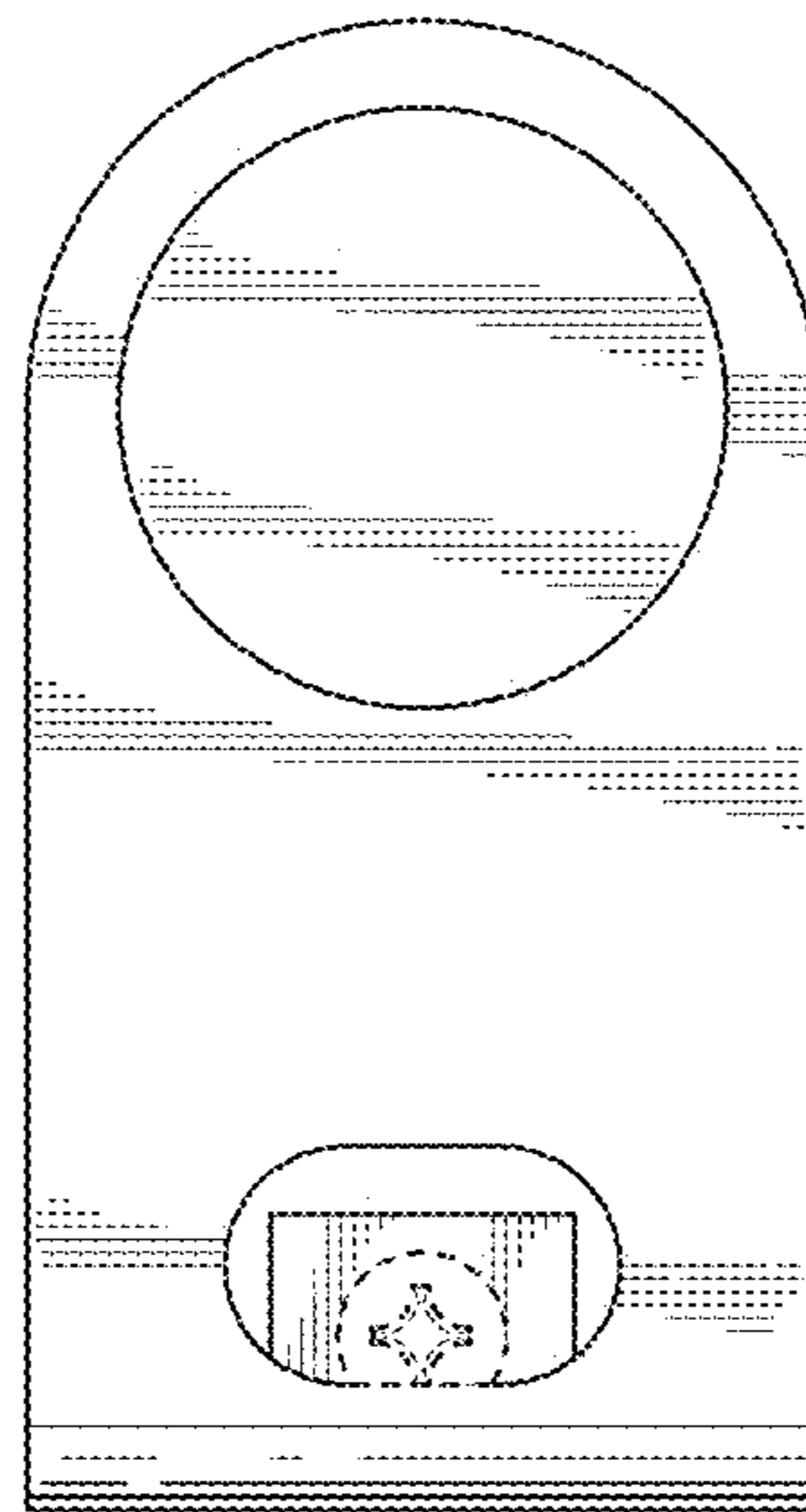


FIG. 5



*FIG. 6*



*FIG. 7*