

US00D960681S

(12) **United States Design Patent** (10) **Patent No.:** **US D960,681 S**  
**Yost** (45) **Date of Patent:** **\*\* Aug. 16, 2022**

(54) **HANDLE FOR AN UPWARD ACTING DOOR**

(71) Applicant: **Overhead Door Corporation,**  
Lewisville, TX (US)

(72) Inventor: **Matthew R. Yost,** Marion, OH (US)

(73) Assignee: **OVERHEAD DOOR CORPORATION,** Lewisville, TX (US)

(\*\*) Term: **15 Years**

(21) Appl. No.: **29/755,789**

(22) Filed: **Oct. 22, 2020**

(51) **LOC (13) Cl.** ..... **08-06**

(52) **U.S. Cl.**  
USPC ..... **D8/308**

(58) **Field of Classification Search**  
USPC ..... D8/1, 3, 10, 107, 300, 303, 307, 311,  
D8/312, 315; D7/395; D12/400;  
D32/34  
CPC ..... Y10T 16/469; Y10T 16/476; Y10T  
74/20828; Y10T 74/20822; Y10T 16/466;  
Y10T 16/4713; Y10T 16/4707; Y10T  
16/44; Y10T 74/2078; Y10T 74/20732;  
Y10T 74/20864; Y10T 16/4559; Y10T  
74/2028; Y10T 292/57; Y10T 16/4576;  
Y10T 408/96; Y10T 74/20612; Y10T  
407/1825; Y10T 74/20642; Y10T 408/65;  
Y10T 70/5872; Y10T 74/2042; Y10T  
74/20396; Y10T 29/53943; Y10T  
403/1649; B60N 3/02; B60N 3/023  
See application file for complete search history.

(56) **References Cited**

**U.S. PATENT DOCUMENTS**

1,777,176 A 9/1930 McOdy  
1,858,804 A 5/1932 Carlson  
1,909,697 A 5/1933 Earl

2,048,377 A 7/1936 Robinson  
2,427,909 A 9/1947 Howell  
2,580,584 A 1/1952 Nowak  
2,628,117 A 2/1953 Robinson  
2,772,440 A \* 12/1956 Applegate ..... H01F 27/02  
16/422  
3,292,399 A 12/1966 Charles  
3,683,652 A 8/1972 Halopoff  
3,953,061 A 4/1976 Hansen  
4,641,865 A 2/1987 Pastva  
4,966,018 A 10/1990 Hauber  
5,526,660 A 6/1996 Bennett  
5,586,458 A 12/1996 Weierman  
5,595,076 A 1/1997 Weierman  
6,108,867 A \* 8/2000 Nagashima ..... F02D 11/02  
16/110.1  
D456,237 S \* 4/2002 Sokurenko ..... D8/306  
6,899,362 B1 5/2005 Weierman  
7,152,889 B2 12/2006 Jeffries  
D548,412 S \* 8/2007 Bobrosky ..... D32/34  
7,343,762 B1 3/2008 East

(Continued)

*Primary Examiner* — Lauren R Calve  
(74) *Attorney, Agent, or Firm* — Haynes and Boone, LLP

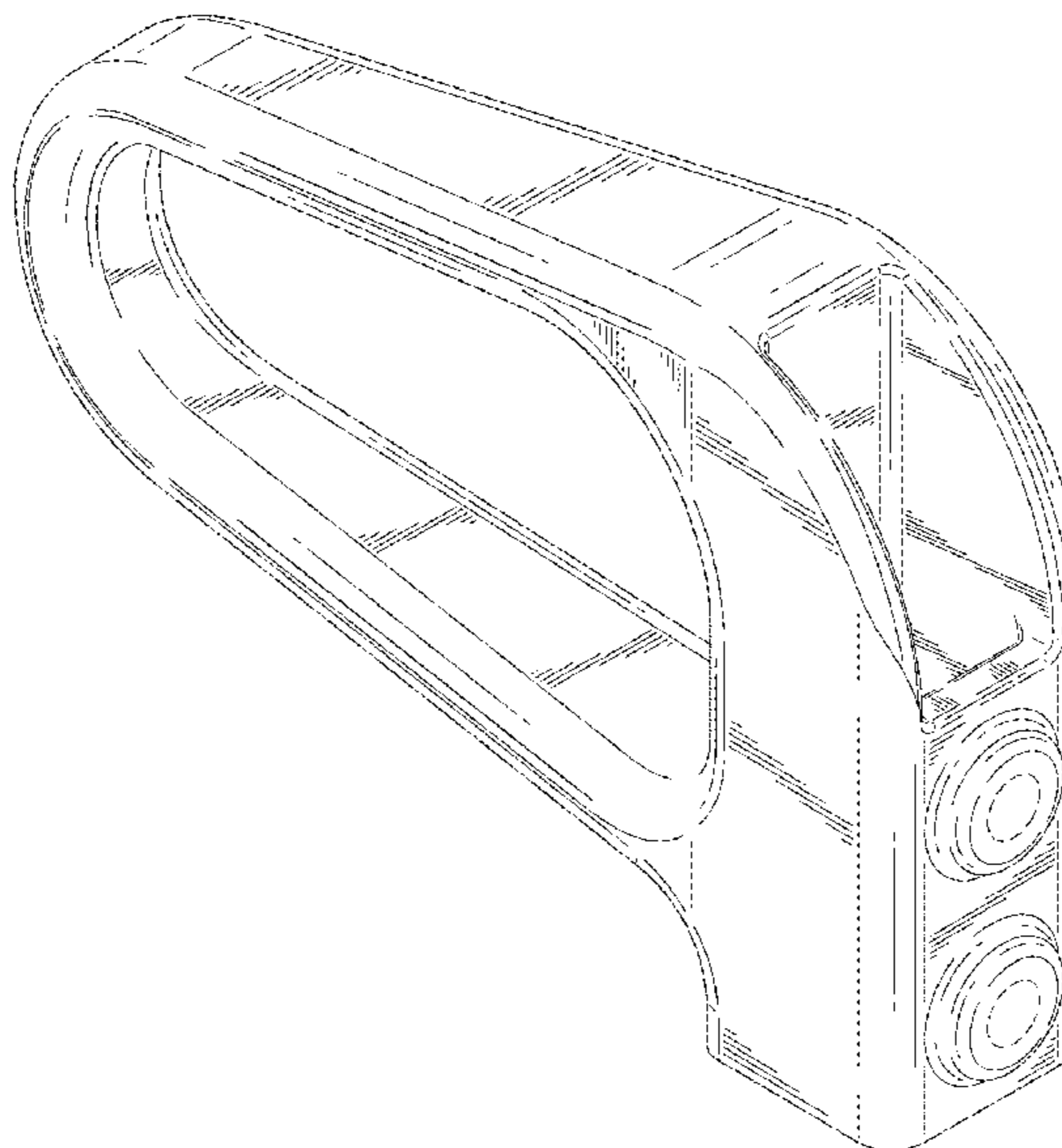
(57) **CLAIM**

The ornamental design for a handle for an upward acting door, as shown and described.

**DESCRIPTION**

FIG. 1 is a perspective view of a handle for an upward acting door showing my new design;  
FIG. 2 is a front view thereof;  
FIG. 3 is a rear view thereof;  
FIG. 4 is a left side view thereof;  
FIG. 5 is a right side view thereof;  
FIG. 6 is a top view thereof; and,  
FIG. 7 is a bottom view thereof.  
The broken lines defining the holes as shown in FIGS. 1, 5, 6 and 7 depict portions of the handle for an upward acting door that form no part of the claimed design.

**1 Claim, 7 Drawing Sheets**



(56)

**References Cited**

U.S. PATENT DOCUMENTS

D621,121 S *	8/2010	Maatz .....	D34/27
D688,020 S *	8/2013	Workman .....	D34/27
8,998,275 B2	4/2015	Donaldson	
D848,816 S *	5/2019	Staton .....	D8/307
10,526,820 B2	1/2020	Schroeder et al.	
2008/0277558 A1 *	11/2008	Litwin .....	A47J 37/1295 248/637

\* cited by examiner

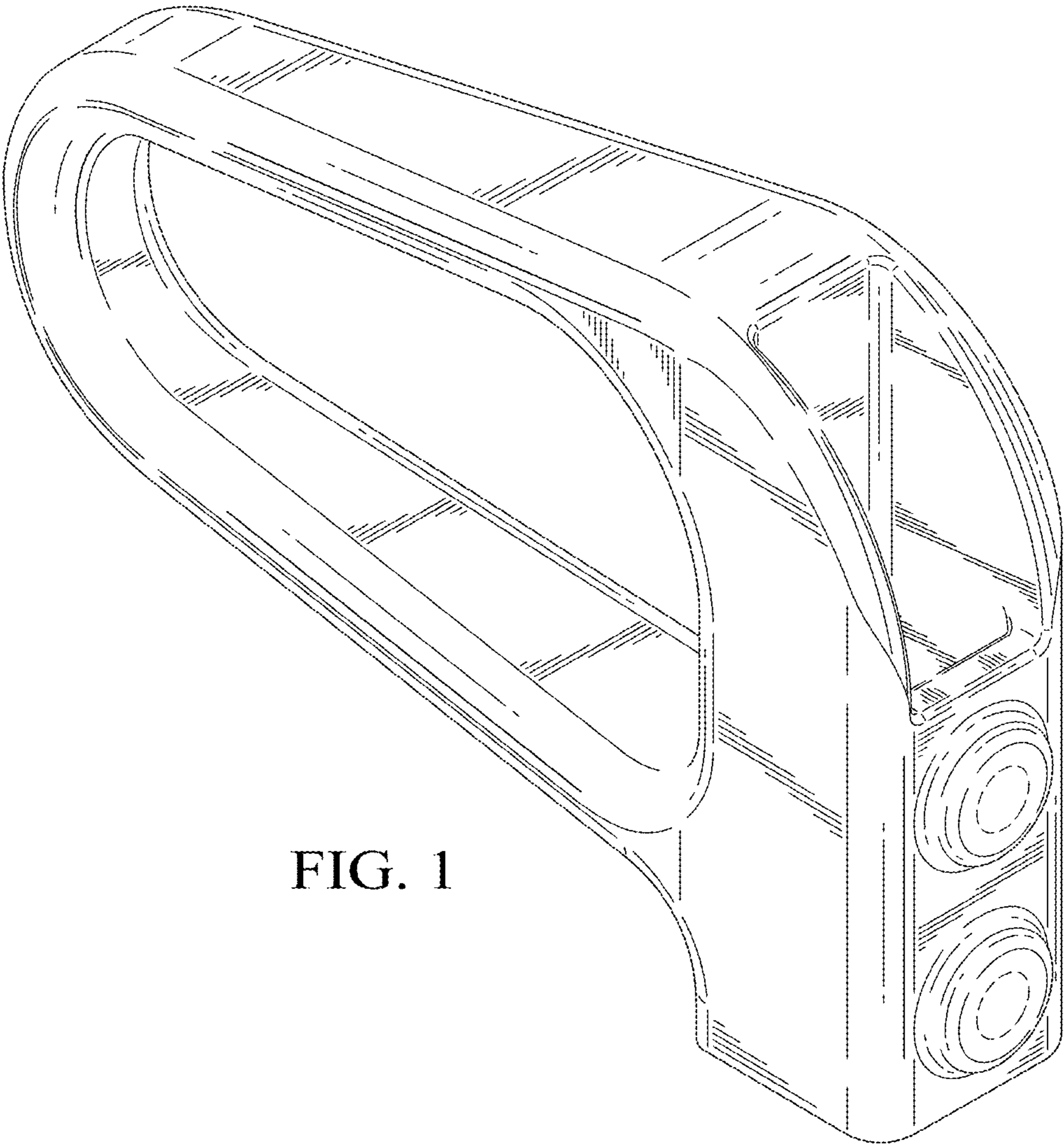


FIG. 1

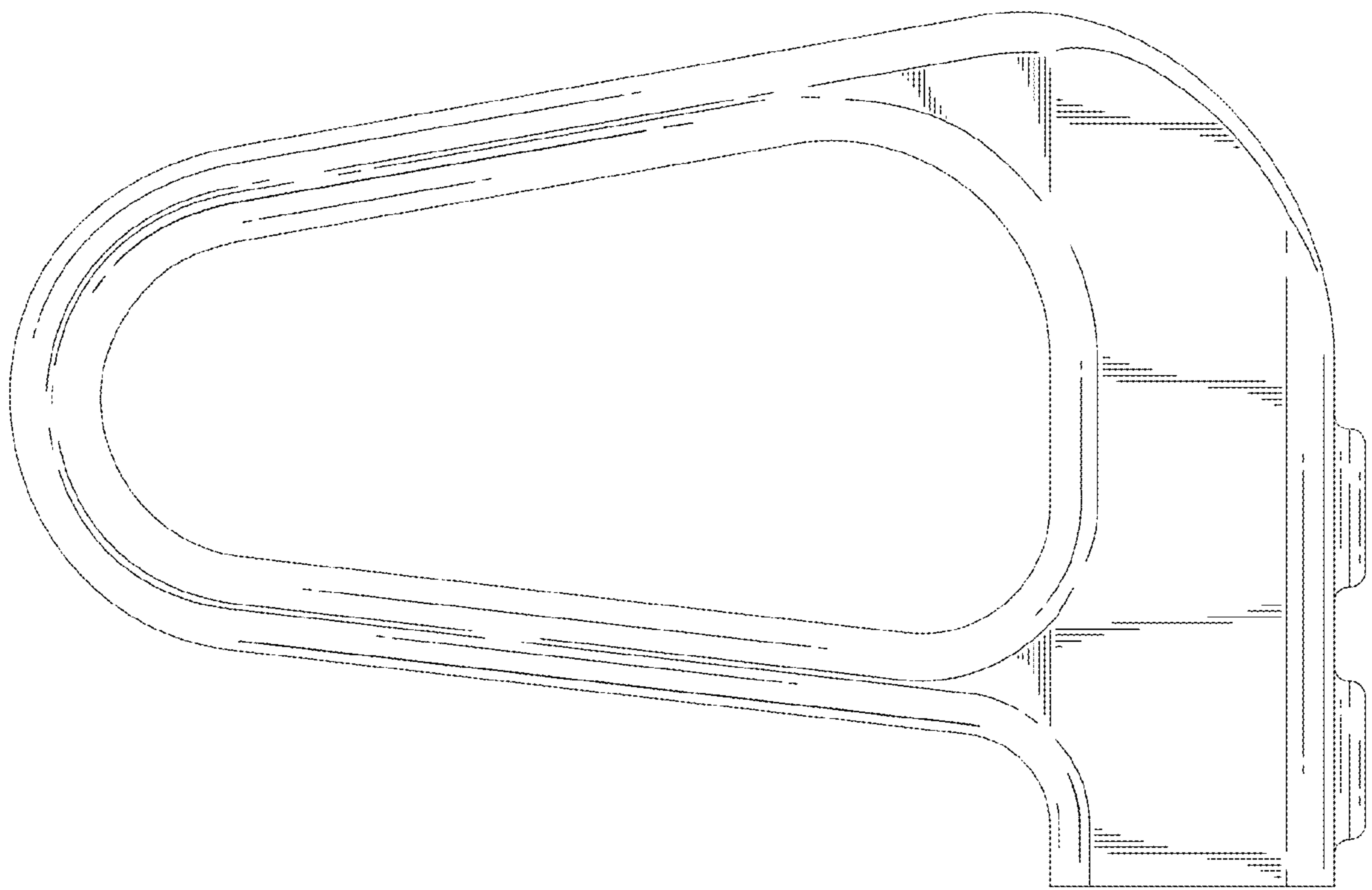


FIG. 2

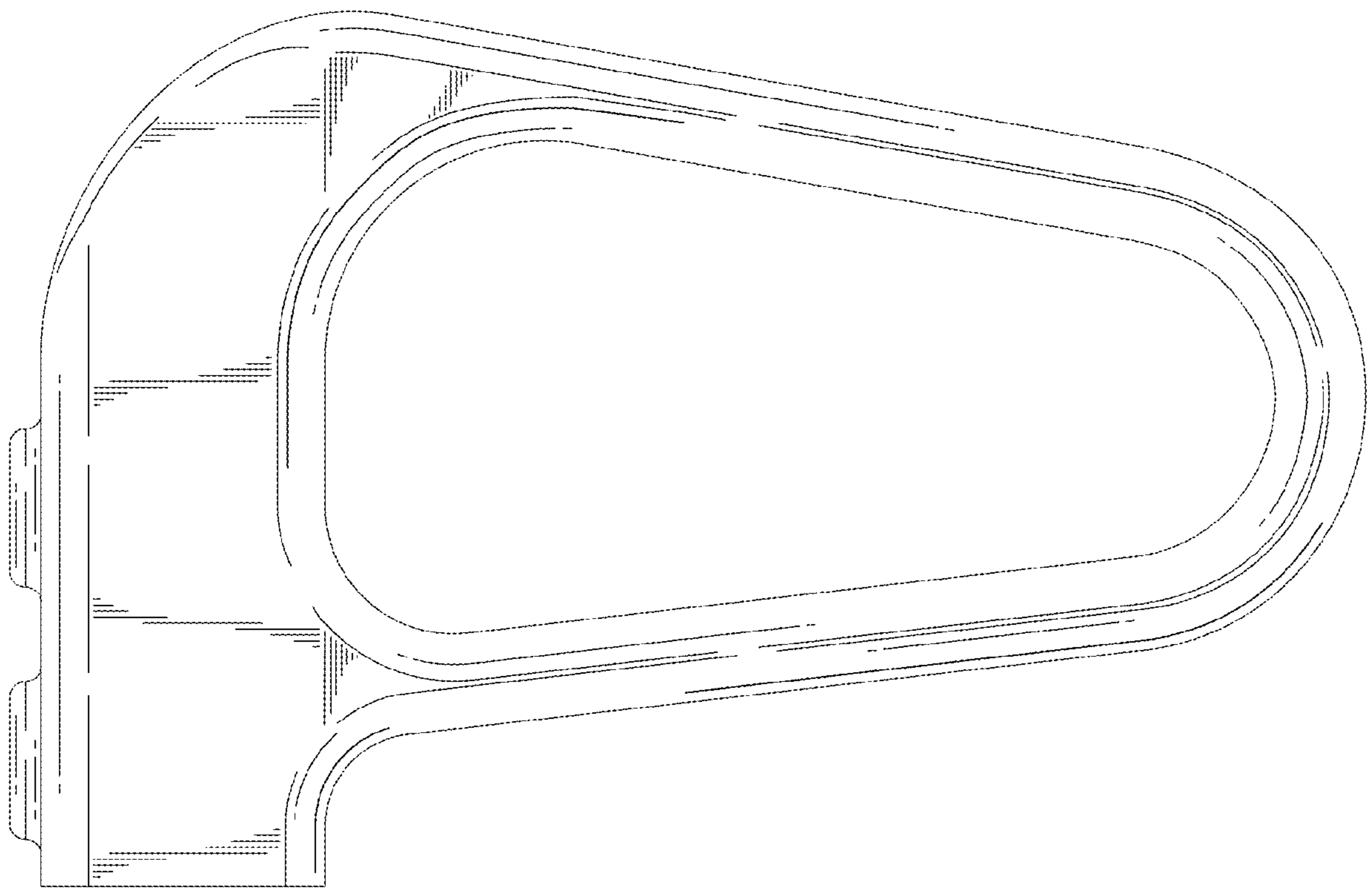


FIG. 3



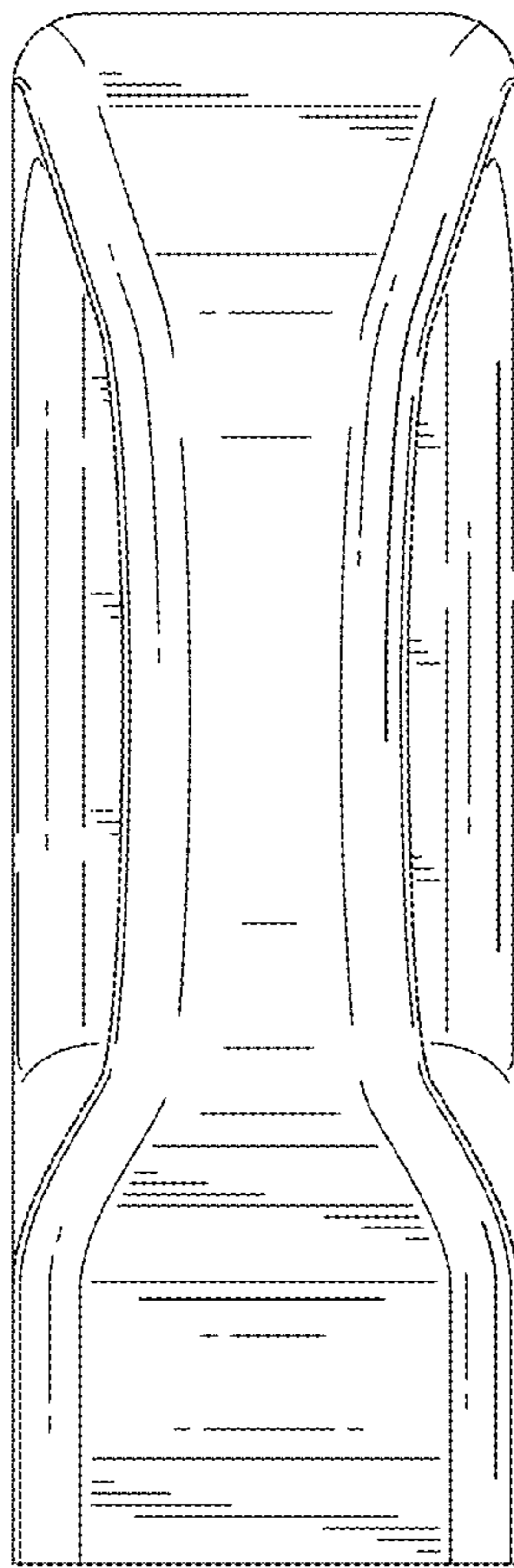


FIG. 4

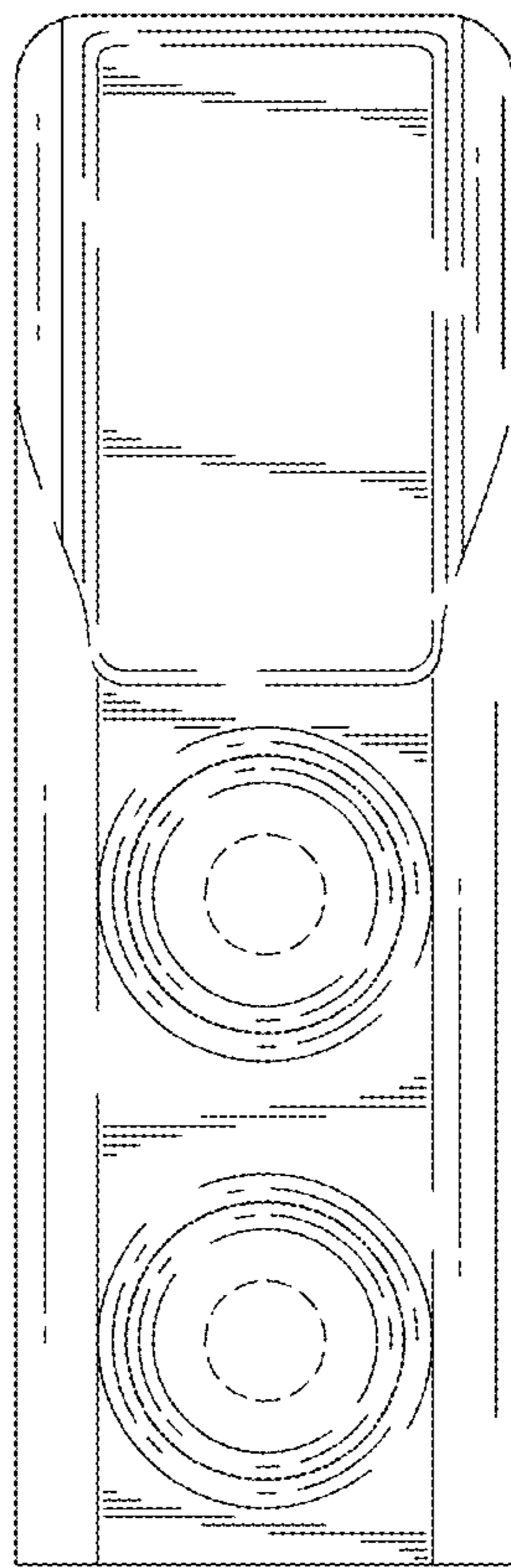


FIG. 5

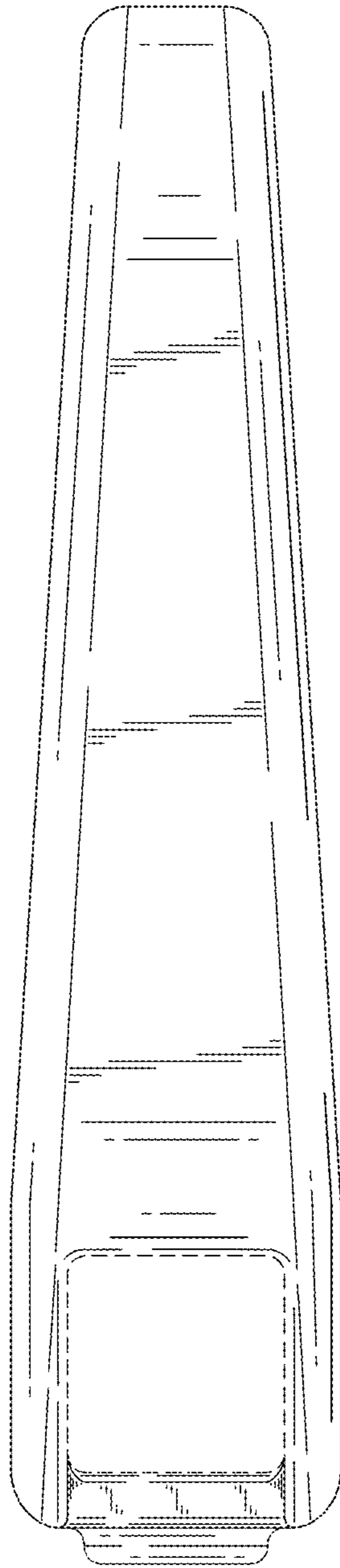


FIG. 6



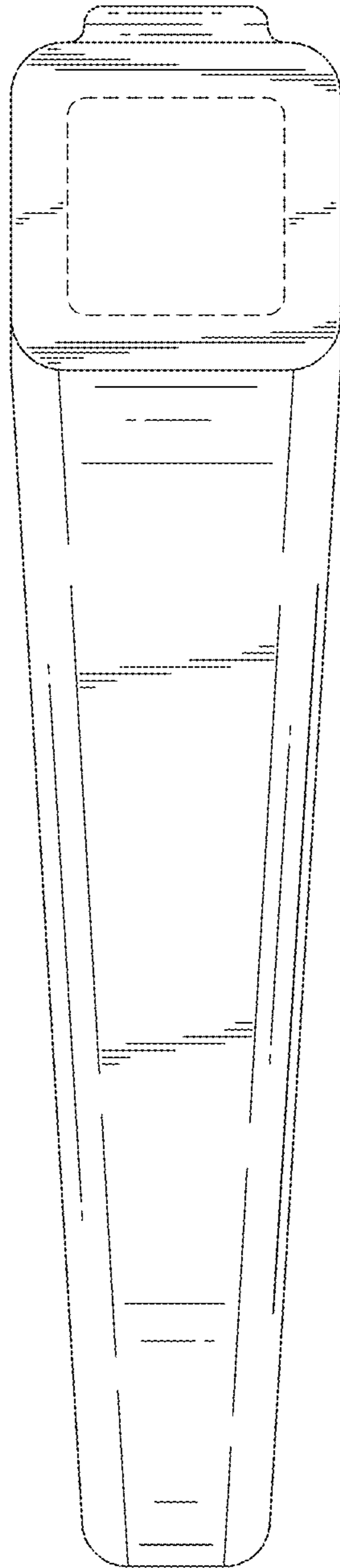


FIG. 7