

US00D960679S

(12) **United States Design Patent** (10) **Patent No.:** **US D960,679 S**
Zhou (45) **Date of Patent:** **** Aug. 16, 2022**

(54) **SIGHT ADJUSTMENT TOOL**
 (71) Applicant: **Junhe Zhou**, Fuyang (CN)
 (72) Inventor: **Junhe Zhou**, Fuyang (CN)
 (**) Term: **15 Years**
 (21) Appl. No.: **29/790,367**
 (22) Filed: **Nov. 23, 2021**
 (51) **LOC (13) Cl.** **08-05**
 (52) **U.S. Cl.**
 USPC **D8/72; D22/108**
 (58) **Field of Classification Search**
 USPC D8/71-74, 394-399, 59; D22/108
 CPC ... F41G 1/545; F41G 1/16; F41C 3/00; B25B
 1/00; B25B 5/00
 See application file for complete search history.

D829,294 S * 9/2018 Cheng D22/108
 D880,268 S * 4/2020 Cheng D8/72
 D901,284 S * 11/2020 Chorley D8/394
 D904,548 S * 12/2020 Chen D22/108
 D907,156 S * 1/2021 Purnomohadi D22/108
 D913,347 S * 3/2021 Hall D15/138
 D921,467 S * 6/2021 Fiegenger D8/74
 D948,303 S * 4/2022 Juraga D8/72
 2019/0145736 A1 * 5/2019 Williams F41G 1/545
 42/108

* cited by examiner

Primary Examiner — David G Muller

(56) **References Cited**
 U.S. PATENT DOCUMENTS
 D383,380 S * 9/1997 Kempf D8/395
 D615,840 S * 5/2010 Copper D8/72
 D621,209 S * 8/2010 Takagi D7/397
 7,980,017 B2 * 7/2011 Harman, III F41C 27/00
 D8/74
 D646,543 S * 10/2011 Galle D8/74
 D675,698 S * 2/2013 Bietsch D22/199
 D782,294 S * 3/2017 Dordick D8/396
 9,784,535 B1 * 10/2017 Cheng F41G 1/545

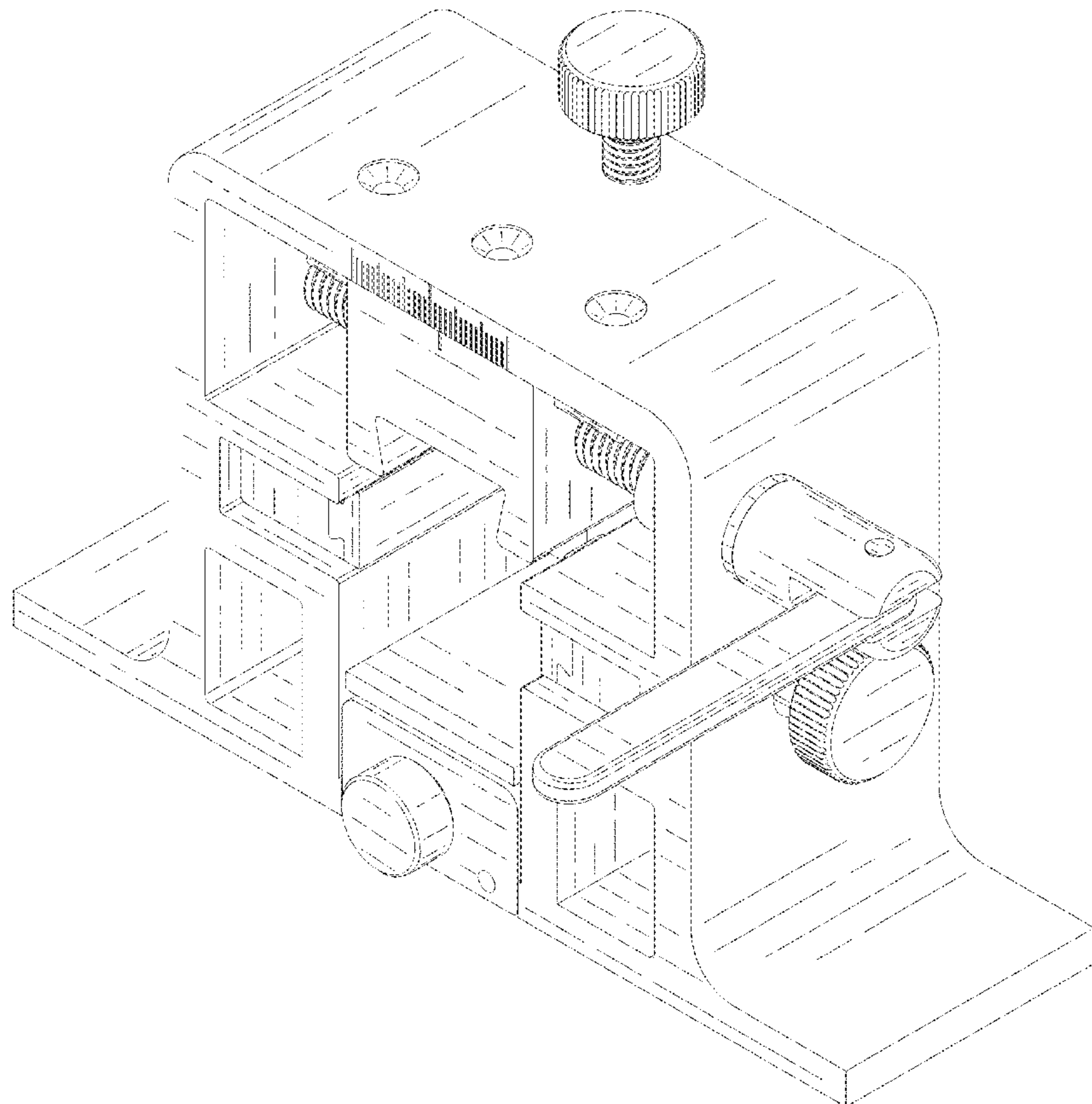
(57) **CLAIM**

The ornamental design for a sight adjustment tool, as shown and described.

DESCRIPTION

FIG. 1 is a front perspective view of a sight adjustment tool, showing my new design;
 FIG. 2 is a rear perspective view thereof;
 FIG. 3 is a front view thereof;
 FIG. 4 is a rear view thereof;
 FIG. 5 is a left side view thereof;
 FIG. 6 is a right side view thereof;
 FIG. 7 is a top plan view thereof; and,
 FIG. 8 is a bottom plan view thereof.

1 Claim, 8 Drawing Sheets



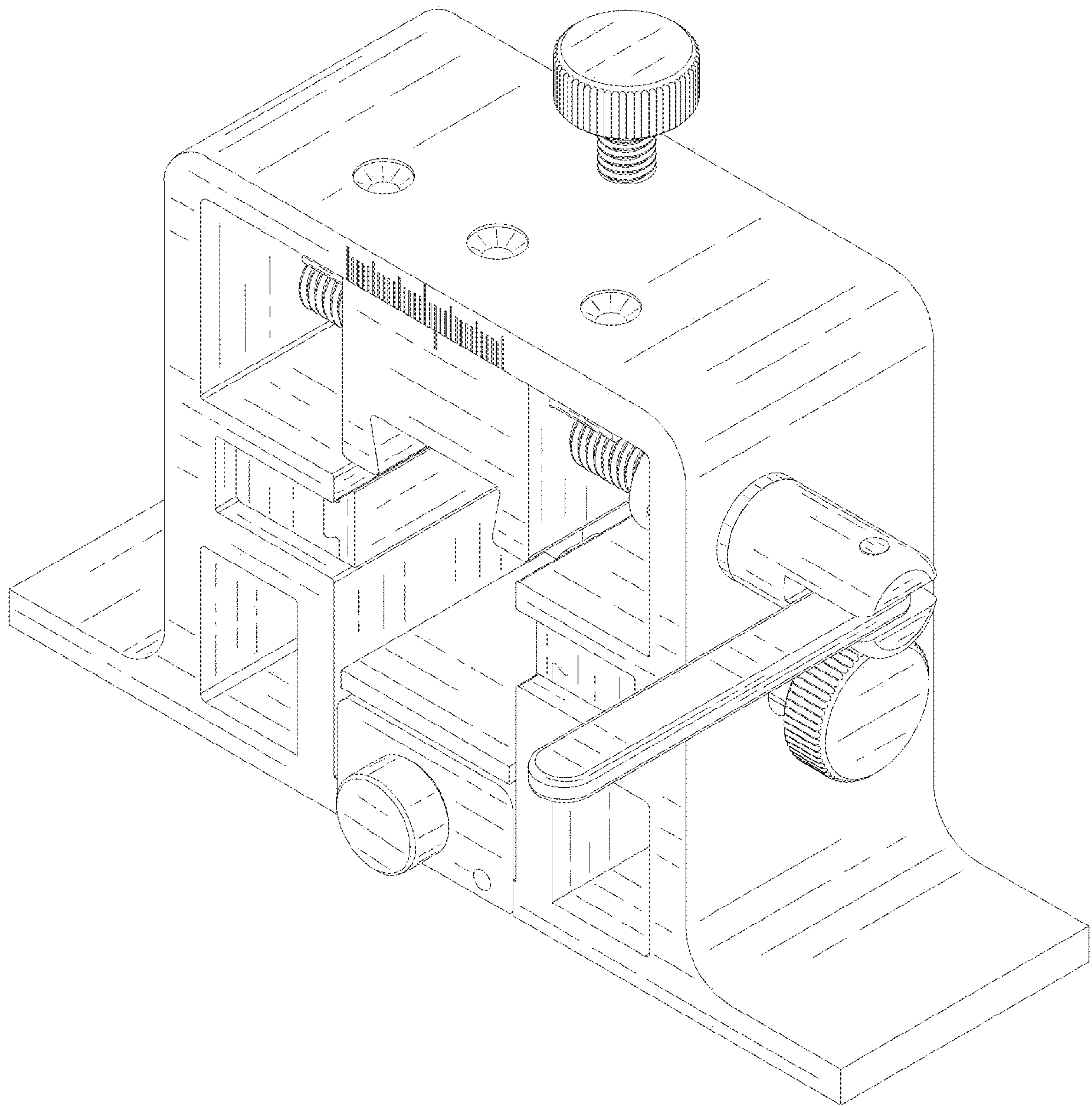


FIG. 1

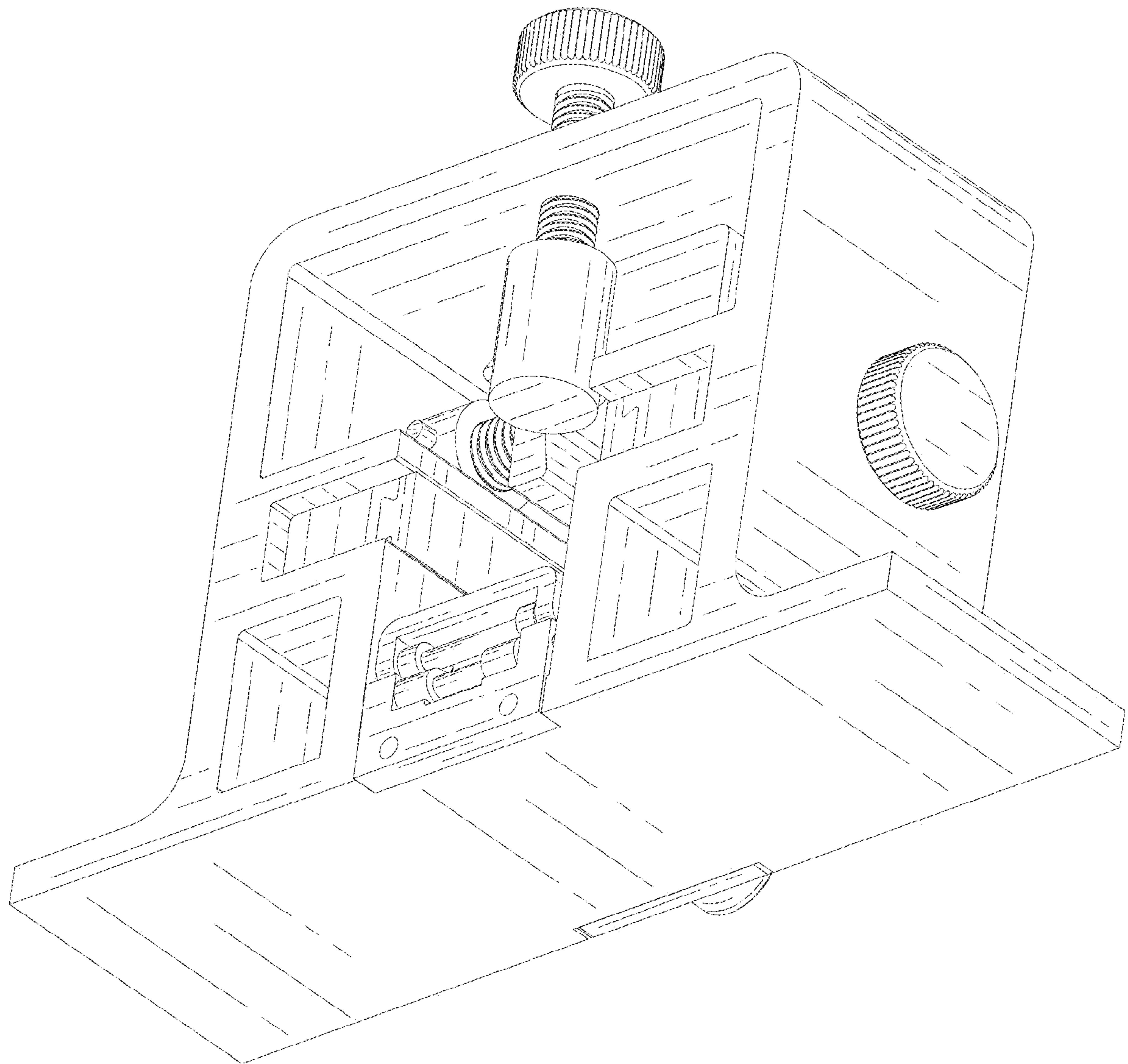


FIG. 2

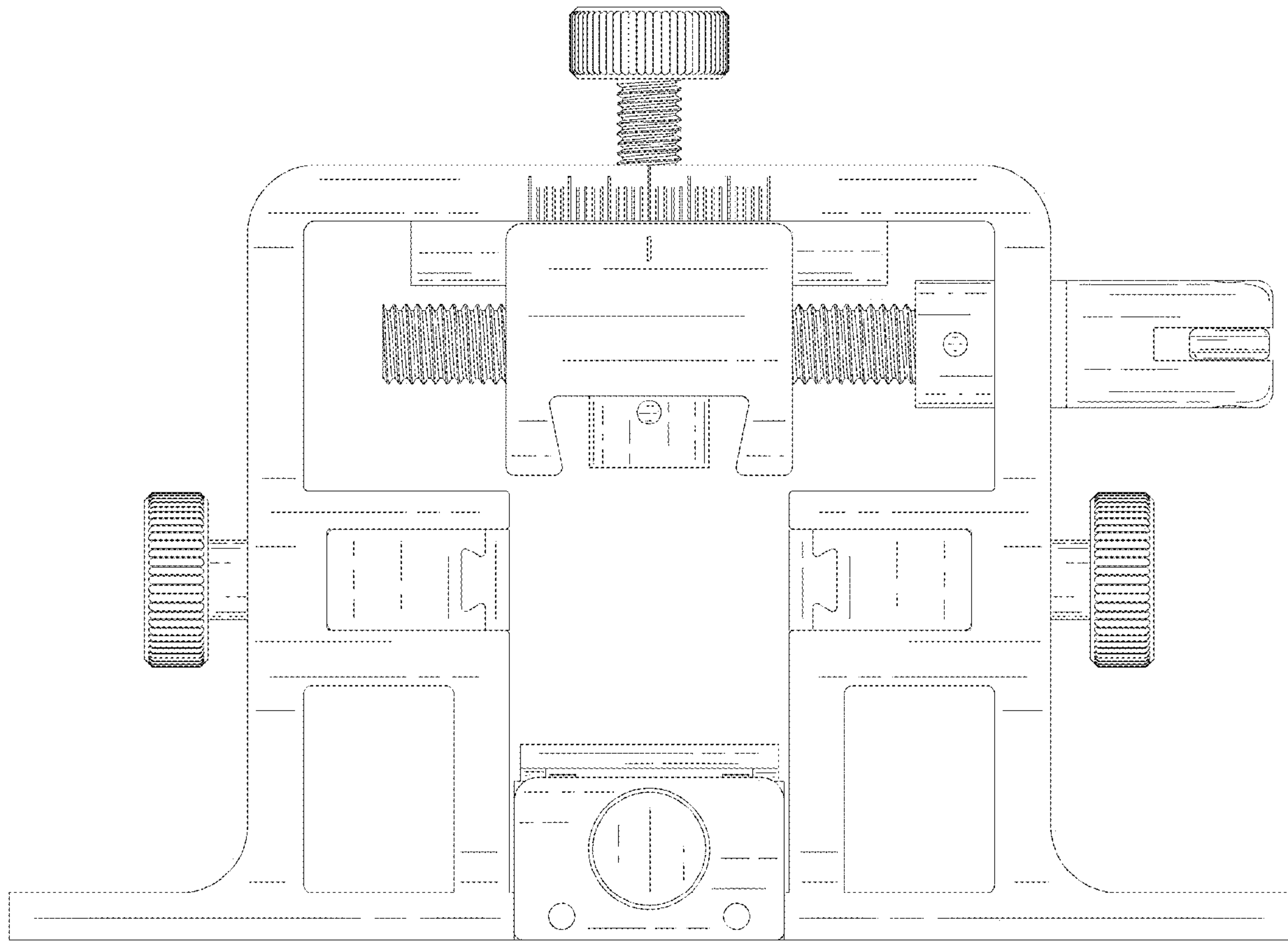


FIG. 3

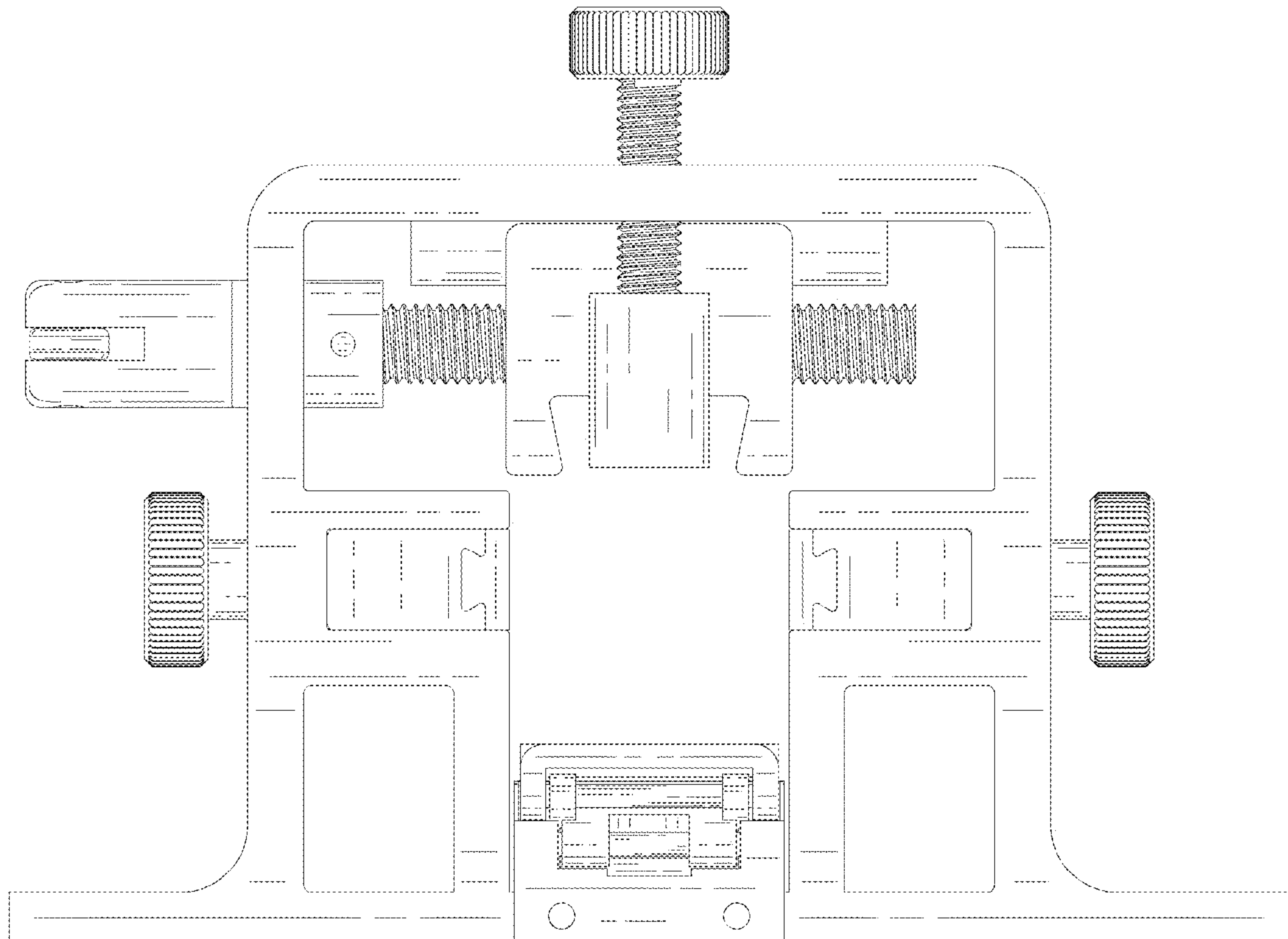


FIG. 4

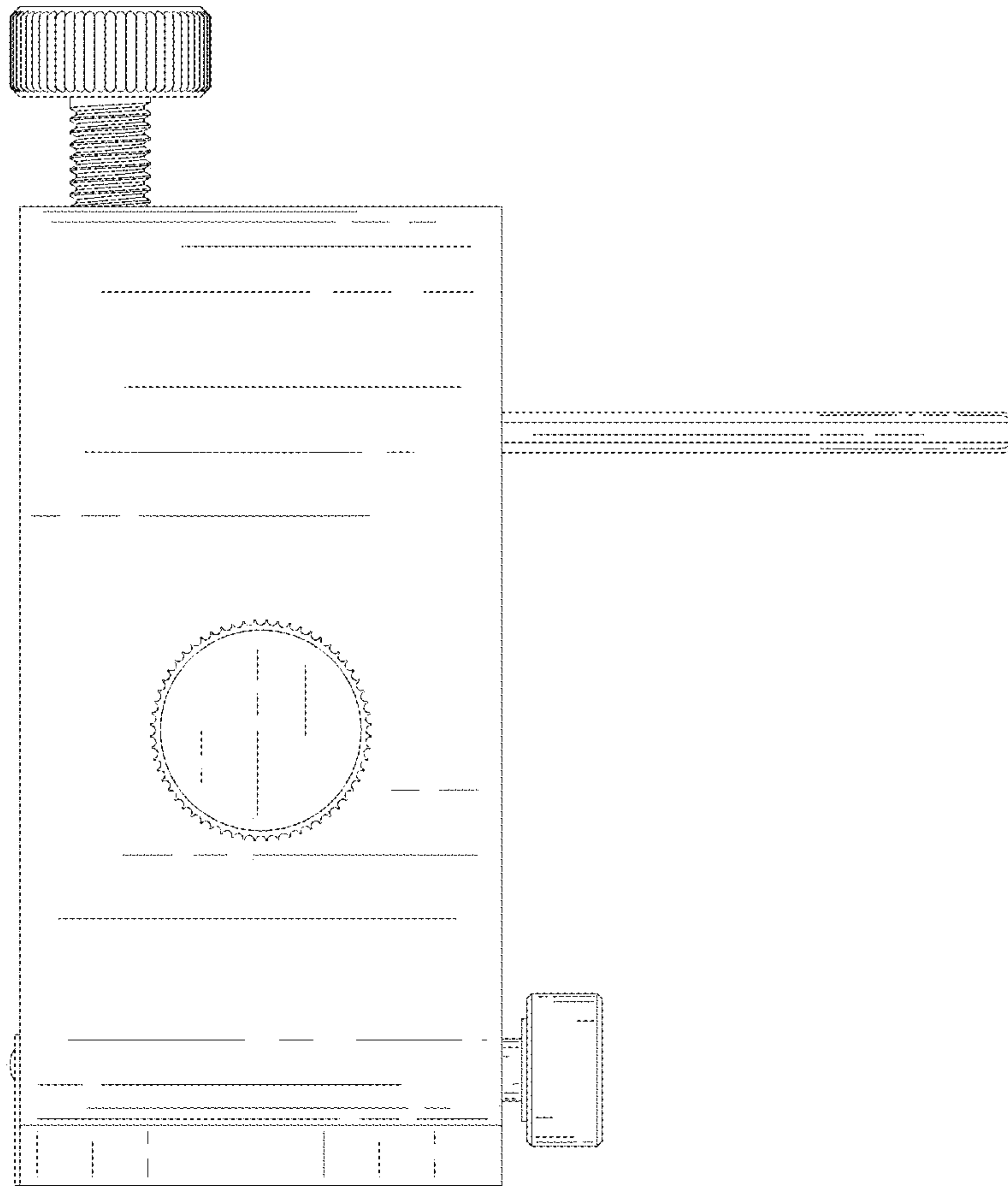


FIG. 5

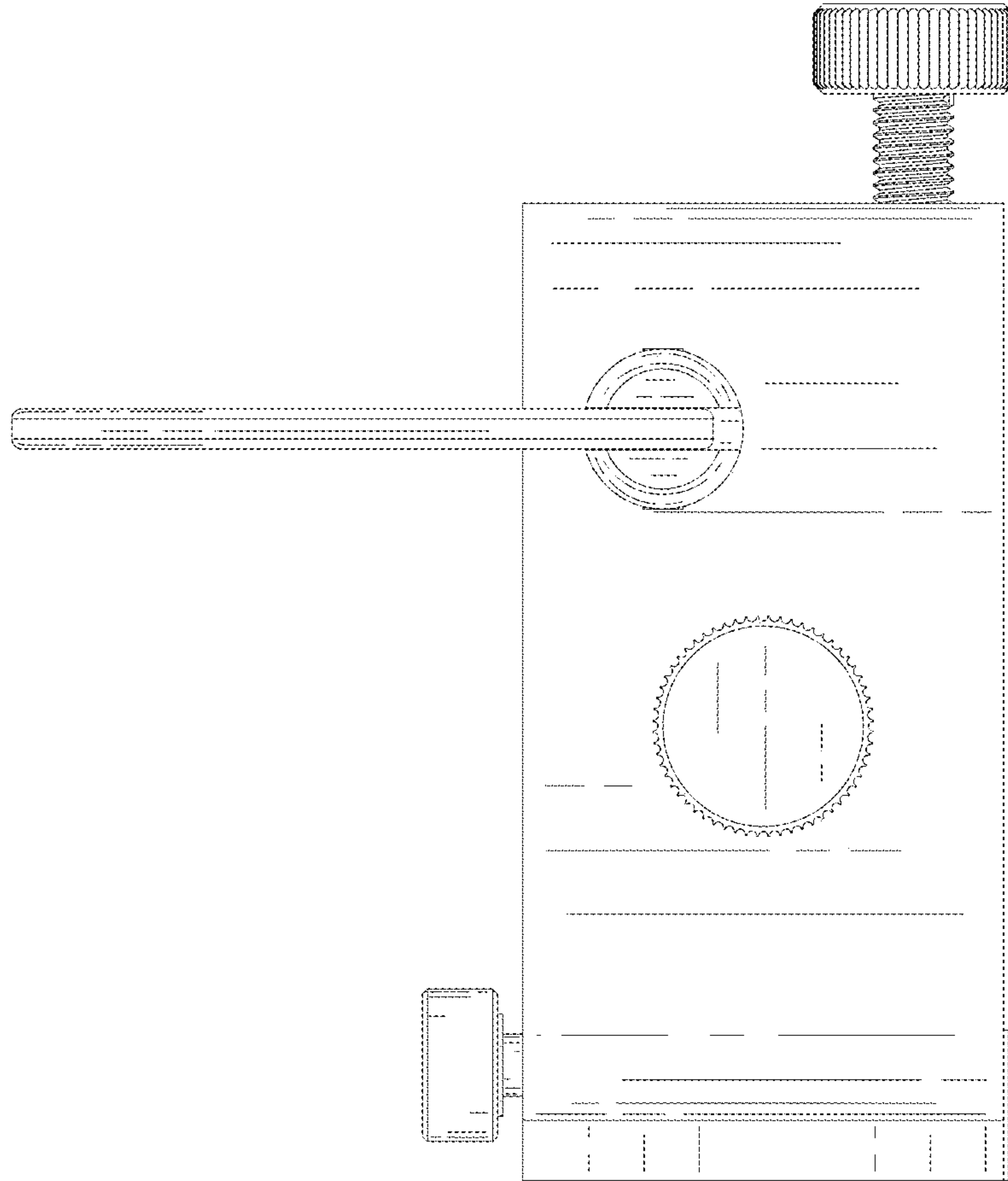


FIG. 6

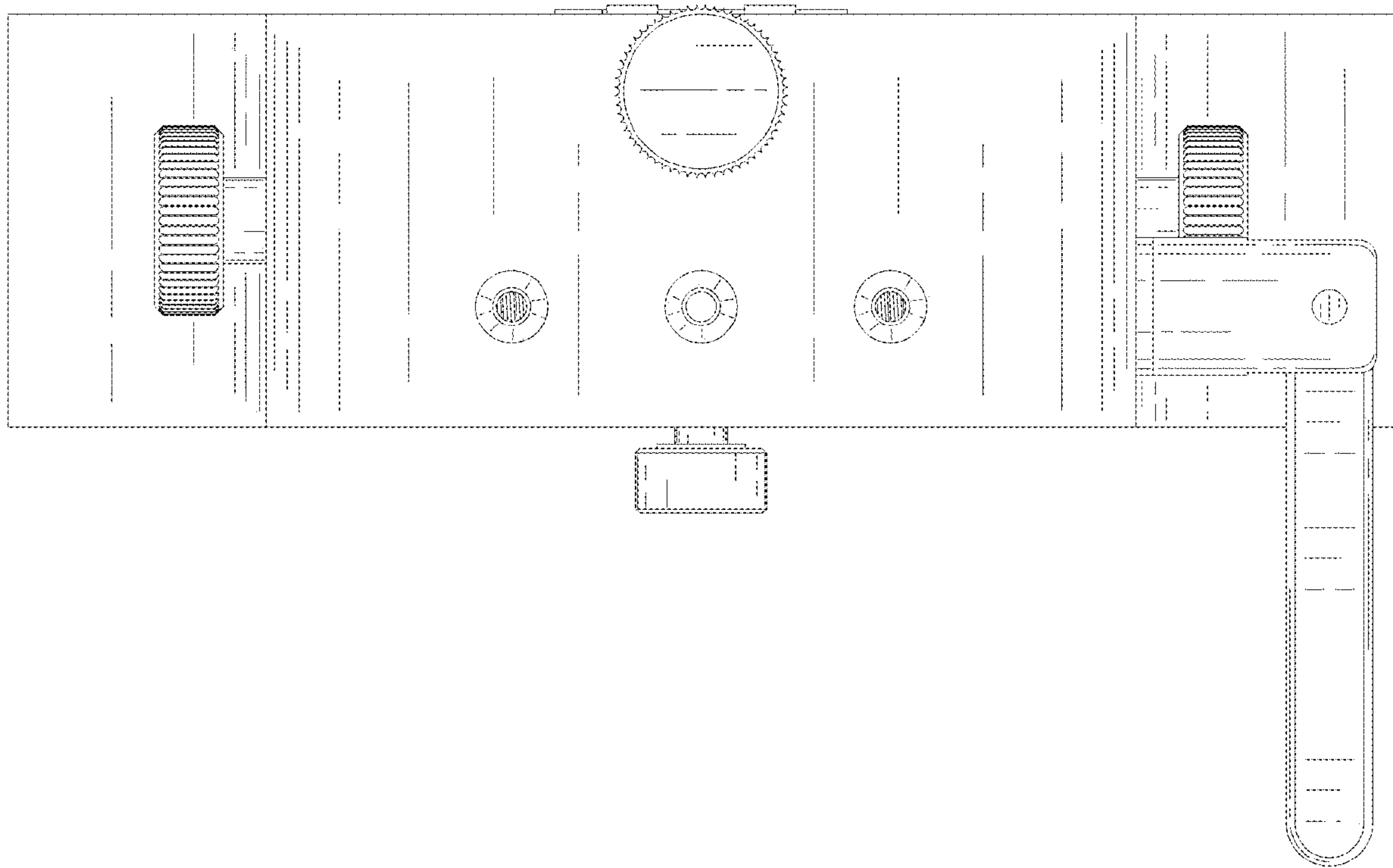


FIG. 7

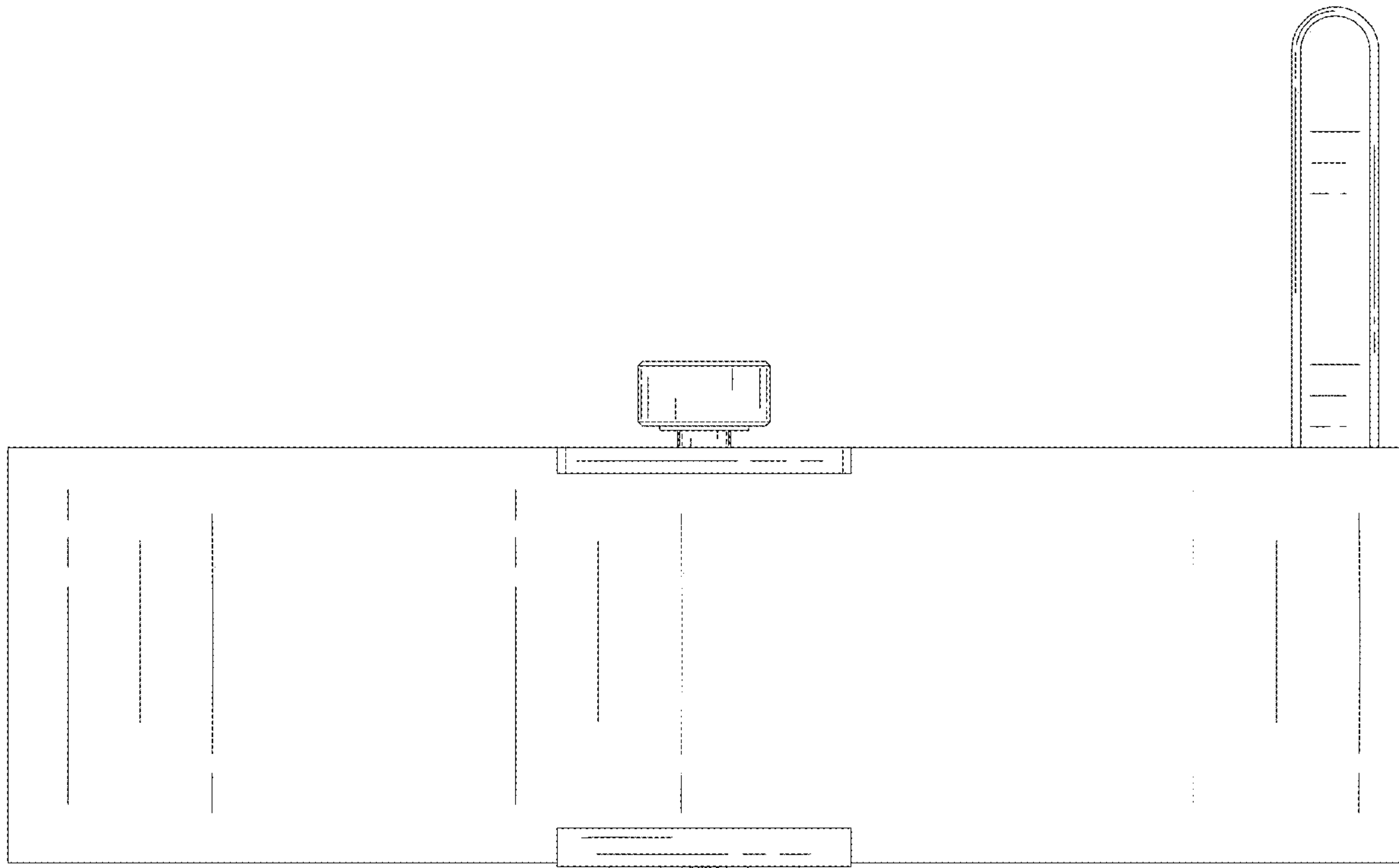


FIG. 8