



US00D960676S

(12) **United States Design Patent**
Simonin

(10) **Patent No.:** **US D960,676 S**

(45) **Date of Patent:** **** Aug. 16, 2022**

(54) **NAIL GUN**

(71) Applicant: **ILLINOIS TOOL WORKS INC.,**
Glenview, IL (US)

(72) Inventor: **Jean-Luc Simonin, Barcelonne (FR)**

(73) Assignee: **ILLINOIS TOOL WORKS INC.,**
Glenview, IL (US)

D677,544 S *	3/2013	Jerabek	D8/68
D678,027 S *	3/2013	Jerabek	D8/68
D680,400 S *	4/2013	Jerabek	D8/68
D717,625 S *	11/2014	Martone	D8/68
D843,803 S *	3/2019	Cooper	D8/68
D852,014 S *	6/2019	Kirkpatrick	D8/68
D852,015 S *	6/2019	Kirkpatrick	D8/68
10,723,005 B2 *	7/2020	Meyer	B25C 1/06
D911,139 S *	2/2021	Concari	D8/68

(Continued)

(**) Term: **15 Years**

(21) Appl. No.: **29/734,686**

(22) Filed: **May 14, 2020**

(51) **LOC (13) Cl.** **08-05**

(52) **U.S. Cl.**
USPC **D8/68**

(58) **Field of Classification Search**
USPC D8/61-70
CPC .. B25C 1/001; B25C 1/04; B25C 1/06; B25C
1/041; B25C 1/047

See application file for complete search history.

(56) **References Cited**

U.S. PATENT DOCUMENTS

5,180,091 A *	1/1993	Ota	B25C 5/1689 227/120
D435,769 S *	1/2001	Etter	D8/68
D475,597 S *	6/2003	Arai	D8/68
6,913,180 B2 *	7/2005	Schuster	B25C 1/005 227/109
D512,621 S *	12/2005	Thomas	D8/69
D512,622 S *	12/2005	Thomas	D8/69
D514,412 S *	2/2006	Lawrence	D8/68
D552,954 S *	10/2007	Buck	D8/69
D553,931 S *	10/2007	Buck	D8/68
D572,556 S *	7/2008	Leasure	D8/69
D633,354 S *	3/2011	Buck	D8/69
8,162,073 B2 *	4/2012	Krondorfer	B25C 5/15 173/1
8,174,274 B2 *	5/2012	Lawrence	G01N 27/24 324/686

OTHER PUBLICATIONS

“The 5 Best Nail Guns (2021 Review).” This Old House., Dec. 9, 2020 [online], [retrieved on Oct. 1, 2021], Retrieved from the Internet <URL: <https://www.thisoldhouse.com/tools/21565973/best-nail-guns>>.*

(Continued)

Primary Examiner — Darlington Ly

(74) *Attorney, Agent, or Firm* — Thompson Hine LLP

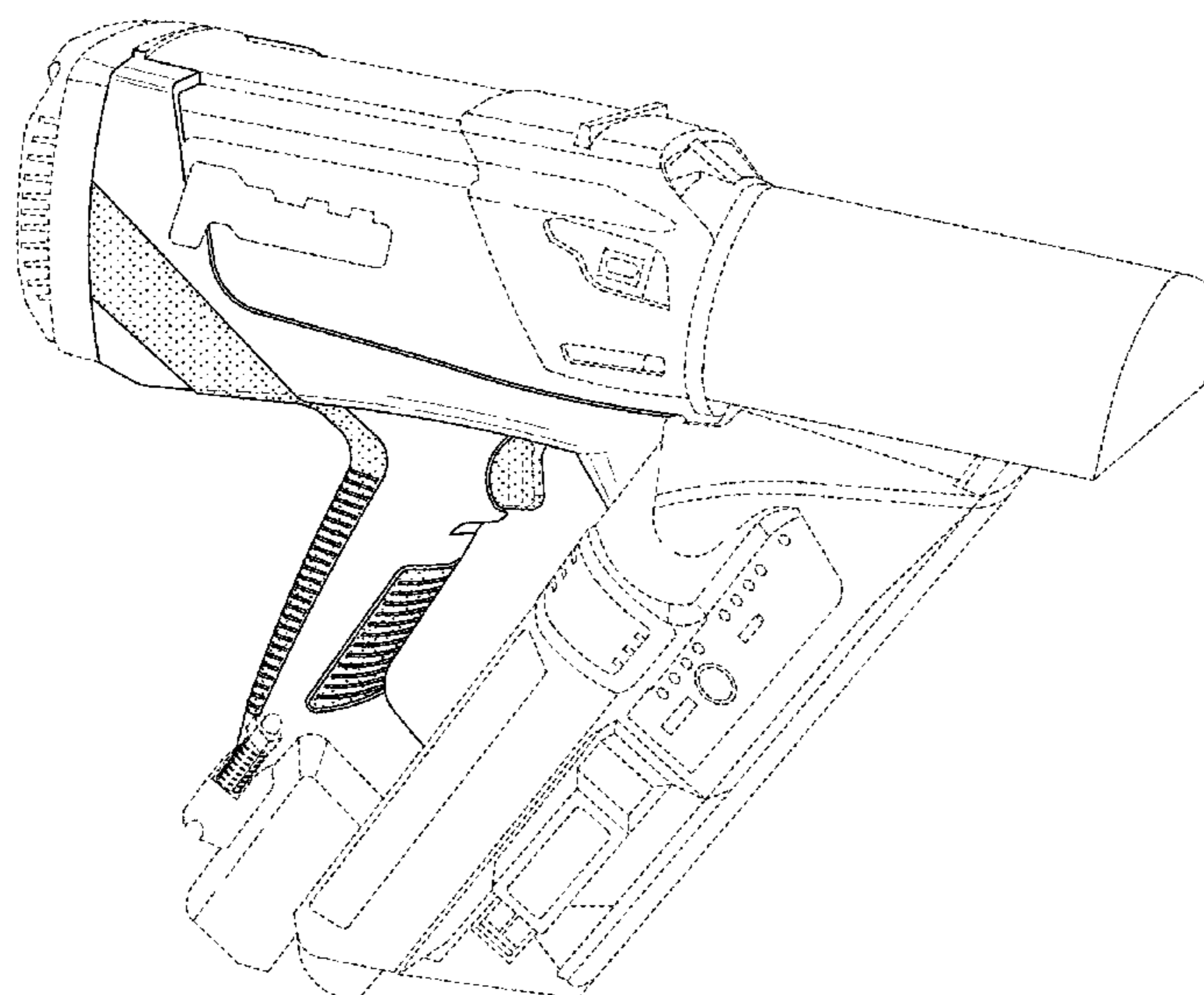
(57) **CLAIM**

The ornamental design for a nail gun, as shown and described.

DESCRIPTION

FIG. 1 is a perspective view of a nail gun embodying my new design;
FIG. 2 is top plan view thereof;
FIG. 3 is a left side elevation view thereof;
FIG. 4 is right side elevation view thereof;
FIG. 5 is a bottom plan view thereof;
FIG. 6 is rear elevation view thereof; and,
FIG. 7 is front elevation view thereof.
The stippling in FIGS. 1-7 represents a contrast in appearance as compared to non-stippled portions. The broken lines in FIGS. 1-7 illustrate portions of the nail gun that form no part of the claimed design.

1 Claim, 7 Drawing Sheets



(56)

References Cited

U.S. PATENT DOCUMENTS

D912,488 S * 3/2021 Kirkpatrick D8/68
D920,757 S * 6/2021 Concari D8/68
2010/0206933 A1* 8/2010 Wu B25C 1/08
227/8
2014/0231485 A1* 8/2014 Bauer B25C 1/04
227/8

OTHER PUBLICATIONS

Sarah Jones. "Best Air Framing Nailer for 2020: Reviews of 8 Pneumatic Nail Guns." This DIY Hammer., Dec. 6, 2019 [online], [retrieved on Oct. 1, 2021], Retrieved from the Internet <URL: <https://thedihammer.com/best-framing-nailer-reviews/>>.*

Rob Robillard. "Best 18 Gauge Cordless Brad Nailer." Tool Box Buzz., Aug. 15, 2019 [online], [retrieved on Oct. 1, 2021], Retrieved from the Internet <URL: <https://www.toolboxbuzz.com/cordless-tools/best-18-gauge-cordless-brad-nailer/>>.*

Martin Smith. "Top 9 Best Brad Nailers Reviewed Mar. 2019—Buyer's Guide." Top Best Reviews., Apr. 15, 2018 [online], [retrieved on Oct. 1, 2021], Retrieved from the Internet <URL: <https://topbestreviewss.com/tools/best-brad-nailers-reviewed/>>.*

* cited by examiner

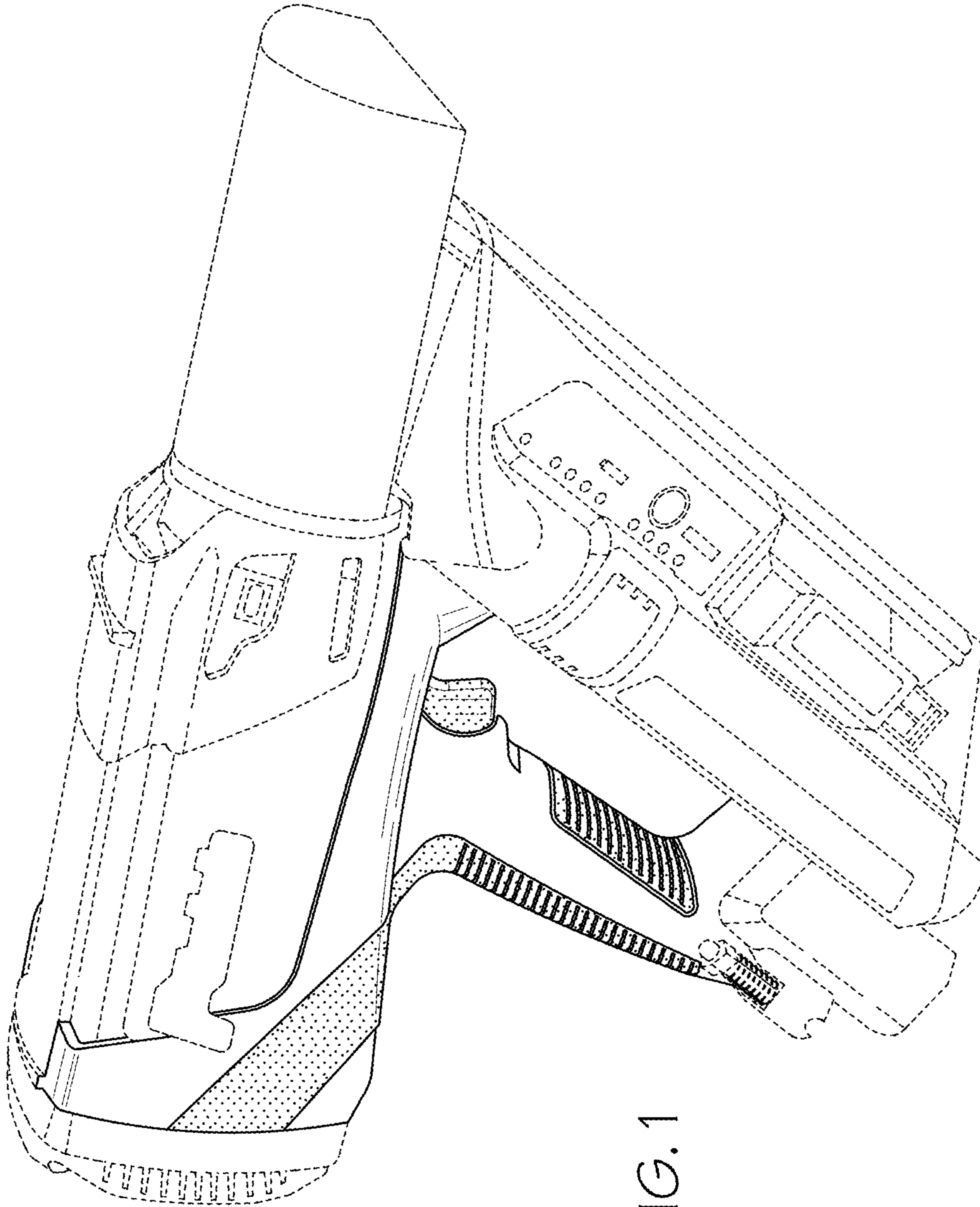


FIG. 1

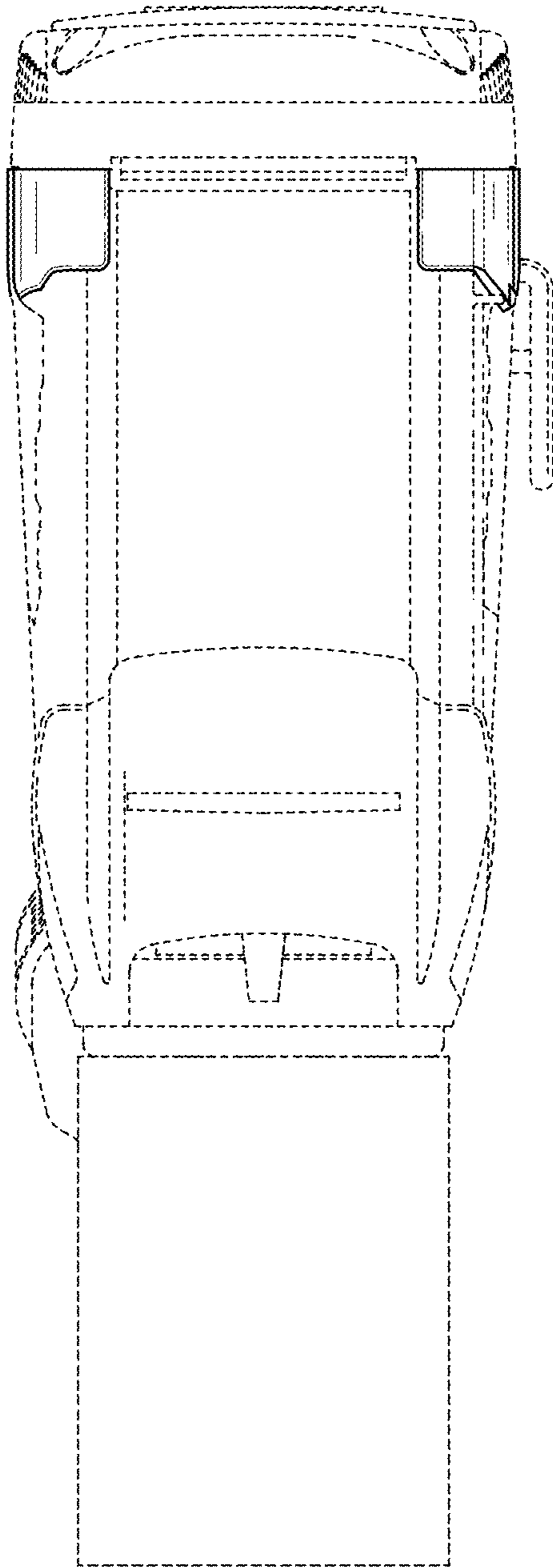


FIG. 2

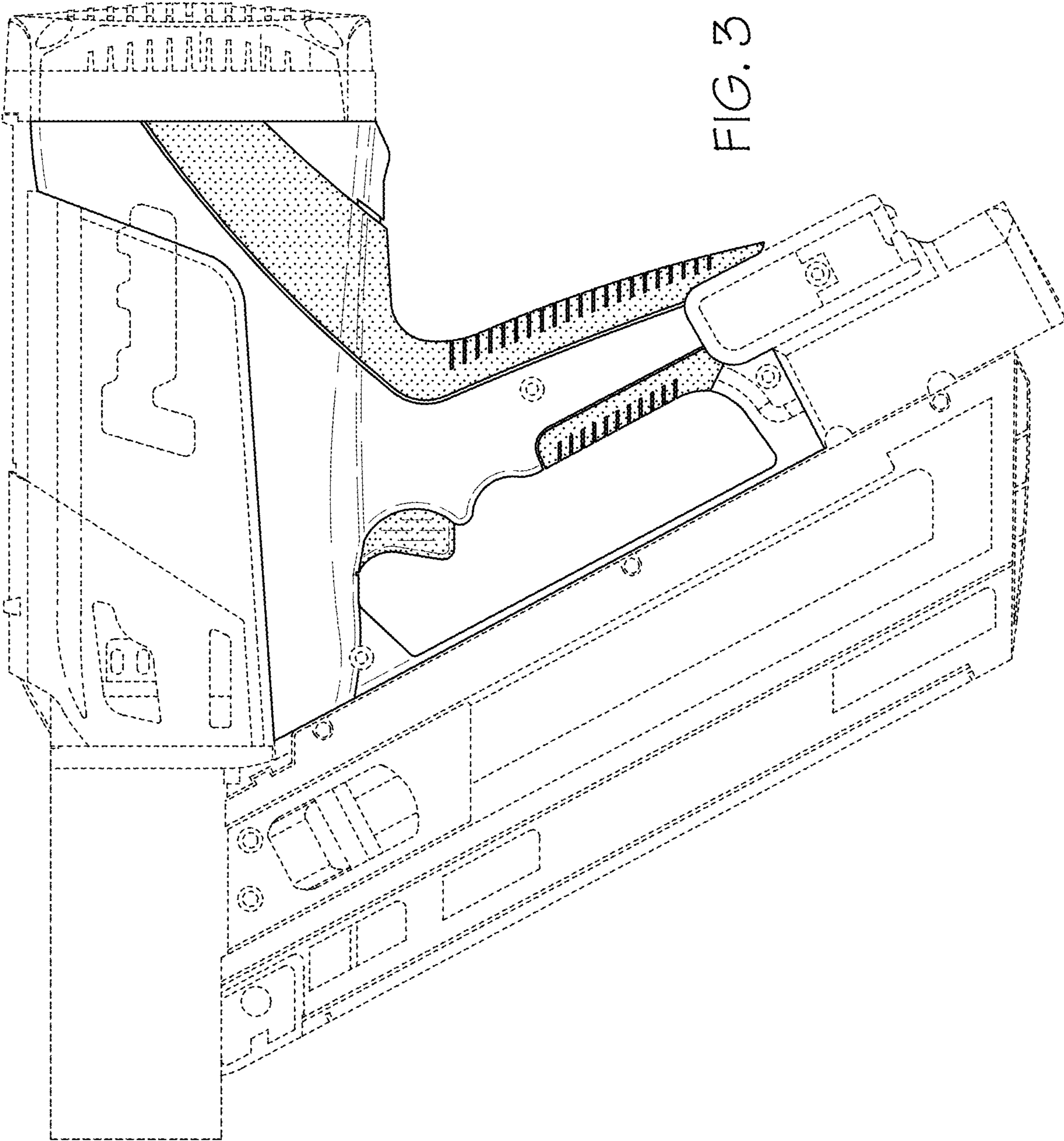


FIG. 3

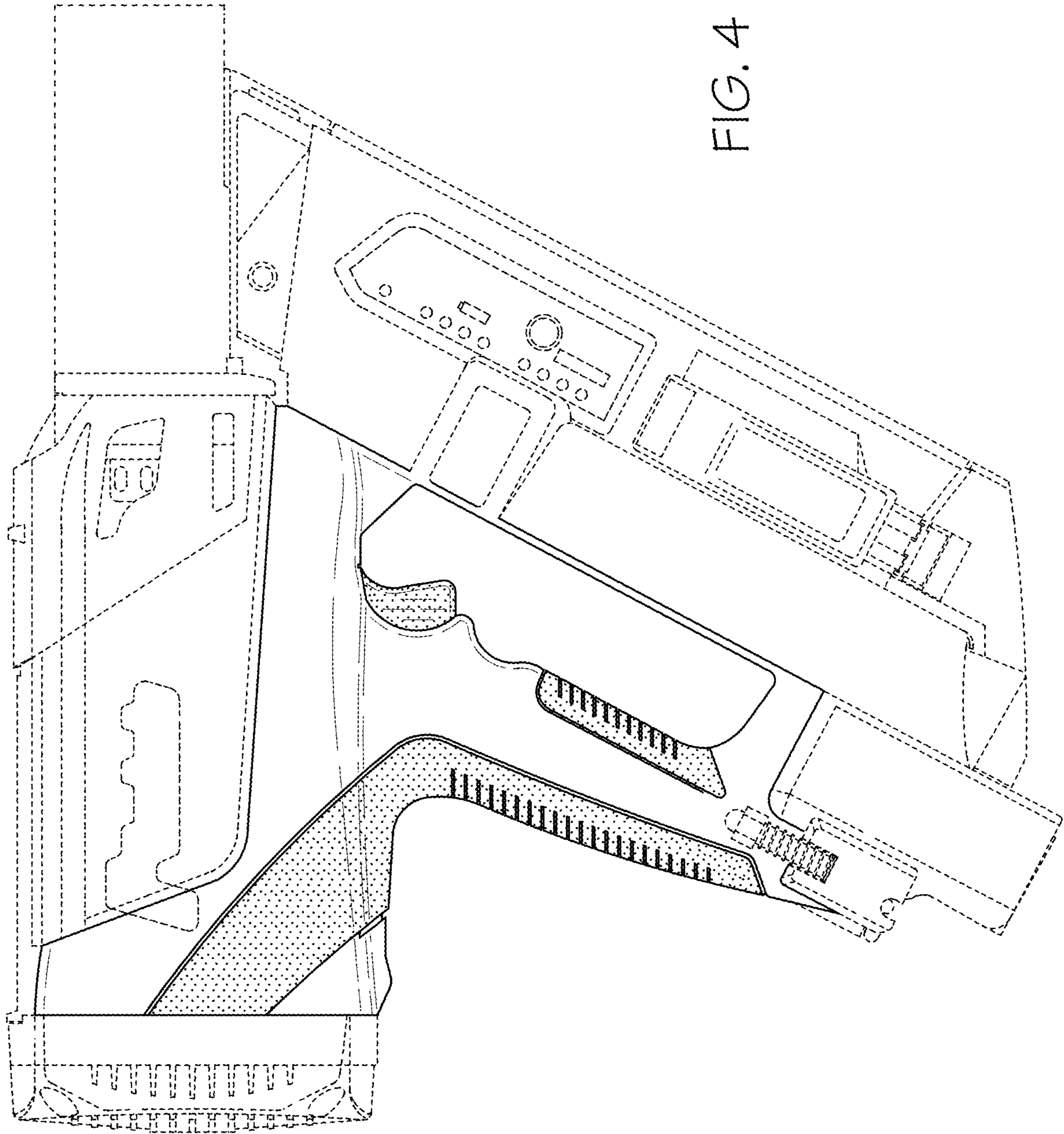


FIG. 4

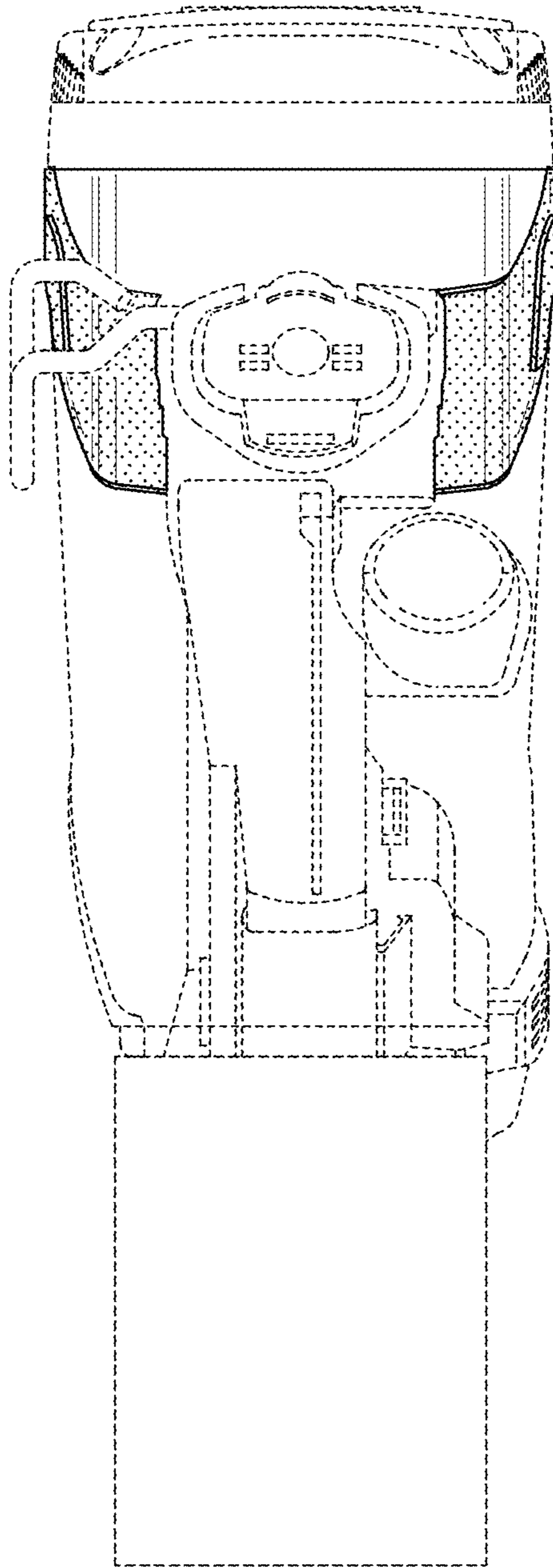


FIG. 5

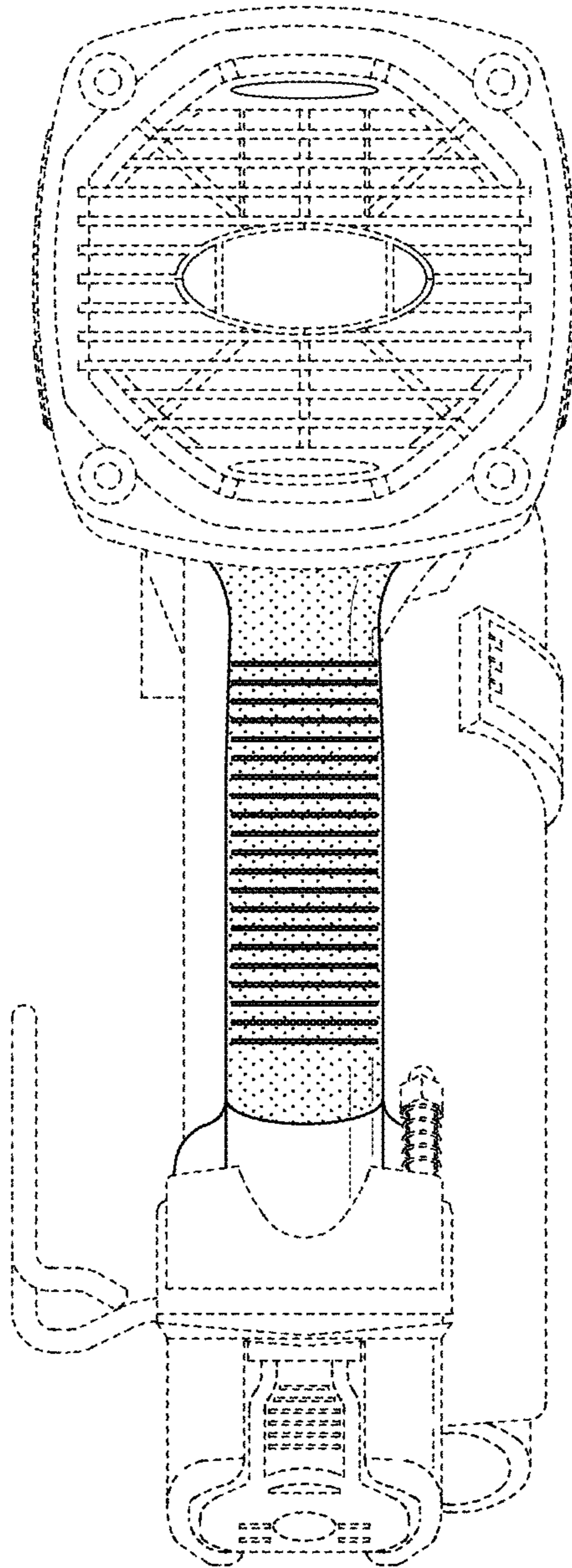


FIG. 6

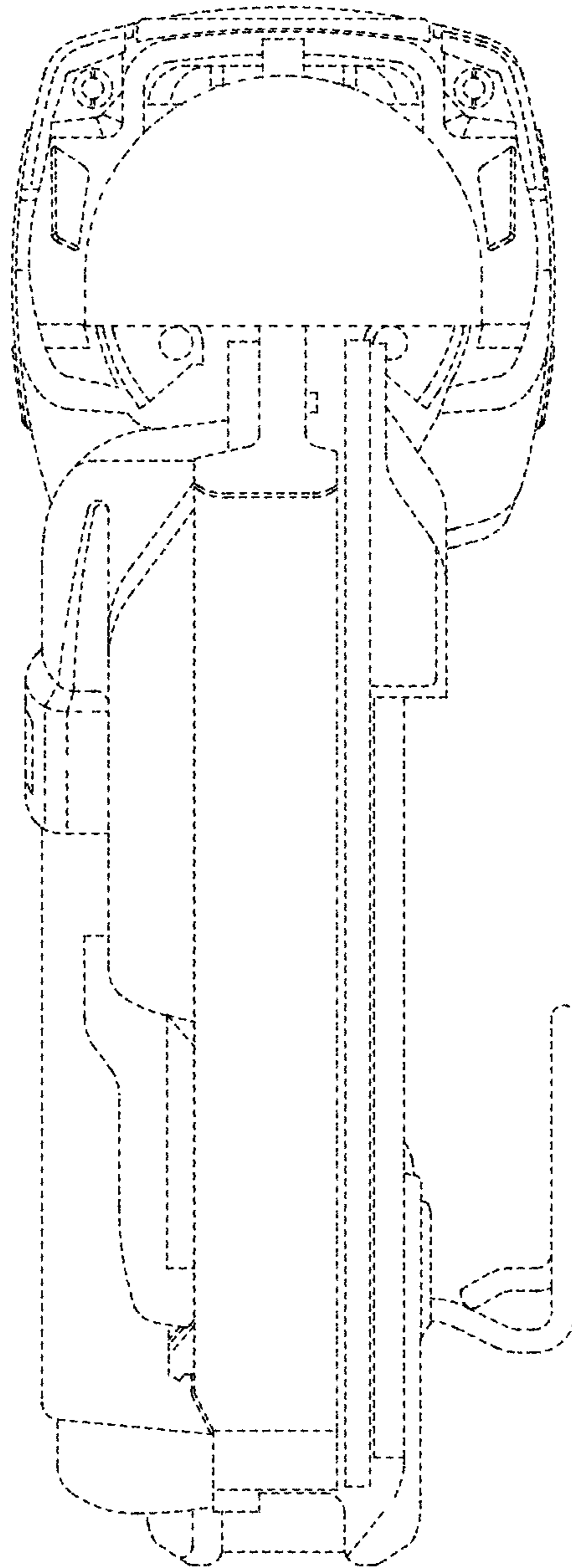


FIG. 7