



US00D960673S

(12) **United States Design Patent**
Wang

(10) **Patent No.:** **US D960,673 S**

(45) **Date of Patent:** **** Aug. 16, 2022**

(54) **HAND TOOL**

(71) Applicant: **Leiming Wang**, Shenzhen (CN)

(72) Inventor: **Leiming Wang**, Shenzhen (CN)

(**) Term: **15 Years**

(21) Appl. No.: **29/758,438**

(22) Filed: **Nov. 16, 2020**

(30) **Foreign Application Priority Data**

Nov. 2, 2020 (CN) 202030657835.0

(51) **LOC (13) Cl.** **08-05**

(52) **U.S. Cl.**
USPC **D8/14; D8/89**

(58) **Field of Classification Search**
USPC D8/14, 82, 83, 88, 89
CPC E04G 23/08; B66F 15/00; B25C 11/00
See application file for complete search history.

(56) **References Cited**

U.S. PATENT DOCUMENTS

3,825,226 A * 7/1974 Appleman B25C 11/00
254/28
D256,442 S * 8/1980 Martin 254/25

D355,103 S * 2/1995 Bartlett D8/14
D465,389 S * 11/2002 Norton D8/14
6,663,082 B1 * 12/2003 Ploeger B25C 11/00
254/129
7,048,255 B2 * 5/2006 Buch B25C 11/00
254/25
7,523,525 B2 * 4/2009 Lawless B25B 33/00
16/430
8,032,991 B2 * 10/2011 Lawless B25G 1/105
16/430
D821,843 S * 7/2018 Graykowski D8/89
D911,799 S * 3/2021 Sweitzer D8/47

* cited by examiner

Primary Examiner — Philip S Hyder

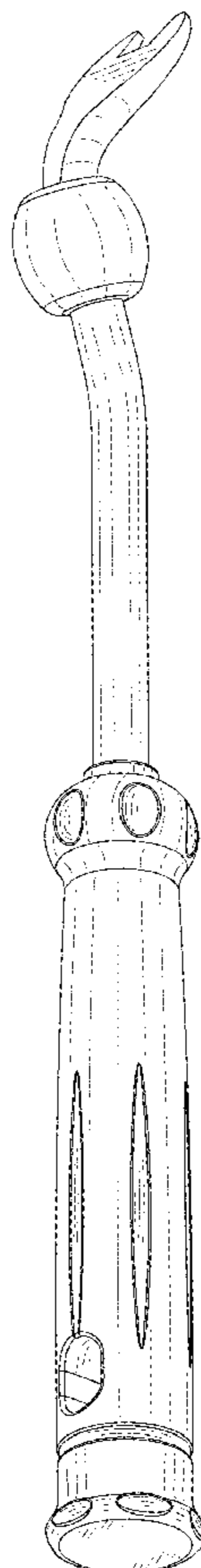
(57) **CLAIM**

The ornamental design for a hand tool, as shown and described.

DESCRIPTION

FIG. 1 is a perspective view of a hand tool showing my new design;
FIG. 2 is a front view thereof;
FIG. 3 is a rear view thereof;
FIG. 4 is a left side view thereof;
FIG. 5 is a right side view thereof;
FIG. 6 is a top plan view thereof;
FIG. 7 is a bottom plan view thereof; and,
FIG. 8 is another perspective view thereof.

1 Claim, 8 Drawing Sheets



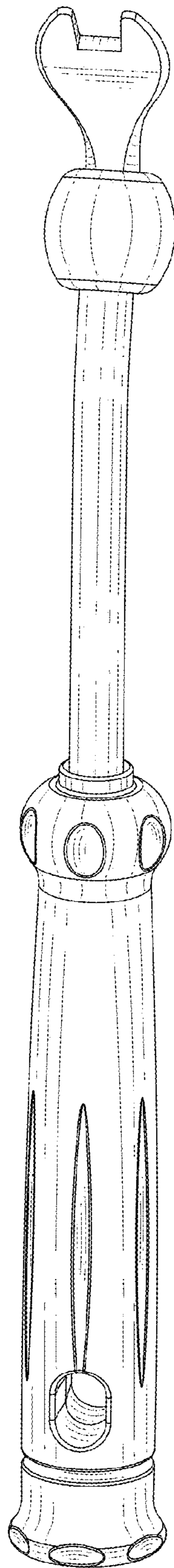


FIG. 1

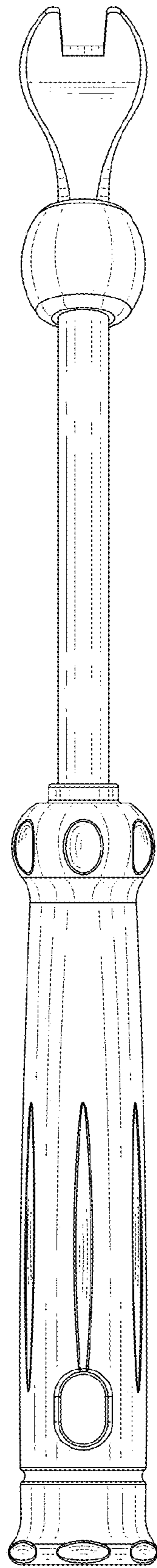


FIG. 2

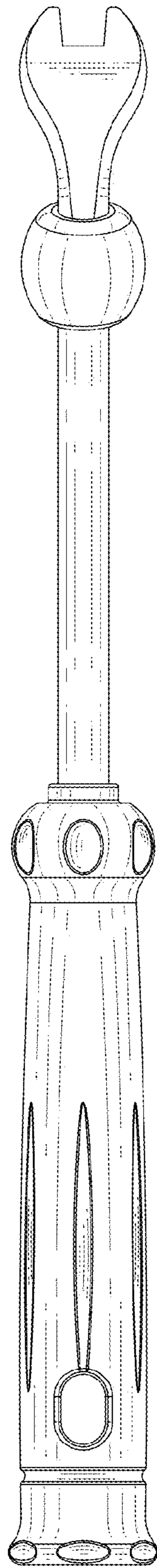


FIG. 3

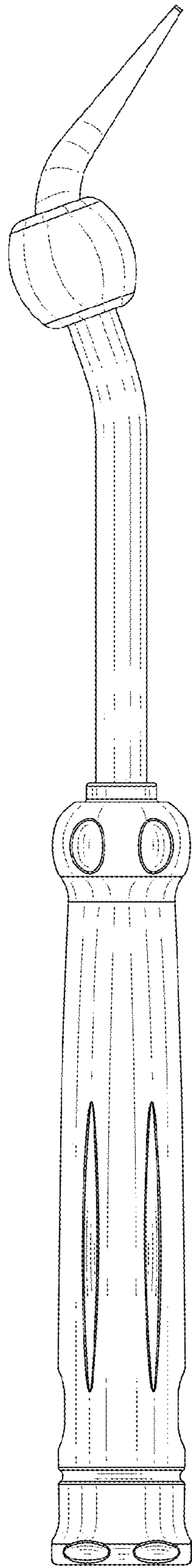


FIG. 4

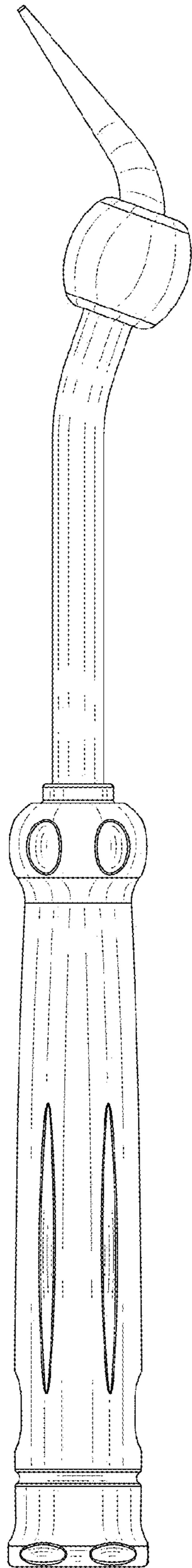


FIG. 5

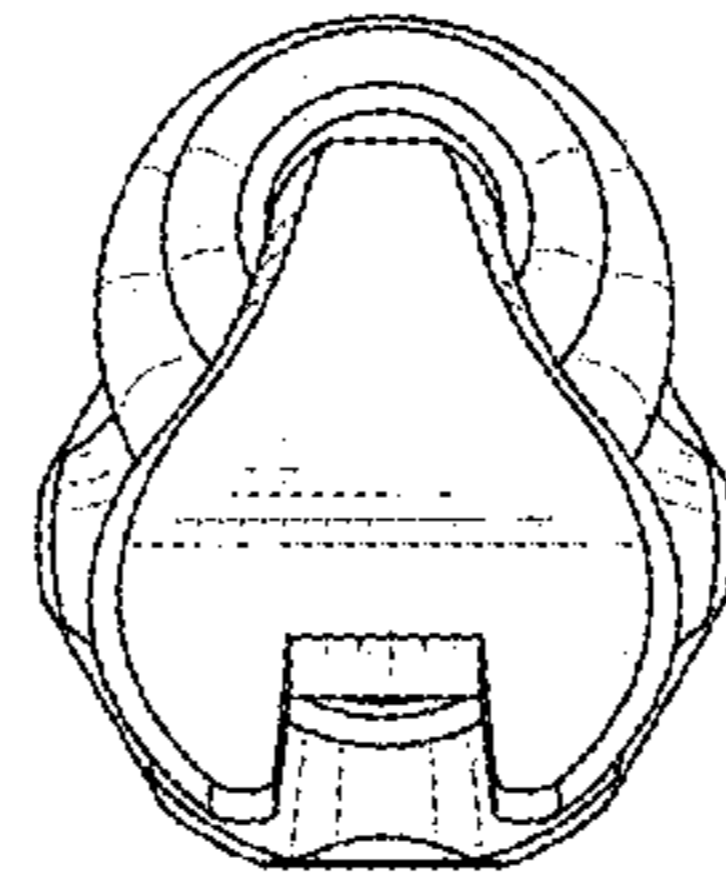


FIG. 6

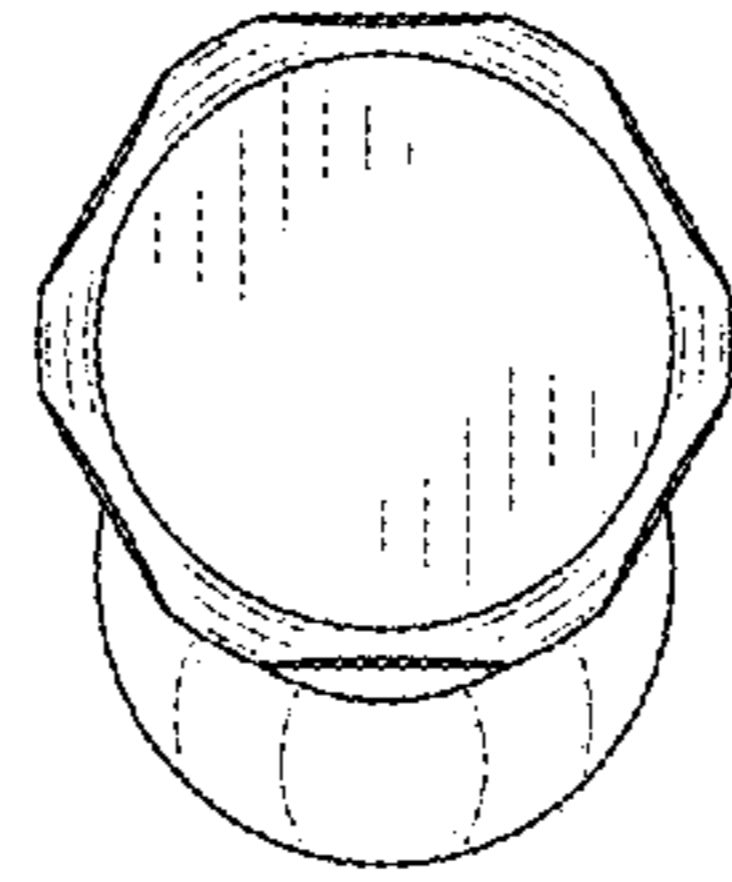


FIG. 7

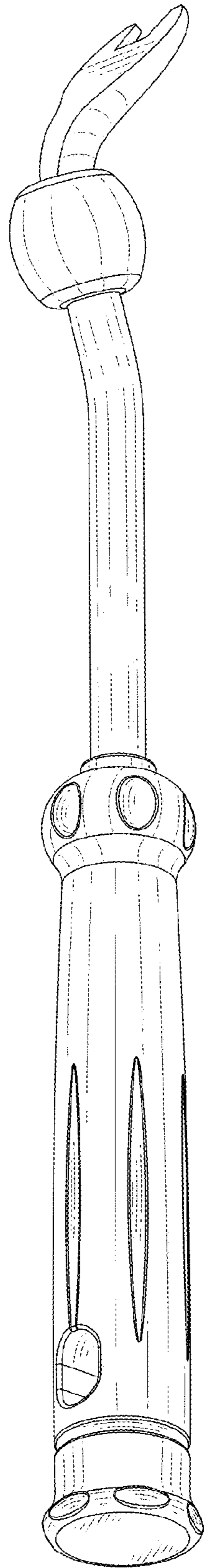


FIG. 8