

US00D960672S

(12) **United States Design Patent**
Xie

(10) **Patent No.:** **US D960,672 S**

(45) **Date of Patent:** **** Aug. 16, 2022**

- (54) **SNOW RAKE**
- (71) Applicant: **Jiacheng Xie**, Ruijin (CN)
- (72) Inventor: **Jiacheng Xie**, Ruijin (CN)
- (**) Term: **15 Years**
- (21) Appl. No.: **29/746,273**
- (22) Filed: **Aug. 12, 2020**
- (51) **LOC (13) Cl.** **08-01**
- (52) **U.S. Cl.**
USPC **D8/10**
- (58) **Field of Classification Search**
USPC D8/10, 13, 303; D32/49, 51
CPC E04D 13/106; E04D 13/10; E01H 5/02;
B25G 1/04
See application file for complete search history.

- 5,570,524 A * 11/1996 Groat E04D 13/106
37/268
- D384,558 S * 10/1997 Mele D8/10
- 5,676,413 A * 10/1997 Hauck E04D 13/106
294/54.5
- D391,815 S * 3/1998 Venezia D32/49
- 5,791,707 A * 8/1998 Szakurski A01B 1/225
294/51
- D405,664 S * 2/1999 Stryd D8/10
- D405,666 S * 2/1999 Whitehead D8/13
- D411,788 S * 7/1999 Watson D8/13
- 5,943,796 A * 8/1999 Hedstrom E04D 13/0765
37/285
- 5,956,873 A * 9/1999 Hess E04D 13/106
37/265
- 6,018,894 A * 2/2000 Whitehead E04D 13/106
294/54.5
- 6,092,315 A * 7/2000 Katauskas E04D 13/106
15/236.01

(Continued)

Primary Examiner — Sheryl Lane
Assistant Examiner — Ieisha N Price

(56) **References Cited**

U.S. PATENT DOCUMENTS

- 3,091,790 A * 6/1963 Schroeder E04D 13/106
15/105
- D213,060 S * 12/1968 Kutz D8/10
- 3,773,375 A * 11/1973 Nehls E04D 13/106
37/268
- 3,998,486 A * 12/1976 Mittelstadt E04D 13/106
37/285
- 4,185,403 A * 1/1980 Hardgrove E01H 5/02
15/257.1
- D265,007 S * 6/1982 Cuta D32/49
- 4,550,943 A * 11/1985 Mirto E01H 5/02
294/50.8
- 5,083,388 A * 1/1992 Cooley E04D 13/106
37/268
- D345,492 S * 3/1994 Mele D8/10
- D360,342 S * 7/1995 Shea 294/49
- 5,465,510 A * 11/1995 Goodnough E04D 13/106
294/54.5

(57) **CLAIM**

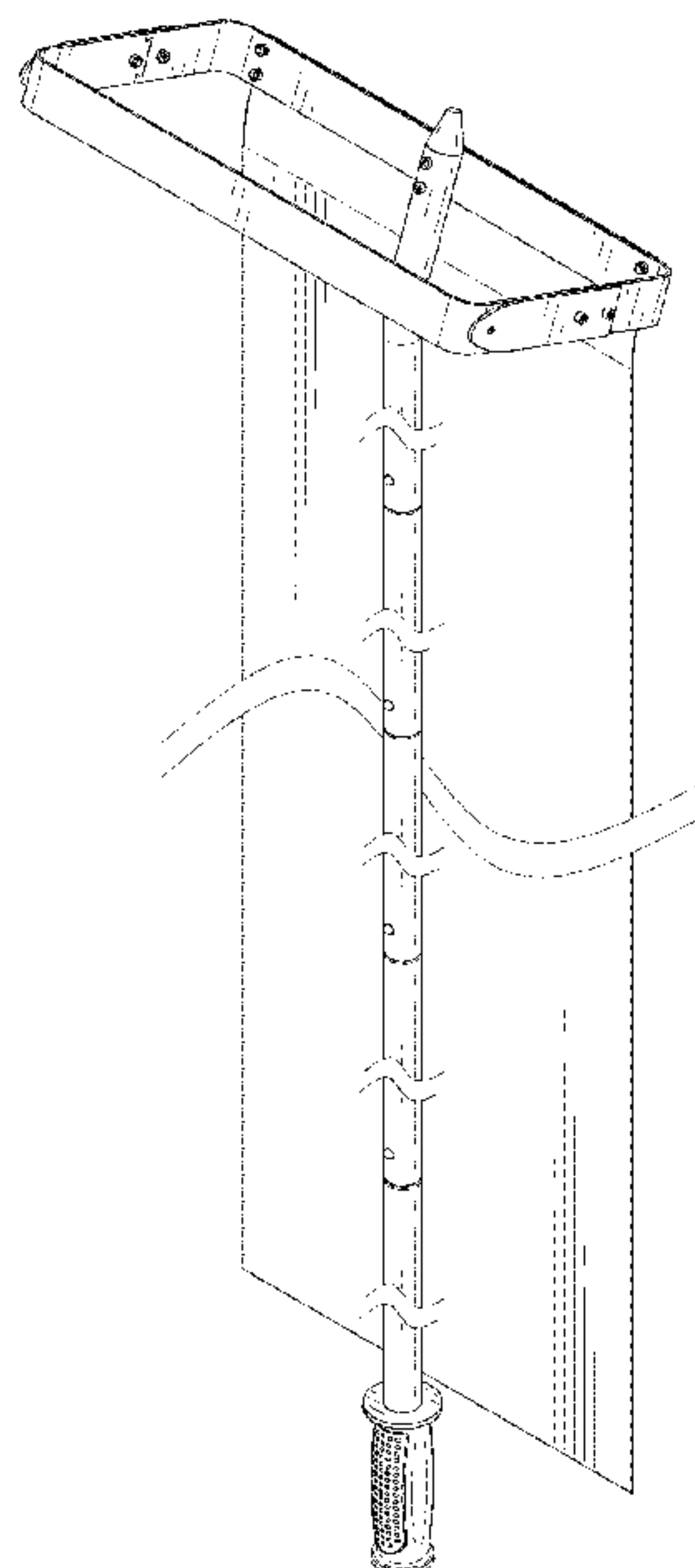
The ornamental design for a snow rake, as shown and described.

DESCRIPTION

FIG. 1 is a front, right side, top perspective view of a snow rake showing my new design;
 FIG. 2 is a front elevational view thereof;
 FIG. 3 is a rear elevational view thereof;
 FIG. 4 is a left side elevational view thereof;
 FIG. 5 is a right side elevational view thereof;
 FIG. 6 is a top plan view thereof; and,
 FIG. 7 is a bottom plan view thereof.

The snow rake is shown with symbolic breaks in its length. The appearance of any portions of the article between the break lines forms no part of the claimed design.

1 Claim, 7 Drawing Sheets



(56)

References Cited

U.S. PATENT DOCUMENTS

6,189,942 B1 * 2/2001 Peterson E04D 13/106
294/54.5
6,202,329 B1 * 3/2001 Supplee E04D 13/106
294/54.5
6,338,210 B1 * 1/2002 Mele E04D 13/0765
294/54.5
D458,521 S * 6/2002 Stryd D8/10
D461,106 S * 8/2002 Stryd D8/10
D507,944 S * 8/2005 Crews D8/13
7,044,020 B2 * 5/2006 Rosenthal B62K 21/26
16/421
D539,496 S 3/2007 Sickler et al.
D596,476 S * 7/2009 Welch D8/303
8,347,528 B1 * 1/2013 Seltzer E01H 5/02
37/265
D722,857 S * 2/2015 Huang D8/303
D740,098 S * 10/2015 Kuo D8/303
D782,887 S * 4/2017 Karp D8/6
9,963,882 B2 * 5/2018 Daneau E01H 5/06
10,640,093 B2 * 5/2020 Wood A47L 13/022
10,767,371 B1 * 9/2020 Ramsey E04D 13/106
10,794,060 B1 * 10/2020 Ramsey B08B 1/005
10,920,425 B2 * 2/2021 Mercier E04D 13/106
2013/0139414 A1 * 6/2013 Hogenson E01H 5/02
37/266
2015/0308059 A1 * 10/2015 Khan E01H 5/045
37/284
2015/0345148 A1 * 12/2015 Guevara E04D 13/106
37/197
2016/0348374 A1 * 12/2016 Senchuk E04D 13/106
2017/0260705 A1 * 9/2017 Katauskas E01H 5/061
2020/0224380 A1 * 7/2020 Wyatt E04D 13/106

* cited by examiner

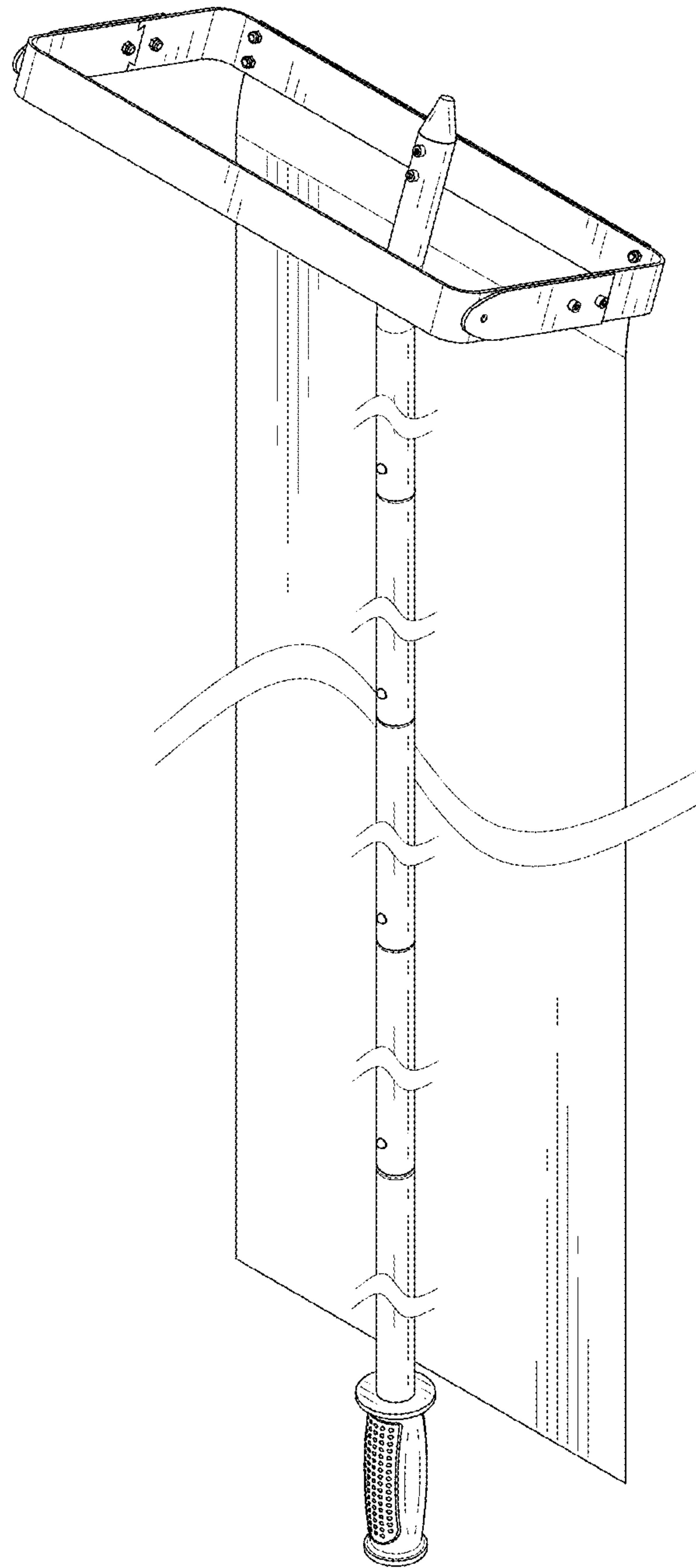


FIG.1

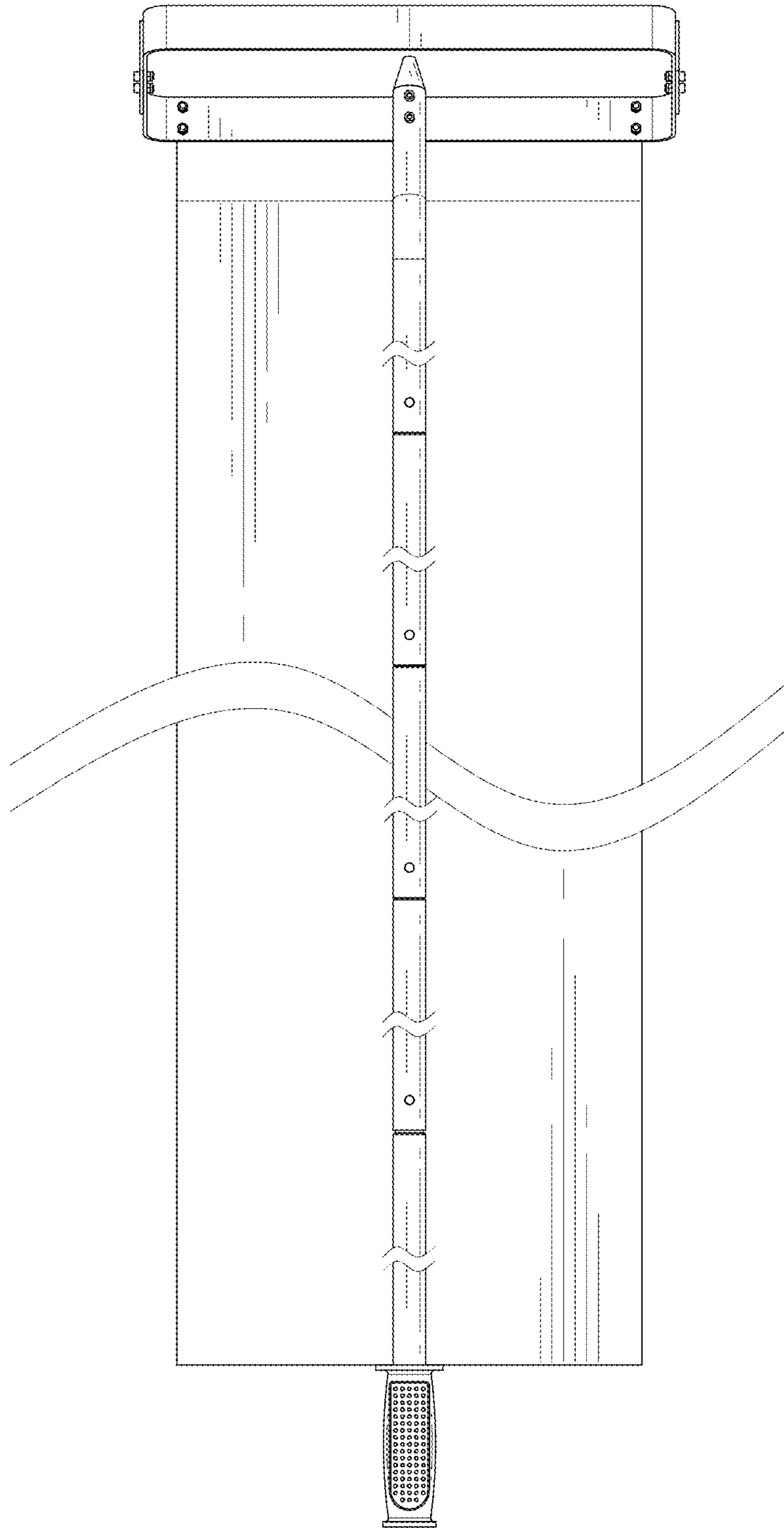


FIG.2

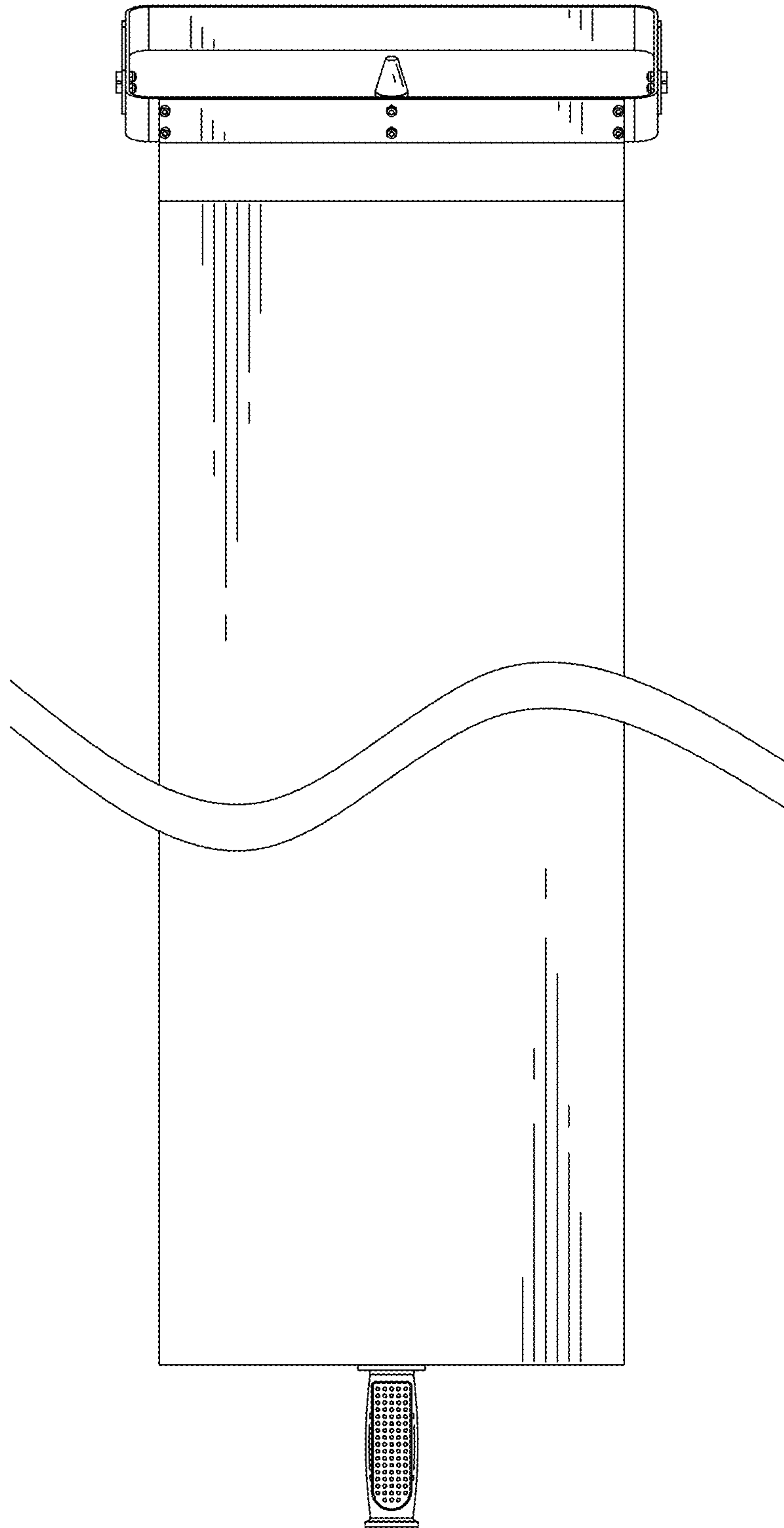


FIG.3

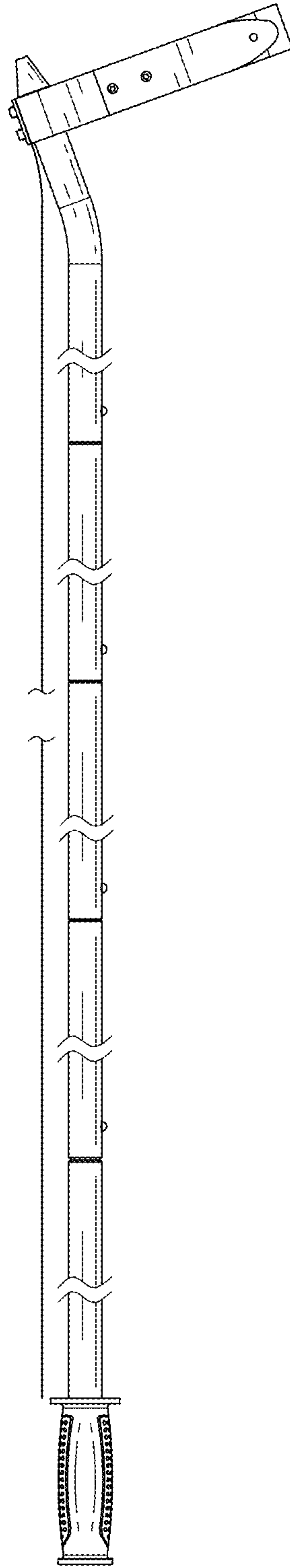


FIG. 4

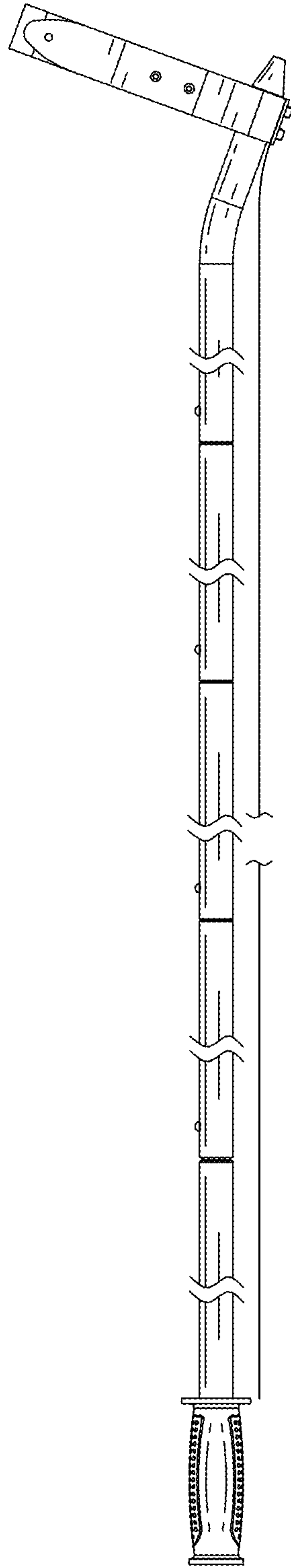


FIG.5

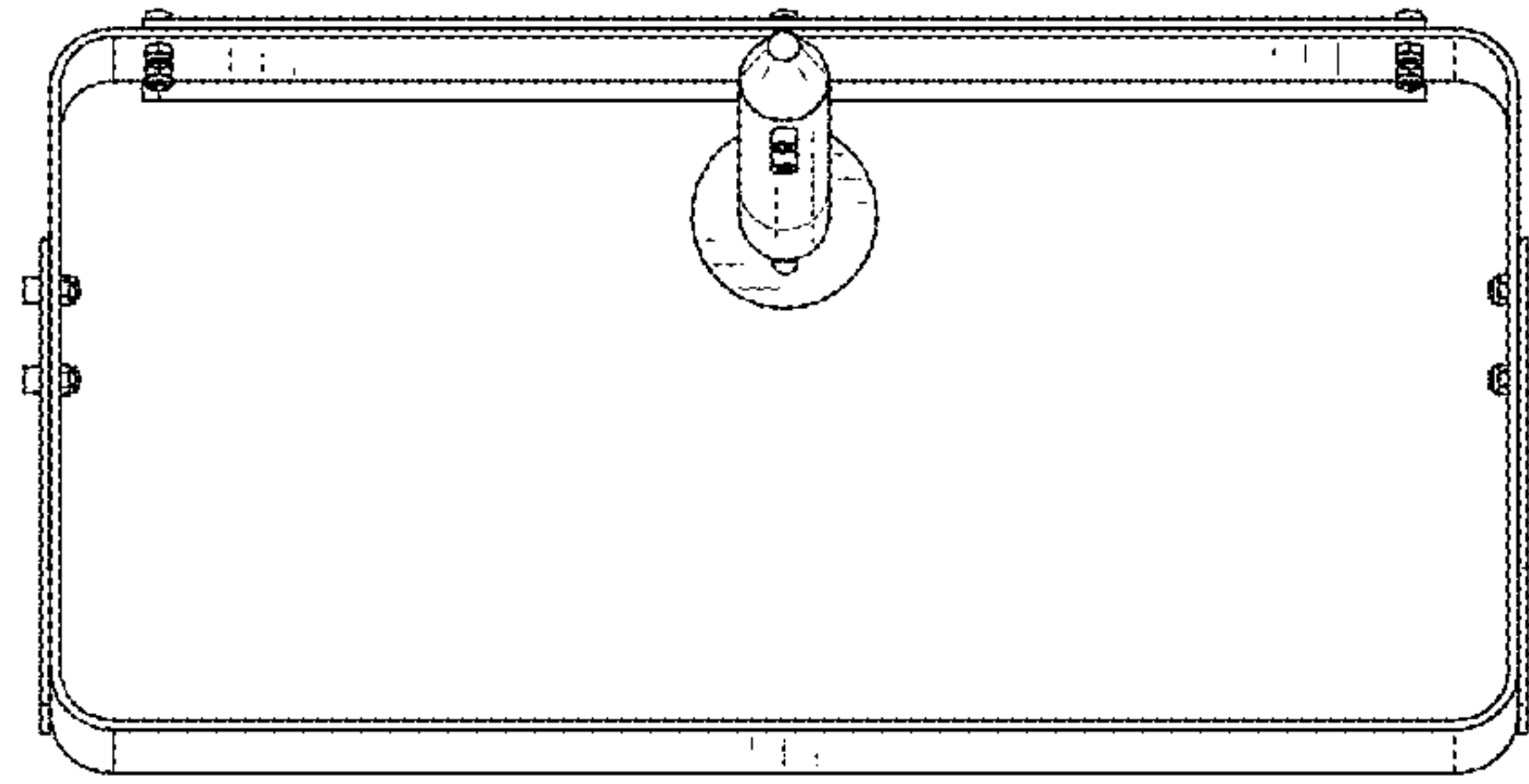


FIG.6

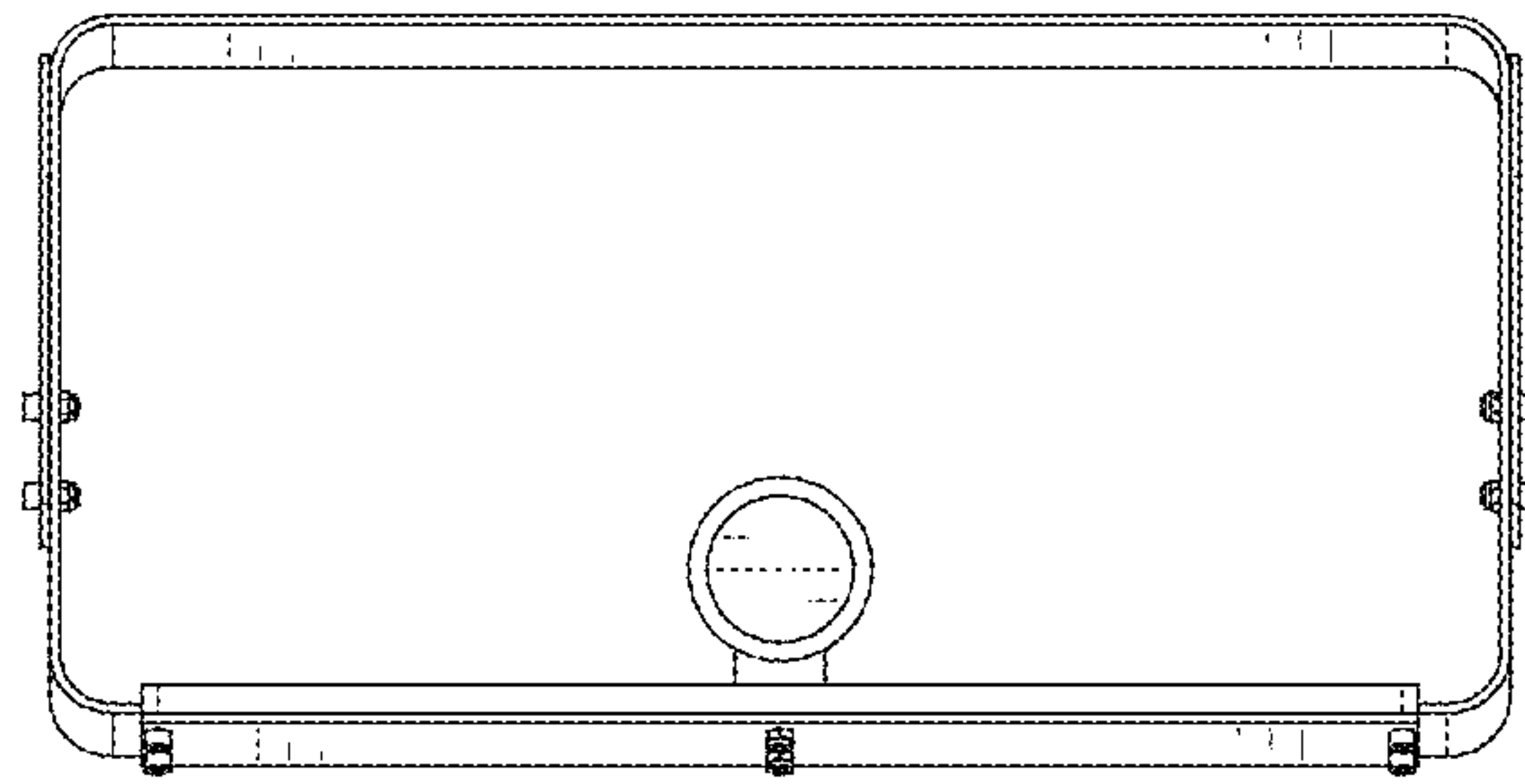


FIG.7