

US00D960671S

(12) **United States Design Patent**
Waxman

(10) **Patent No.:** **US D960,671 S**
(45) **Date of Patent:** **** Aug. 16, 2022**

(54) **SNOW SHOVEL**
(71) Applicant: **WAXMAN SALES, LLC**, Austin, TX (US)
(72) Inventor: **Adam Waxman**, Austin, TX (US)
(73) Assignee: **WAXMAN SALES, LLC**, Austin, TX (US)
(**) Term: **15 Years**
(21) Appl. No.: **29/727,526**

D397,005 S * 8/1998 Whitehead D8/10
5,921,600 A * 7/1999 Lucas A01B 1/026
294/58
5,951,078 A * 9/1999 Whitehead B25G 1/04
294/54.5
6,412,843 B1 * 7/2002 Burbrink A01B 1/022
294/57
7,118,145 B1 * 10/2006 Rosine B25G 1/01
294/57
D546,645 S * 7/2007 Rosine D8/10
D565,366 S * 4/2008 Buscher D8/10
D719,417 S * 12/2014 Hua D8/10
D766,053 S * 9/2016 Kunnas D8/10
D807,132 S * 1/2018 Aguilar D8/10
D847,592 S * 5/2019 Kopp D8/10

(Continued)

(22) Filed: **Mar. 11, 2020**
(51) **LOC (13) Cl.** **08-01**
(52) **U.S. Cl.**
USPC **D8/10**
(58) **Field of Classification Search**
USPC D8/7, 10
CPC E01H 5/00; E01H 5/02; A01B 1/02; A01B
1/022; A01B 1/026; A01B 1/22; A01B
15/02; B25G 1/04

Primary Examiner — Sheryl Lane
Assistant Examiner — Ieisha N Price
(74) *Attorney, Agent, or Firm* — K&L Gates LLP

See application file for complete search history.

(57) **CLAIM**

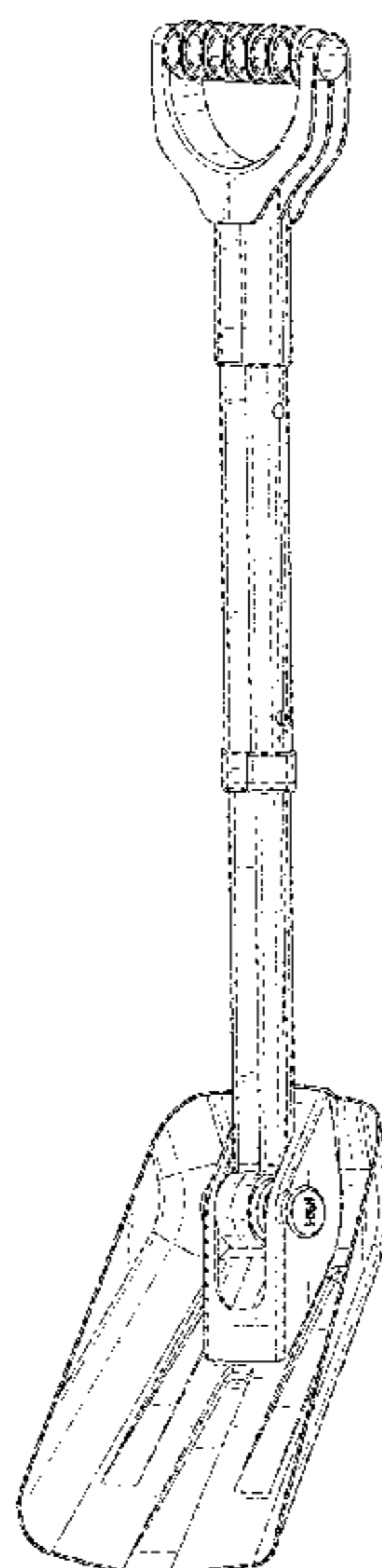
The ornamental design for a snow shovel, as shown and described.

DESCRIPTION

(56) **References Cited**
U.S. PATENT DOCUMENTS
239,397 A * 3/1881 Murphy A01B 1/02
294/49
937,754 A * 10/1909 Bartels A01B 1/022
294/51
2,529,342 A * 11/1950 Kopplin A01B 1/22
294/57
2,887,337 A * 5/1959 Begue A01G 20/40
294/181
D363,862 S * 11/1995 Lusignan 294/49
5,533,768 A * 7/1996 Mitchell B25G 1/01
294/54.5
D377,300 S * 1/1997 Fredrick von Essen D8/10
5,727,831 A * 3/1998 Dritlein, Jr. A01B 1/02
294/51
D393,991 S * 5/1998 Tisbo D8/10

FIG. 1 illustrates a perspective view of a snow shovel embodying the invention.
FIG. 2 illustrates a front view of the snow shovel shown in FIG. 1.
FIG. 3 illustrates a rear view of the snow shovel shown in FIG. 1.
FIG. 4 illustrates a left side view of the snow shovel shown in FIG. 1.
FIG. 5 illustrates a right side view of the snow shovel shown in FIG. 1.
FIG. 6 illustrates a top view of the snow shovel shown in FIG. 1; and,
FIG. 7 illustrates a bottom view of the snow shovel shown in FIG. 1.

1 Claim, 4 Drawing Sheets



(56)

References Cited

U.S. PATENT DOCUMENTS

D875,485	S *	2/2020	Nieters	D8/10
D895,383	S *	9/2020	Thorn	D8/10
D905,515	S *	12/2020	Nieters	D8/10
2005/0242598	A1 *	11/2005	Pin	A01B 1/026 294/58
2007/0108782	A1 *	5/2007	Walker	A01B 1/022 294/51
2011/0042980	A1 *	2/2011	Wiseman, II	A01B 1/02 294/49
2014/0217759	A1 *	8/2014	Uffner	E01H 5/02 294/51
2014/0237729	A1 *	8/2014	Saxton	F21V 33/0084 7/116
2015/0123413	A1 *	5/2015	Spataro	B25F 1/02 294/54.5
2017/0362789	A1 *	12/2017	Lovell	B25G 1/102
2017/0370058	A1 *	12/2017	Herrera	A01B 1/02
2018/0163356	A1 *	6/2018	Koehler	A01B 1/04
2020/0190755	A1 *	6/2020	Werz	B25G 1/04

* cited by examiner

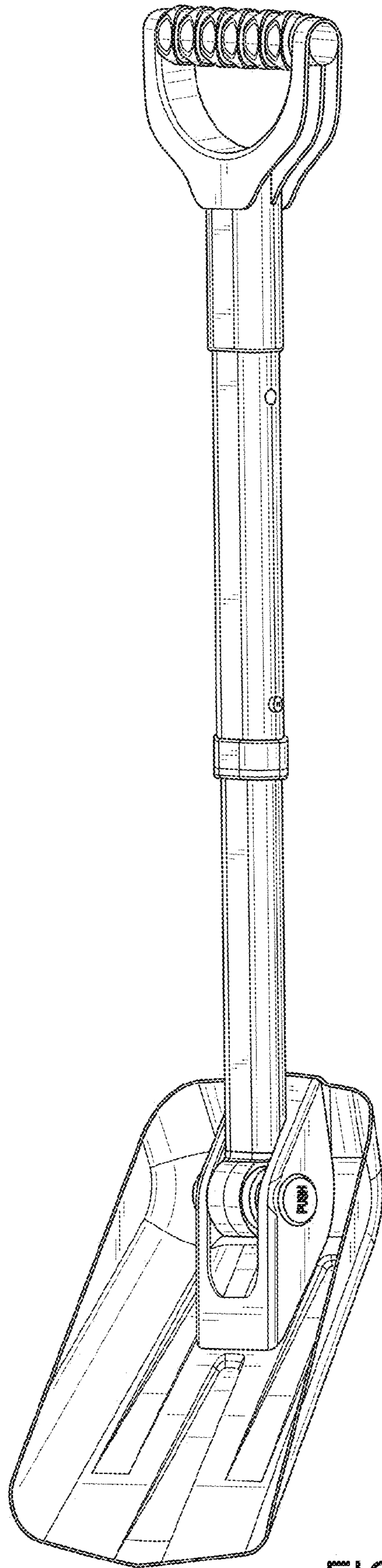


FIG. 1

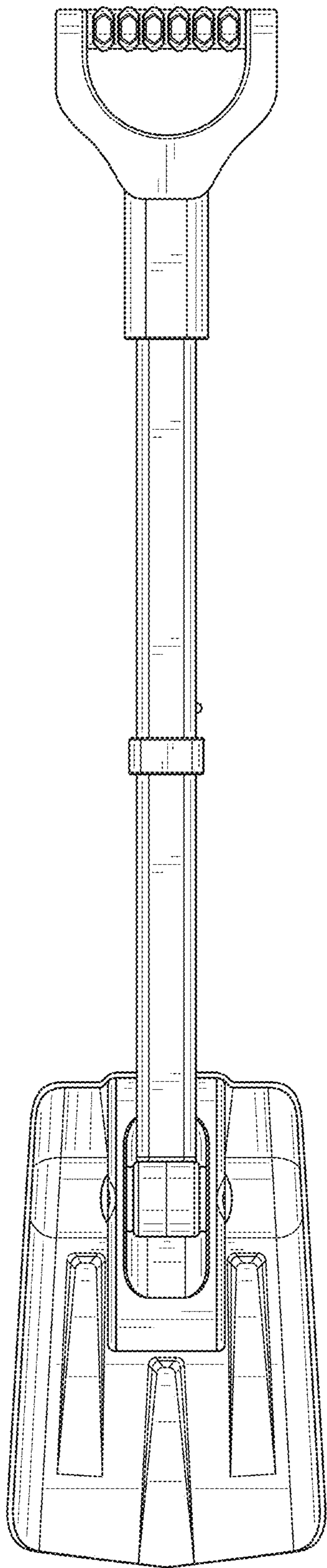


FIG. 2

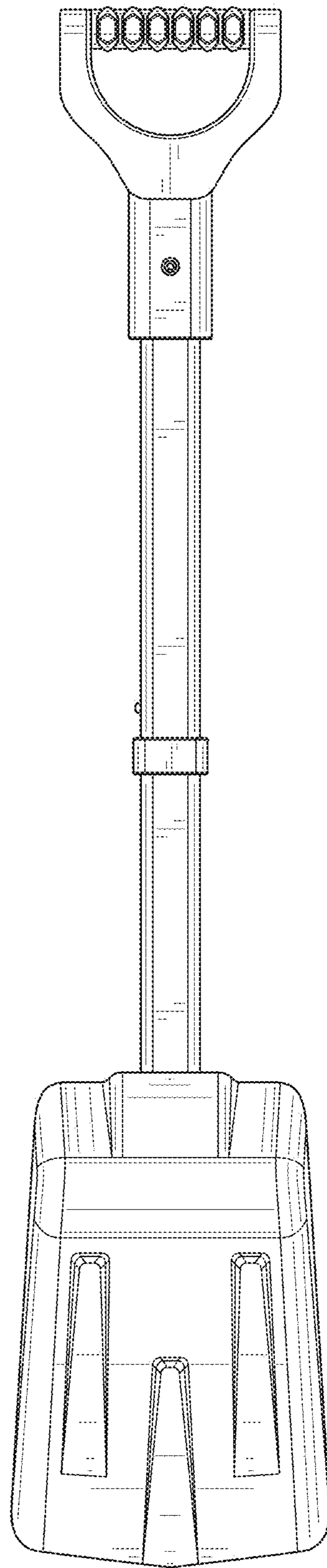


FIG. 3

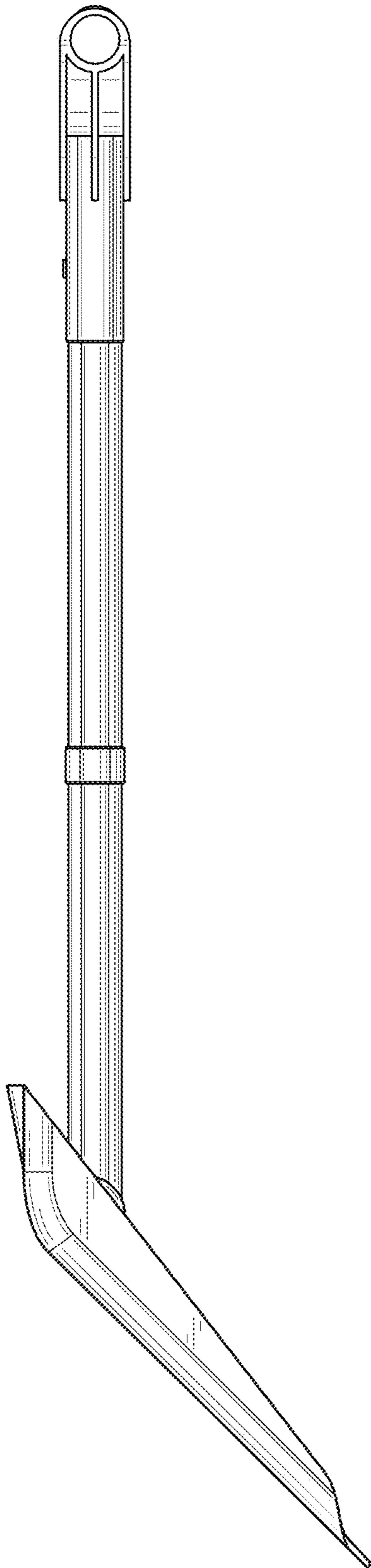


FIG. 4

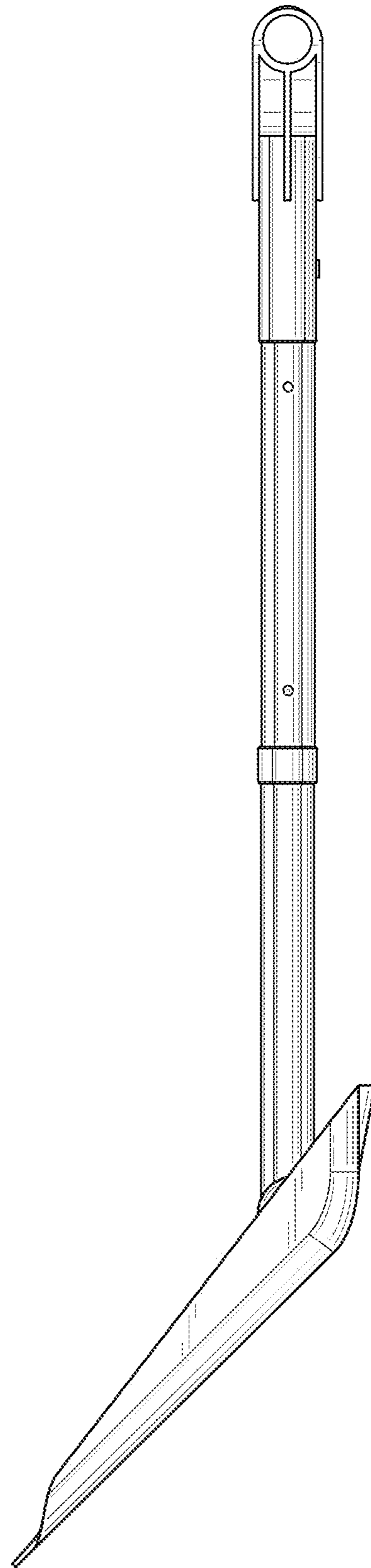


FIG. 5

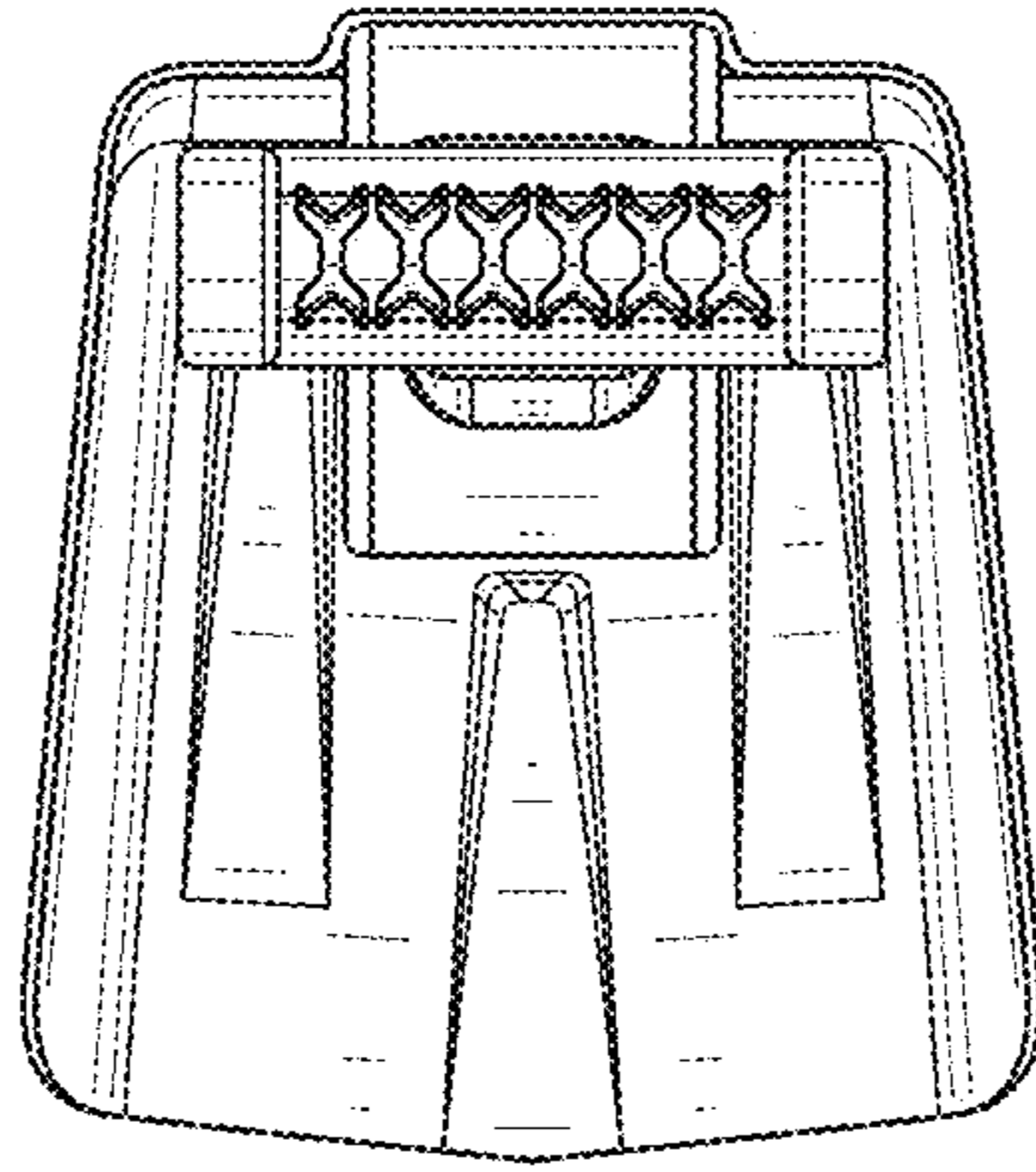


FIG. 6

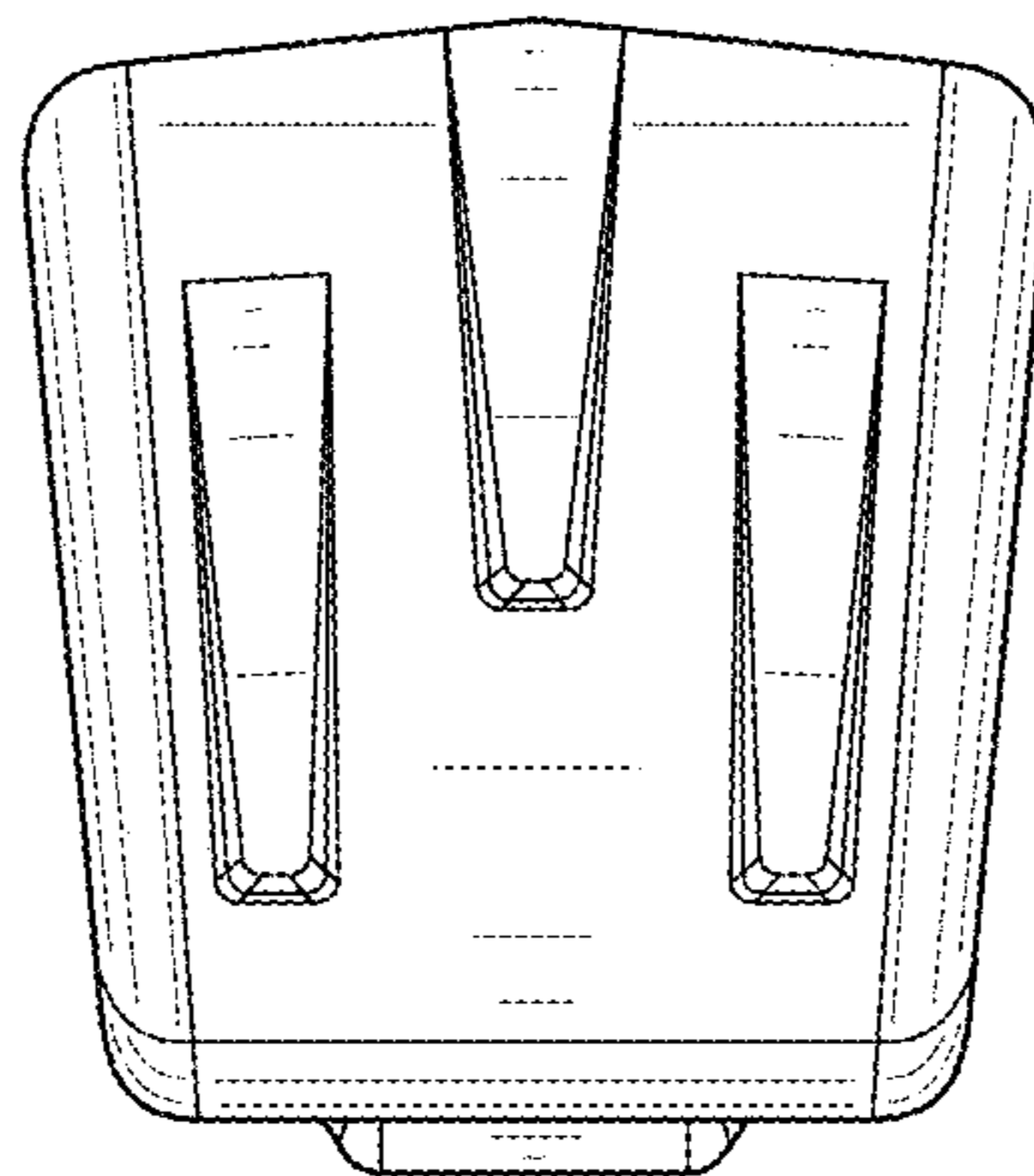


FIG. 7