



US00D960670S

(12) **United States Design Patent**
Dretzka et al.

(10) **Patent No.:** **US D960,670 S**

(45) **Date of Patent:** **** Aug. 16, 2022**

(54) **HANDLE FOR LAWN AND GARDEN TOOL**

- (71) Applicant: **THE TORO COMPANY**,
Bloomington, MN (US)
- (72) Inventors: **Philip C. Dretzka**, Woodbury, MN
(US); **Nicholas Suchoza**, Huntersville,
NC (US); **Jianlong Chen**, Jiangsu
(CN); **Xiaofei Miao**, Jiangsu (CN)

(**) Term: **15 Years**

(21) Appl. No.: **29/718,709**

(22) Filed: **Dec. 27, 2019**

(51) **LOC (13) Cl.** **08-03**

(52) **U.S. Cl.**
USPC **D8/8**

(58) **Field of Classification Search**
USPC D8/8, 9
CPC .. A01D 34/01; A01D 34/416; A01D 34/4161;
A01D 34/84; A01D 34/90; A01D 34/412;
A01D 69/02; A01D 34/824; A01G 3/053;
A01G 3/067; A01G 3/06; A01G 3/062;
A01G 3/08; A01G 3/085; B25F 3/00
See application file for complete search history.

(56) **References Cited**

U.S. PATENT DOCUMENTS

- D335,674 S 5/1993 Hoshino
 - D356,014 S 3/1995 Griffin
 - 6,484,361 B1 11/2002 Schmid et al.
 - D547,143 S 7/2007 Evans et al.
 - 8,098,036 B2 1/2012 Matsunaga et al.
 - D656,371 S 3/2012 Sweeney
 - D668,516 S * 10/2012 Landberg D8/8
- (Continued)

FOREIGN PATENT DOCUMENTS

CN 203185309 9/2013

OTHER PUBLICATIONS

Toro “17 in. String Trimmer—Curved Shaft; Item No. 51958—317000001 & Up” and “18 in. String Trimmer—Straight Shaft; Item No. 51978—317000001 & Up; Item No. 51978A—317000001 & Up,” Operator’s Manual. Form No. 3411-851 Rev. A, The Toro Company, Oct. 31, 2016; 26 pages.

(Continued)

Primary Examiner — Sheryl Lane

Assistant Examiner — Ieisha N Price

(74) *Attorney, Agent, or Firm* — Muetting Raasch Group

(57) **CLAIM**

The ornamental design for a handle for lawn and garden tool, as shown and described.

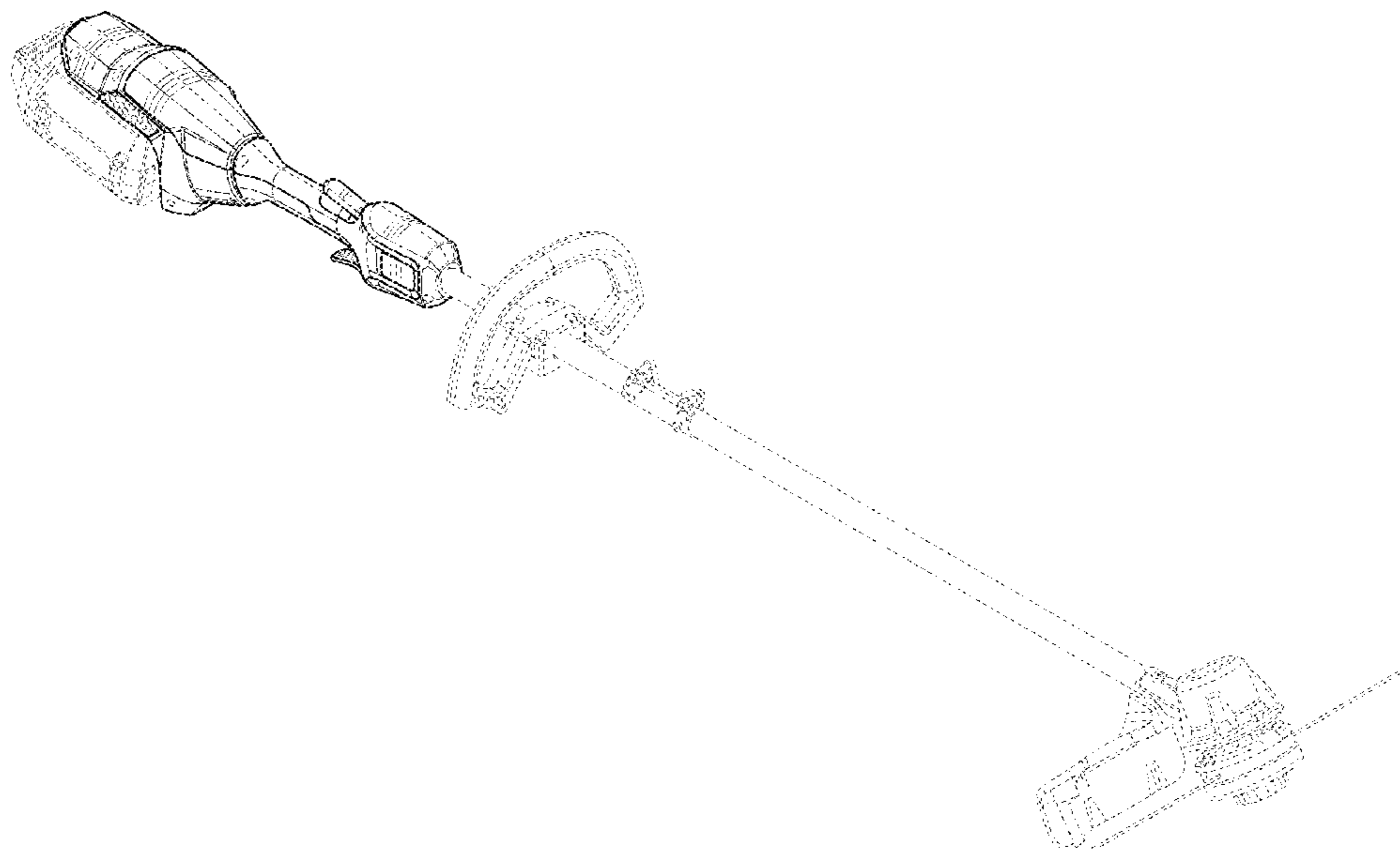
DESCRIPTION

FIG. 1 is a right front perspective view of a handle for lawn and garden tool in accordance with the claimed design; FIG. 2 is a right front perspective view of the design of FIG. 1 isolated from the lawn and garden tool; FIG. 3 is a right side elevation view of the design of FIG. 2; FIG. 4 is a left side elevation view of the design of FIG. 2; FIG. 5 is a top plan view of the design of FIG. 2; FIG. 6 is a bottom plan view of the design of FIG. 2; and, FIG. 7 is a rear elevation view of the design of FIG. 2.

The evenly spaced broken lines showing the battery in FIGS. 1-7 and showing of the battery, pole, loop handle and the lawn and garden tool in FIG. 1 illustrates the environment of the claimed design and form no part thereof. The remaining evenly spaced broken lines in the drawings illustrate portions of the handle for lawn and garden tool and form no part of the claimed design.

The dot-dash-dot broken lines in the drawings define the bounds of the claim and form no part thereof.

1 Claim, 7 Drawing Sheets



(56)

References Cited

U.S. PATENT DOCUMENTS

D668,517 S * 10/2012 Landberg D8/8
 D675,074 S 1/2013 Baxter
 D689,754 S 9/2013 Hayakawa et al.
 8,549,758 B2 10/2013 Ito et al.
 D701,440 S 3/2014 Naksen
 D702,630 S 4/2014 Tinius
 D709,747 S 7/2014 Okouchi et al.
 D716,124 S 10/2014 Kamijyo
 D722,853 S 2/2015 Takahashi et al.
 D728,337 S 5/2015 Henssler et al.
 D731,268 S 6/2015 Aglassinger
 D743,224 S 11/2015 Yashcur
 D753,969 S * 4/2016 Jiang D8/8
 9,314,914 B2 4/2016 Suda et al.
 D755,032 S 5/2016 Martinez et al.
 D758,150 S 6/2016 Tinius
 D758,151 S 6/2016 Tinius
 D767,960 S 10/2016 Haneishi
 D768,452 S 10/2016 Padget et al.
 9,472,992 B2 10/2016 Shaffer
 D774,858 S 12/2016 Stucki et al.
 D774,859 S 12/2016 Stucki et al.
 D776,501 S 1/2017 Tinius
 D776,995 S * 1/2017 Schoch D8/8
 D787,285 S 5/2017 Schoch
 D794,407 S 8/2017 Markwald et al.
 D798,679 S 10/2017 Tinius
 D813,621 S * 3/2018 Timson D8/8
 D828,125 S 9/2018 Dretzka et al.
 D832,669 S 11/2018 Dretzka et al.
 D854,387 S 7/2019 Dretzka et al.
 D859,950 S 9/2019 Dretzka et al.
 D867,832 S * 11/2019 Arnell D8/8
 D877,779 S 3/2020 Dretzka et al.
 D919,387 S * 5/2021 Tinius D8/8
 2011/0241457 A1 10/2011 Mueller et al.
 2012/0227270 A1 9/2012 Ito et al.
 2014/0208597 A1 7/2014 Zhou et al.
 2014/0246214 A1 * 9/2014 Racov A01D 34/902
 173/217
 2014/0259692 A1 * 9/2014 Racov B25F 5/008
 30/277.4
 2016/0088792 A1 * 3/2016 Yamaoka A01D 34/733
 30/276
 2016/0336557 A1 11/2016 Miller et al.
 2016/0345492 A1 * 12/2016 Miller A01D 69/02
 2017/0066119 A1 * 3/2017 Fu B25F 5/008
 2017/0222582 A1 * 8/2017 Suzuki H02P 6/182
 2017/0339837 A1 * 11/2017 Zhang A01G 3/025
 2018/0177135 A1 * 6/2018 Fu B25F 5/001
 2019/0358801 A1 * 11/2019 McCue B25F 3/00

2020/0236845 A1 * 7/2020 Wang A01D 75/285
 2020/0245554 A1 * 8/2020 Wei A01D 34/416
 2021/0122023 A1 * 4/2021 Yao H01R 13/6456
 2021/0127570 A1 * 5/2021 Palermo A01D 34/68
 2021/0144914 A1 * 5/2021 Peng A01D 34/416
 2021/0146522 A1 * 5/2021 Luecke H01R 13/73

OTHER PUBLICATIONS

Toro “17 in. String Trimmer—Curved Shaft; Item No. 51954—31000001 & Up” and “18 in. String Trimmer—Straight Shaft; Item No. 51974—31000001 & Up,” Operator’s Manual. Form No. 3365-102 Rev. A, The Toro Company, Jan. 20, 2010; 28 pages.
 Toro 13in Cordless Trimmer, Model No. 51488—Serial No. 314000001 and Up and Model 51488T—Serial No. 314000001 and Up, Operator’s Manual. Form No. 3379-441 Rev G, The Toro Company, Copyright 2014; 16 pages.
 Toro “12in Cordless Trimmer, Model No. 51487A—Serial No. 315000001 and Up, Model No. 51487AT—Serial No. 315000001 and Up,” Operator’s Manual. Form No. 3388-261 Rev B, The Toro Company, Copyright 2014; 56 pages.
 Ryobi “Operator’s Manual, 40 Volt String Trimmer, RY40204,” Rev:01, Techtronic Industries Power Equipment, 2016; 38 pages.
 Greenworks “40V Brushless String Trimmer 2100202,” Rev: 00, Greenworks, 2014; 22 pages.
 Milwaukee “Operator’s Manual, M18 Fuel String Trimmer.” Cat. No. 2725-20. Milwaukee Tool, 2016; 20 pages.
 Ryobi 40-Volt Cordless String Trimmer, posted at homedepot.com, no posting given, [online], [site visited Apr. 10, 2018]. Available from Internet, URL: <https://www.homedepot.com/p/Ryobi-40-Volt-Lithium-Ion-Cordless-Attachment-Capable-String-Trimmer-2-6-Ah-Battery-and-Charger-Included-RY-40220/204589659> (Year: 2018).
 Shop Kobalt 80-volt Brushless Cordless String Trimmer, posted at lowes.com, posting date not given, [online], [site visited Apr. 10, 2018]. Available from Internet, URL: <https://www.lowes.com/pd/Kobalt-80-volt-Max-16-in-Straight-Brushless-Cordless-String-Trimmer-Battery-Not-Included/50430332> (Year: 2018).
 Toro PowerPlex 51481 40V Cordless String Trimmer Edger, posted at amazon.com, posting date Jul. 9, 2017, [online], [site visited Apr. 10, 2018]. Available from Internet, URL: <https://www.amazon.com/Toro-PowerPlex-51481-Cordless-included/dp/B06WV9XWXQ/> (Year: 2017).
 Toro PowerPlex 51482 Brushless Cordless String Trimmer, posted at amazon.com, posting date Jul. 6, 2017, [online], [site visited Apr. 10, 2018]. Available from Internet, URL: <https://www.amazon.com/Toro-PowerPlex-51482-Brushless-Cordless/dp/B06X8YWZ5H/> (Year: 2017).
 DeWalt Instruction Manual DCST922,20V Max* String Trimmer, Sep. 2019.

* cited by examiner

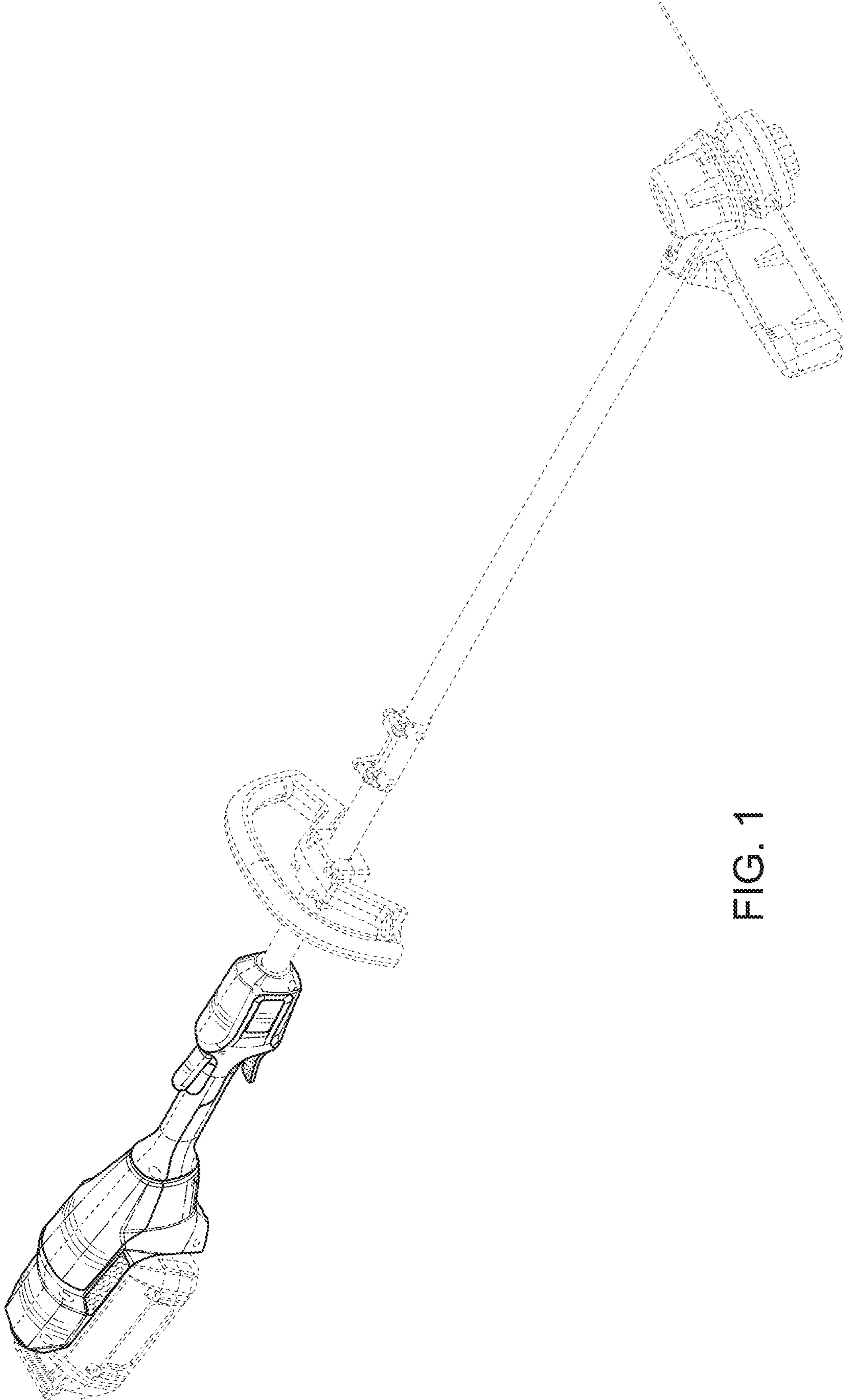


FIG. 1

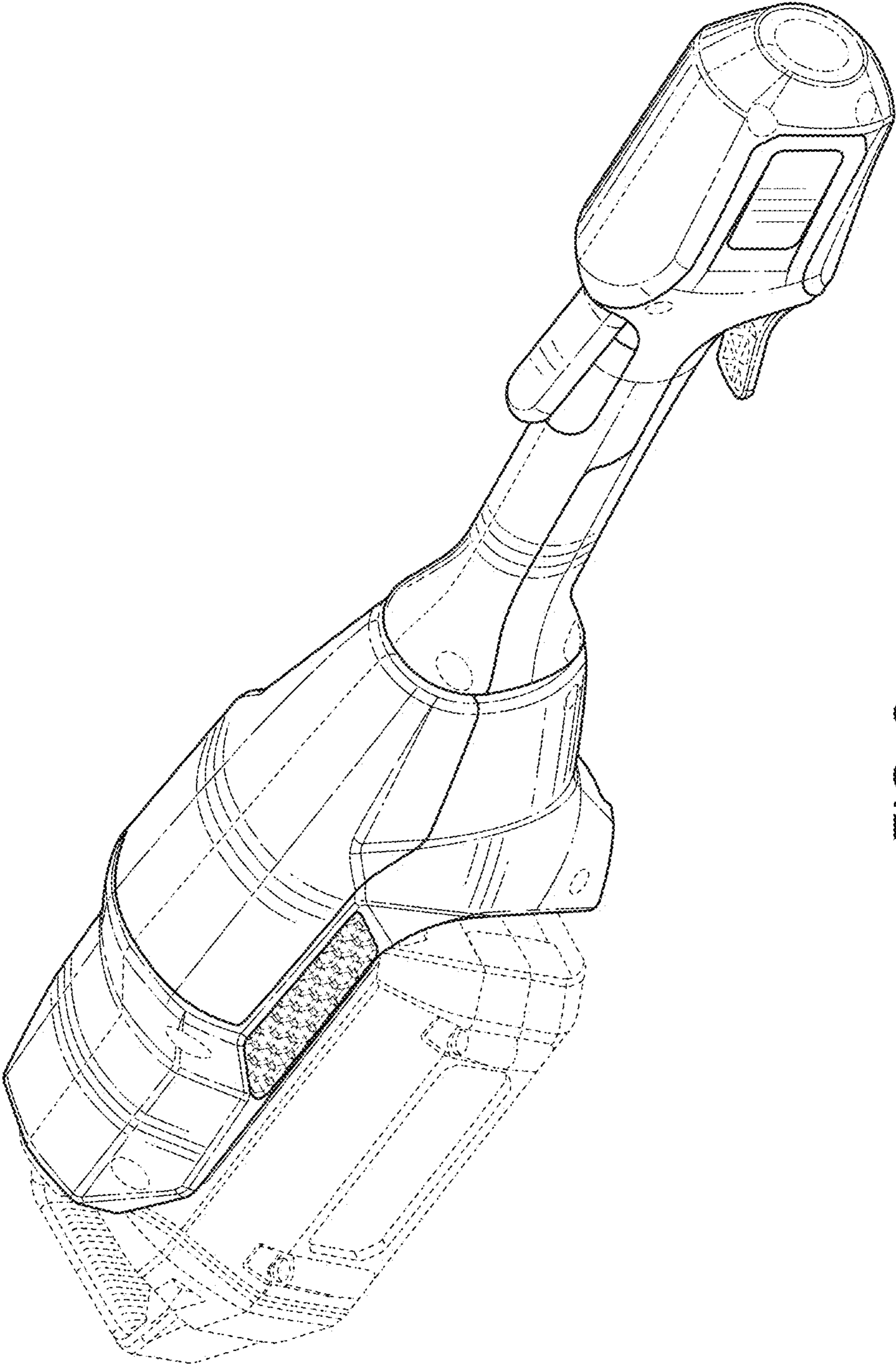


FIG. 2

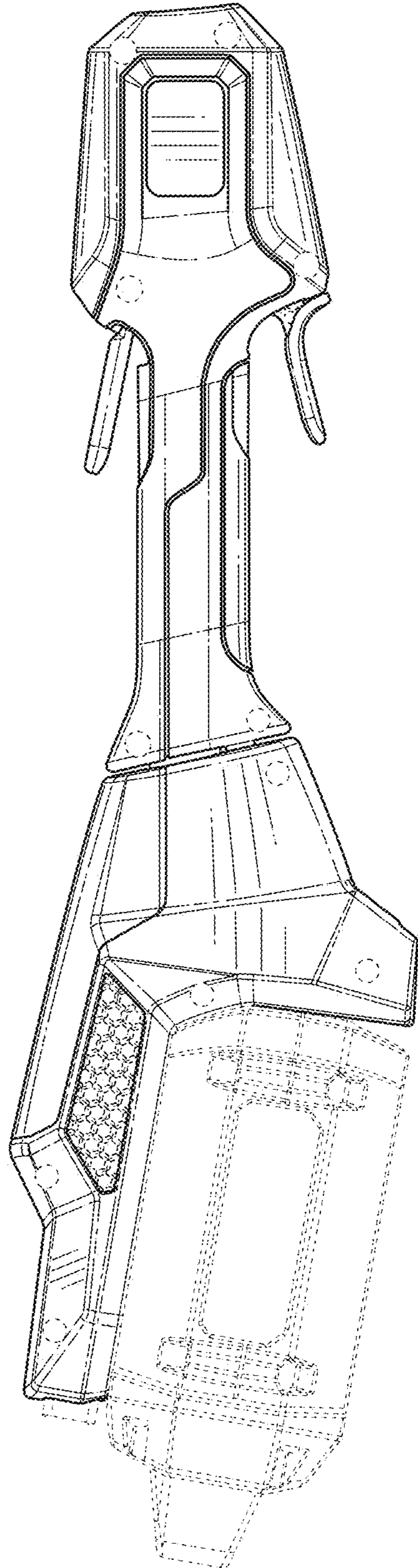


FIG. 3

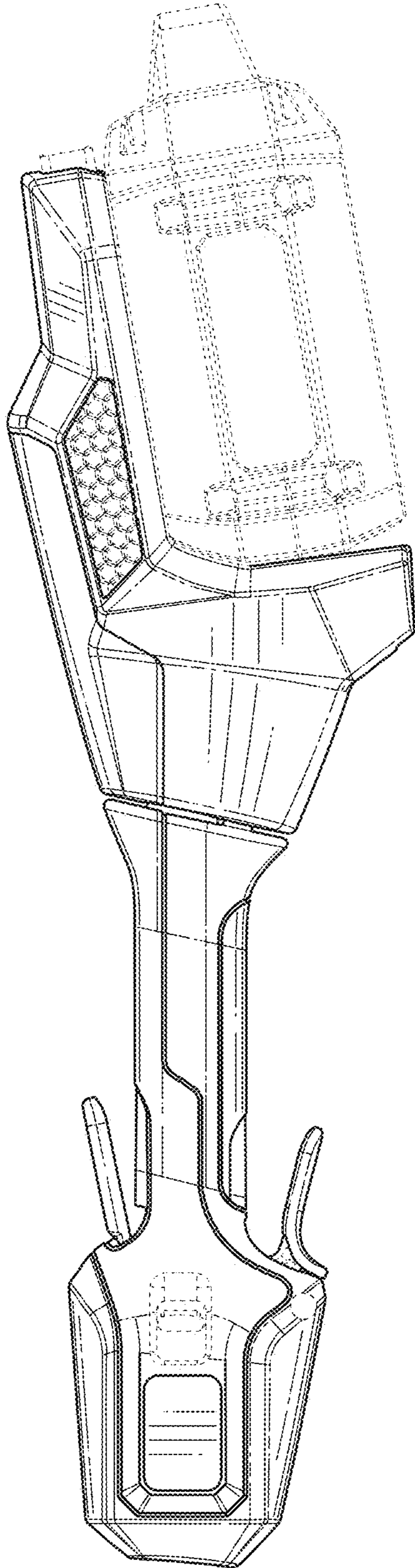


FIG. 4

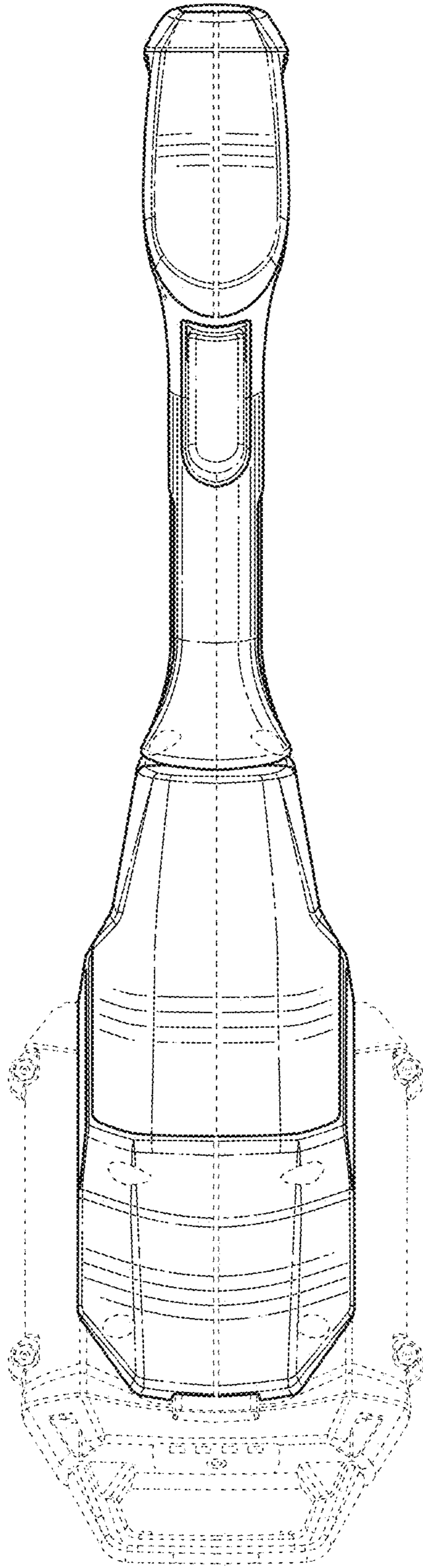


FIG. 5

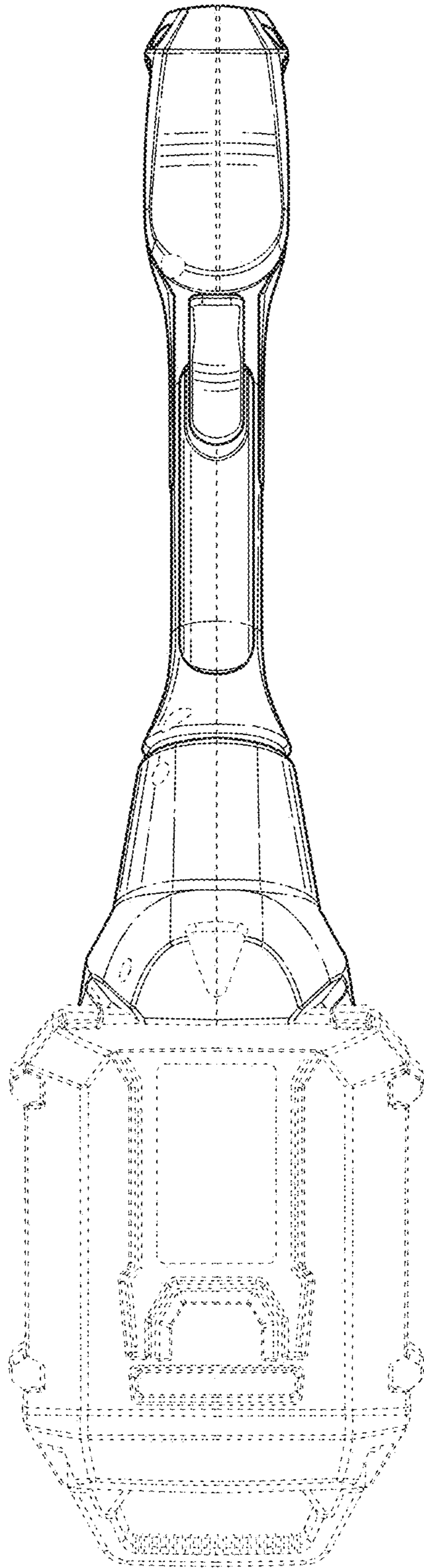


FIG. 6

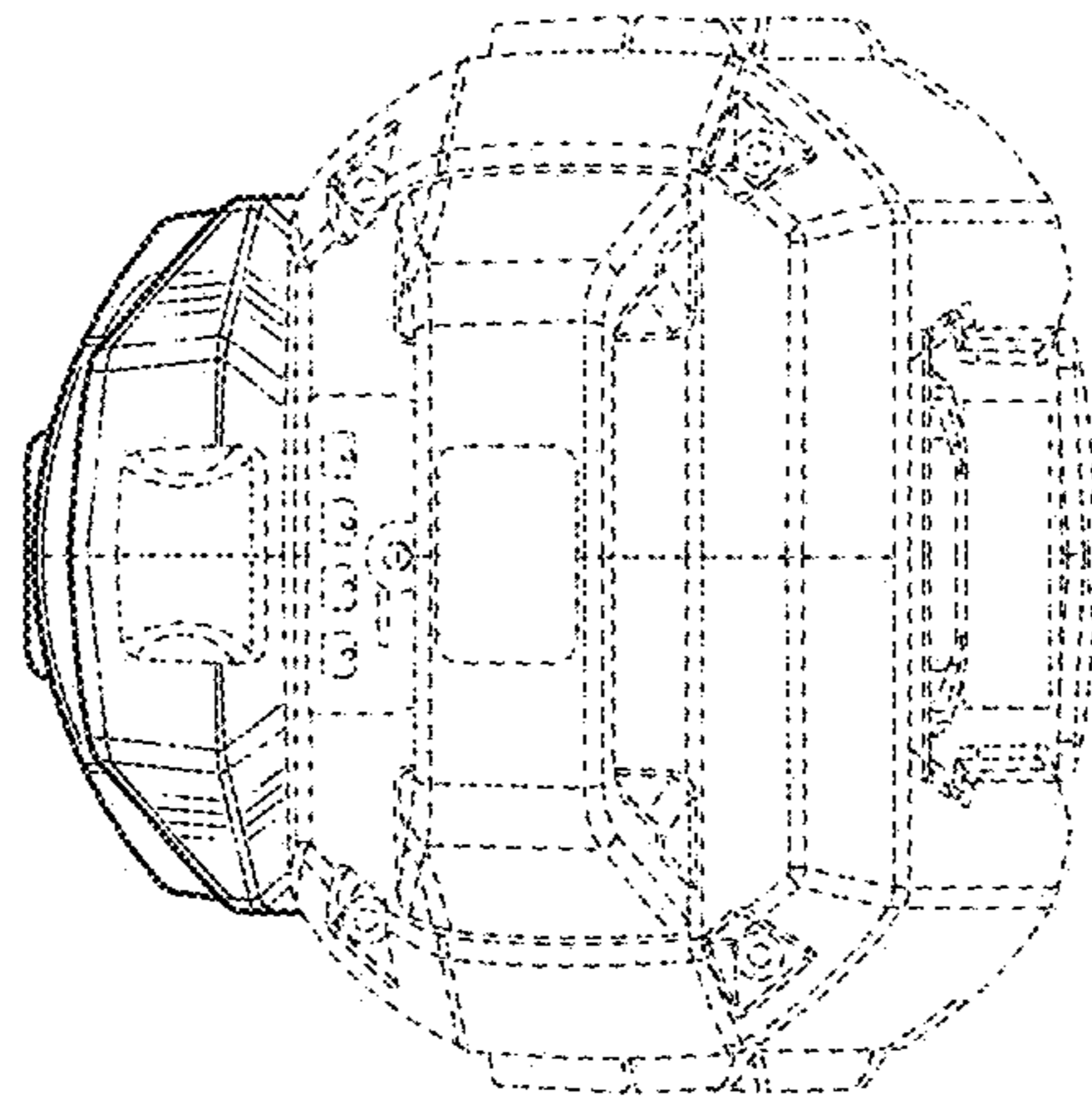


FIG. 7

UNITED STATES PATENT AND TRADEMARK OFFICE
CERTIFICATE OF CORRECTION

PATENT NO. : D960,670 S
APPLICATION NO. : 29/718709
DATED : August 16, 2022
INVENTOR(S) : Dretzka et al.


Page 1 of 1

It is certified that error appears in the above-identified patent and that said Letters Patent is hereby corrected as shown below:

On the Title Page

Item (72), 'Jianlong Chen, Jiangsu (CN)' should read -Jianlong Chen, Changzhou (CN)-

Item (72), 'Xiaofei Miao, Jiangsu (CN)' should read -Xiaofei Miao, Changzhou (CN)-

Signed and Sealed this
Eleventh Day of October, 2022

Katherine Kelly Vidal
Director of the United States Patent and Trademark Office