



(12) **United States Design Patent** (10) **Patent No.:** **US D960,668 S**
Seo (45) **Date of Patent:** **** Aug. 16, 2022**

(54) **FRAME FOR MAKING EDIBLE ICE**
 (71) Applicant: **INTYCO Co., Ltd.**, Uiwang-si (KR)
 (72) Inventor: **Sang Jun Seo**, Seongnam-si (KR)
 (73) Assignee: **INTYCO Co., Ltd.**, Uiwang-si (KR)
 (**) Term: **15 Years**
 (21) Appl. No.: **29/797,721**
 (22) Filed: **Jul. 2, 2021**

(30) **Foreign Application Priority Data**
 Jan. 22, 2021 (KR) 30-2021-0003584
 (51) **LOC (13) Cl.** **07-04**
 (52) **U.S. Cl.**
 USPC **D7/672**; D15/90
 (58) **Field of Classification Search**
 USPC D7/672-677, 357, 359, 409; D15/90;
 D9/757
 CPC A47J 43/20; A23P 30/10; A23G 9/221;
 A23G 9/083
 See application file for complete search history.

(56) **References Cited**
 U.S. PATENT DOCUMENTS
 D346,552 S * 5/1994 Krupa D9/757
 D368,414 S * 4/1996 VanHalteren D7/675
 D369,948 S * 5/1996 Tobiasz D7/674
 D604,100 S * 11/2009 Mishan D7/409
 D673,432 S * 1/2013 Augis D7/672
 D687,681 S * 8/2013 Barber D7/674
 D689,747 S * 9/2013 Zorovich D7/672
 D781,649 S * 3/2017 Fastabend D7/412
 D782,334 S * 3/2017 Bishop D9/757
 D807,932 S * 1/2018 Frank D7/672
 D847,222 S * 4/2019 Todirca D15/90
 D852,237 S * 6/2019 Helton D15/90

D899,470 S * 10/2020 Liu D15/90
 D912,107 S * 3/2021 Brown D15/90
 D914,067 S * 3/2021 Wu D15/90
 D915,475 S * 4/2021 Wu D15/90
 D918,970 S * 5/2021 Zhai D15/90
 D923,067 S * 6/2021 Zhao D15/90
 D931,914 S * 9/2021 Zhai D15/90
 D938,238 S * 12/2021 Stahl D7/672
 D940,211 S * 1/2022 Sullivan D15/90
 D941,100 S * 1/2022 Howard D7/672
 2020/0072522 A1 * 3/2020 Murphy F25C 1/18
 2021/0080166 A1 * 3/2021 Connor F25C 1/22
 2021/0345825 A1 * 11/2021 Birkenstock A23P 30/10
 2021/0381738 A1 * 12/2021 Cran F25C 1/04
 2021/0396445 A1 * 12/2021 Lee F25C 1/04

* cited by examiner

Primary Examiner — Brett Miller
 (74) *Attorney, Agent, or Firm* — Revolution IP, PLLC

(57) **CLAIM**

The ornamental design for a frame for making edible ice, as shown and described.

DESCRIPTION

FIG. 1 is a top, front, left perspective view of a frame for making edible ice showing the claimed design;
 FIG. 2 is a front view thereof;
 FIG. 3 is a rear view thereof;
 FIG. 4 is a left side view thereof;
 FIG. 5 is a right side view thereof;
 FIG. 6 is a top view thereof; and
 FIG. 7 is a bottom view thereof;
 FIG. 8 is a top, rear, right perspective view thereof;
 FIG. 9 is a bottom, front, left perspective view thereof; and,
 FIG. 10 is another perspective view thereof shown in an open position.
 The broken lines in FIG. 10 are for illustrative purposes only and form no part of the claimed design.

1 Claim, 8 Drawing Sheets

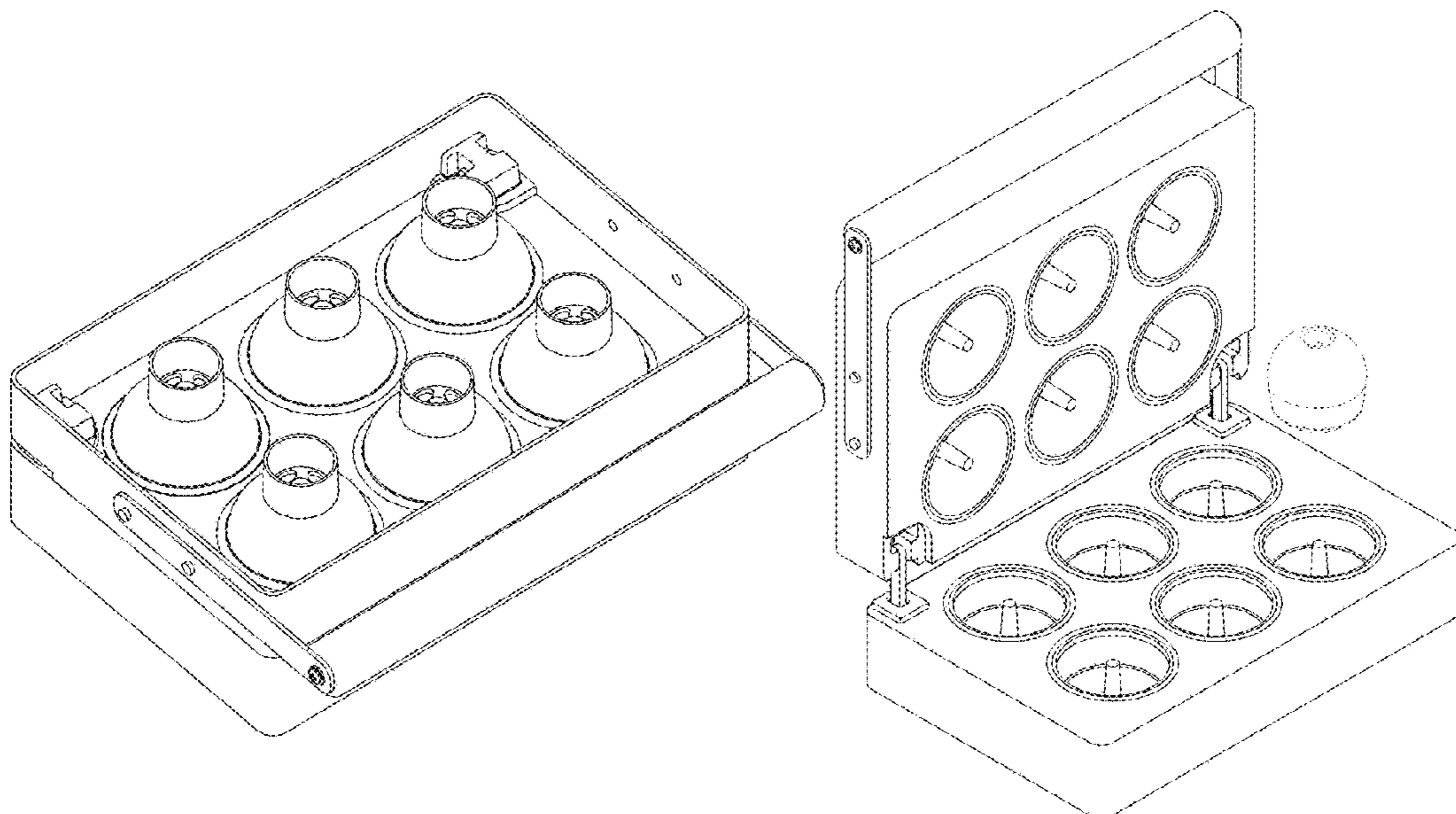


FIG. 1

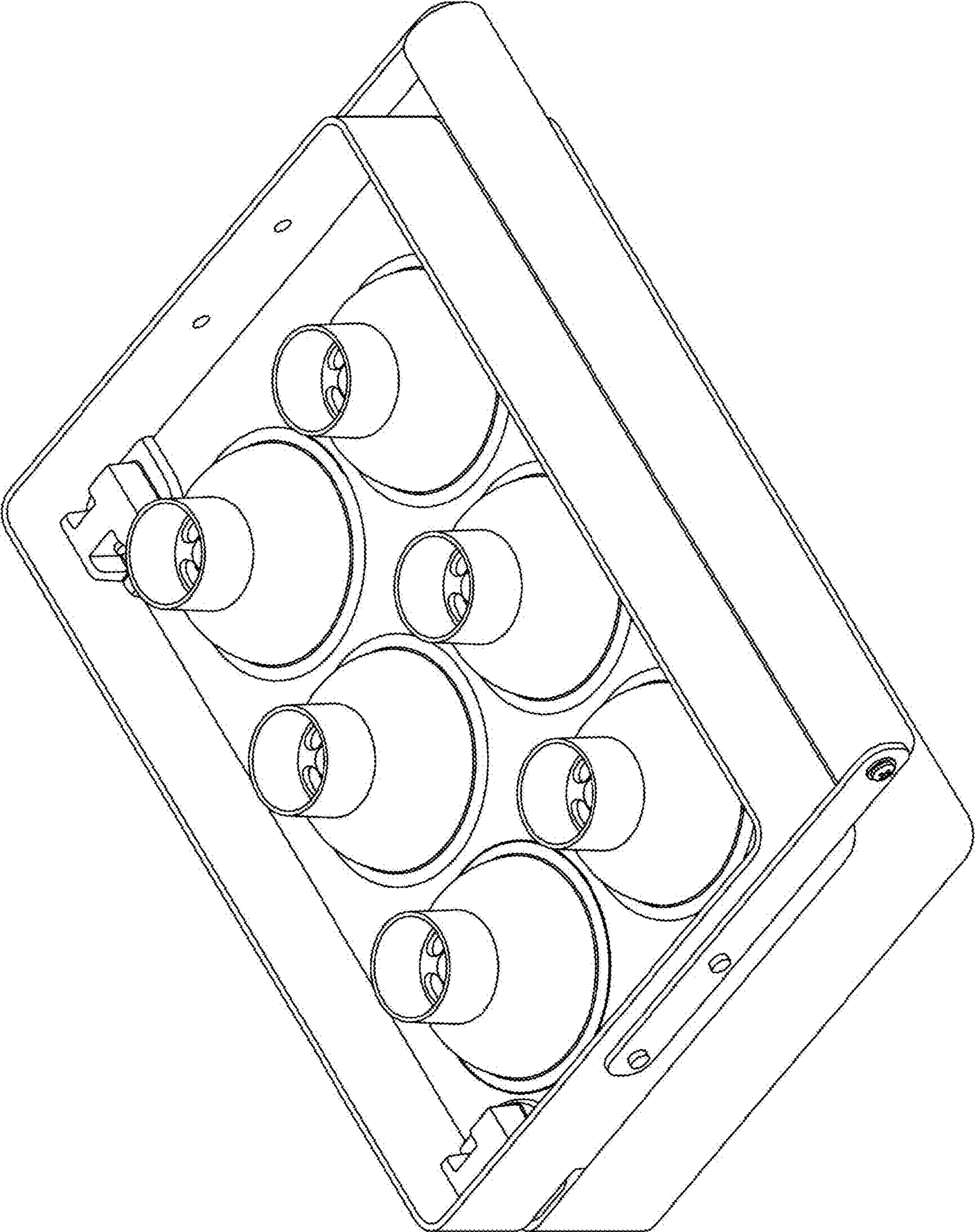


FIG. 2

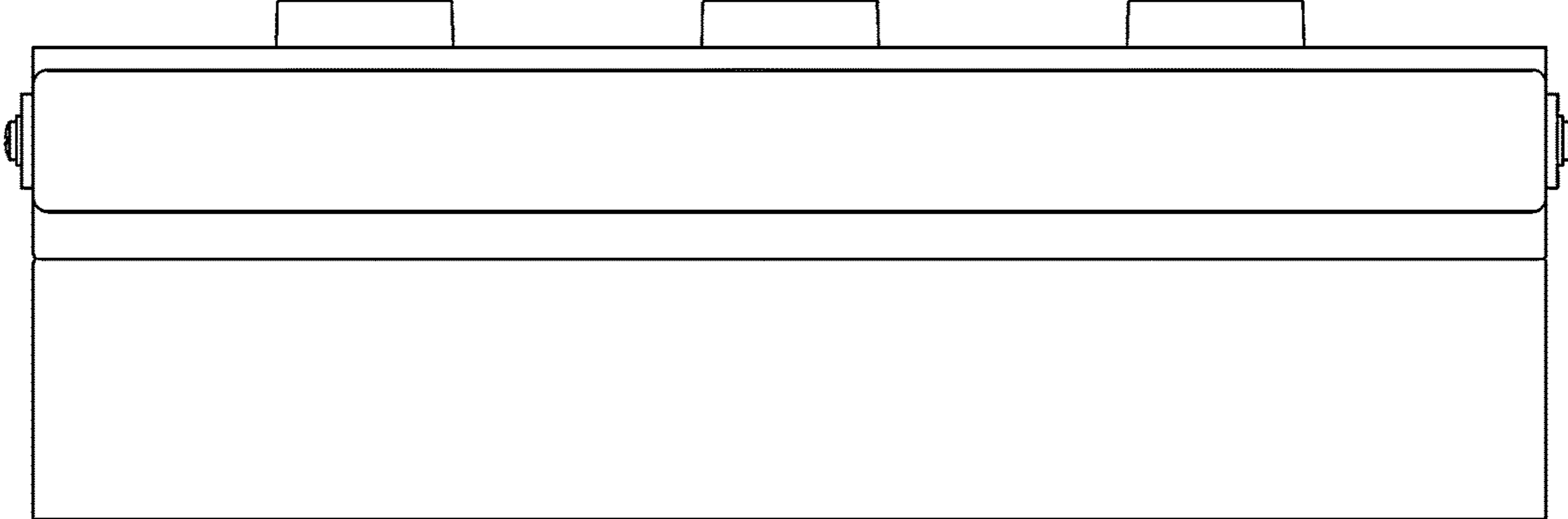


FIG. 3

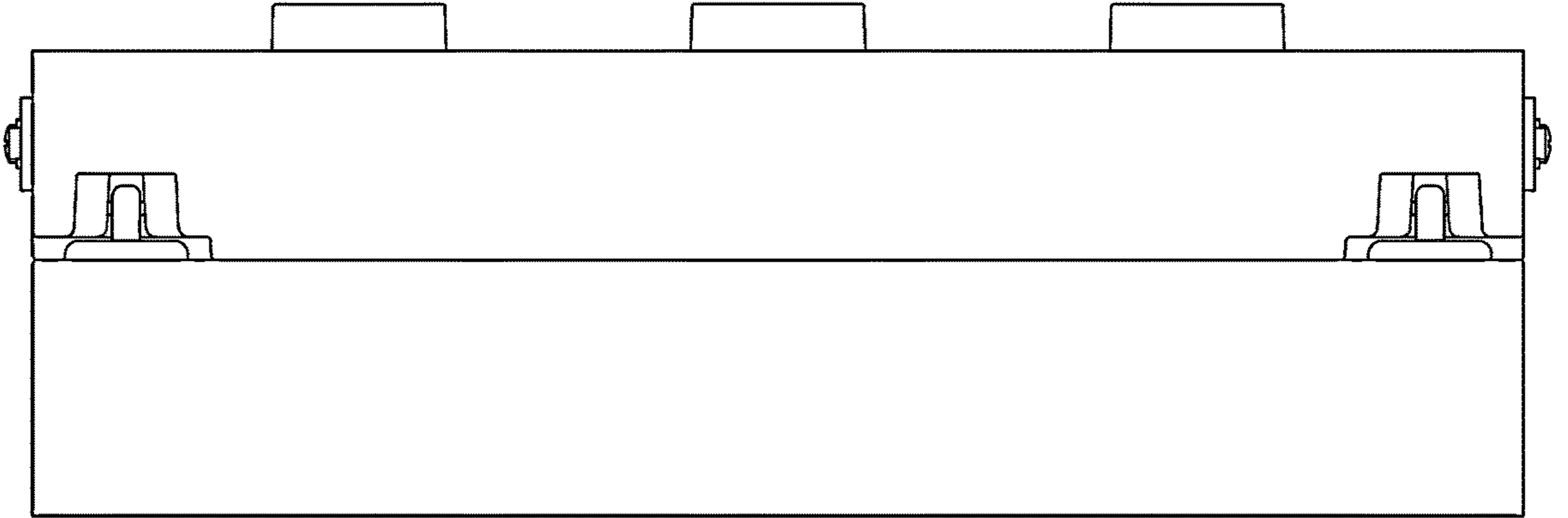


FIG. 4

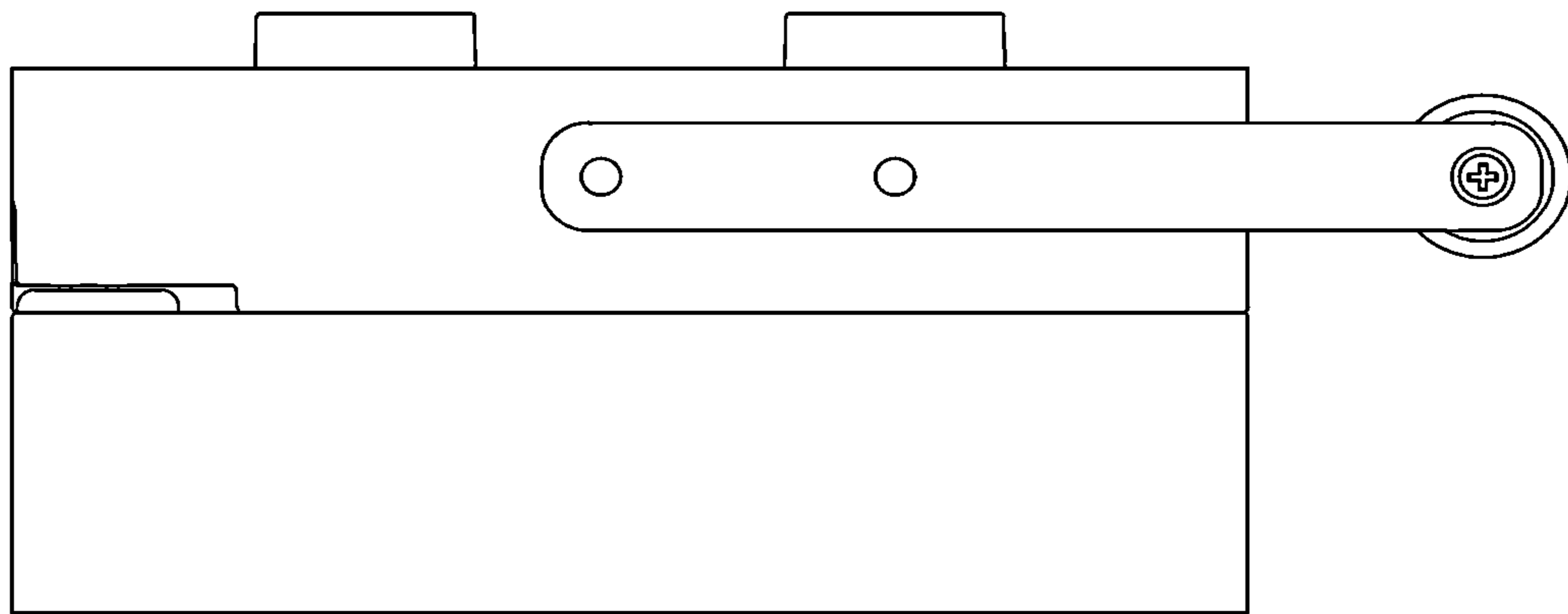


FIG. 5

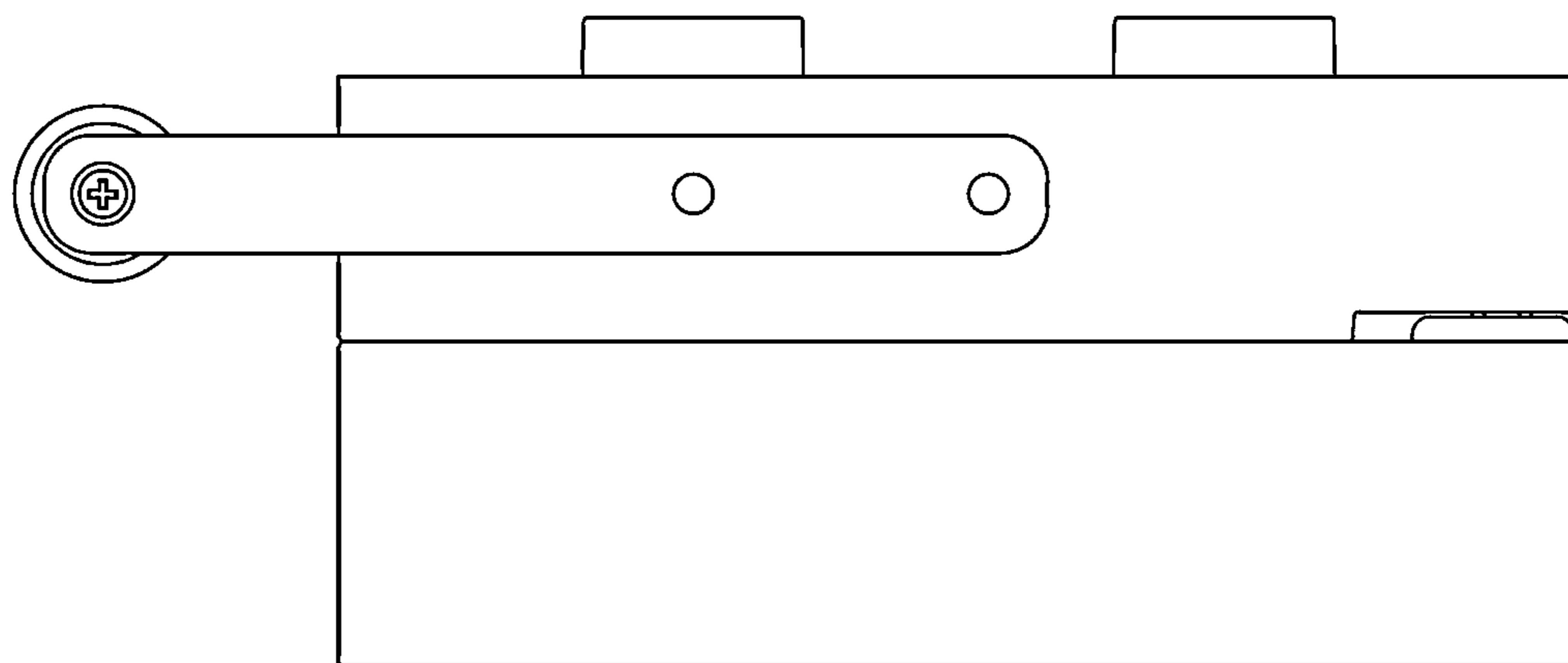


FIG. 6

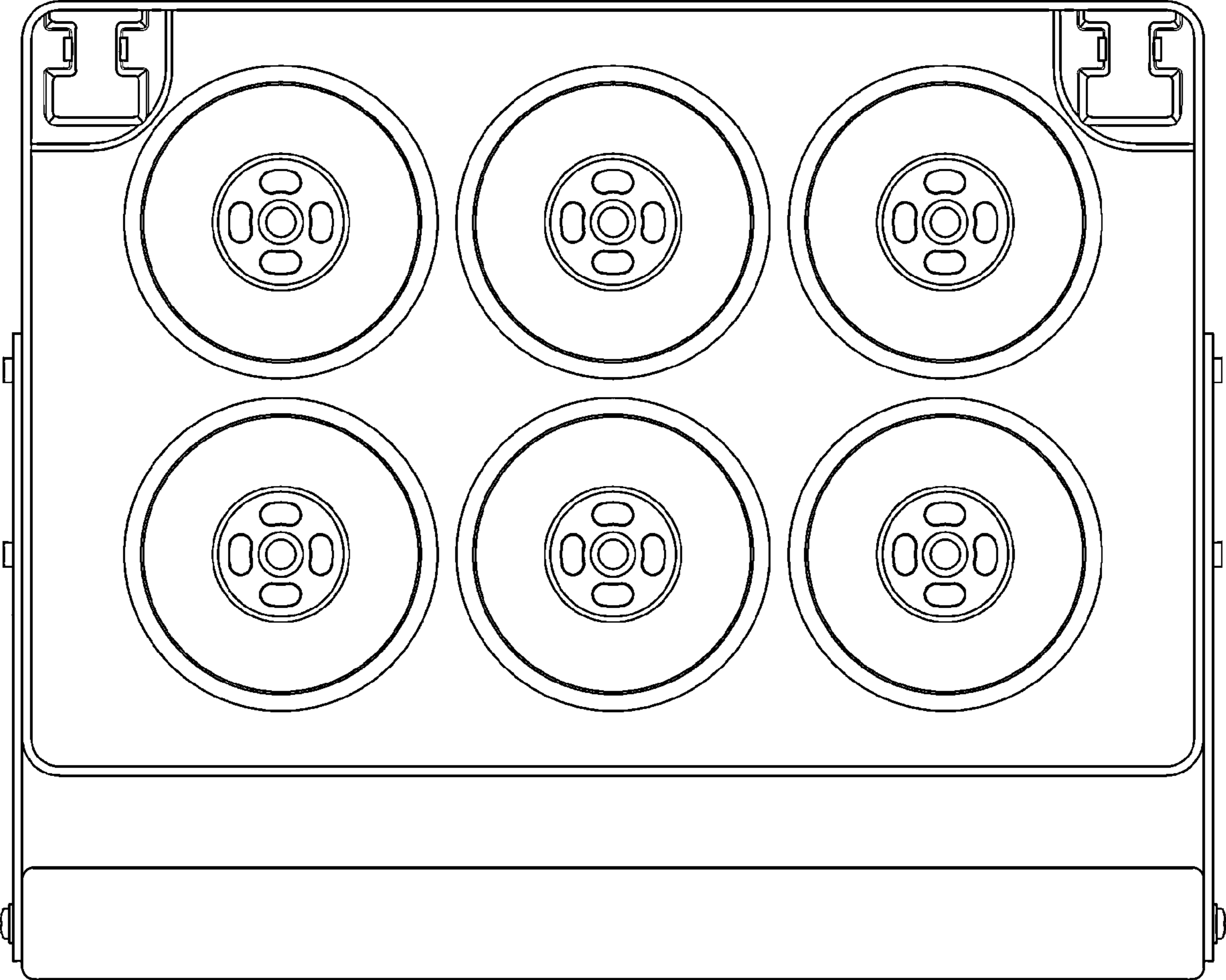


FIG. 7

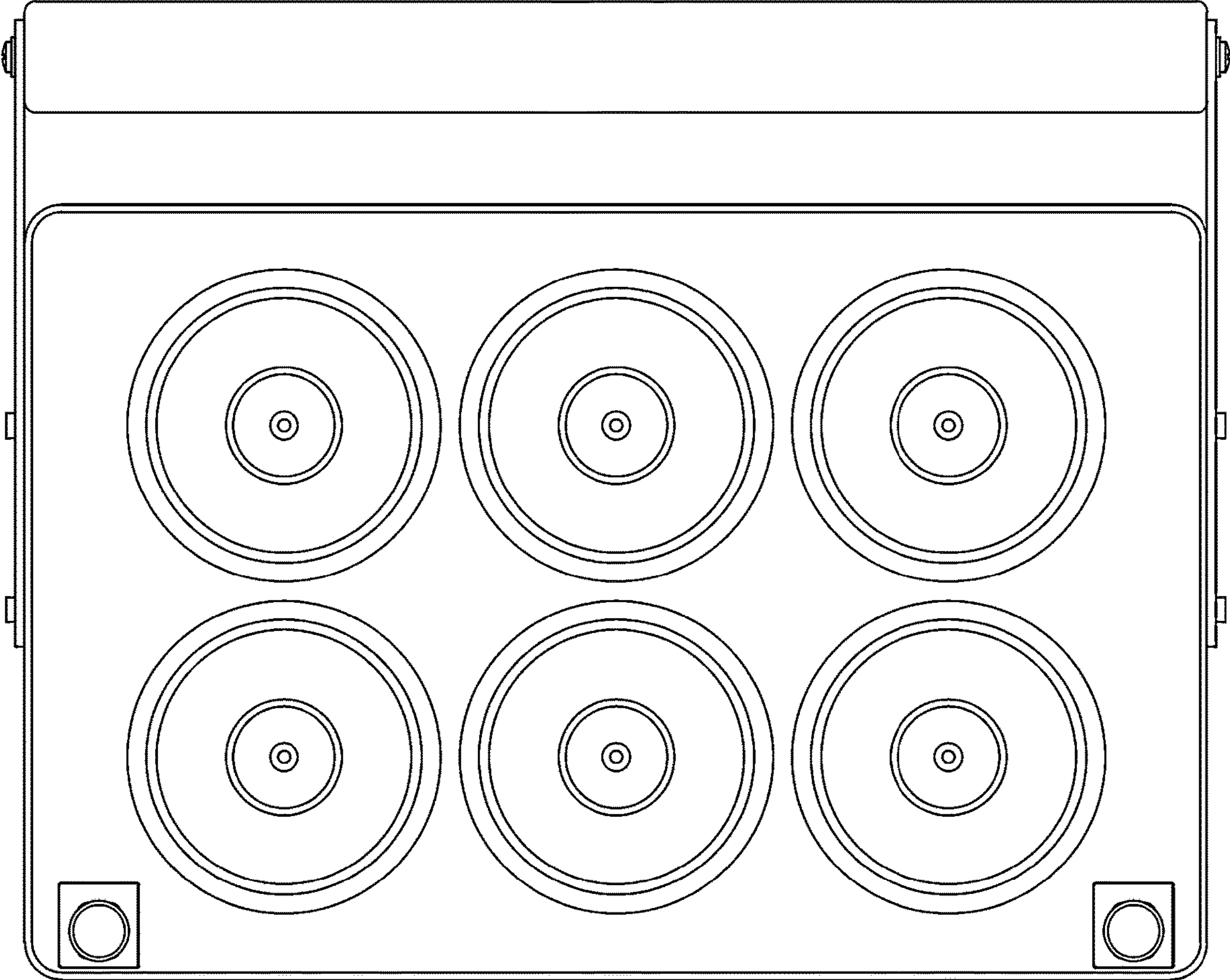


FIG. 8

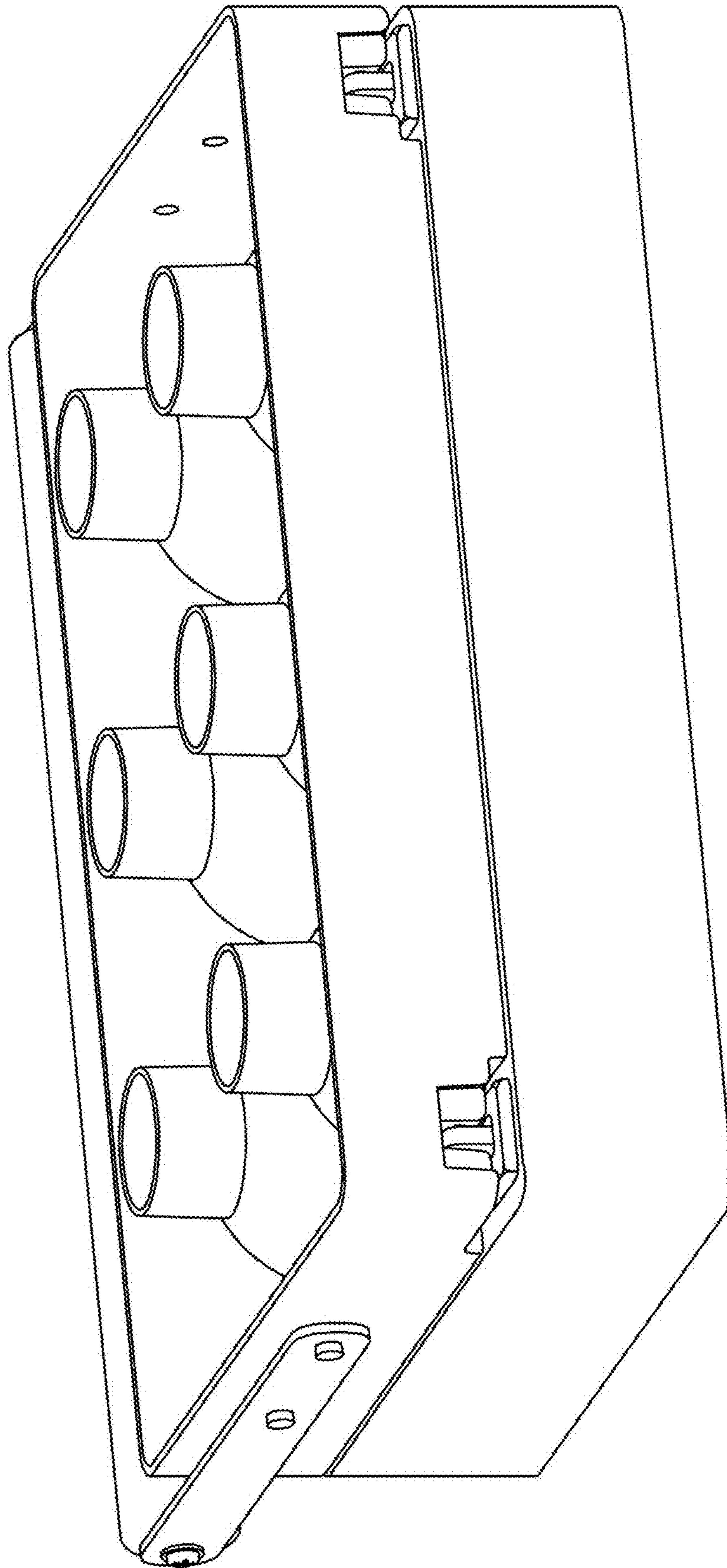


FIG. 9

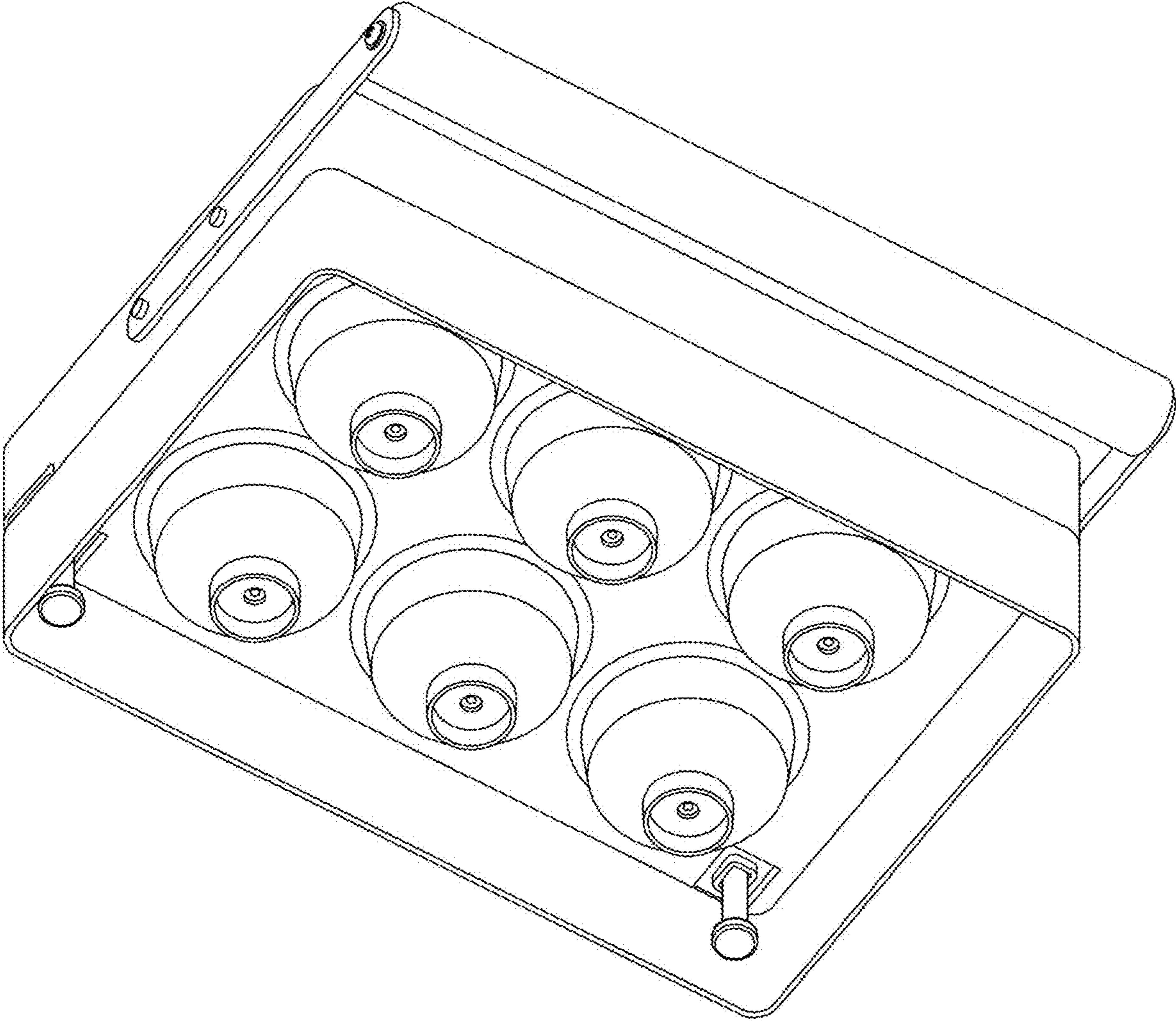


FIG. 10

