

US00D960666S

(12) **United States Design Patent**
Gebhardt

(10) **Patent No.:** **US D960,666 S**

(45) **Date of Patent:** **** Aug. 16, 2022**

(54) **FLATWARE HANDLE**

(71) Applicant: **ONEIDA CONSUMER, LLC,**
Columbus, OH (US)

(72) Inventor: **Paul Gebhardt,** Columbus, OH (US)

(**) Term: **15 Years**

(21) Appl. No.: **29/710,741**

(22) Filed: **Oct. 25, 2019**

(51) **LOC (13) Cl.** **07-03**

(52) **U.S. Cl.**
USPC **D7/664; D7/653**

(58) **Field of Classification Search**
USPC D7/642-645, 653; 30/115, 129, 134,
30/136, 137, 142, 147, 148, 149, 150
CPC A47G 21/02; A47G 21/06; A47G 21/103;
B26B 11/00; B26B 29/025
See application file for complete search history.

(56) **References Cited**

U.S. PATENT DOCUMENTS

D313,151 S *	12/1990	Bouilhet	D7/653
D499,940 S *	12/2004	Shane-Schuldt	D7/662
D544,775 S *	6/2007	Cybulski	D8/300
D554,444 S *	11/2007	Ito	D7/653
D578,357 S *	10/2008	Shane-Schuldt	D7/653
D613,115 S *	4/2010	Holcomb	D7/401.2
D613,129 S *	4/2010	Holcomb	D7/653
D617,154 S *	6/2010	Gartz	D7/653
D618,055 S *	6/2010	Richmond	D7/401.2
D625,550 S *	10/2010	Holcomb	D7/401.2
D625,556 S *	10/2010	Ito	D7/401.2
D626,376 S *	11/2010	Holcomb	D7/401.2
D629,651 S *	12/2010	Shane-Schuldt	D7/401.2
D647,758 S *	11/2011	Sullivan	D7/401.2
D656,781 S *	4/2012	Holcomb	D7/401.2
D657,190 S *	4/2012	Shane-Schuldt	D7/401.2
D662,772 S *	7/2012	Holcomb	D7/401.2
D741,666 S *	10/2015	Kemker	D7/653
D778,698 S *	2/2017	Huang	D8/25
D832,043 S *	10/2018	Gebhardt	D7/401.2

D847,917 S * 5/2019 Cullen D21/672
D849,471 S * 5/2019 Estabrooks D7/401.2
D850,851 S * 6/2019 Estabrooks D7/401.2
(Continued)

OTHER PUBLICATIONS

“Mikasa Sympatico 65-Piece 18_10 Stainless Steel Flatware Set”
available May 30, 2014, [online], [site visited Feb. 9, 2021].
Retrieved from Internet, URL:https://www.amazon.com/Mikasa-
5132405-Sympatico-65-Piece-Stainless/dp/B00IITS480 (Year: 2014).*
(Continued)

Primary Examiner — W. A. Teddy Falloway
Assistant Examiner — Katrina N Gonzalez
(74) *Attorney, Agent, or Firm* — Norvell IP, LLC

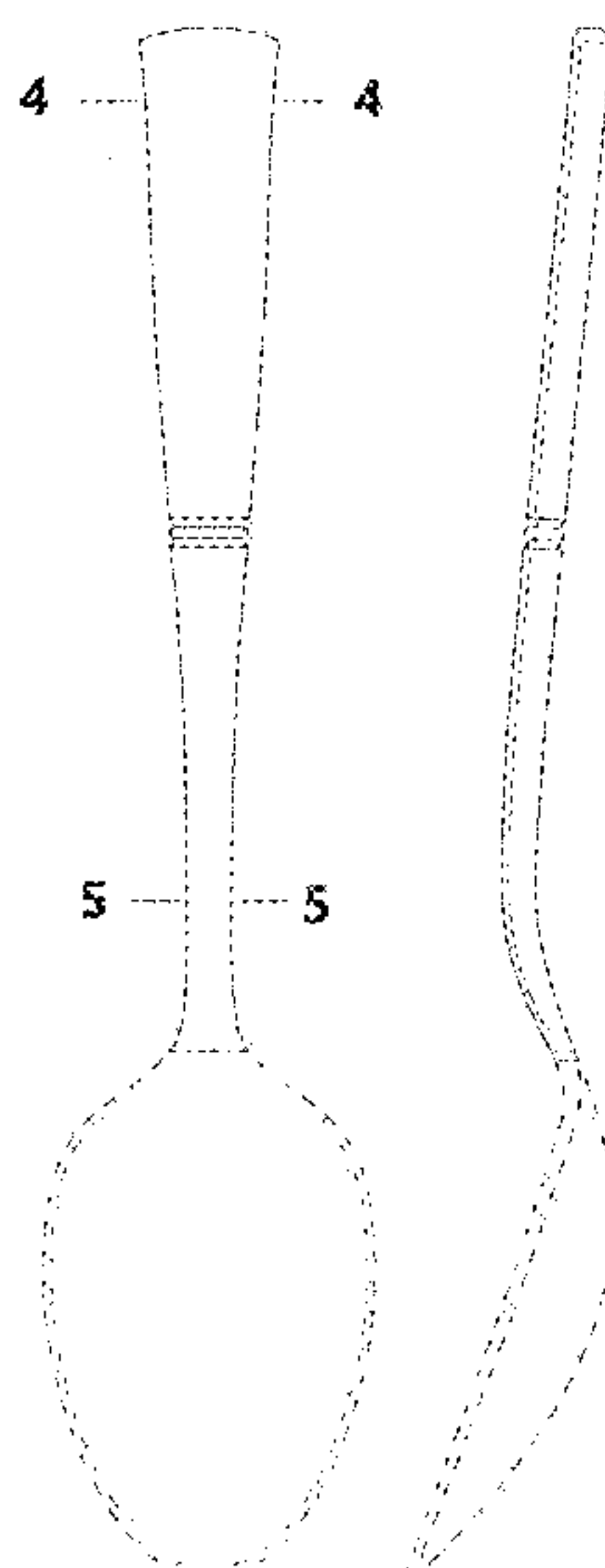
(57) **CLAIM**

The ornamental design for a flatware handle, as shown and described.

DESCRIPTION

FIG. 1 is a front view of a flatware handle showing our new design.
FIG. 2 is a right side view of the flatware handle illustrated in FIG. 1, where the left side view is a mirror image thereof.
FIG. 3 is a rear view of the flatware handle illustrated in FIG. 1.
FIG. 4 is a cross-sectional front view taken along line 4-4 illustrated in FIG. 1; and,
FIG. 5 is a cross-sectional front view taken along line 5-5 illustrated in FIG. 1.
The broken lines illustrate environmental structure that form no part of the claimed design.
The dash-dot-dash broken lines represent the bounds of the claim and form no part of the claimed design.

1 Claim, 2 Drawing Sheets



(56)

References Cited

U.S. PATENT DOCUMENTS

D897,768 S * 10/2020 Shane-Schuldt D7/401.2
D898,512 S * 10/2020 Gebhardt D7/401.2
D898,513 S * 10/2020 Shane-Schuldt D7/401.2

OTHER PUBLICATIONS

“Custom J Carter Brown Pattern by Tiffany & Co . . . ” available 1885, [online], [site visited Feb. 9, 2021]. Retrieved from Internet, URL:https://www.1stdibs.com/furniture/dining-entertaining/sterling-silver/custom-j-carter-brown-pattern-tiffany-co-sterling-silver-flatware-set/id-f_20235222/ (Year: 1885).*

“Easton Teaspoons, Set of 4” available Oct. 29, 2015, [online], [site visited Feb. 13, 2021]. Retrieved from Internet, URL:<https://web.archive.org/web/20151029091045/https://www.oneida.com/easton-teaspoons-set-of-4.html> (Year: 2015).*

“Easton Fine Flatware Tall Drink Spoon” available Feb. 13, 2021, [online], [site visited Feb. 13, 2021]. Retrieved from Internet, URL: <https://www.oneida.com/oneida-easton-fine-flatware-tall-drink-spoon.html> (Year: 2021).*

* cited by examiner

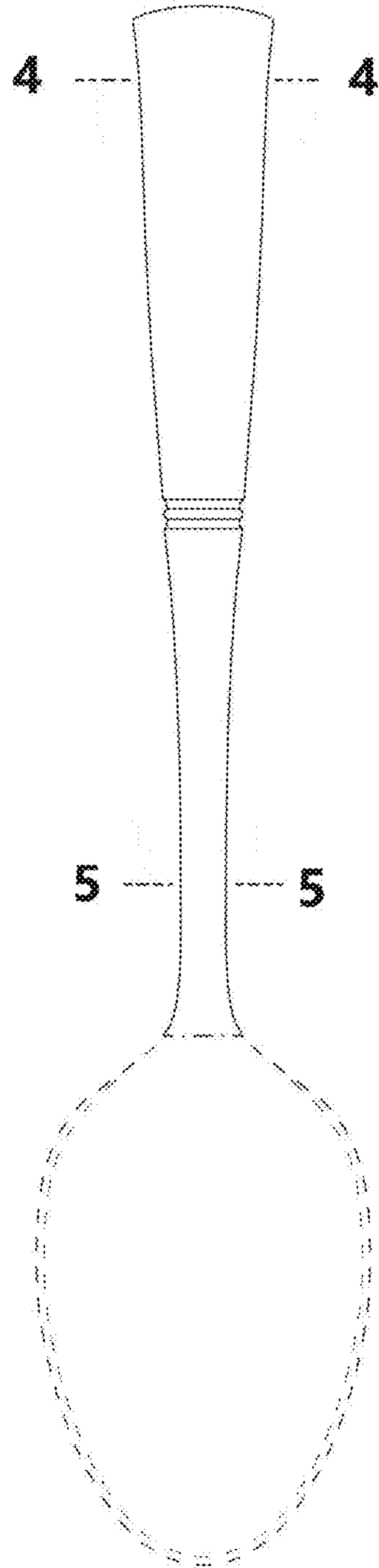


FIG. 1

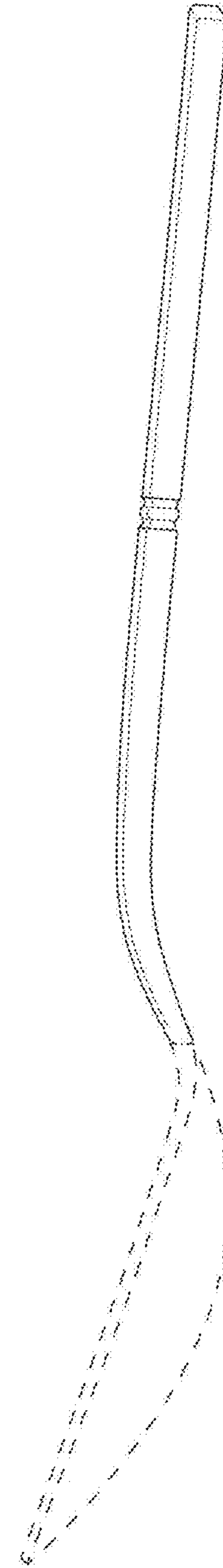


FIG. 2

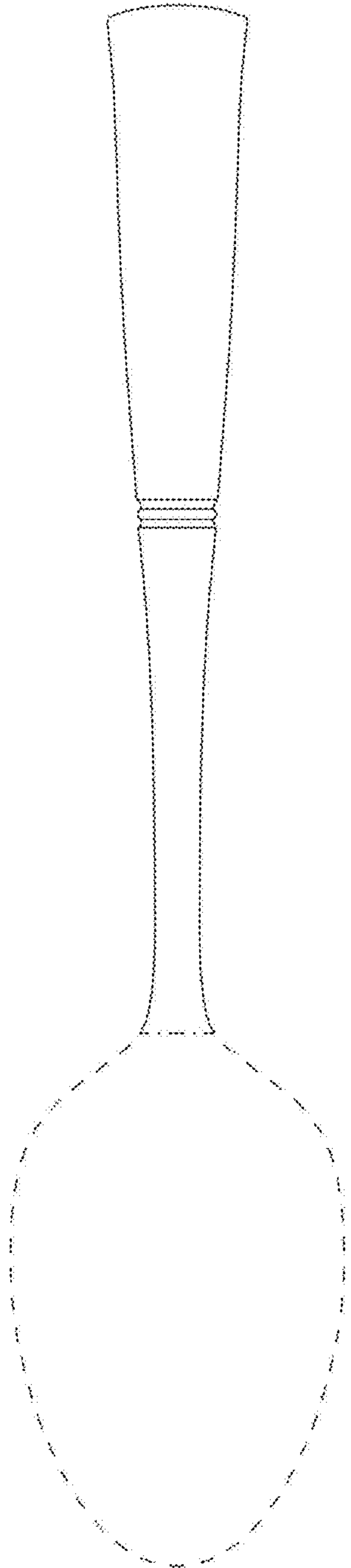


FIG. 3

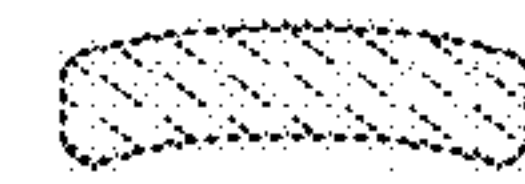


FIG. 4



FIG. 5