



US00D960664S

(12) **United States Design Patent** (10) **Patent No.:** **US D960,664 S**  
**Yoshikawa** (45) **Date of Patent:** **\*\* \*Aug. 16, 2022**

(54) **STORAGE CONTAINER FOR FOOD**

(71) Applicant: **Kabushiki Kaisha Yoshikawakuni Kogyosho**, Nara-ken (JP)

(72) Inventor: **Toshiyuki Yoshikawa**, Nara-ken (JP)

(73) Assignee: **KABUSHIKI KAISHA YOSHIKAWAKUNI KOGYOSHO**, Naraken (JP)

(\*) Notice: This patent is subject to a terminal disclaimer.

(\*\*) Term: **15 Years**

(21) Appl. No.: **29/723,357**

(22) Filed: **Feb. 6, 2020**

(30) **Foreign Application Priority Data**

Oct. 21, 2019 (JP) ..... 2019-023367

(51) **LOC (13) Cl.** ..... **09-07**

(52) **U.S. Cl.**  
USPC ..... **D7/629**

(58) **Field of Classification Search**  
USPC ..... D7/500, 511, 538, 542, 550.1,  
D7/553.4-553.6, 554.2, 601, 605, 608,  
(Continued)

(56) **References Cited**

**U.S. PATENT DOCUMENTS**

5,021,351 A \* 6/1991 Ervin ..... C12M 23/38  
206/508  
D367,589 S \* 3/1996 Zimmerman ..... D7/629  
(Continued)

**FOREIGN PATENT DOCUMENTS**

CN 303602437 \* 3/2016  
CN 306023740 \* 9/2020  
JP D1666703 \* 8/2020

**OTHER PUBLICATIONS**

Storage Bowl 4L, Glasslock, biome.com.au, author unlisted, published on Apr. 22, 2019 per wayback machine © 2020 Biome Eco Stores, online, site visited Sep. 16, 2021. Available at URL: <https://www.biome.com.au/kitchenware/19321-glasslock-storage-bowl-4l-round-blue-9313803280328.html> (Year: 2019).\*

*Primary Examiner* — Holly E Thurman

*Assistant Examiner* — Altaira J Swangin

(74) *Attorney, Agent, or Firm* — Vedder Price P.C.

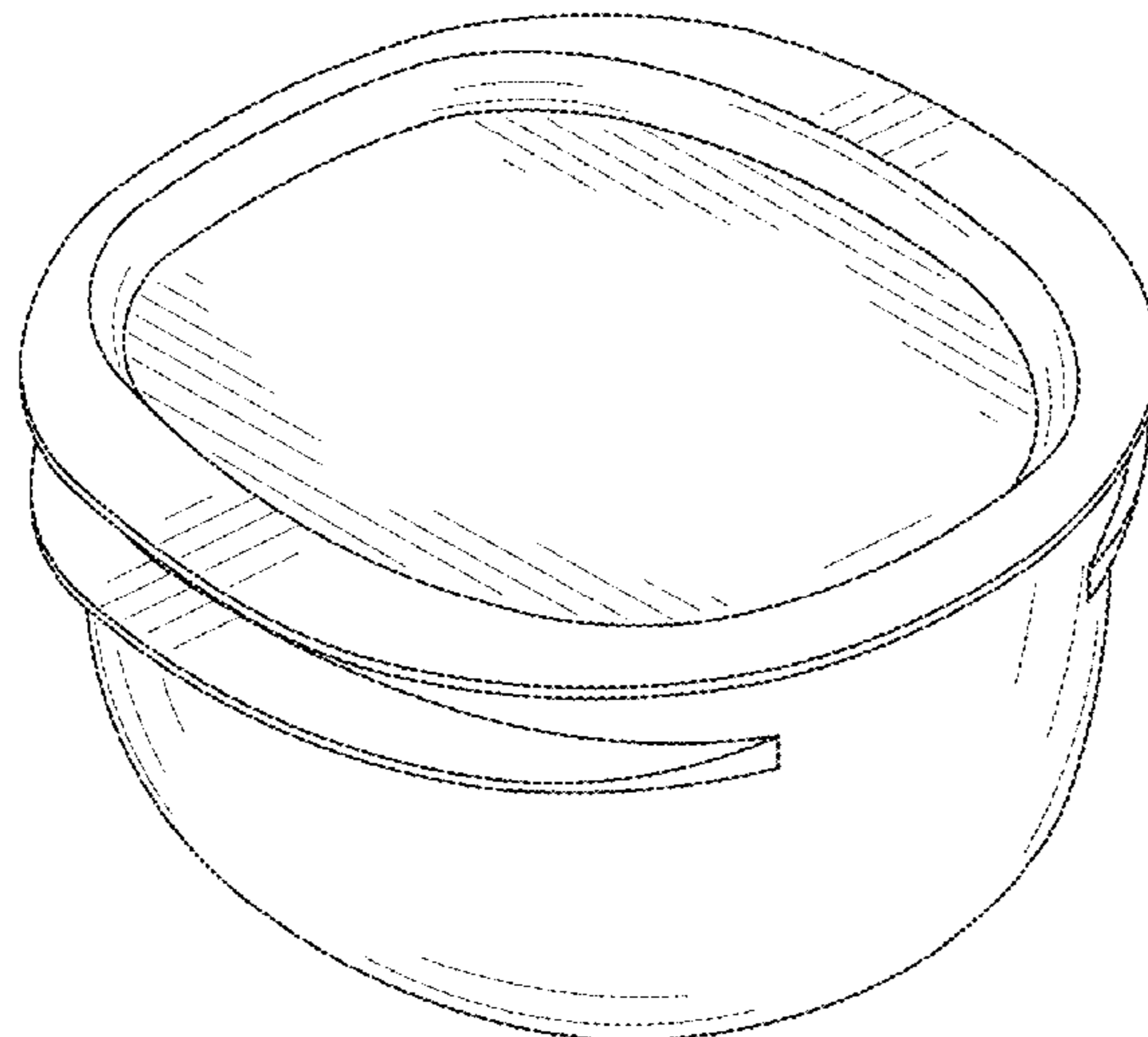
(57) **CLAIM**

The ornamental design for a storage container for food, as shown and described.

**DESCRIPTION**

FIG. 1 is a front view of a storage container for food, composed of a main body and a lid;  
FIG. 2 is a top plan view thereof;  
FIG. 3 is a bottom view thereof;  
FIG. 4 is a right side view thereof;  
FIG. 5 is a sectional view thereof taken along line 5-5 of FIG. 2;  
FIG. 6 is a sectional view thereof taken along line 6-6 of FIG. 2;  
FIG. 7 is a perspective view thereof;  
FIG. 8 is a perspective view of a body of the storage container for food of FIG. 1, shown with the lid removed for ease of illustration;  
FIG. 9 is a front view of a lid of the storage container for food of FIG. 1, shown removed from the body for ease of illustration;  
FIG. 10 is a right side view of the lid thereof;  
FIG. 11 is a perspective view of the lid thereof when viewed from below; and,  
FIG. 12 is a perspective view of the storage container for food of FIG. 1, shown in a state of use with environment. The broken lines showing the environment of a tray and additional container in FIG. 12 form no part of the claimed design.

**1 Claim, 11 Drawing Sheets**



(58) **Field of Classification Search**

USPC .... D7/629, 708, 710; D3/11, 201, 207, 212,  
           D3/273, 294, 302, 304, 901, 903-905;  
           D9/424-426, 428, 767, 772, 781;  
           D13/108

CPC ..... A24F 23/00; A45C 11/20; B65D 21/0219;  
           B65D 43/0204

See application file for complete search history.

(56) **References Cited**

U.S. PATENT DOCUMENTS

D373,704 S *	9/1996	Doxey .....	D7/391
D411,714 S *	6/1999	Wilson .....	D7/629
D484,005 S *	12/2003	Levien .....	D7/610
D523,695 S *	6/2006	Haataja .....	D7/543
D534,807 S *	1/2007	Smay .....	D9/503
D537,300 S *	2/2007	Kim .....	D7/542
D568,693 S *	5/2008	Furlong .....	D7/629
D568,694 S *	5/2008	Furlong .....	D7/629
D575,114 S *	8/2008	Moghavem .....	D7/629
D609,979 S *	2/2010	Soibel .....	D7/629
D671,367 S *	11/2012	Shah .....	D7/542
D720,613 S *	1/2015	Dziaba .....	D9/424
D772,701 S *	11/2016	Dziaba .....	D9/428
D776,491 S *	1/2017	Goldfarb .....	D7/630
D790,925 S *	7/2017	Cornu .....	D7/542
D792,221 S *	7/2017	Dziaba .....	D9/454
10,479,554 B2 *	11/2019	Dziaba .....	B65D 43/0212
D876,901 S *	3/2020	Cheng .....	D7/602
D948,966 S *	4/2022	Chen .....	D7/630
2016/0194112 A1 *	7/2016	Dziaba .....	B65D 43/0204 206/505

\* cited by examiner

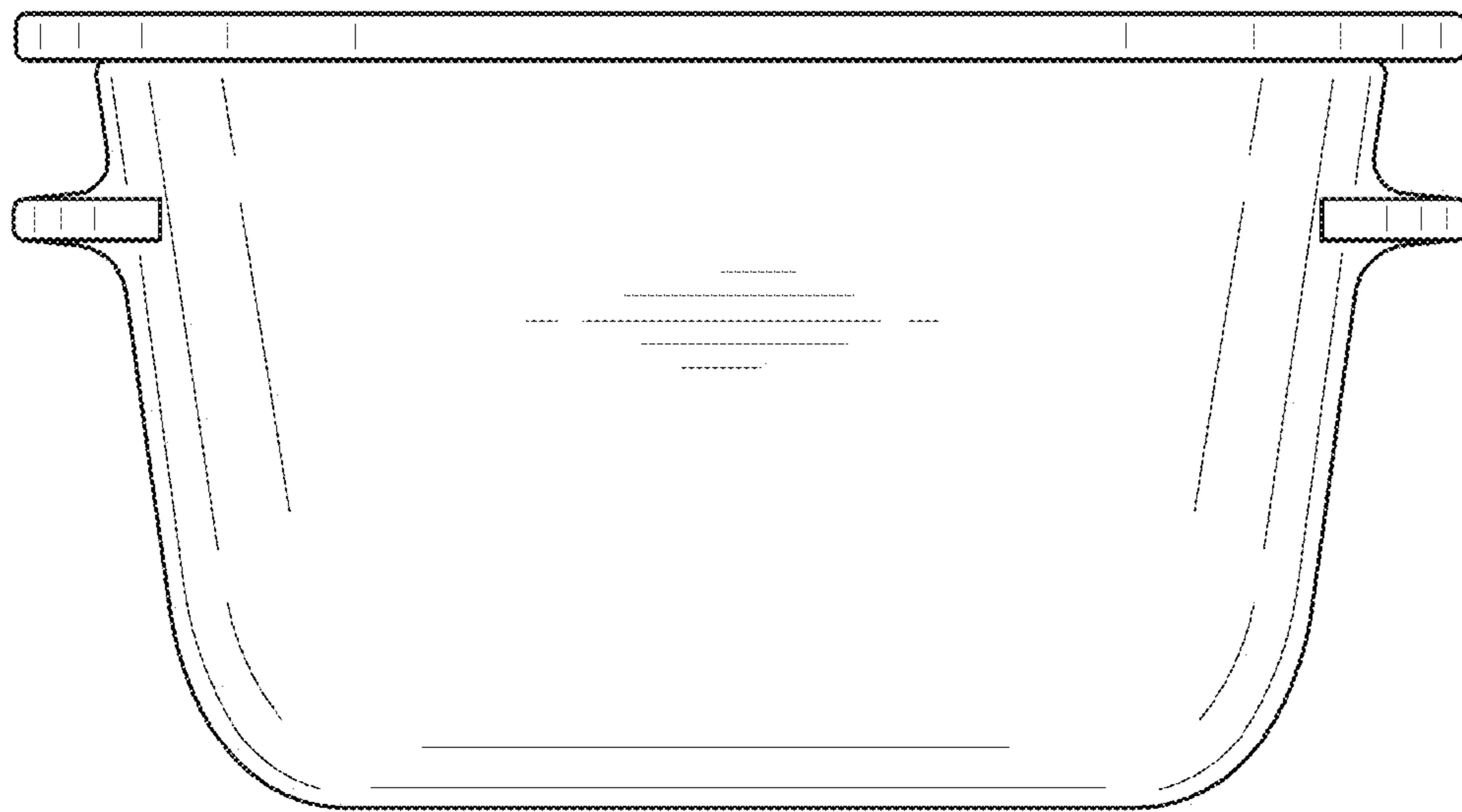


FIG. 1

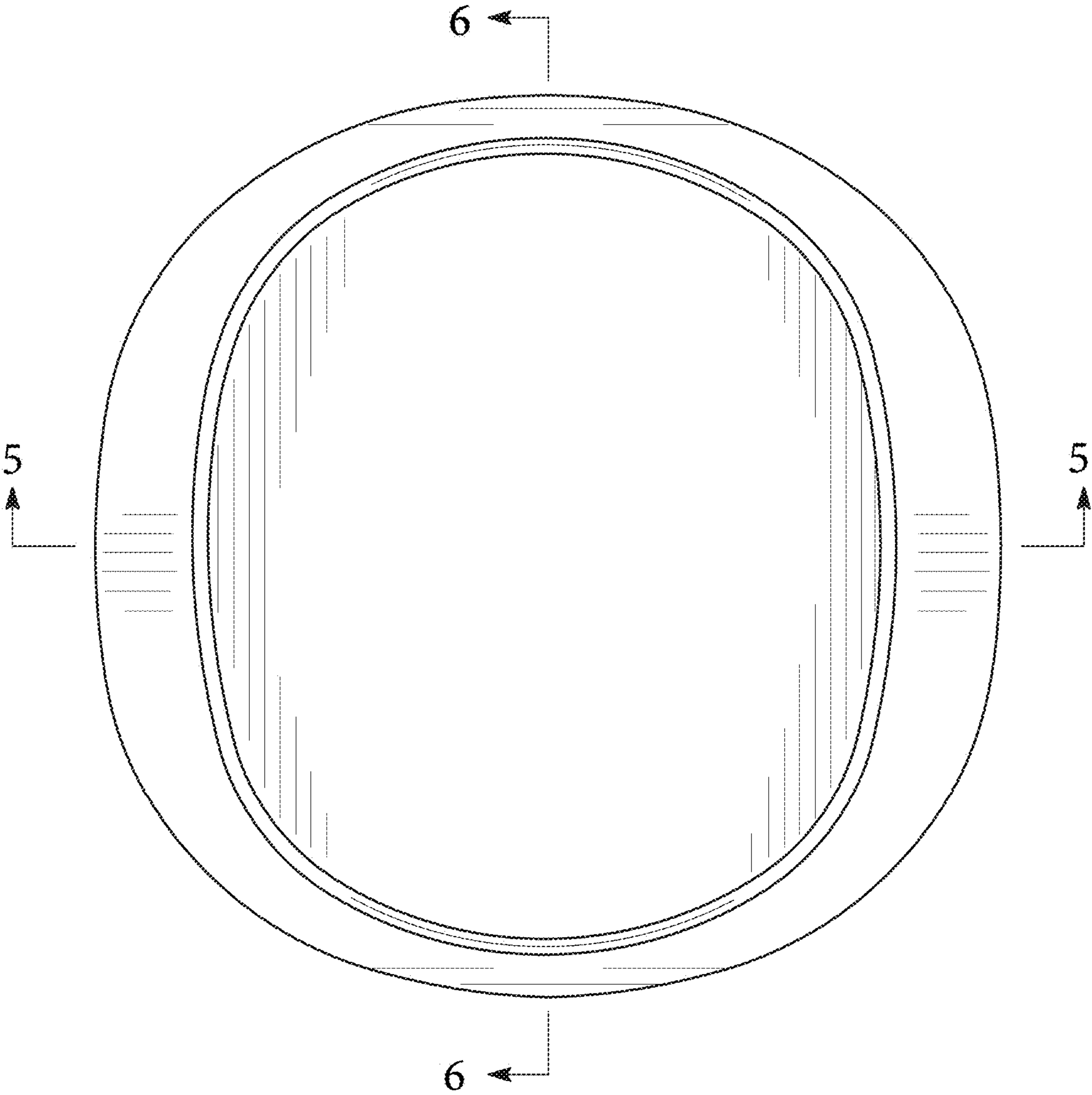


FIG. 2

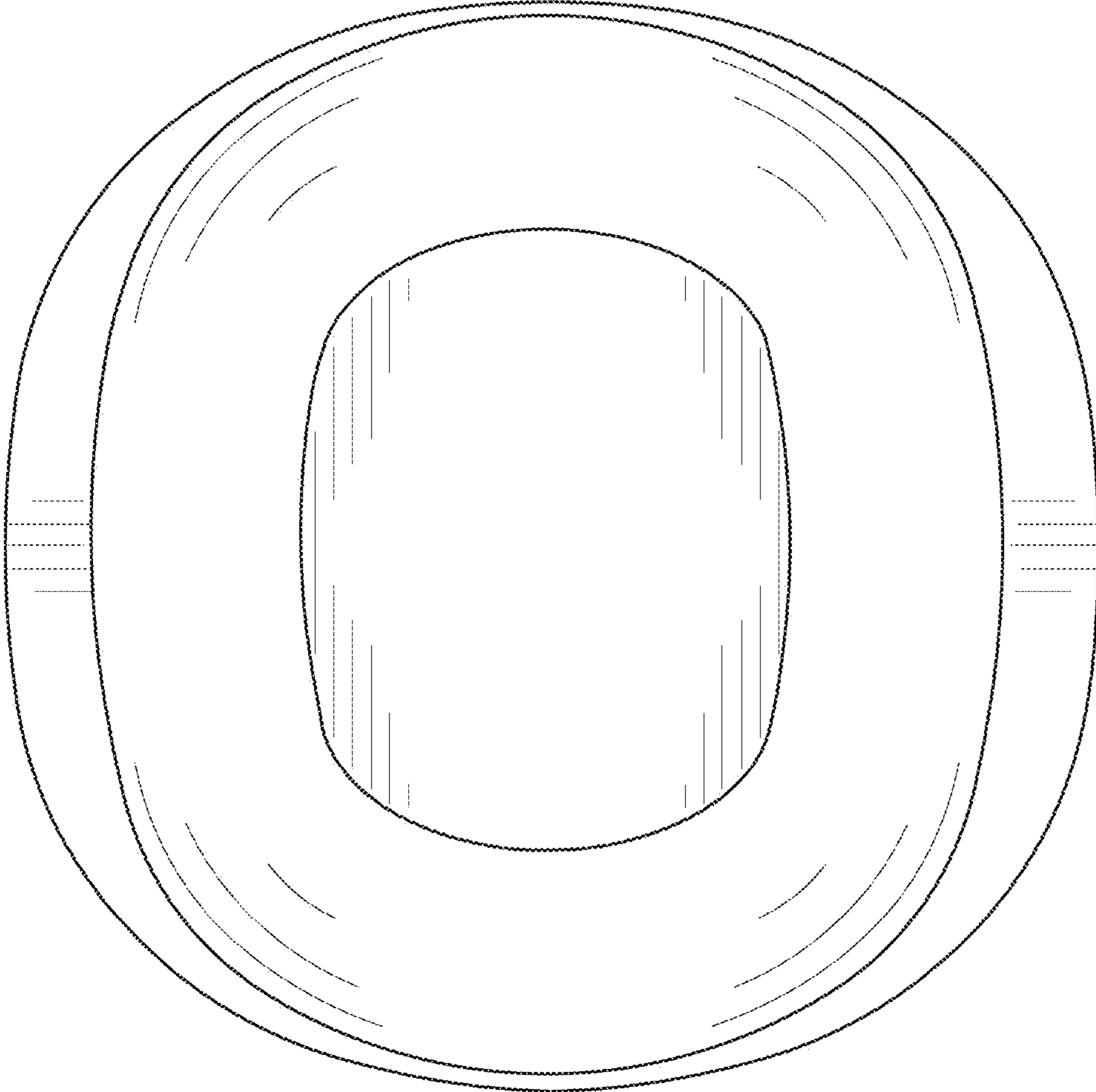


FIG. 3

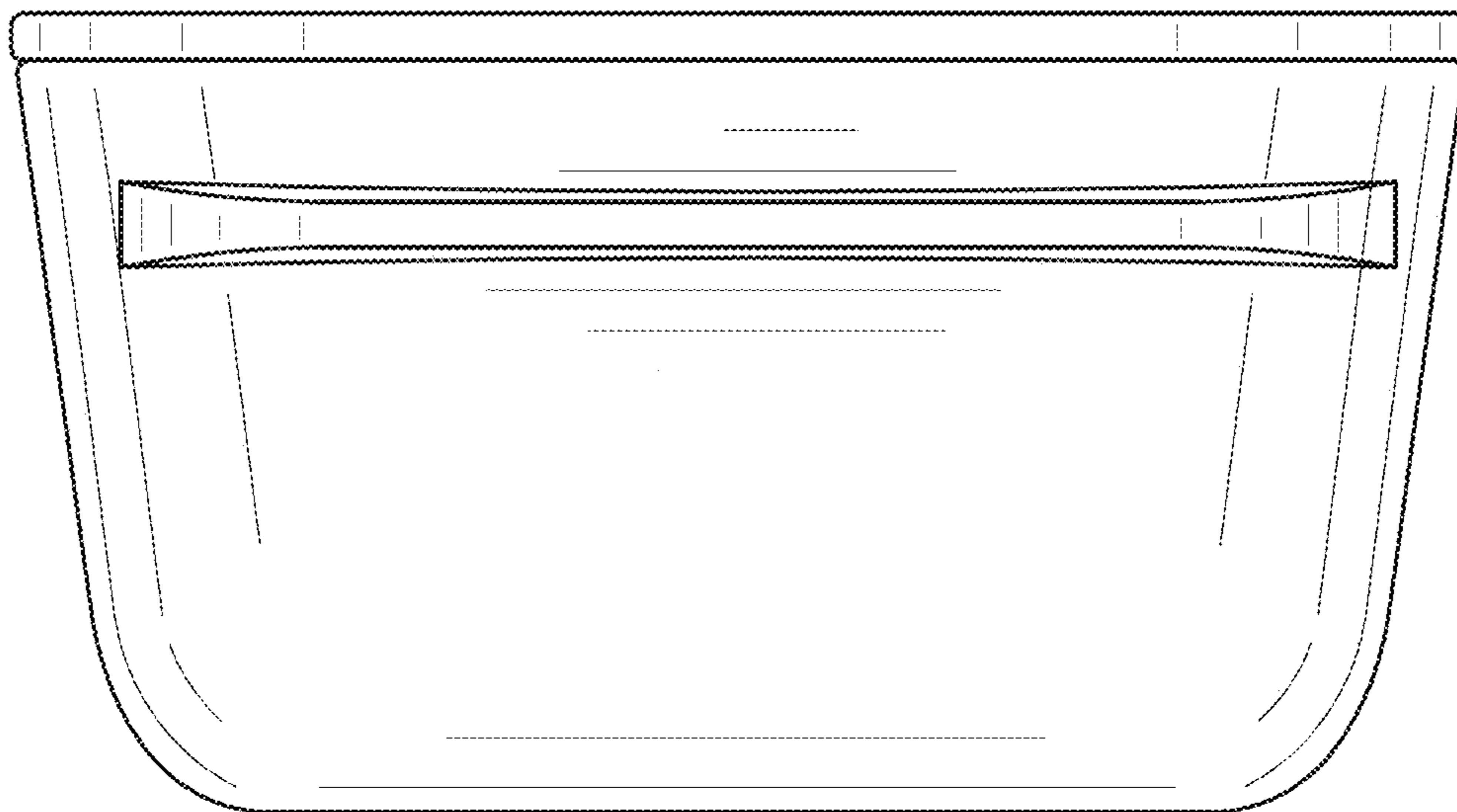


FIG. 4

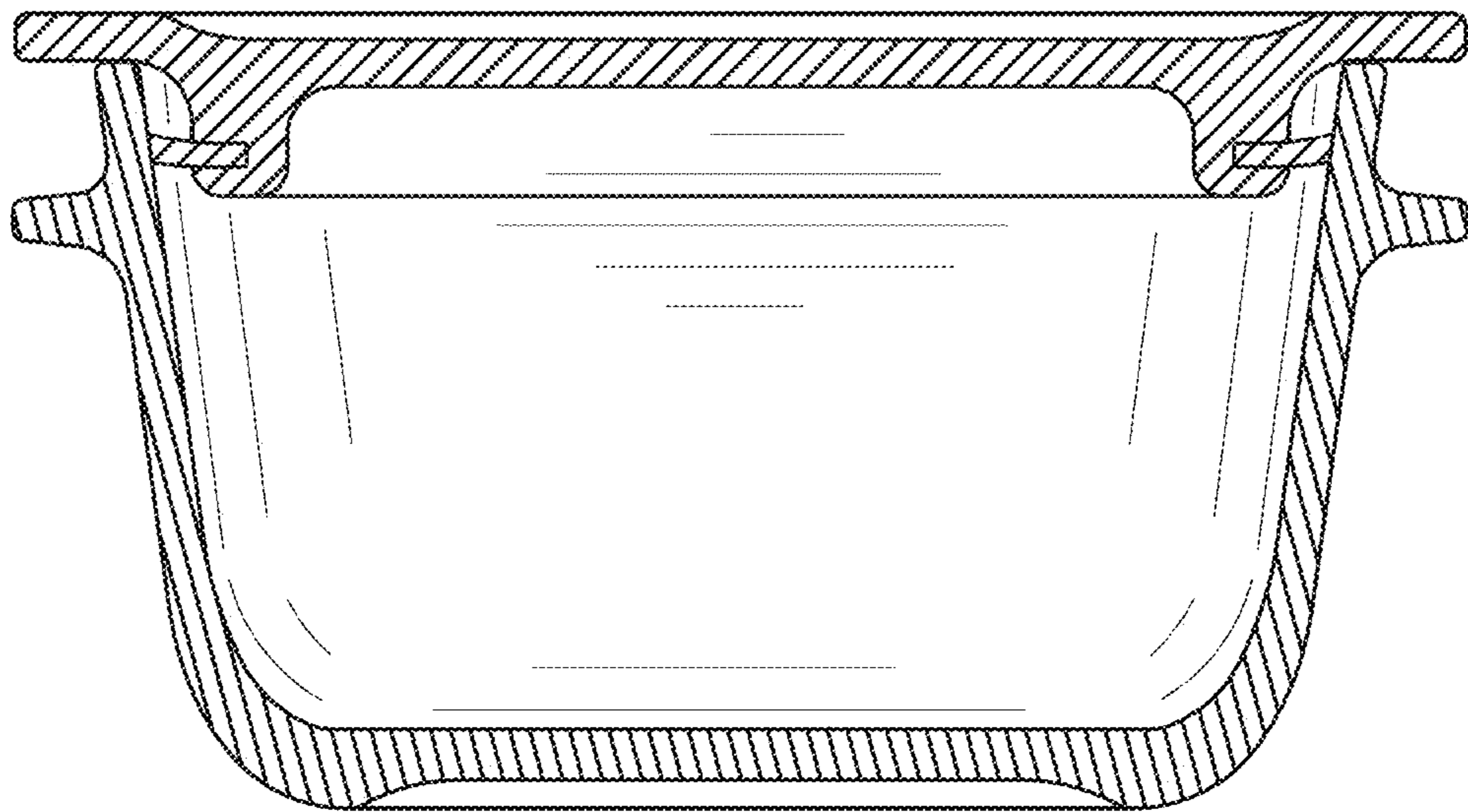


FIG. 5

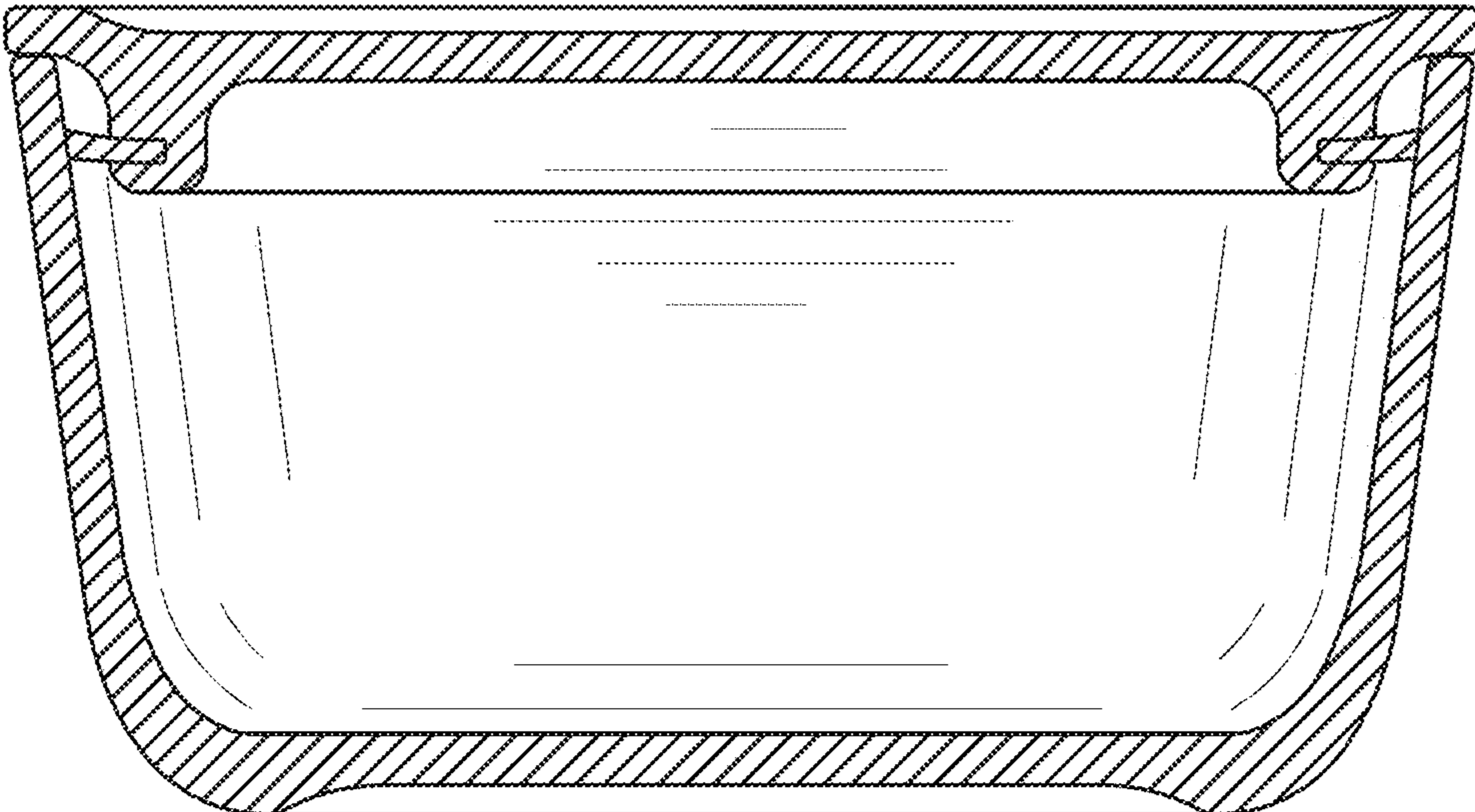


FIG. 6



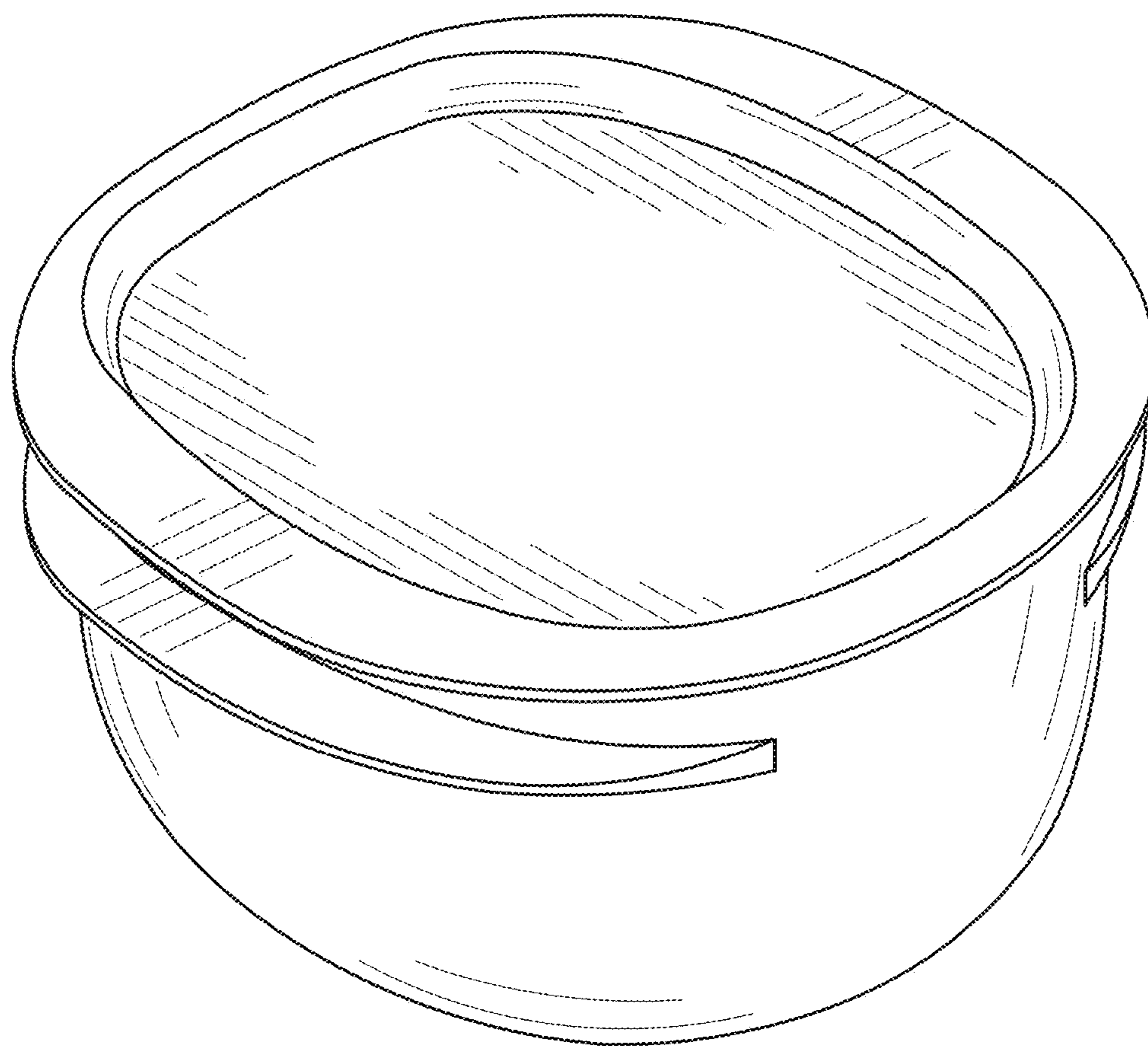


FIG. 7

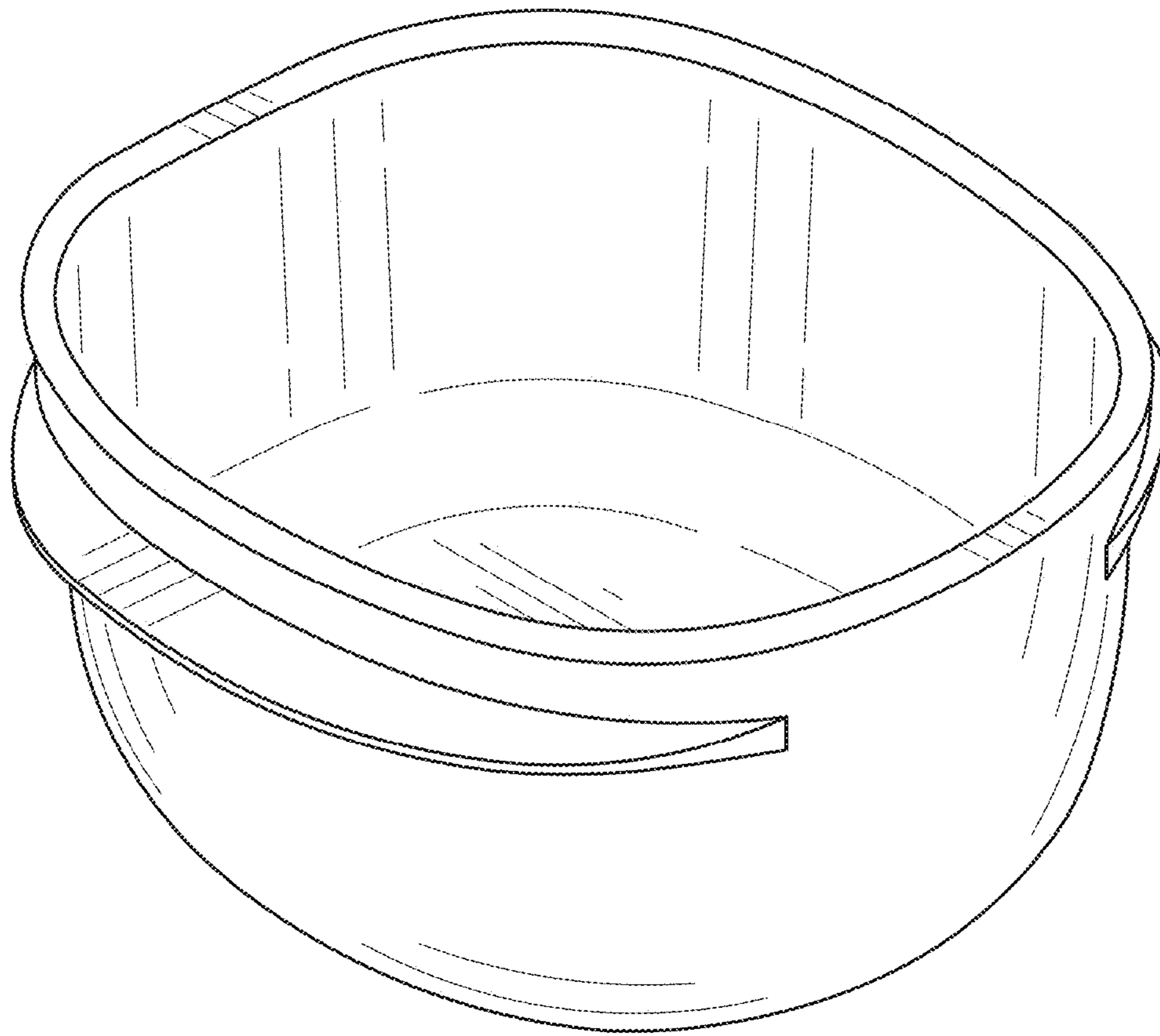


FIG. 8

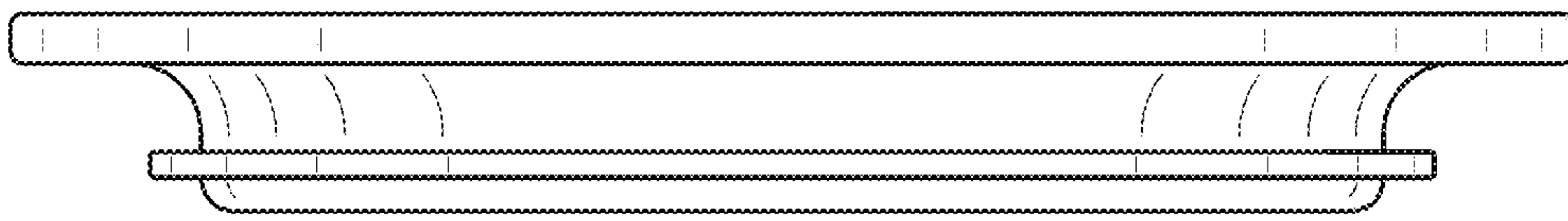


FIG. 9

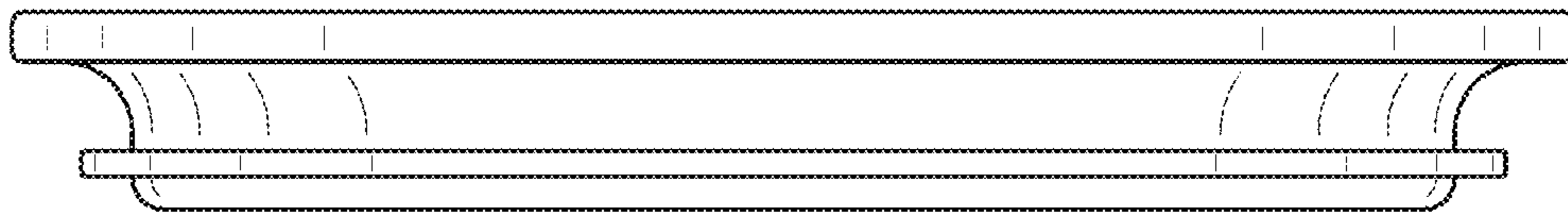


FIG. 10

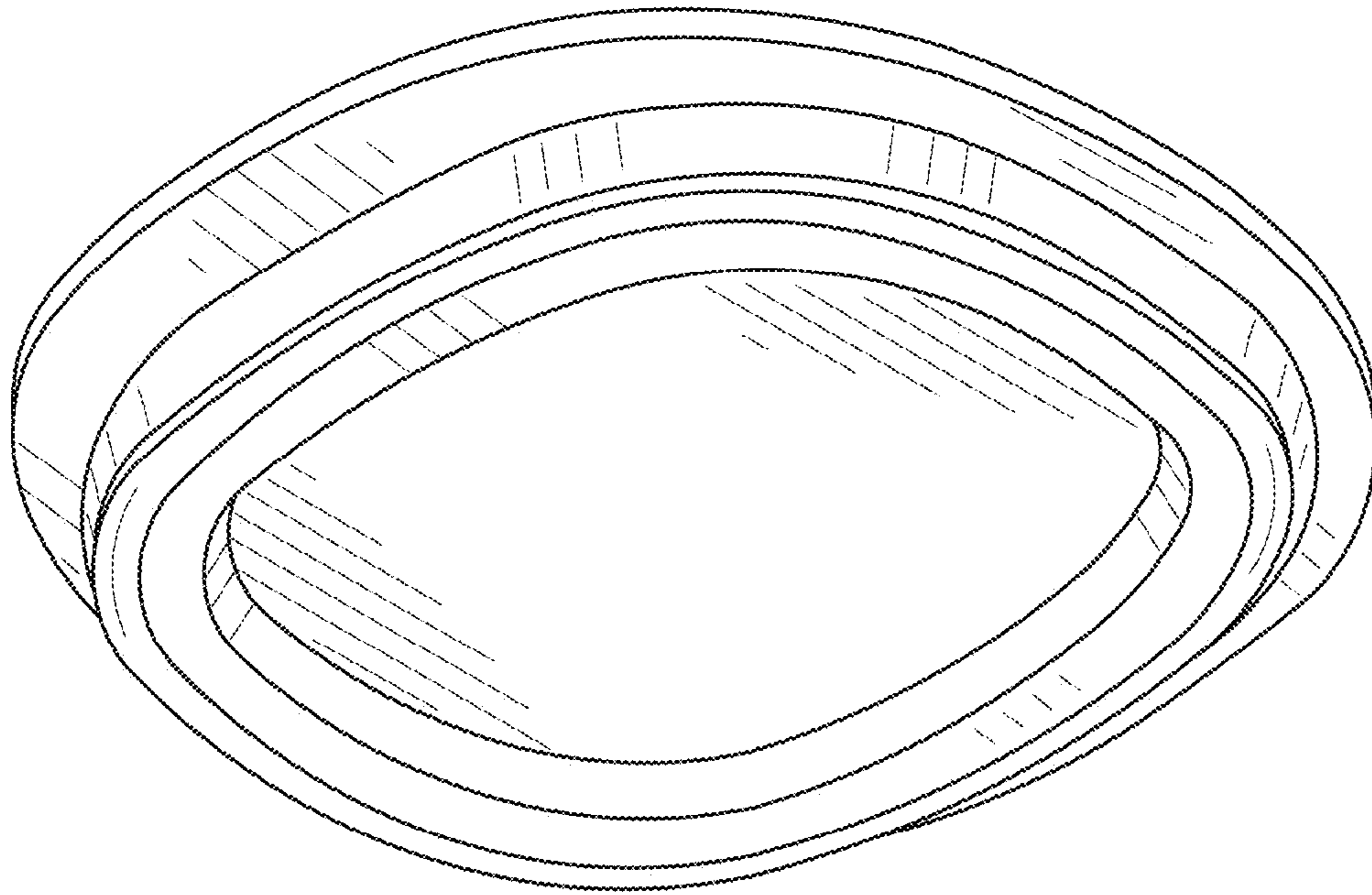


FIG. 11

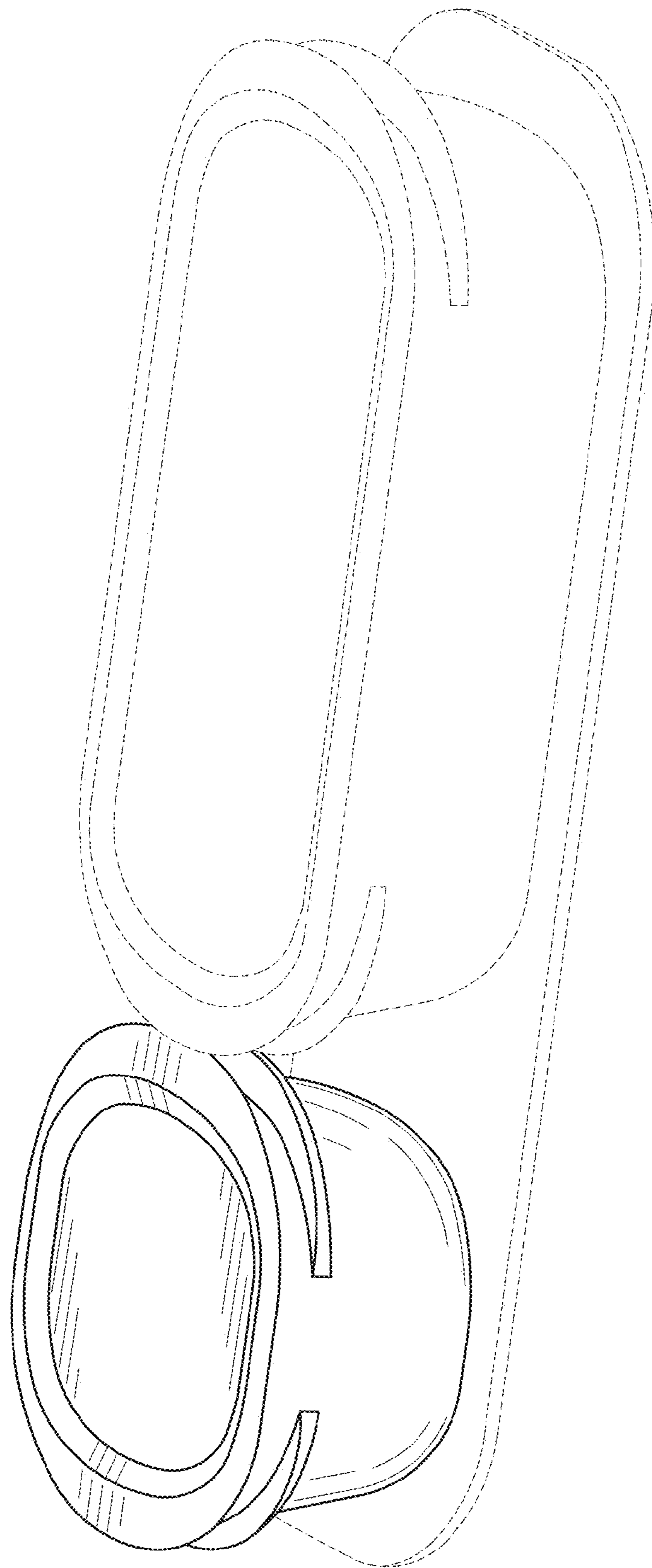


FIG. 12