

US00D960663S

(12) **United States Design Patent** (10) **Patent No.:** **US D960,663 S**
Chung (45) **Date of Patent:** **** Aug. 16, 2022**

(54) **LUNCH BOX**
(71) Applicant: **Hsiao Yu Chung**, Arcadia, CA (US)
(72) Inventor: **Hsiao Yu Chung**, Arcadia, CA (US)
(**) Term: **15 Years**
(21) Appl. No.: **29/714,485**
(22) Filed: **Nov. 22, 2019**
(51) **LOC (13) Cl.** **09-07**
(52) **U.S. Cl.**
USPC **D7/629; D9/761**
(58) **Field of Classification Search**
USPC D7/601, 629, 550.1, 551.1, 551.2, 551.3,
D7/552.1, 552.2, 553.1, 553.2, 553.3,
D7/553.4, 553.5, 553.7, 553.8, 554.1,
D7/554.3, 554.4, 555, 557, 630, 538-542,
D7/612-615, 584, 586, 587, 392.1, 709,
D7/502, 608, 622; D9/424-432, 737,
D9/759, 761; D3/273, 274, 201-206,
D3/276, 283, 284, 295, 302
CPC B65D 1/36; B65D 25/04; B65D 21/0206;
B65D 2543/00175; B65D 2543/00296;
A47G 19/02; A47G 23/06; A47G 23/0608
See application file for complete search history.

D705,014 S * 5/2014 Kyle D7/629
D755,578 S * 5/2016 Wu D7/629
D755,579 S * 5/2016 Wu D7/629
D763,706 S * 8/2016 Shum D9/737
D830,796 S * 10/2018 Chen D7/703
D873,095 S * 1/2020 Hutzler D7/667
D900,640 S * 11/2020 Huang D9/761
D905,572 S * 12/2020 Flanagan D9/737
D905,573 S * 12/2020 Flanagan D9/737
D905,574 S * 12/2020 Flanagan D9/737
D911,777 S * 3/2021 Spence D7/501

(Continued)

Primary Examiner — Andrew Kerr
(74) *Attorney, Agent, or Firm* — Tommy S F Wang;
Wang IP Law Group, P.C.

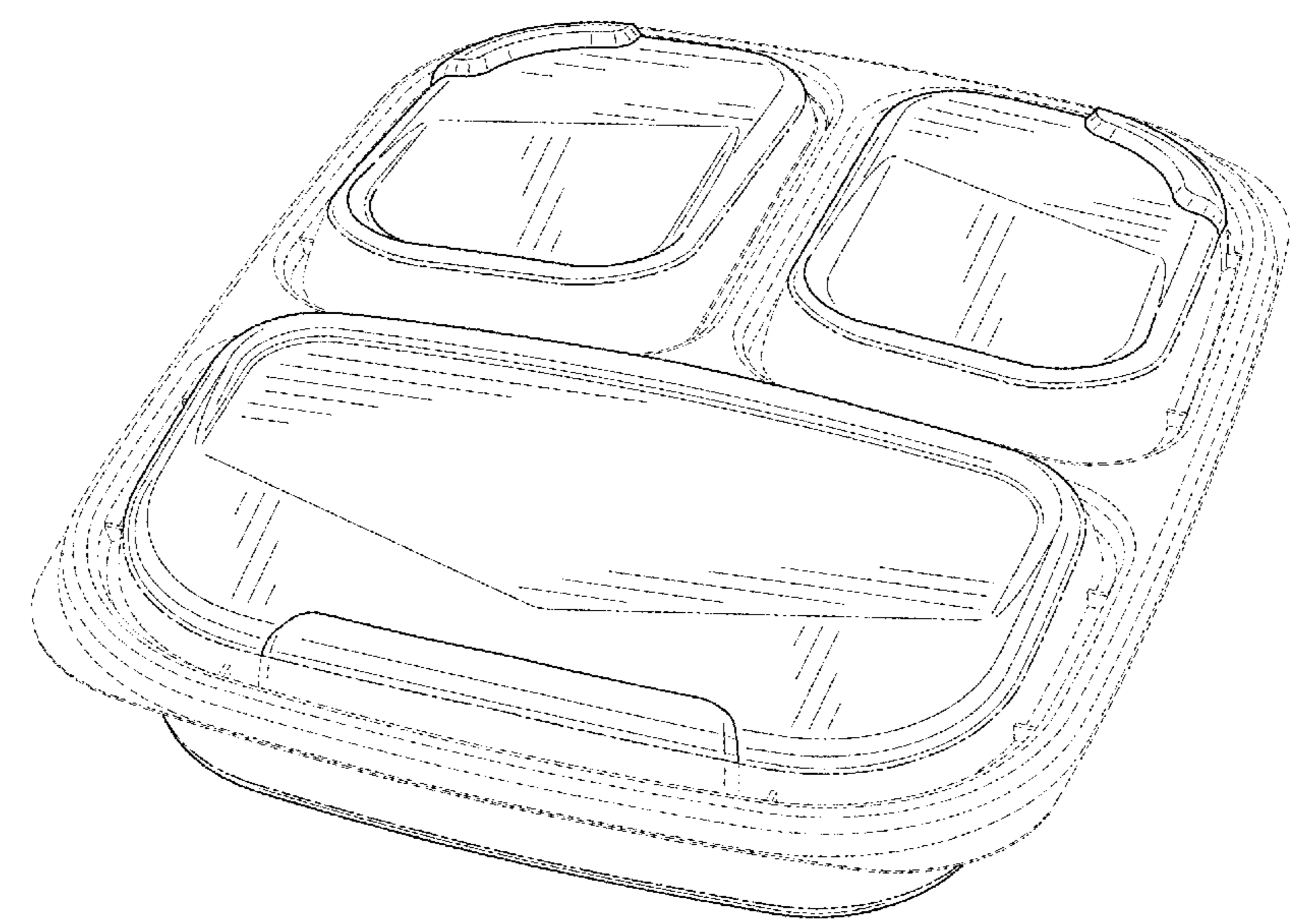
(57) **CLAIM**
The ornamental design for a lunch box, as shown and described.

DESCRIPTION

FIG. 1 is a front perspective view of a lunch box showing my new design;
FIG. 2 is a bottom perspective view thereof
FIG. 3 is a front view thereof;
FIG. 4 is a rear view thereof;
FIG. 5 is a left side view thereof;
FIG. 6 is a right side view thereof;
FIG. 7 is a top view thereof;
FIG. 8 is a bottom view thereof; and,
FIG. 9 is another front perspective view thereof, in a condition of use.
The broken line portions of the lunch box in FIGS. 1-9 represent unclaimed portions of the claimed design and form no part thereof. The broken lines of the additional lunch box in FIG. 9 illustrate unclaimed environment and forms no part of the claimed design. The dot-dash broken lines in FIGS. 1-9 represent unclaimed boundary lines and form no part of the claimed design.

1 Claim, 7 Drawing Sheets

(56) **References Cited**
U.S. PATENT DOCUMENTS
D489,579 S * 5/2004 Wright D7/629
D515,880 S * 2/2006 Lerner D7/629
D551,546 S * 9/2007 Ramirez D9/424
D552,487 S * 10/2007 Chou D9/428
D585,734 S * 2/2009 Doliwa D7/629
D655,988 S * 3/2012 Miros D7/629
D665,675 S * 8/2012 Wu D9/761
D665,676 S * 8/2012 Wu D9/761
D676,285 S * 2/2013 Shirley D7/629
D691,901 S * 10/2013 Epstein D9/761
D696,910 S * 1/2014 Franczyk D7/629



(56)

References Cited

U.S. PATENT DOCUMENTS

2006/0201950 A1* 9/2006 Liu B65D 1/36
220/526
2010/0224531 A1* 9/2010 Claffy B65D 81/3823
206/561

* cited by examiner

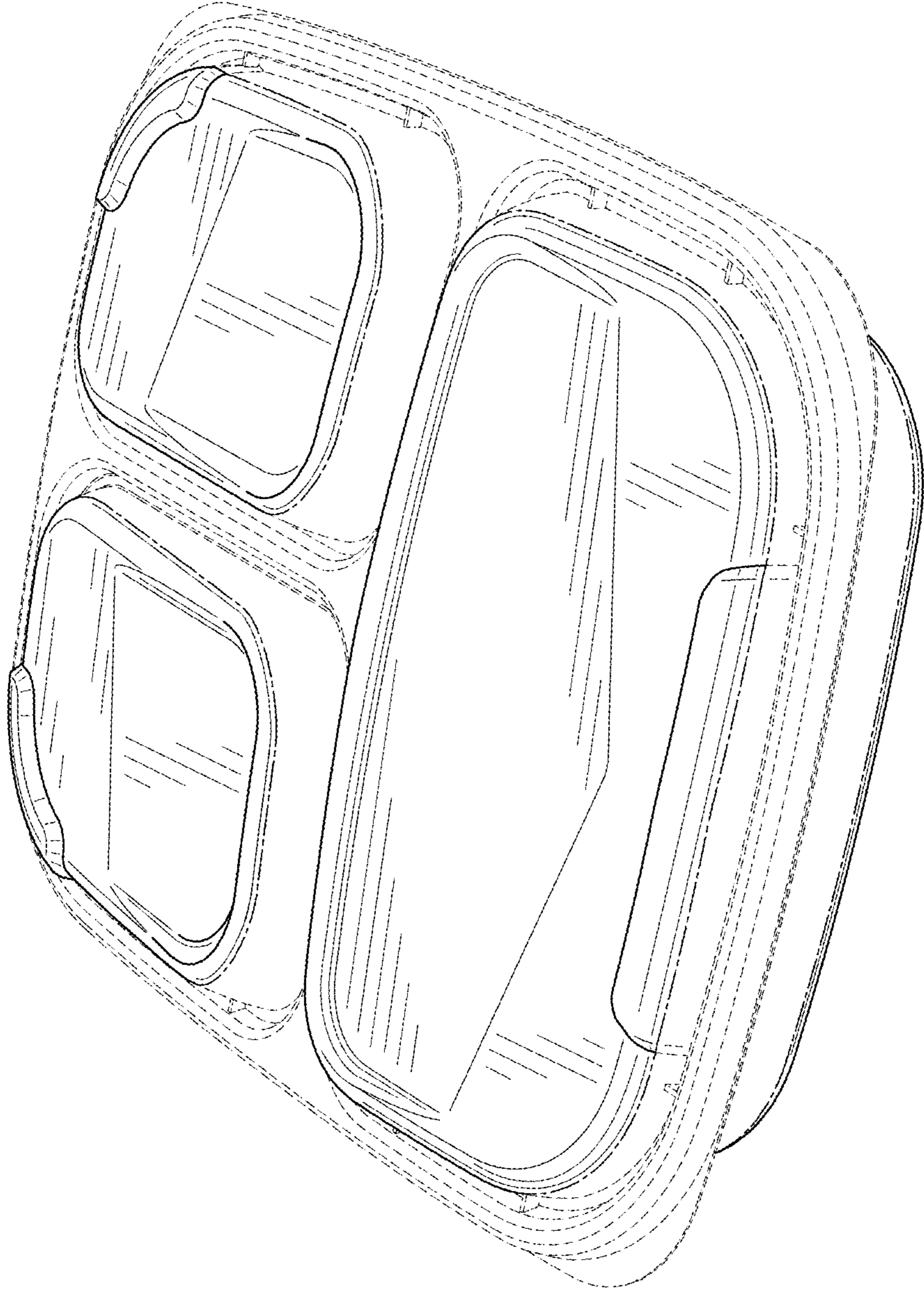


FIG. 1

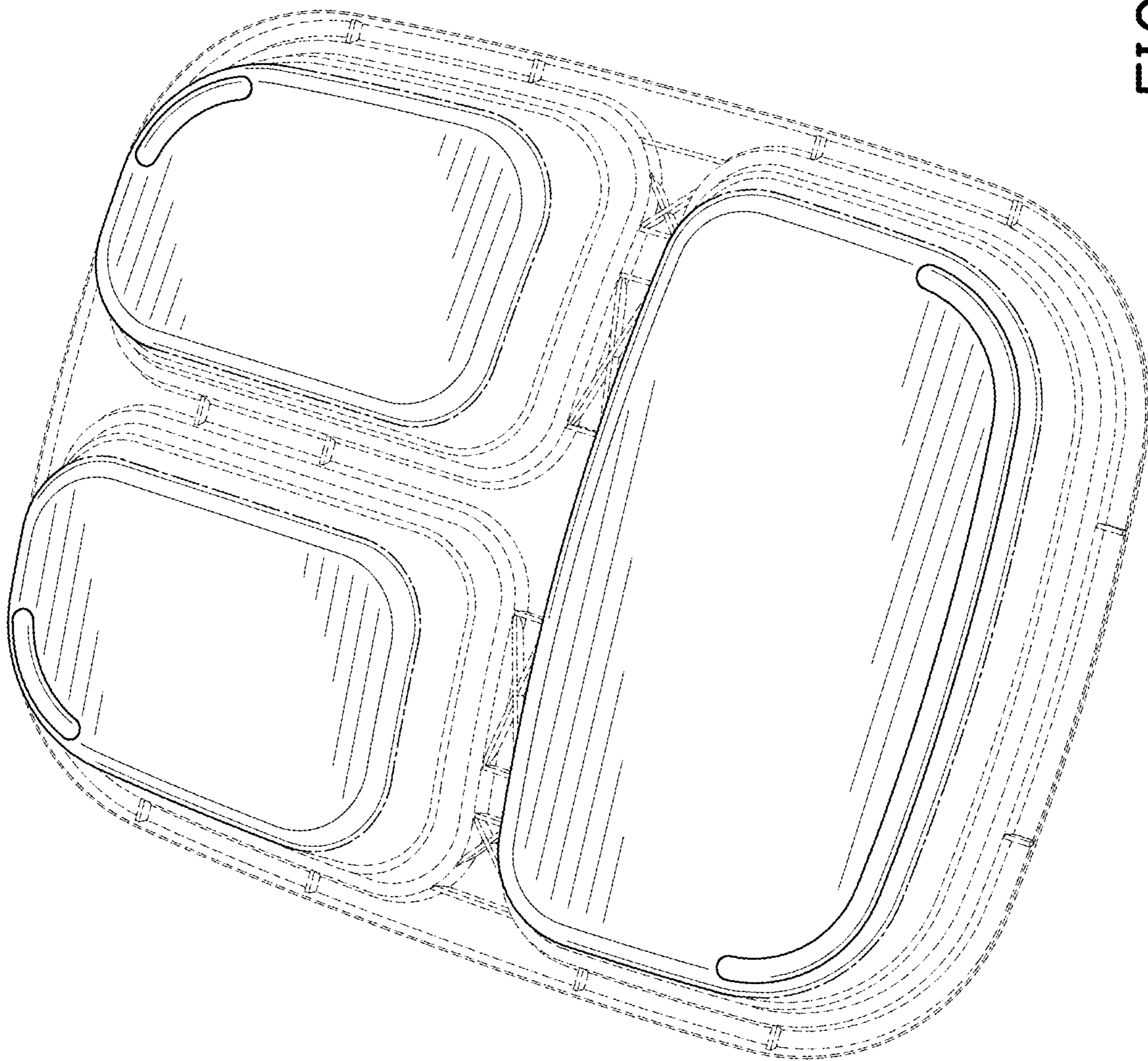


FIG. 2

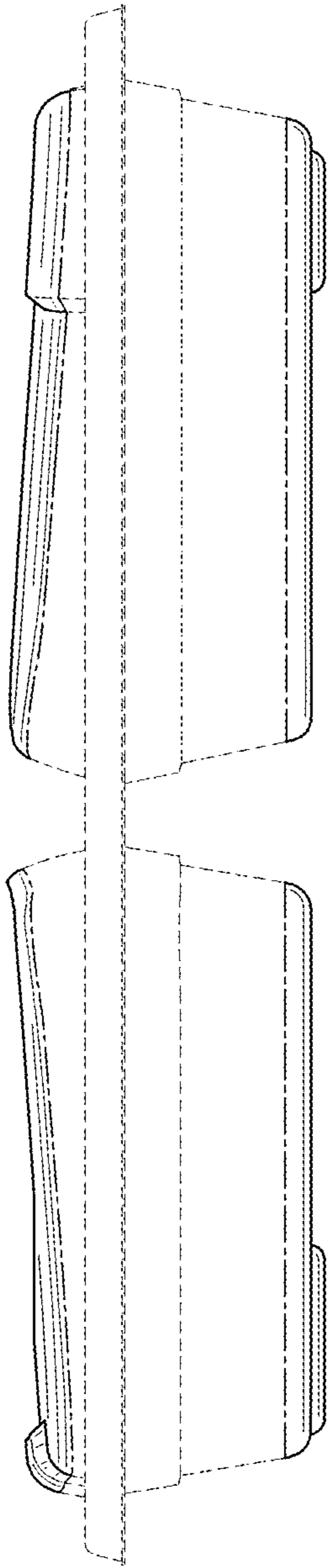


FIG. 3

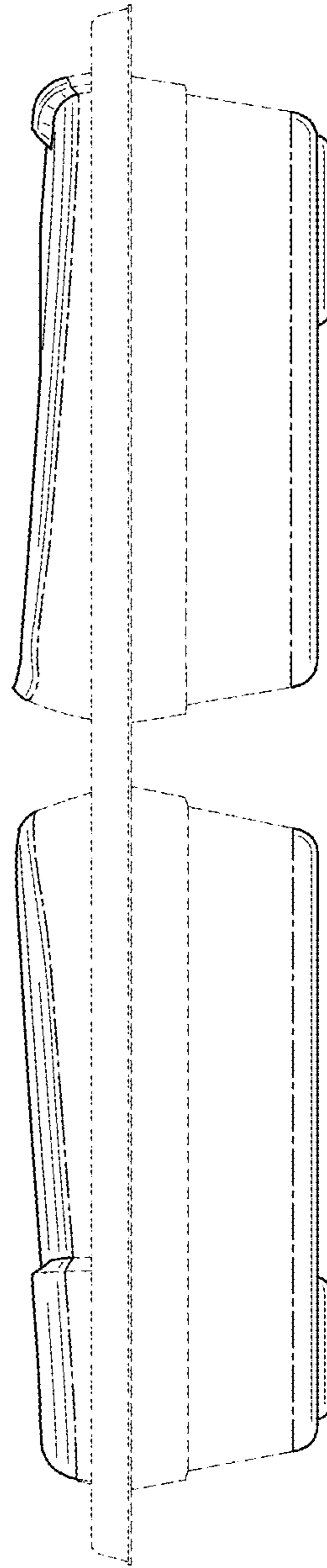


FIG. 4

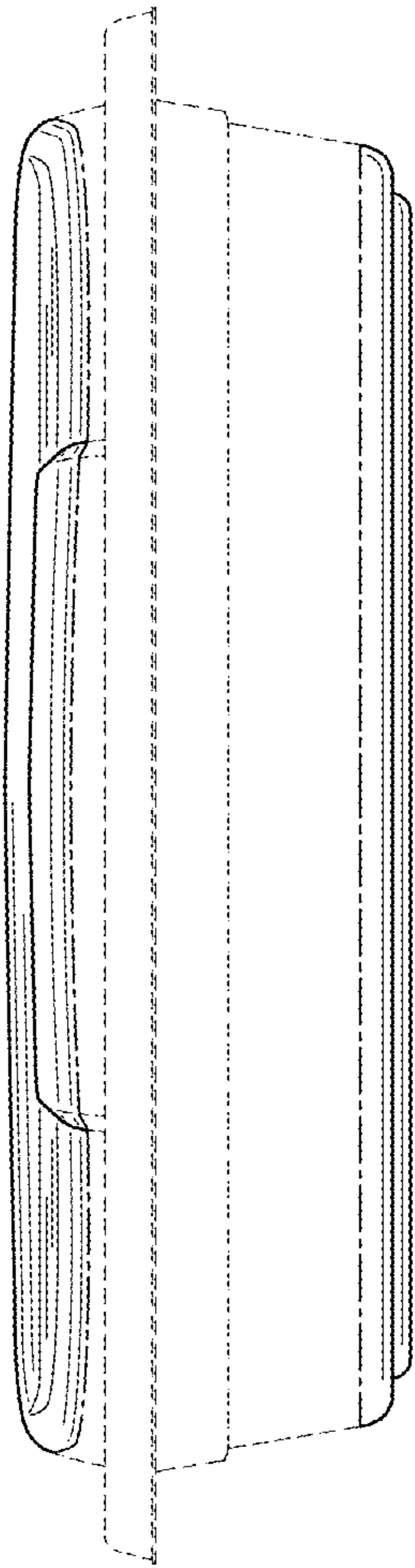


FIG. 5

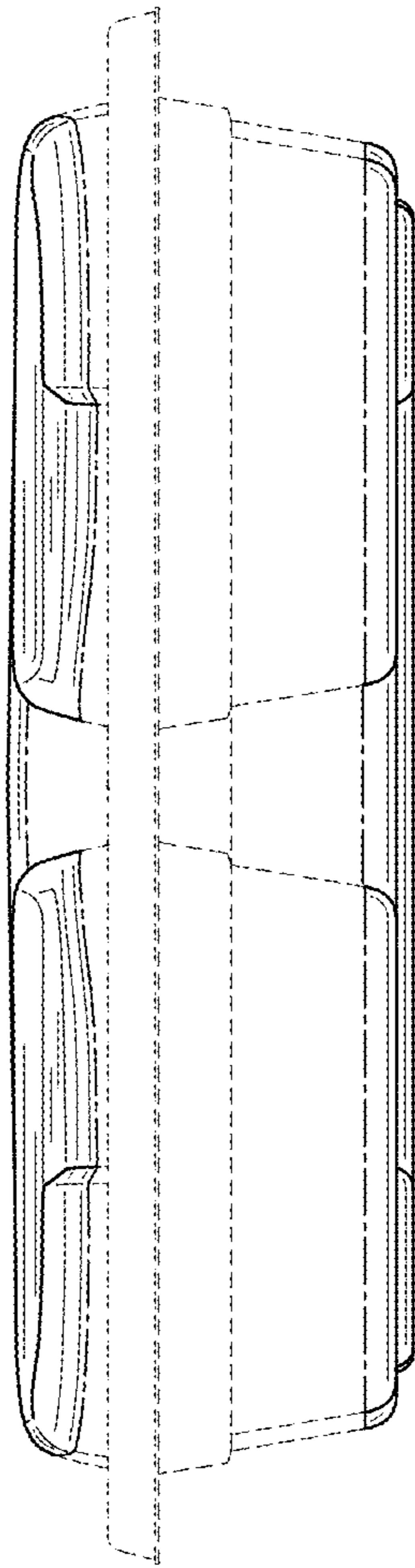


FIG. 6

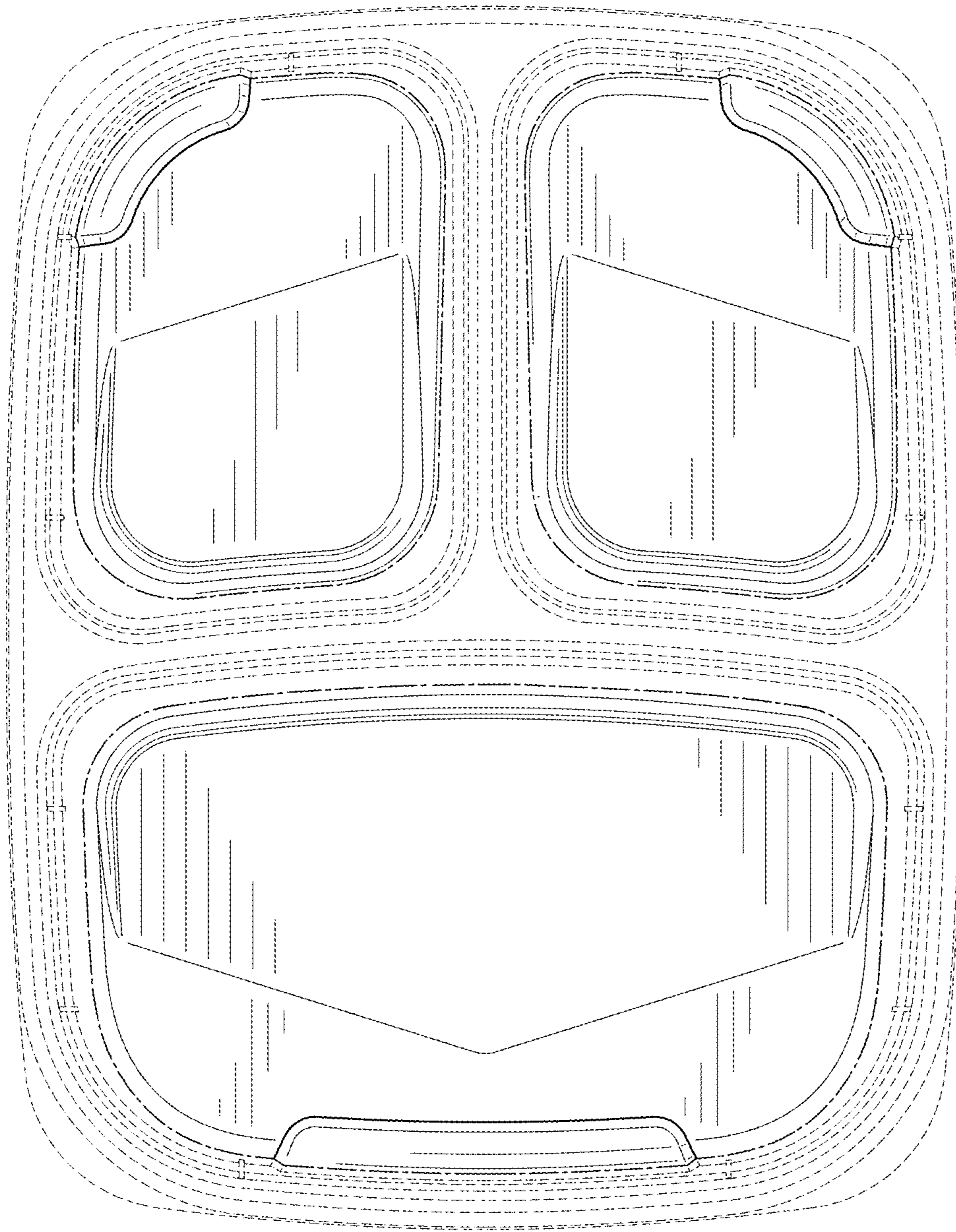


FIG. 7

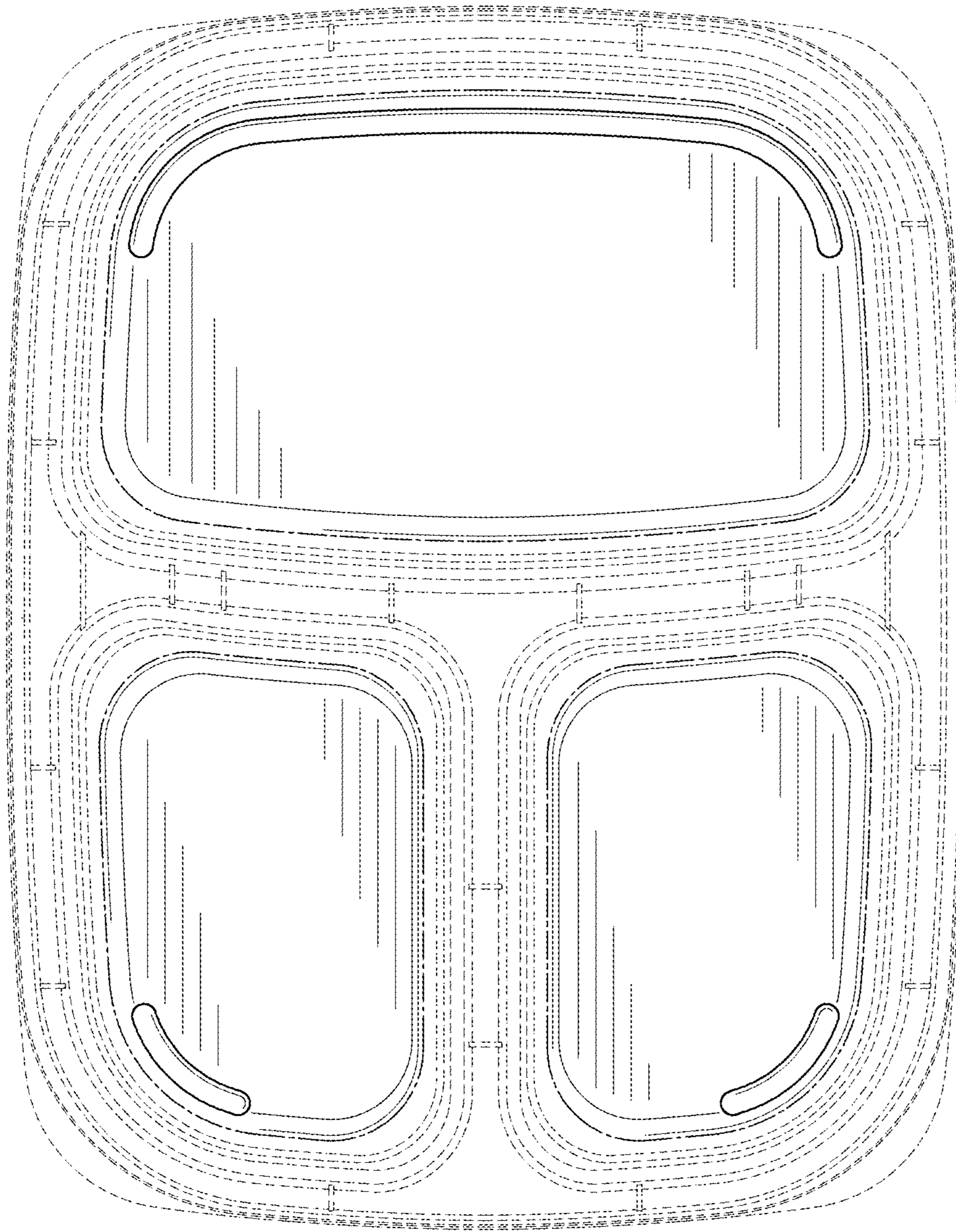


FIG. 8



FIG. 9