

US00D960662S

(12) **United States Design Patent**
Charm et al.

(10) **Patent No.:** **US D960,662 S**
(45) **Date of Patent:** **** Aug. 16, 2022**

(54) **PLATE STAND**

(71) Applicant: **Charm Concepts, LLC**, Newton, MA (US)

(72) Inventors: **Elizabeth M. Charm**, Newton, MA (US); **Jovo Djuragic**, Medford, MA (US); **Jordan Long**, Newton, MA (US)

(73) Assignee: **Charm Concepts, LLC**, Newton, MA (US)

(**) Term: **15 Years**

(21) Appl. No.: **29/730,068**

(22) Filed: **Apr. 1, 2020**

(51) **LOC (13) Cl.** **07-07**

(52) **U.S. Cl.**
USPC **D7/610**

(58) **Field of Classification Search**
USPC D7/602, 605-610, 701-710, 500, 590, D7/592-597, 600.1-600.2, 551.1, D7/614-615, 554.4, 558, 586, 632; D6/524-525, 537, 546, 556, 566, 677.2, D6/692.4-692.5; 211/30, 106, 1, 181.1; D9/747, 737-739, 751, 756-758, 455, D9/456; D3/306; 206/8, 202, 513
CPC .. A47F 5/01; A47F 5/02; A47F 7/0064; A47L 19/04; F16M 1/00; A47K 3/281; A47K 1/09; A47B 55/02; A47G 21/001; A47G 21/00; A47G 21/007; A47G 21/14; A47G 21/16; A47G 21/145; A47G 23/0208; A47G 23/0241; A47G 23/0258; A47G

23/0266; A47G 23/03; A47G 23/04; A47G 23/0313; A47G 23/0316; A47G 23/06; A47G 23/0616; A47G 23/0625

See application file for complete search history.

(56) **References Cited**

U.S. PATENT DOCUMENTS

D664,010 S *	7/2012	Goode	D7/610
D803,007 S *	11/2017	Liao	D7/610
D854,250 S *	7/2019	Huang	D28/73
D889,210 S *	7/2020	Jones	D7/610

* cited by examiner

Primary Examiner — Abraham Bahta

(74) *Attorney, Agent, or Firm* — MacCord Mason PLLC

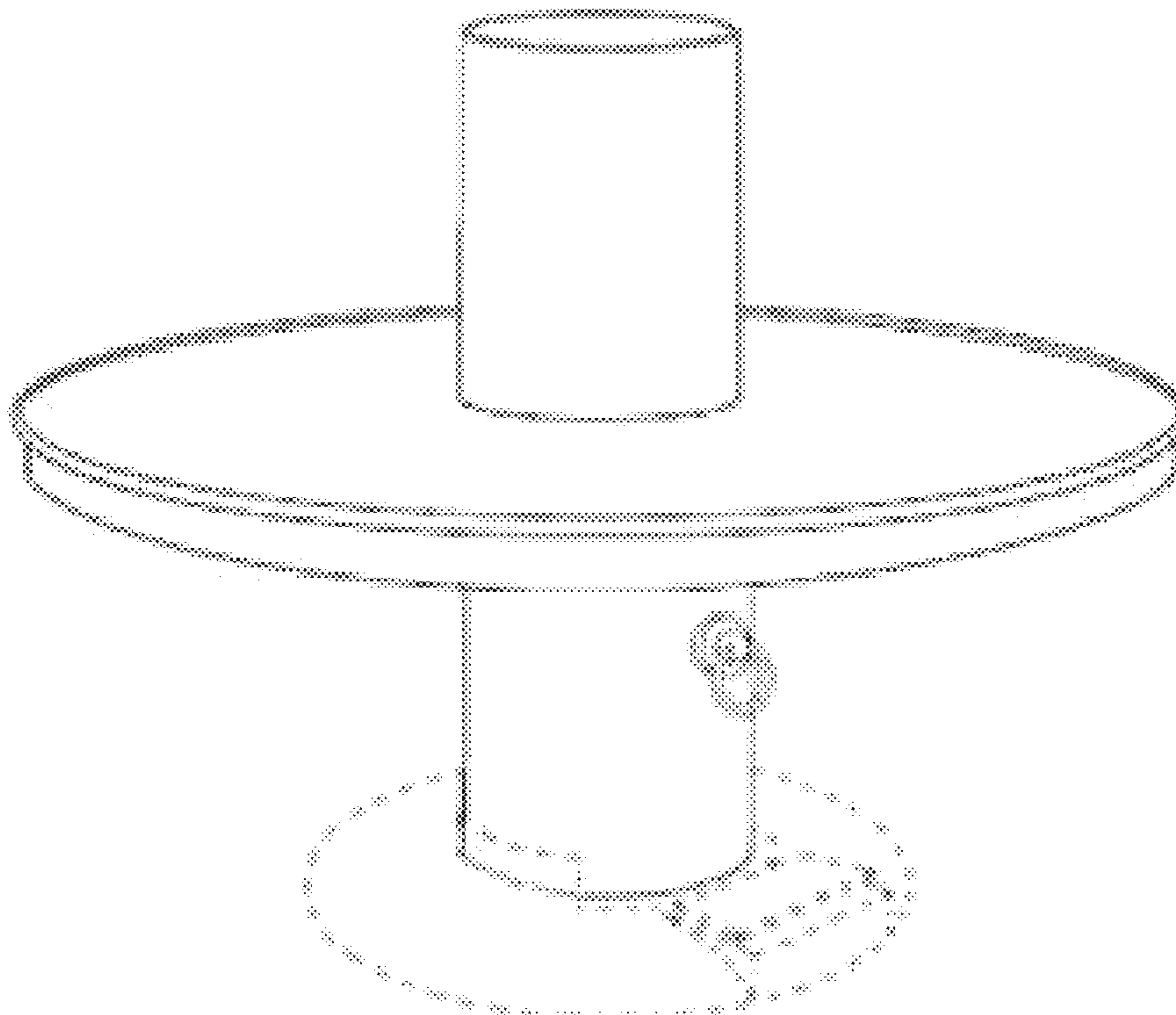
(57) **CLAIM**

The ornamental design for a plate stand, as shown and described.

DESCRIPTION

FIG. 1 is a side perspective view of a plate stand; FIG. 2 is a front view thereof; FIG. 3 is a rear view thereof; FIG. 4 is a top view thereof; and, FIG. 5 is a bottom view thereof. The broken lines in the above-described figures are for illustrative purposes only and form no part of the presently claimed design.

1 Claim, 3 Drawing Sheets



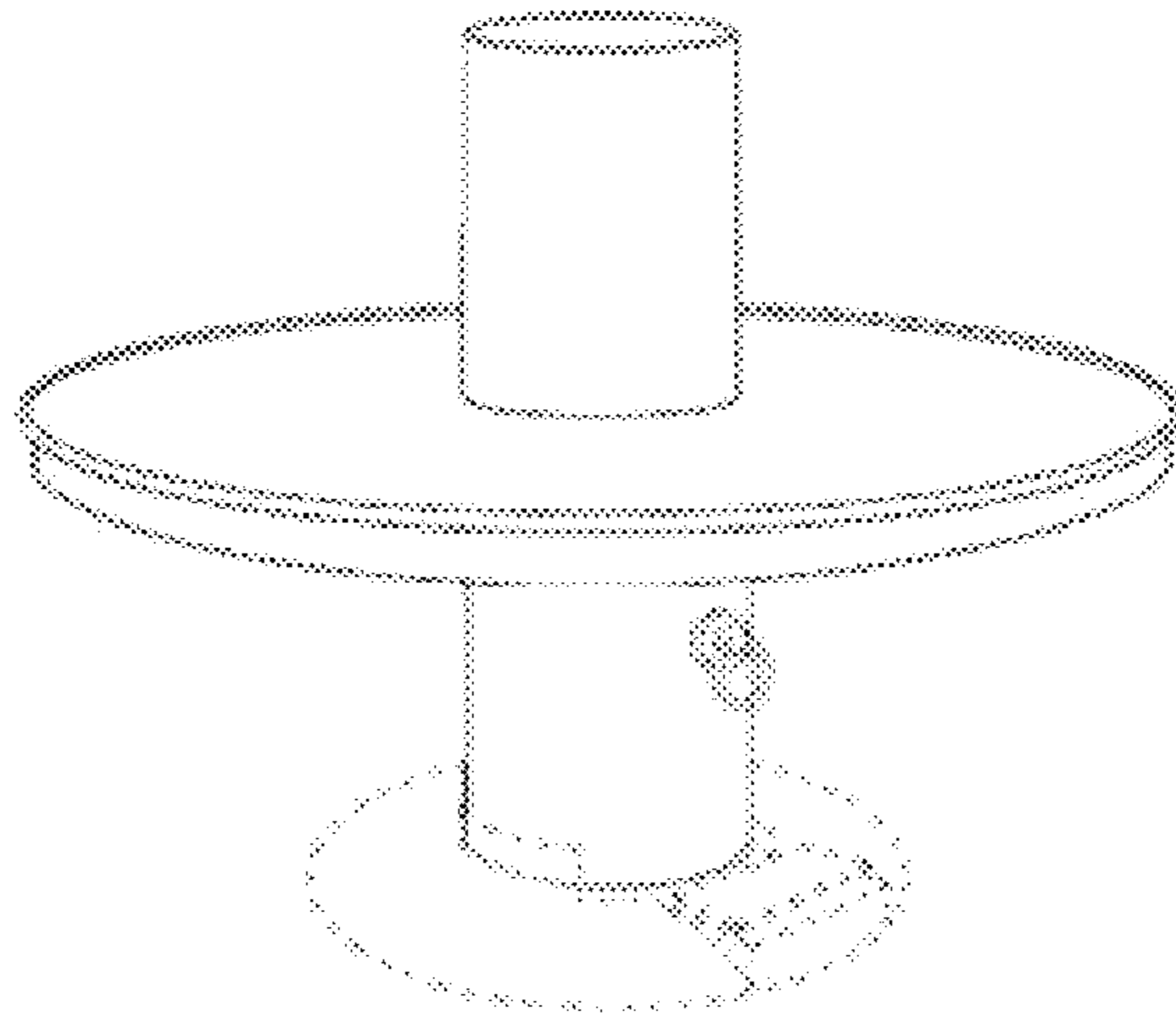


FIG. 1

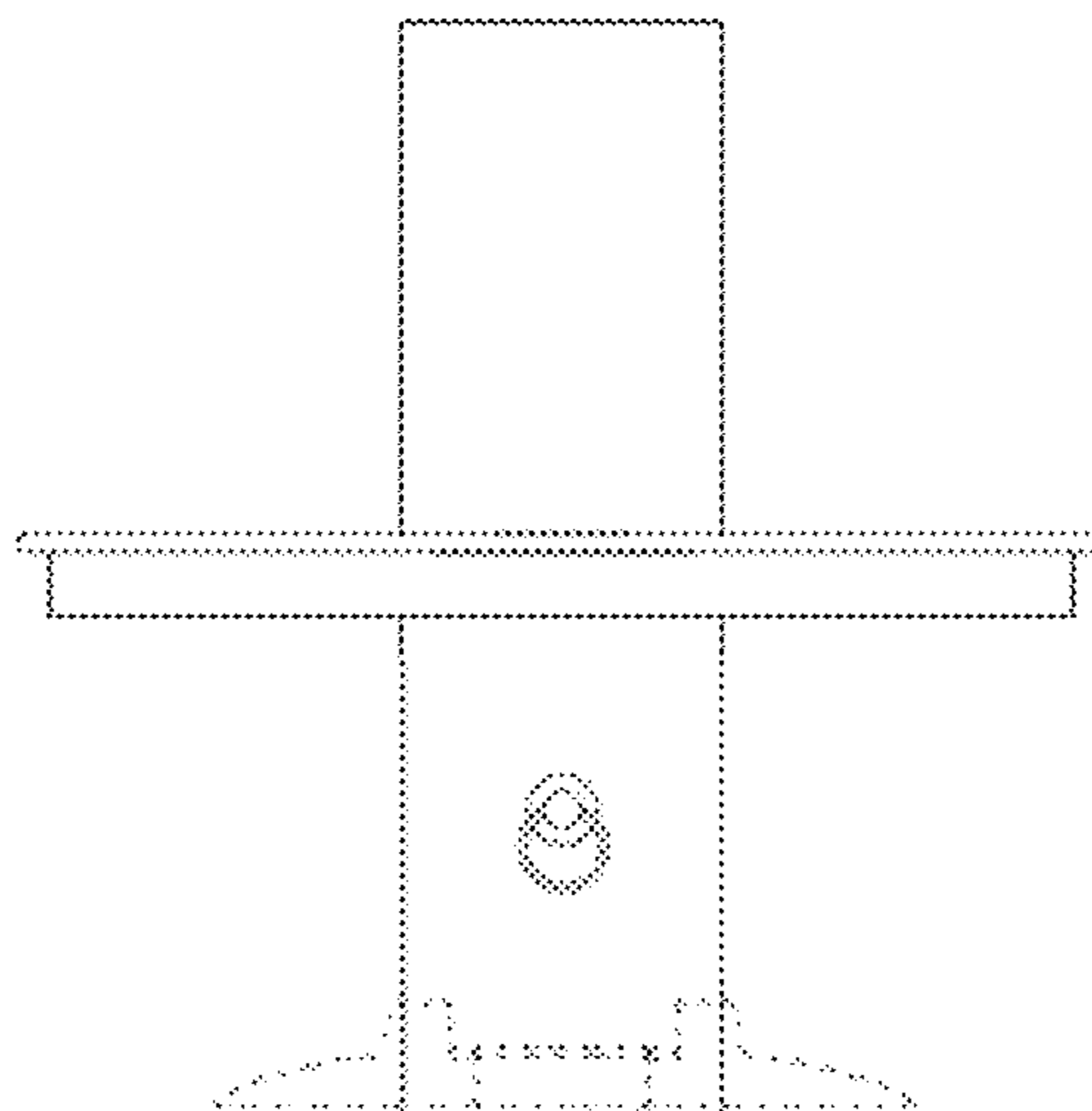


FIG. 2

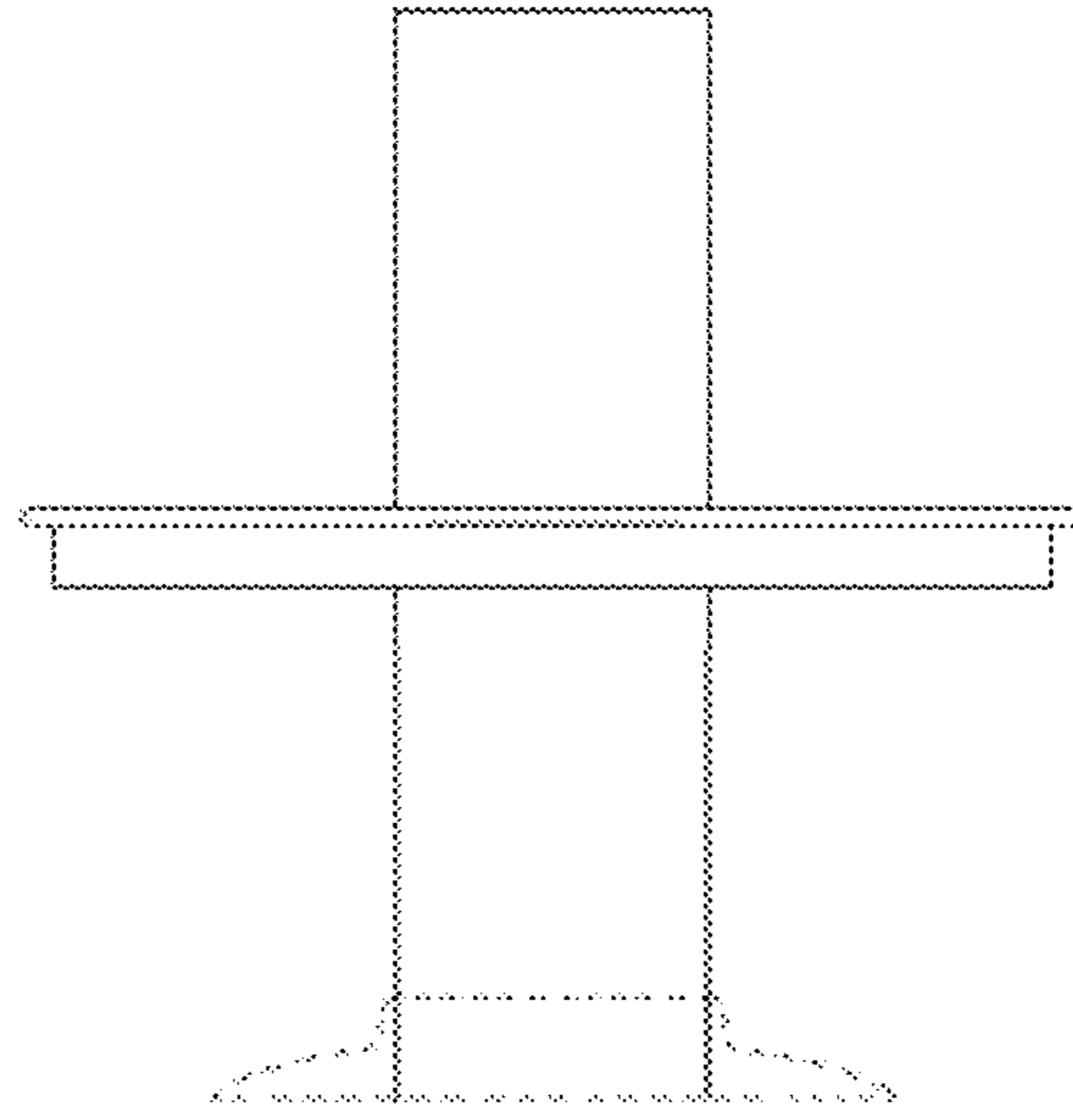


FIG. 3

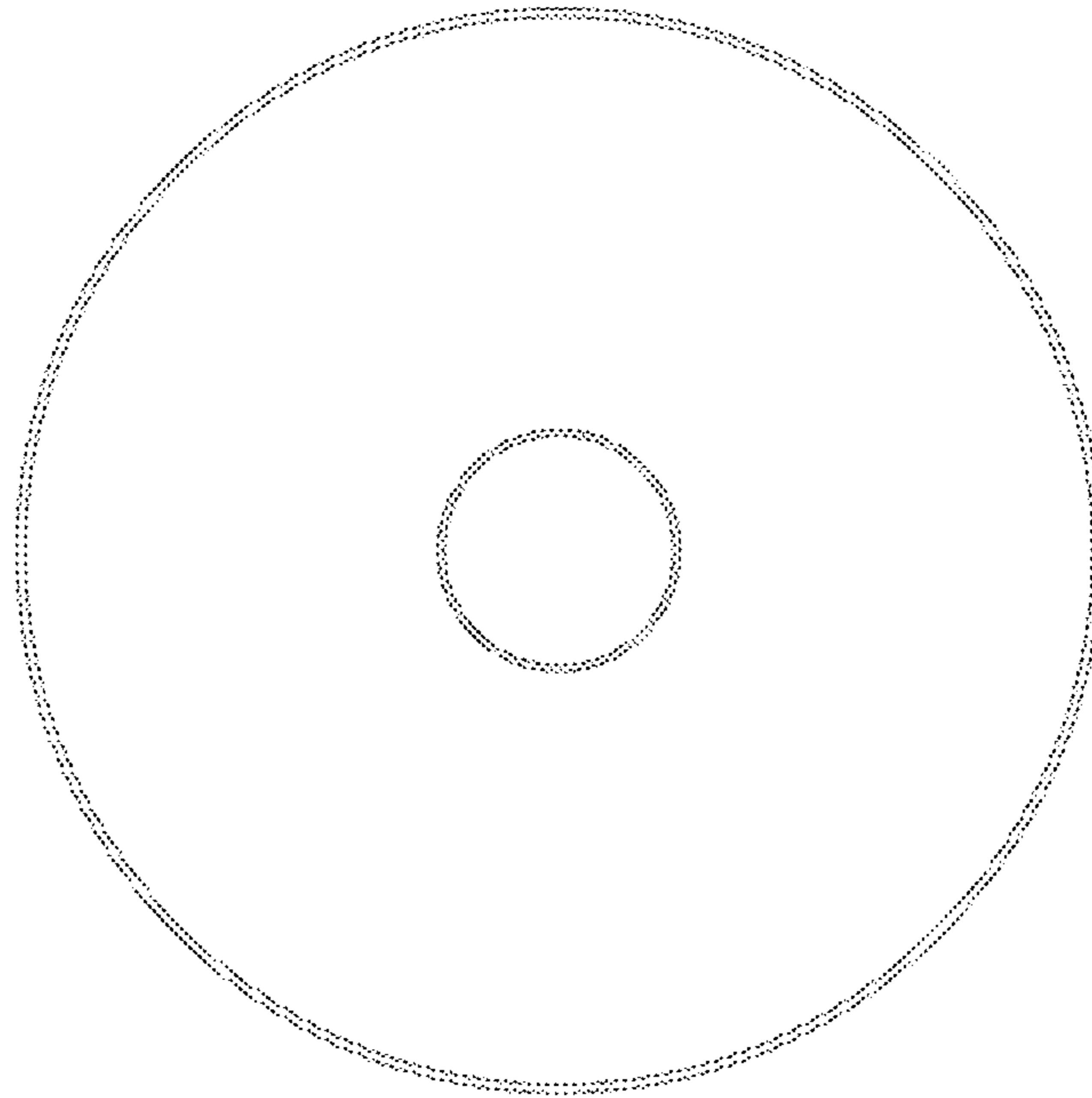


FIG. 4

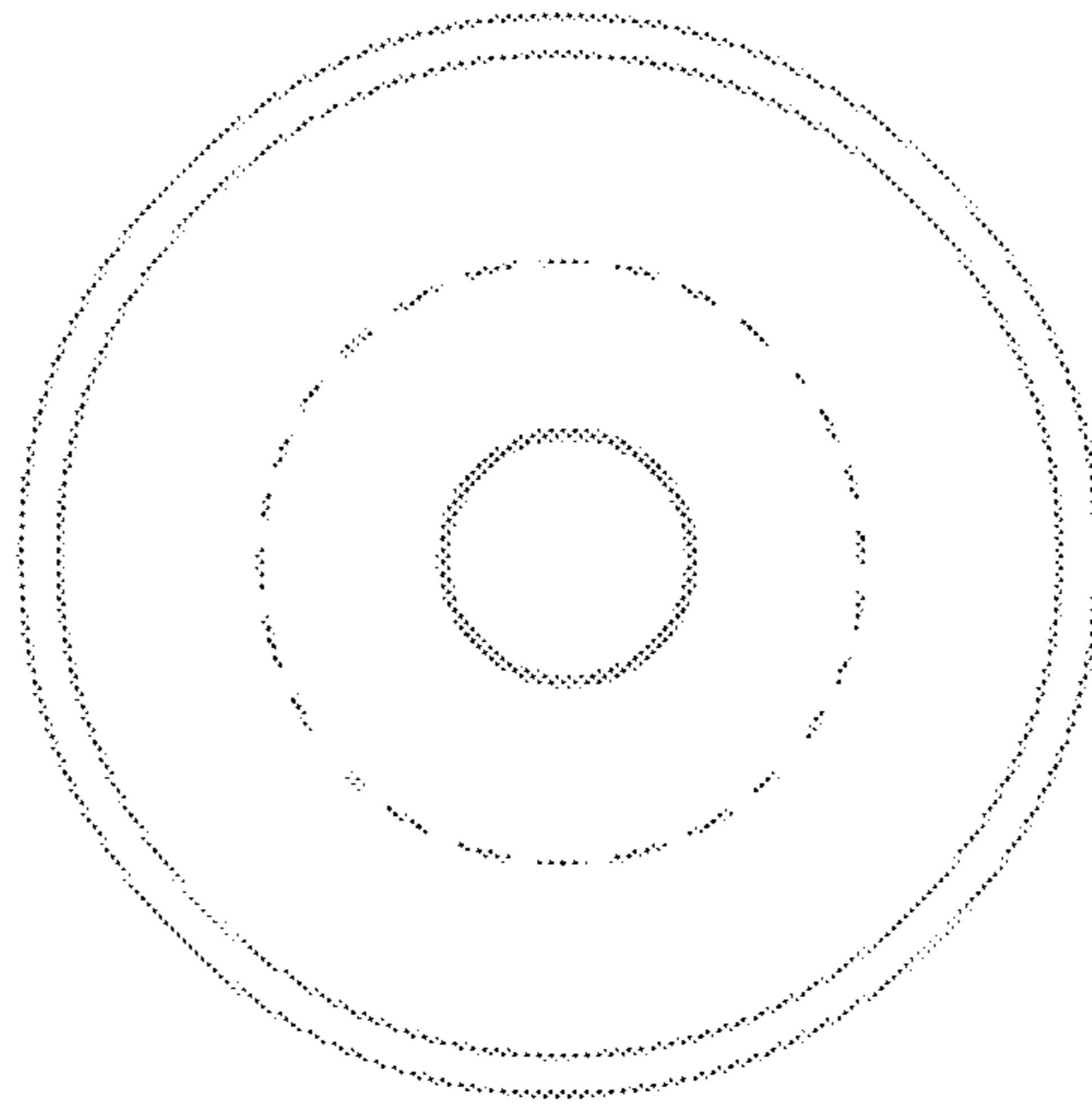


FIG. 5