

US00D960661S

(12) **United States Design Patent** (10) **Patent No.:** **US D960,661 S**
Seiders et al. (45) **Date of Patent:** **** Aug. 16, 2022**

(54) **BOTTLE** 3/08; A45C 11/20; A47G 19/22; A47G 19/2288; A47G 19/2205
(71) Applicant: **YETI Coolers, LLC**, Austin, TX (US) See application file for complete search history.

(72) Inventors: **Roy Joseph Seiders**, Austin, TX (US); **Matthew Joseph Petrillo**, Austin, TX (US); **Steve Charles Nichols**, Austin, TX (US)

(56) **References Cited**
U.S. PATENT DOCUMENTS
D109,331 S 4/1938 McManus et al.
D154,378 S 7/1949 Fuller
(Continued)

(73) Assignee: **YETI Coolers, LLC**, Austin, TX (US)

(**) Term: **15 Years**

FOREIGN PATENT DOCUMENTS

(21) Appl. No.: **29/807,849**

CN 300731684 1/2008
CN 301110494 1/2010
(Continued)

(22) Filed: **Sep. 15, 2021**

Related U.S. Application Data

(63) Continuation of application No. 29/755,727, filed on Oct. 22, 2020, now Pat. No. Des. 941,638, which is a continuation of application No. 29/717,542, filed on Dec. 18, 2019, now Pat. No. Des. 899,870, which is a continuation of application No. 29/656,789, filed on Jul. 16, 2018, now Pat. No. Des. 875,479, which is a continuation of application No. 29/618,672, filed on Sep. 22, 2017, now Pat. No. Des. 823,069, which is a continuation of application No. 29/605,434, filed on
(Continued)

OTHER PUBLICATIONS

United States District Court Southern District of Texas, Houston Division, "Complaint", *YETI Coolers, LLC v. Igloo Products Corporation*, Case 4:21-cv-03203, filed Oct. 1, 2021, 54 pages.
(Continued)

(51) **LOC (13) Cl.** **07-01**

(52) **U.S. Cl.**
USPC **D7/608**

(58) **Field of Classification Search**
USPC D7/603–608, 509–511; D9/500–505, D9/443, 516, 532, 522, 558
CPC B65D 81/3837; B65D 81/3839; B65D 81/3841; B65D 81/3844; B65D 81/3846; B65D 81/3869; B65D 81/3881; B65D 81/3876; A47J 41/0005; A47J 41/0083; A47J 41/02; A47J 41/024; A47J 41/026; A47J 41/028; A47J 41/0077; A47J 41/00; A47J 41/022; F25D 2331/803; F25D

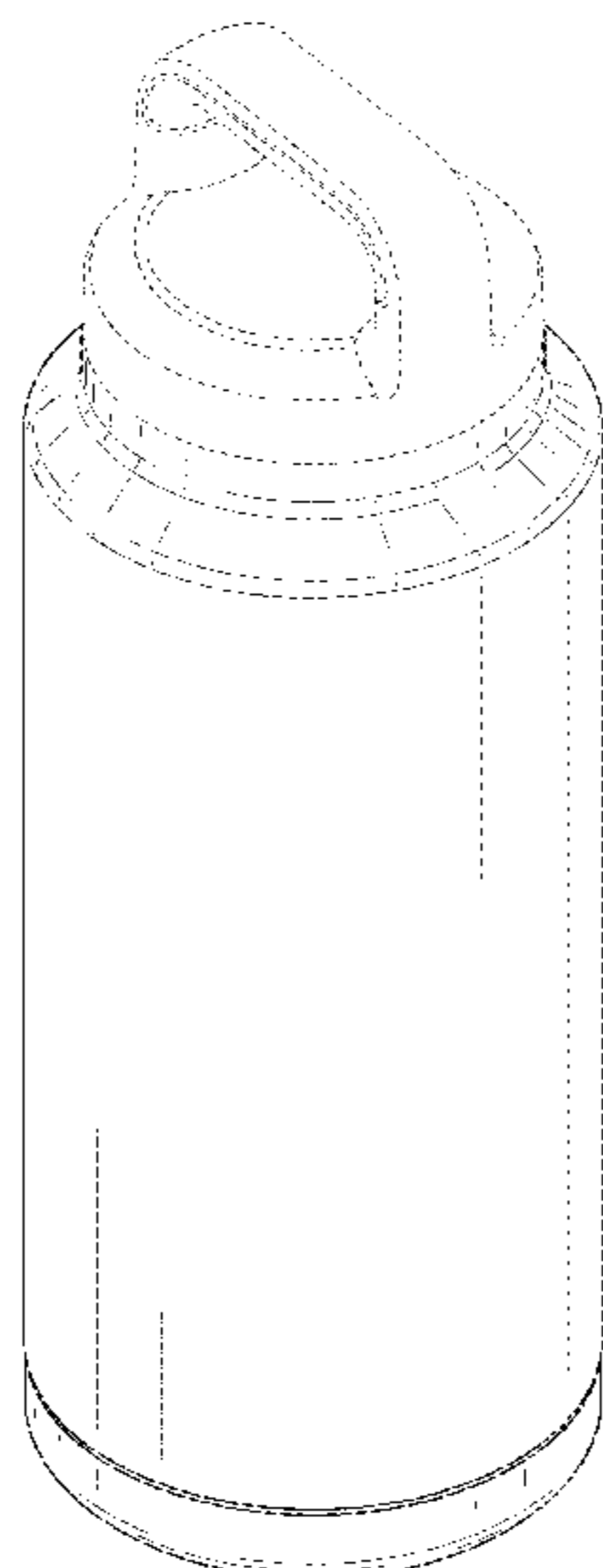
Primary Examiner — Terry A Wallace
(74) *Attorney, Agent, or Firm* — Banner & Witcoff, Ltd.

(57) **CLAIM**
The ornamental design for a bottle, as shown and described.

DESCRIPTION

FIG. 1 is a top, front, right perspective view of a bottle showing our new design;
FIG. 2 is a front view thereof, where the rear view is mirror image of FIG. 2;
FIG. 3 is a right side view thereof, where the left side view is a mirror image of FIG. 3;
FIG. 4 is a top view thereof; and,
FIG. 5 is a bottom view thereof.
The broken lines depicting the remainder of the bottle show features that form no part of the claimed design.

1 Claim, 3 Drawing Sheets



Related U.S. Application Data

May 25, 2017, now Pat. No. Des. 799,906, which is a continuation of application No. 29/544,208, filed on Oct. 30, 2015, now Pat. No. Des. 804,256.

(56)

References Cited

U.S. PATENT DOCUMENTS

D177,761 S 5/1956 Reinhardt
 2,963,187 A * 12/1960 Bramming A47J 41/02
 215/12.1
 3,089,603 A 5/1963 Leslie-Smith
 D224,646 S 8/1972 Vollquartz
 D235,303 S 6/1975 Boucher
 D256,651 S 9/1980 Leung et al.
 D279,346 S * 6/1985 Ruxton D7/321
 D281,567 S 12/1985 Zimmermann
 D286,604 S 11/1986 Bierlein et al.
 D286,847 S 11/1986 Zimmermann
 D287,211 S 12/1986 Weiss
 D316,371 S 4/1991 Vola
 D321,628 S * 11/1991 Kobayashi D9/503
 D332,379 S 1/1993 Murphy
 D347,359 S 5/1994 Robbins, III
 D354,915 S 1/1995 Schneider et al.
 D368,224 S 3/1996 Arndt
 D369,525 S 5/1996 Winters
 D396,191 S 7/1998 Kuzma et al.
 D398,193 S 9/1998 Sanchez
 D405,650 S 2/1999 Meier
 D415,395 S 10/1999 Hunt et al.
 D417,127 S 11/1999 Steadward et al.
 D422,916 S 4/2000 Herrmann
 6,332,557 B1 * 12/2001 Moran A47J 41/0083
 220/592.27
 D456,669 S 5/2002 Munari
 D458,133 S 6/2002 Berish et al.
 D458,134 S 6/2002 Berish et al.
 D466,814 S 12/2002 Hurlburt
 D479,800 S 9/2003 McRae
 D482,607 S 11/2003 McRae
 D494,425 S 8/2004 Segura
 D524,909 S 7/2006 Bakke et al.
 D525,518 S 7/2006 Baldwin
 D533,032 S 12/2006 Liu et al.
 D535,151 S 1/2007 Seum et al.
 D536,929 S * 2/2007 Kingsley D7/510
 D548,082 S * 8/2007 Kingsley D9/500
 D553,914 S 10/2007 Wahl
 D554,000 S 10/2007 Walsh
 D564,363 S 3/2008 Rhea
 D572,585 S 7/2008 Perrin et al.
 D584,623 S 1/2009 Chupak
 D586,184 S 2/2009 Miller et al.
 D587,533 S 3/2009 Carreno
 D592,909 S 5/2009 Alviar et al.
 D596,460 S 7/2009 Nezu
 D601,436 S 10/2009 Stephens et al.
 D603,331 S 11/2009 Schupp
 D603,722 S 11/2009 Reimer
 D604,181 S 11/2009 Reimer
 D604,561 S 11/2009 Chisholm
 D605,040 S 12/2009 Fry et al.
 D605,060 S 12/2009 Reimer
 D611,346 S 3/2010 Camomile
 D612,235 S 3/2010 Cresswell et al.
 D614,918 S 5/2010 Chisholm
 D615,360 S 5/2010 Joy et al.
 D615,816 S 5/2010 Joy et al.
 D616,703 S 6/2010 Joy et al.
 D616,743 S 6/2010 Cresswell et al.
 D616,744 S 6/2010 Cresswell et al.
 D619,457 S 7/2010 Walsh
 D619,458 S 7/2010 Walsh
 D619,459 S 7/2010 Walsh
 D620,798 S 8/2010 Cresswell et al.
 D621,257 S 8/2010 Gullickson et al.

D621,258 S 8/2010 Gullickson et al.
 D622,089 S 8/2010 Daniel et al.
 D622,145 S 8/2010 Walsh
 D623,475 S 9/2010 Aarnoudse et al.
 D623,896 S 9/2010 Wahl et al.
 D625,560 S * 10/2010 Olson D7/300.1
 D625,563 S 10/2010 He
 D625,564 S 10/2010 He
 D625,616 S 10/2010 Gogola et al.
 D626,414 S 11/2010 Cresswell et al.
 D626,416 S 11/2010 Cresswell et al.
 D627,601 S 11/2010 Eyal
 D627,602 S 11/2010 Eyal
 D627,604 S 11/2010 Eyal
 D628,486 S 12/2010 Lane
 D629,689 S 12/2010 Cresswell et al.
 D629,690 S 12/2010 Cresswell et al.
 D629,691 S 12/2010 Cresswell et al.
 D630,474 S 1/2011 Gilbert
 D630,475 S 1/2011 Lu
 D631,666 S 2/2011 Lim et al.
 D632,522 S 2/2011 Wahl et al.
 D633,338 S 3/2011 Rosbach et al.
 D633,794 S 3/2011 Cresswell et al.
 D633,795 S 3/2011 Cresswell et al.
 D633,796 S 3/2011 Cresswell et al.
 D633,797 S 3/2011 Cresswell et al.
 D635,457 S * 4/2011 Lane D9/503
 D635,856 S 4/2011 Lauret
 D638,695 S 5/2011 Woodrow et al.
 D638,708 S 5/2011 Walsh
 D639,164 S 6/2011 Walsh
 D639,166 S 6/2011 Carreno
 D639,661 S 6/2011 Llerena
 D639,663 S 6/2011 Llerena
 D641,591 S 7/2011 Tsukida
 D651,847 S 1/2012 Gilbert
 D652,255 S 1/2012 Carland
 D652,682 S 1/2012 Eyal
 D654,762 S 2/2012 Gilbert
 D655,134 S 3/2012 Gilbert
 D655,581 S 3/2012 Kotani
 D657,196 S 4/2012 Beyers, III
 D658,064 S 4/2012 Barnes et al.
 D658,445 S 5/2012 Carreno
 D659,007 S 5/2012 Pape
 D660,084 S 5/2012 Gilbert
 D662,360 S * 6/2012 George D7/510
 8,215,511 B1 7/2012 Lin
 D664,809 S 8/2012 Eyal
 D665,621 S 8/2012 Eyal
 D668,913 S * 10/2012 Mayer D7/510
 D670,137 S 11/2012 Gilbert
 D672,238 S 12/2012 Aziz et al.
 D672,609 S 12/2012 Aziz et al.
 D675,100 S 1/2013 Herbst
 D676,764 S 2/2013 Moore et al.
 D678,772 S 3/2013 Johnson et al.
 D680,389 S 4/2013 Zemel et al.
 D680,431 S 4/2013 Hopkins et al.
 D684,059 S 6/2013 Johnson et al.
 D686,078 S 7/2013 Johnson et al.
 D688,093 S 8/2013 Roth et al.
 D693,698 S 11/2013 Miller, Jr.
 D695,138 S 12/2013 Ball
 D696,945 S 1/2014 Newman
 D697,404 S 1/2014 Johnson et al.
 D698,668 S 2/2014 Vaughn
 D701,464 S 3/2014 Ogata et al.
 D702,092 S 4/2014 Mettler et al.
 D702,506 S 4/2014 Mettler et al.
 D708,954 S * 7/2014 Barnes D9/504
 D709,734 S 7/2014 Kotani
 D712,254 S 9/2014 Geis et al.
 D712,255 S 9/2014 Geis et al.
 D713,268 S 9/2014 Jones et al.
 D713,365 S 9/2014 Green
 D717,102 S 11/2014 Taketani et al.
 D724,385 S * 3/2015 Hurley D7/511

(56)

References Cited

U.S. PATENT DOCUMENTS

D725,968	S	4/2015	George	
D728,315	S	5/2015	Bo	
D728,995	S	5/2015	Barberi	
D729,579	S *	5/2015	Molayem	D7/510
D729,584	S	5/2015	Weston et al.	
D732,402	S	6/2015	Jones et al.	
D734,154	S	7/2015	Johnson et al.	
D735,578	S	8/2015	Mazurkiewicz et al.	
D741,655	S	10/2015	Whelan et al.	
D743,742	S	11/2015	Rummel et al.	
D744,781	S	12/2015	Rummel et al.	
D754,472	S	4/2016	Munari	
D758,859	S	6/2016	Sorensen et al.	
D760,586	S	7/2016	Seiders et al.	
D780,577	S	3/2017	Seiders et al.	
D781,145	S	3/2017	Seiders et al.	
D781,146	S	3/2017	Seiders et al.	
D782,881	S	4/2017	Seiders et al.	
D783,367	S	4/2017	Seiders et al.	
D783,368	S	4/2017	Seiders et al.	
D788,544	S	6/2017	Seiders et al.	
D790,285	S	6/2017	Seiders et al.	
D794,397	S	8/2017	Seiders et al.	
D795,020	S	8/2017	Seiders et al.	
D799,898	S	10/2017	Yao	
D799,907	S	10/2017	Seiders et al.	
D803,005	S	11/2017	Lane	
D804,255	S	12/2017	Seiders et al.	
D804,256	S	12/2017	Seiders et al.	
D805,852	S	12/2017	Seiders et al.	
D807,125	S	1/2018	Seiders et al.	
D807,126	S	1/2018	Seiders et al.	
D808,713	S	1/2018	Rane et al.	
D808,731	S	1/2018	Boroski et al.	
D808,732	S	1/2018	Boroski	
D809,344	S	2/2018	Guthrie	
2011/0186585	A1	8/2011	Lu	
2014/0353275	A1	12/2014	Hung	
2017/0119212	A1	5/2017	Petrillo et al.	

FOREIGN PATENT DOCUMENTS

CN	301801861	S	1/2012
CN	301964464	S	6/2012
CN	301990728	S	7/2012
CN	303009846	S	11/2014
CN	203987709	U	12/2014
CN	303344737	S	8/2015
CN	303374336	S	9/2015
CN	303528321		12/2015
CN	303823421	S	8/2016
CN	303905254		11/2016
DE	29707837	U1	7/1997
EP	2567909	A1	3/2013
JP	D1446118		7/2012
JP	D1489966		2/2014
JP	2014210613	A	11/2014
JP	1530358	S	8/2015
KR	300303813.0000		8/2002
KR	300764889.0000		10/2014
KR	300888536.0000		1/2017
WO	D088688-002		1/2016

OTHER PUBLICATIONS

“64 oz Double-Wall Vacuum-Insulated Growler” published on Nov. 14, 2014, retrieved from https://web.archive.org/web/*/http://www.fiftyfiftybottles.com/64oz-growler/ on Sep. 22, 2016.

“Hydro Flask Insulated Stainless Steel Water Bottle” published on Dec. 29, 2014, retrieved from http://web.archive.org/web/*/https://www.amazon.com/dp/B004X55L9I/ref=twister_B00GA03LG4?_encoding=UTF8&psc=1 on Sep. 22, 2016.

“Eco Vessel 64 ounce Growler” published on Jan. 28, 2015, retrieved from http://web.archive.org/web/*/http://www.snewsnet.com/press-release/eco-vessel-launches-the-boss-insulated-growler/ on Sep. 22, 2016.

“Classic Vacuum Bottle—1.1 qt,” published on Feb. 22, 2015, retrieved from http://www.amazon.com/Stanley-Classic-Vacuum-Bottle-1-1qt/dp/images/B004E7NY3U/ref=dp_image_1_0?ie=UTF8&s=sporing-goods&img=color_name=1.

“UA Beyond 18 oz. Vacuum Insulated Water Bottle” published on Mar. 29, 2015, retrieved from http://web.archive.org/web/*/https://www.underarmour.com/en-us/beyond-18-oz-vacuum-insulated-ss-bottle-with-flip-top-lid/pid1232014 on Sep. 22, 2016.

“KB8 20 oz. Double Wall Stainless Bottle,” published on May 22, 2015, retrieved from <https://web.archive.org/web/20150807054814/http://thermo-steel.com/work/keen-kb8> on Sep. 27, 2016.

“2015 BOULDER Insulated Water Bottle with Tea, Fruit, Ice Strainer” published on Jun. 28, 2015, retrieved from http://web.archive.org/web/*/http://www.ecovessel.com/boulder-insulated-water-bottle-with-tea-fruit-ice-strainer-20-oz/ on Sep. 2022.

“Klean Kanteen Insulated Classic with Polypropylene” published on Jul. 7, 2015, retrieved from http://web.archive.org/web/*/https://www.lifewithoutplastic.com/store/klean-kanteen-insulated-classic-with-polypropylene-loop-cap-0-95-1-32-oz.html on Sep. 22, 2016.

KOLD Vacuum Insulated Stainless Steel Sports Bottle: Announced Dec. 8, 2015 [online], site visited [May 11, 2016]. Available from Internet URL: <http://www.amazon.com/KOLD-Sports-Water-Bottles-Insulated/dp/B018YH K79E/ref=cm>.

YETI 36 oz. Rambler: Announced Jan. 11, 2016 [online], site visited [May 10, 2016]. Available from Internet URL: <http://yeticoolers.com/rambler-bottle-36-oz/>.

United States District Court Western District of Texas Austin Division, “Complaint for Damages and Injunctive Relief,” *YETI Coolers, LLC v. RTIC Coolers, LLC, RTIC Drinkware, LLC and RTIC Web Services, LLC*, Case: 1:16-cv-00985, Document #1, filed Aug. 18, 2016, 27 pages.

English translation of Office Action dated Sep. 6, 2016 for JP Application No. 2016-9603, 4 pages.

English translation of Office Action dated Sep. 6, 2016 for JP Application No. 2016-9604, 3 pages.

United States District Court Western District of Texas Austin Division, “Defendants’ Motion to Dismiss Pursuant to Rule 12(b)(6),” *YETI Coolers, LLC v. RTIC Coolers, LLC, RTIC Drinkware, LLC and RTIC Web Services, LLC*, Case: 1:16-cv-00985, Document 9, filed Sep. 23, 2016, 27 pages.

English translation of Office Action dated Oct. 4, 2016 for JP Application No. 2016-9607, 2 pages.

English translation of Office Action dated Oct. 4, 2016 for JP Application No. 2016-9608, 2 pages.

United States District Court Western District of Texas Austin Division, “Plaintiffs’ First Amended Complaint,” *YETI Coolers, LLC v. RTIC Coolers, LLC, RTIC Drinkware, LLC, and RTIC Web Services, LLC*, Case 1:16-cv-00985-RP, Document 15, filed Oct. 14, 2016, 26 pages.

United States District Court Western District of Texas Austin Division, “Defendants’ Notice of Responsive Pleading to Plaintiffs First Amended Complaint,” *YETI Coolers, LLC v. RTIC Coolers, LLC, RTIC Drinkware, LLC, and RTIC Web Services, LLC*, Case 1:16-cv-00985-RP, Document 23, filed Oct. 26, 2016, 4 pages.

English translation of Office Action dated Nov. 1, 2016 for JP Application No. 2016-9605, 2 pages.

English translation of Office Action dated Nov. 1, 2016 for JP Application No. 2016-9606, 2 pages.

Feb. 6, 2017—(WO) International Search Report and Written Opinion—App No. PCT/US2016/059481—12 pages.

United States District Court Western District of Texas Austin Division, “Plaintiff YETI Coolers, LLC’s Original Complaint,” *YETI Coolers, LLC v. Ontel Products Corporation and World Pack USA, LLC*, Case: 1:17-cv-00091-RP, Document #1, filed Feb. 8, 2017, 65 pages.

United States District Court Western District of Texas Austin Division, “Defendants’ Answers and Defenses to Plaintiffs Original Complaint,” *YETI Coolers, LLC v. Ontel Products Corporation and World Pack USA, LLC*, Case: 1:17-cv-00091-RP, Document #14, filed Mar. 21, 2017, 45 pages.

(56)

References Cited

OTHER PUBLICATIONS

English Translation of Office Action dated Apr. 4, 2017 for JP Application No. 2016-9605, 11 pages.

English Translation of Office Action dated Apr. 4, 2017 for JP Application No. 2016-9606, 10 pages.

United States District Court Western District of Texas Austin Division, "Plaintiffs' Complaint for Damages and Injunctive Relief," *YETI Coolers, LLC v. Houssam Rabi d/b/a Hoo-Sizzy*, Case 1:17-cv-00418, Document 1, filed May 5, 2017, 84 pages.

United States District Court Western District of Texas Austin Division, "Plaintiffs' Complaint for Damages and Injunctive Relief," *YETI Coolers, LLC v. Seth Stevens d/b/a SDS Marketing d/b/a Eskimo Coolers, Panther Group LLC d/b/a Eskimo Coolers, Panther Group Sales, LLC d/b/a Eskimo Coolers, and Silver Fox Sales, LLC*, Case 1:17-cv-00423, Document 1, filed May 5, 2017, 283 pages.

United States District Court Western District of Texas Austin Division, "Second Amended Complaint," *YETI Coolers, LLC v. Sam's West, Inc., and Sam's East, Inc., and CY Top, Ltd.*, Case: 1:16-cv-00829-RP, Document #51, filed Sep. 22, 2017, 49 pages.

United States District Court Western District of Texas Austin Division, "Complaint," *YETI Coolers, LLC v. Costco Wholesale Corporation*, Case: 1:17-cv-07025, Document #1, filed Sep. 28, 2017, 99 pages.

United States District Court Western District of Texas Austin Division, "Complaint," *YETI Coolers, LLC v. Alibaba Group Holding Limited, Alibaba (China) Technology Co., Ltd., Alibaba.com Hong Kong Limited, Alibaba.com Singapore E-Commerce Private*

Limited, Hangzhou Alibaba Advertising Co Ltd., and Huizhou Dashu Trading Co., Ltd., Case: 1:17-cv-00936, Document #1, filed Sep. 28, 2017, 272 pages.

United States District Court Western District of Texas Austin Division, "Complaint," *YETI Coolers, LLC v. ContextLogic, Inc. d/b/a Wish.com*, Case: 1:17-cv-00937, Document #1, filed Sep. 28, 2017, 238 pages.

United States District Court Western District of Texas Austin Division, "Complaint," *YETI Coolers, LLC v. Dunhuang Group, SZ Flowerfairy Technology Co., Ltd., Tan Er Pa Technology Co., Ltd., Shenzhen Great Electronic Technology Do., Ltd., and Huagong Trading Co.*, Case: 1:17-cv-00938, Document #1, filed Sep. 28, 2017, 272 pages.

United States International Trade Commission of Washington, DC, "Complaint Under Section 337 of the Tariff Act of 1930, as Amended," *YETI Coolers, LLC vs. Alibaba (China) Technology Co., Ltd., Alibaba Group Holding Limited, Alibaba.com Hong Kong Limited, Alibaba.com Singapore E-Commerce Private Limited, Bonanza.com, Inc., ContextLogic, Inc. d/b/a Wish, Dunhuang Group, Hangzhou Alibaba Advertising Co. Ltd., Huizhou Dashu Trading Co., Ltd., Huagong Trading Co., and Tan Er Pa Technology Co., Ltd.*, filed Sep. 28, 2017, 191 pages.

United States District Court Western District of Texas Austin Division, "Complaint," *YETI Coolers, LLC v. SF Associates, Inc.*, Case: 1:17-cv-01070, Document #1, filed Nov. 10, 2017, 39 pages.

United States International Trade Commission Washington, DC, Respondents Alibaba, Dunhuang Group, and Bonanza.com's "Notice of Prior Art", Inv. No. 33-TA-1084 dated Feb. 9, 2018, 8 pages.

Jan. 29, 2021 (CN) Chinese Evaluation Report app No. 201630164049.0.

* cited by examiner

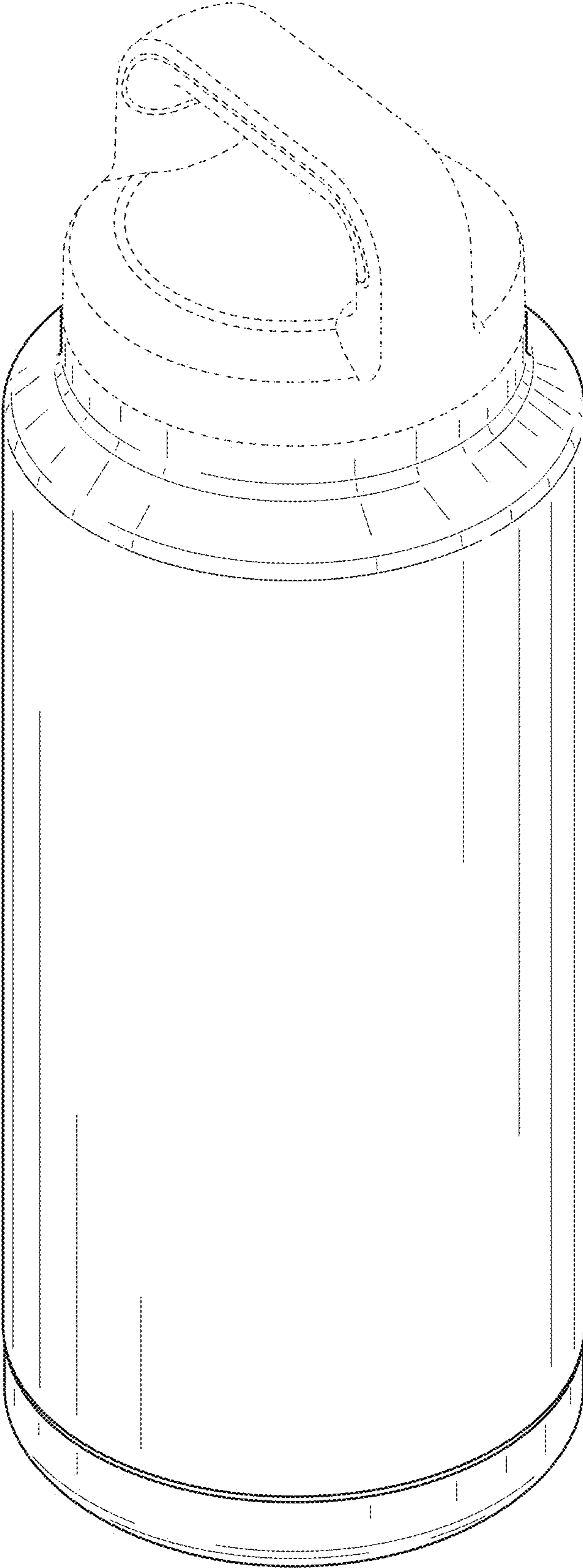


FIG. 1

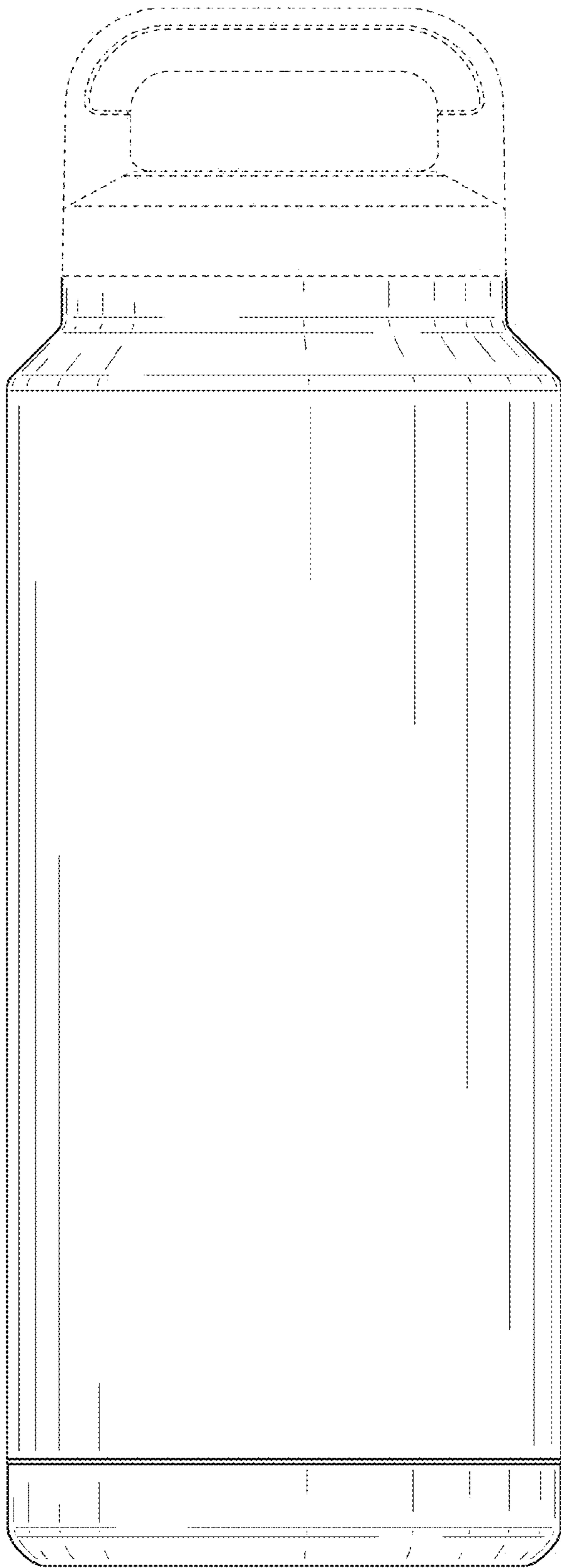


FIG. 2

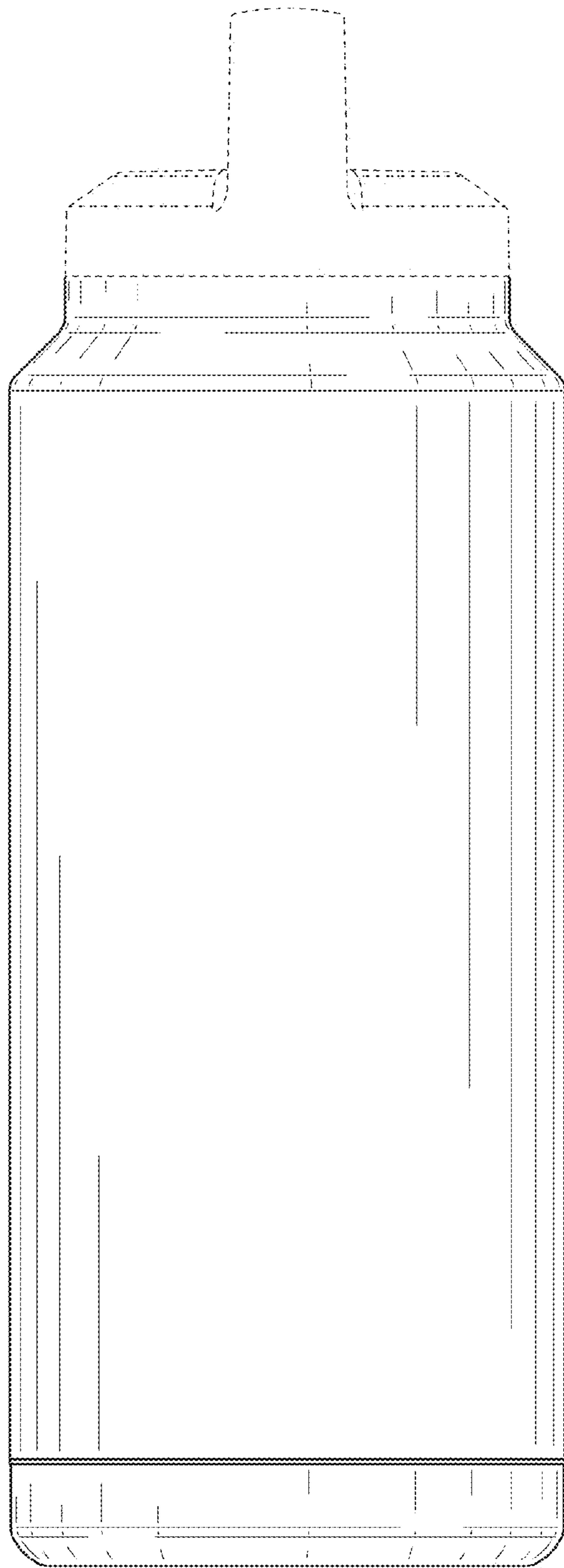


FIG. 3

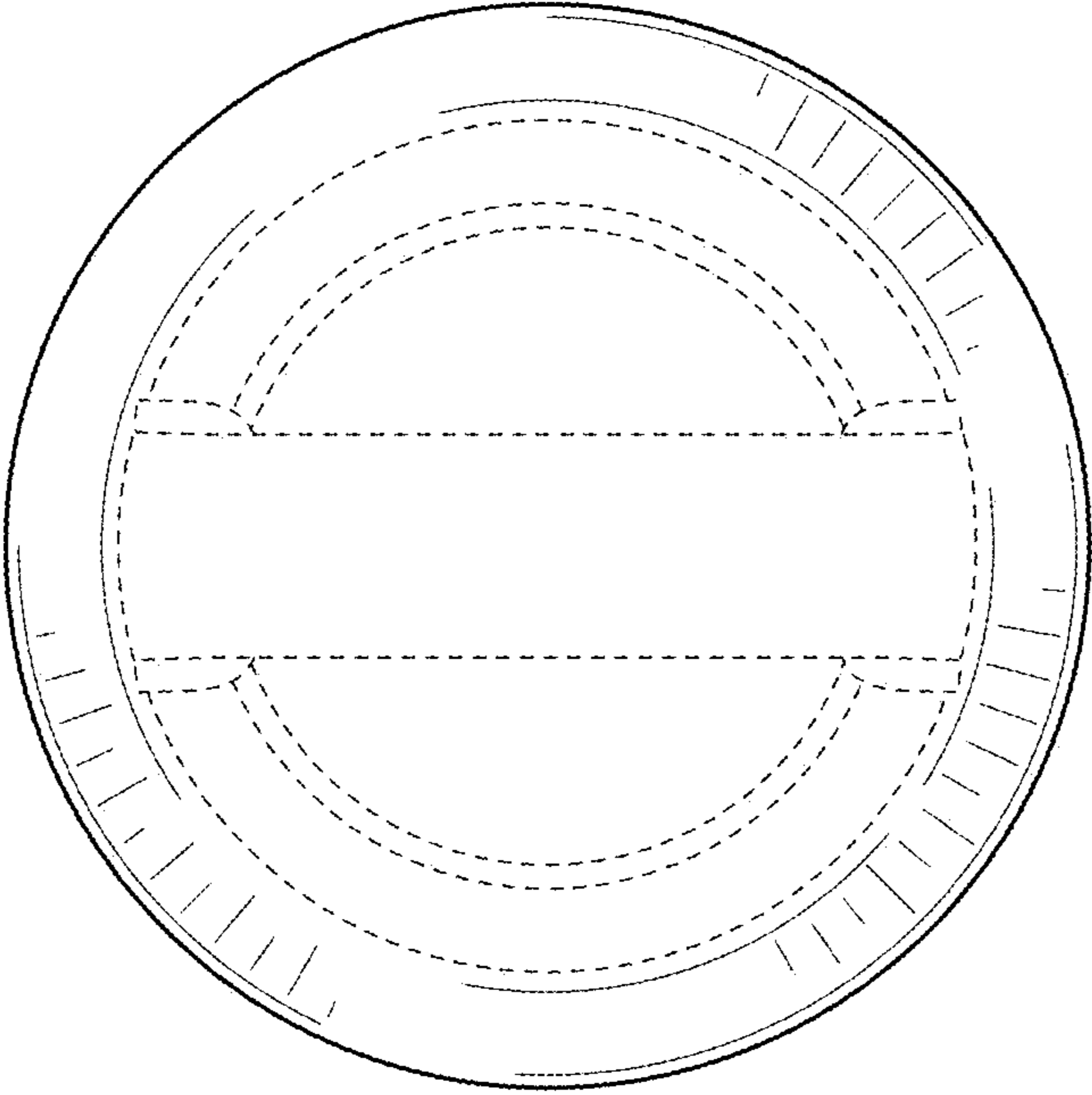


FIG. 4

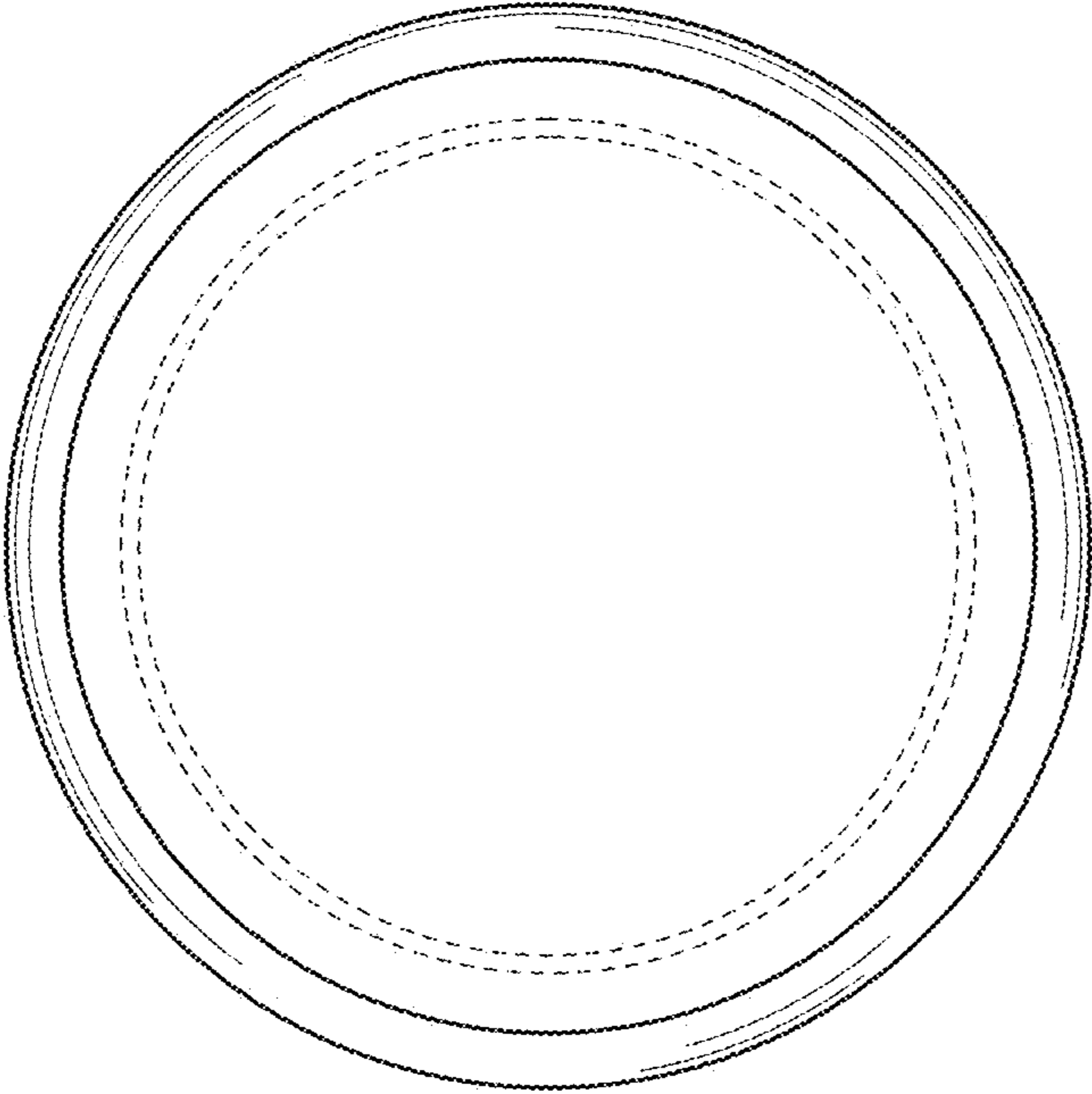


FIG. 5