

US00D960660S

(12) **United States Design Patent** (10) **Patent No.:** **US D960,660 S**
Seiders et al. (45) **Date of Patent:** **** Aug. 16, 2022**

- (54) **JUG**
- (71) Applicant: **YETI Coolers, LLC**, Austin, TX (US)
- (72) Inventors: **Roy Joseph Seiders**, Austin, TX (US);
John Alan Tolman, Austin, TX (US);
Steve Charles Nichols, Austin, TX (US)
- (73) Assignee: **YETI Coolers, LLC**, Austin, TX (US)
- (**) Term: **15 Years**
- (21) Appl. No.: **29/807,733**
- (22) Filed: **Sep. 14, 2021**

Related U.S. Application Data

- (63) Continuation of application No. 29/756,142, filed on Oct. 26, 2020, now Pat. No. Des. 934,033, which is a continuation of application No. 29/725,024, filed on Feb. 21, 2020, now Pat. No. Des. 899,871, which is a continuation of application No. 29/658,518, filed on
(Continued)

- (51) **LOC (13) Cl.** **07-01**
- (52) **U.S. Cl.**
USPC **D7/608**
- (58) **Field of Classification Search**
USPC D7/603-608, 509-511; D9/500-505,
D9/443, 516, 532, 522, 558
CPC A47G 19/2205; A47G 19/2294; A47G
19/23; A47G 19/2272; A47G 19/22;
A47G 19/2288; F25D 3/08; F25D
2331/803; B65D 1/0215; B65D 81/3823;
B65D 81/3818; B65D 81/3846; B65D
81/3837; B65D 81/3839; B65D 81/3841;
B65D 81/3844; B65D 81/3869; B65D
81/3881; B65D 81/3876; A47J 41/02;
A47J 41/022; A47J 41/024; A47J 41/026;
A47J 41/028;

(Continued)

(56) **References Cited**

U.S. PATENT DOCUMENTS

- 1,477,936 A 12/1923 Bott
 - D101,575 S 10/1936 Windbiel
- (Continued)

FOREIGN PATENT DOCUMENTS

- AU 124127 S 7/1995
 - AU 2017280047 A1 1/2019
- (Continued)

OTHER PUBLICATIONS

Liquid Hardware, Insulated Aqua Silver Sidewinder Vacuum Bottle 20oz./592ml. Powder Coated in USA!, product description, retrieved from internet on Aug. 12, 2015, 3 pages.

(Continued)

Primary Examiner — Terry A Wallace

(74) *Attorney, Agent, or Firm* — Banner & Witcoff, Ltd.

(57) **CLAIM**

The ornamental design for a jug, as shown and described.

DESCRIPTION

FIG. 1 is a top, front, left perspective view of a jug showing our new design;

FIG. 2 is a front view thereof;

FIG. 3 is a rear view thereof;

FIG. 4 is a right side view thereof;

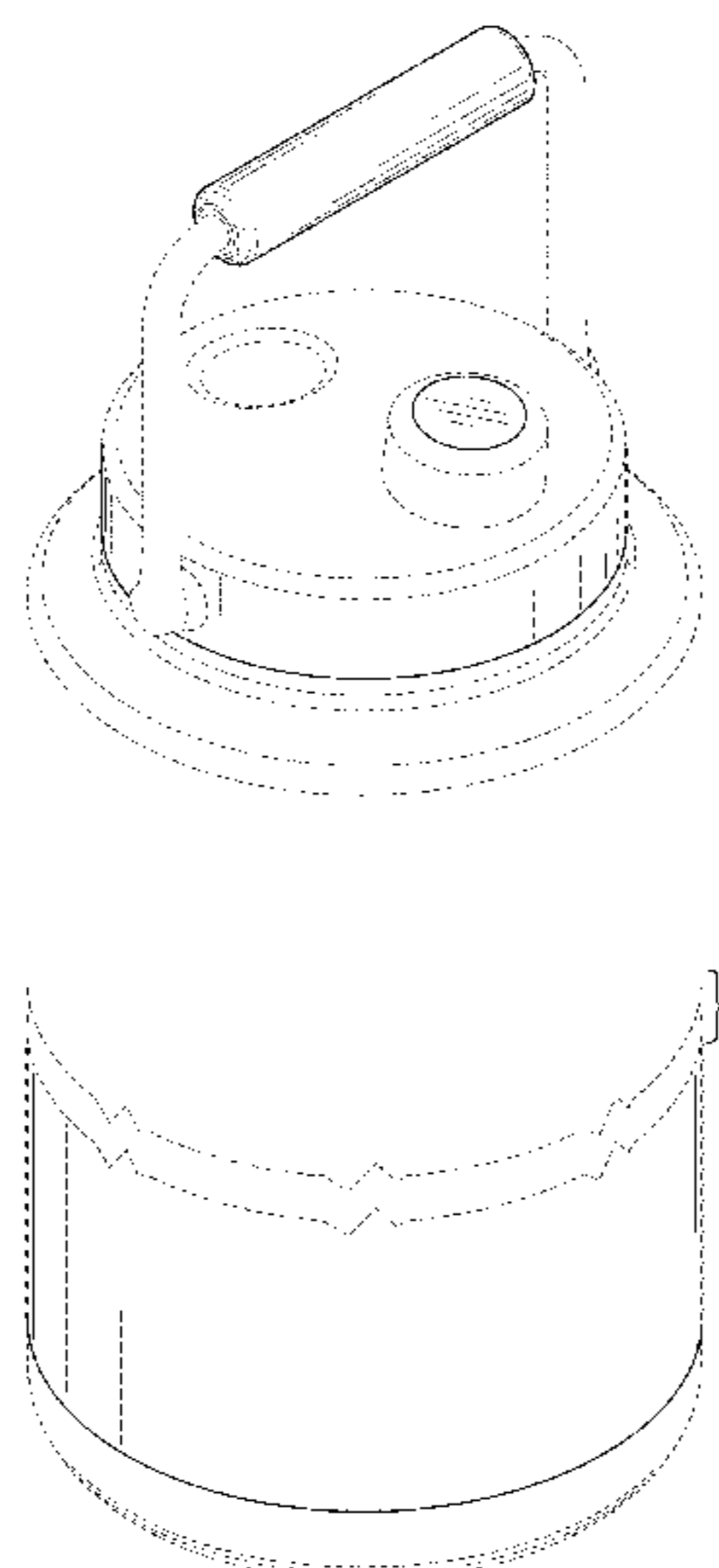
FIG. 5 is a left side view thereof;

FIG. 6 is a top view thereof; and,

FIG. 7 is a bottom view thereof.

The pairs of jagged broken lines are shown broken away to disclose indeterminate length, and the portions of the design that may be visible between such jagged lines have been removed for clarity. The remaining even-length broken lines are directed to environment only and do not form part of the claimed design.

1 Claim, 6 Drawing Sheets



Related U.S. Application Data

Jul. 31, 2018, now Pat. No. Des. 876,905, which is a continuation of application No. 29/605,807, filed on May 30, 2017, now Pat. No. Des. 824,217, which is a continuation of application No. 29/546,291, filed on Nov. 20, 2015, now Pat. No. Des. 787,893.

(58) **Field of Classification Search**

CPC A47J 41/00; A47J 41/0077; A47J 41/0005; A47J 41/0083; A45C 11/20

See application file for complete search history.

(56)

References Cited

U.S. PATENT DOCUMENTS

D109,331 S 4/1938 McManus et al.
 D154,378 S 7/1949 Fuller
 2,735,566 A 2/1956 Bramming
 D177,761 S 5/1956 Reinhardt
 2,804,103 A 8/1957 Wall
 2,881,776 A 4/1959 Wrage
 2,957,596 A 10/1960 Rehborg
 2,963,187 A 12/1960 Bramming
 3,089,603 A 5/1963 Leslie-Smith
 3,140,799 A 7/1964 Mehr
 3,141,586 A 7/1964 Wetterek
 3,220,695 A 11/1965 Downey et al.
 3,239,090 A 3/1966 Bramming
 3,249,268 A 5/1966 Neuner
 3,285,453 A 11/1966 Wagner
 3,307,752 A 3/1967 Anderson
 3,439,843 A 4/1969 Corsette
 3,456,840 A 7/1969 Mcalaster
 3,470,929 A 10/1969 Thornton
 3,592,349 A 7/1971 Baugh
 3,638,821 A 2/1972 Guala
 D224,646 S 8/1972 Vollquartz
 3,752,347 A 8/1973 Bell
 3,776,433 A 12/1973 De Treitas
 3,785,539 A 1/1974 Wetterek
 3,842,790 A 10/1974 Clark
 3,863,798 A 2/1975 Kurihara et al.
 3,874,541 A 4/1975 Lagneaux et al.
 D235,303 S 6/1975 Boucher
 D248,373 S * 7/1978 Allen D9/518
 4,190,173 A 2/1980 Mason et al.
 D256,651 S 9/1980 Leung et al.
 D262,856 S 2/1982 MacTavish et al.
 4,358,024 A 11/1982 Underwood
 4,497,422 A 2/1985 Klees
 D279,346 S 6/1985 Ruxton
 D281,567 S 12/1985 Zimmermann
 D286,604 S 11/1986 Bierlein et al.
 D286,847 S 11/1986 Zimmermann
 D287,211 S 12/1986 Weiss
 D289,614 S 5/1987 Sanchez et al.
 D292,492 S 10/1987 Ross et al.
 4,723,677 A 2/1988 Nagel, Jr.
 4,981,233 A 1/1991 Scheurer
 D321,628 S 11/1991 Kobayashi et al.
 D325,167 S 4/1992 Humfress
 5,105,975 A 4/1992 Patterson
 D329,809 S 9/1992 Bloomfield
 D332,379 S 1/1993 Murphy
 5,190,178 A 3/1993 Luch
 5,211,299 A 5/1993 Manfredonia
 5,232,112 A 8/1993 Howard
 5,249,703 A 10/1993 Karp
 5,251,788 A 10/1993 Moore
 D354,915 S 1/1995 Schneider et al.
 5,392,967 A 2/1995 Satomi et al.
 D361,265 S 8/1995 Doxey
 5,490,622 A 2/1996 Tardif
 D368,224 S 3/1996 Arndt
 5,498,333 A 3/1996 Canther
 D370,629 S 6/1996 Lynch

5,605,241 A 2/1997 Imperioli
 D384,280 S 9/1997 Kuczer
 D398,193 S 9/1998 Sanchez
 5,813,557 A 9/1998 Oratz
 5,839,611 A 11/1998 Obadia et al.
 D402,510 S 12/1998 Miller
 D405,642 S 2/1999 Toriba
 D405,650 S 2/1999 Meier
 D407,211 S 3/1999 Diviak, Sr.
 D407,273 S 3/1999 Moran
 D410,175 S 5/1999 Moran
 5,909,820 A 6/1999 Yeh
 D415,395 S 10/1999 Hunt et al.
 D415,936 S 11/1999 Moran
 D422,916 S 4/2000 Herrmann
 D423,300 S 4/2000 Matsuyama et al.
 D427,021 S 6/2000 Moran
 6,079,589 A 6/2000 Matsuyama et al.
 6,102,227 A 8/2000 Cochrane
 6,102,244 A 8/2000 Kuwano et al.
 D437,528 S 2/2001 Kitamura et al.
 6,264,072 B1 7/2001 Johannes
 D447,410 S 9/2001 Malmborg
 6,321,924 B1 11/2001 Yurkewicz et al.
 6,332,557 B1 12/2001 Moran
 6,357,628 B1 3/2002 Long, Jr.
 D456,669 S 5/2002 Munari
 D458,133 S 6/2002 Berish et al.
 D458,134 S 6/2002 Berish et al.
 D466,814 S 12/2002 Hurlburt
 6,530,496 B2 3/2003 Moran
 6,536,618 B1 3/2003 Hwang et al.
 D475,924 S 6/2003 Haffner
 D476,890 S 7/2003 Hirose
 6,601,740 B1 8/2003 Clive
 D479,800 S 9/2003 McRae
 D479,995 S 9/2003 Duceppe
 D482,607 S 11/2003 McRae
 6,648,158 B1 11/2003 Lawrence
 6,651,838 B2 11/2003 Bissell
 6,662,978 B2 12/2003 Lin et al.
 6,675,998 B2 1/2004 Forsman et al.
 6,702,138 B1 3/2004 Bielecki et al.
 D490,275 S 5/2004 Moran
 D494,064 S 8/2004 Hook
 D494,425 S 8/2004 Segura
 6,783,020 B2 8/2004 Featherston et al.
 6,908,015 B2 6/2005 Choi et al.
 D507,495 S 7/2005 Williams et al.
 D511,457 S 11/2005 Biesecker et al.
 D521,314 S 5/2006 Ball
 D524,909 S 7/2006 Bakke et al.
 D525,518 S 7/2006 Baldwin
 D530,141 S * 10/2006 Wilgus D7/313
 D533,032 S 12/2006 Liu et al.
 D536,929 S 2/2007 Kingsley
 D536,974 S 2/2007 Smith et al.
 7,172,101 B2 2/2007 Find
 D537,714 S 3/2007 Yerby et al.
 D540,625 S 4/2007 Sandberg
 D548,006 S 8/2007 Lapsker
 D548,082 S 8/2007 Kingsley
 D549,444 S * 8/2007 Schnackenberg D3/202
 7,270,244 B1 9/2007 Liu
 D553,914 S 10/2007 Wahl
 D554,000 S 10/2007 Walsh
 7,300,580 B2 11/2007 Lindsey et al.
 D557,994 S 12/2007 Wahl
 D564,363 S 3/2008 Rhea
 D567,007 S 4/2008 Bodum
 D567,021 S 4/2008 Bach et al.
 D569,195 S 5/2008 Kim
 D572,585 S 7/2008 Perrin et al.
 D574,237 S 8/2008 Yates, III
 D581,211 S 11/2008 Lapsker
 D582,206 S 12/2008 Fuller
 D583,200 S 12/2008 Moran
 7,458,486 B2 12/2008 Weist et al.
 D584,566 S 1/2009 Fuller

(56)

References Cited

U.S. PATENT DOCUMENTS

D584,623 S	1/2009	Chupak	D641,257 S	7/2011	Thiebaut et al.
D586,183 S	2/2009	Junkel	D641,591 S	7/2011	Tsukida
D587,533 S	3/2009	Carreno	D643,691 S	8/2011	Selina et al.
D589,348 S	3/2009	Miller et al.	D643,693 S *	8/2011	Jama D7/624.2
D594,346 S	6/2009	Mouquet	D645,709 S	9/2011	Endo
D599,616 S	9/2009	Cresswell et al.	8,011,535 B2	9/2011	Tauber et al.
D601,436 S	10/2009	Stephens et al.	D648,984 S	11/2011	Gullickson et al.
D603,331 S	11/2009	Schupp	D651,050 S	12/2011	Goshi
D603,722 S	11/2009	Reimer	D651,847 S	1/2012	Gilbert
D604,181 S	11/2009	Reimer	D652,255 S	1/2012	Carland
D604,561 S	11/2009	Chisholm	D652,682 S	1/2012	Eyal
D605,040 S	12/2009	Fry et al.	D653,499 S	2/2012	Dietterle et al.
D605,060 S	12/2009	Reimer	D654,762 S	2/2012	Gilbert
D605,942 S	12/2009	Miksovsky	D655,134 S	3/2012	Gilbert
D610,871 S	3/2010	Alviar et al.	D655,581 S	3/2012	Kotani
D611,346 S	3/2010	Camomile	D657,196 S	4/2012	Beyers, III
D612,197 S	3/2010	Chan	D658,064 S	4/2012	Barnes et al.
D612,235 S	3/2010	Cresswell et al.	D658,445 S	5/2012	Carreno
D612,660 S	3/2010	Bodum	D659,007 S	5/2012	Pape
D614,918 S	5/2010	Chisholm	D660,084 S	5/2012	Gilbert
D614,955 S	5/2010	Cresswell et al.	8,177,097 B2	5/2012	Duran
D615,360 S	5/2010	Joy et al.	D662,360 S	6/2012	George
D615,361 S	5/2010	Goble	8,210,572 B2	7/2012	Davis
D615,816 S	5/2010	Joy et al.	8,215,511 B1	7/2012	Lin
D616,703 S	6/2010	Joy et al.	D664,809 S	8/2012	Eyal
D616,743 S	6/2010	Cresswell et al.	D665,621 S	8/2012	Eyal
D616,744 S	6/2010	Cresswell et al.	8,245,600 B2	8/2012	Beard
D619,457 S	7/2010	Walsh	8,245,870 B2	8/2012	McKinney et al.
D619,458 S	7/2010	Walsh	8,251,247 B1	8/2012	Breckner
D619,459 S	7/2010	Walsh	D666,908 S	9/2012	Dabah et al.
D620,798 S	8/2010	Cresswell et al.	8,256,631 B2	9/2012	Hoffmann et al.
D621,207 S	8/2010	Bodum	8,272,532 B2	9/2012	Michaelian et al.
D621,257 S	8/2010	Gullickson et al.	D668,913 S	10/2012	Mayer
D621,258 S	8/2010	Gullickson et al.	8,292,133 B2	10/2012	Baughman et al.
D621,648 S	8/2010	Lown et al.	D670,137 S	11/2012	Gilbert
D622,089 S	8/2010	Daniel et al.	D671,372 S *	11/2012	Zou D7/608
D622,145 S	8/2010	Walsh	D672,238 S	12/2012	Aziz et al.
D623,475 S	9/2010	Aarnoudse et al.	D672,609 S	12/2012	Aziz et al.
D623,480 S	9/2010	Moran	D673,459 S	1/2013	Moran, Sr.
D623,481 S	9/2010	Moran	D675,100 S	1/2013	Herbst
D625,560 S	10/2010	Olson et al.	D675,865 S	2/2013	Wahl
D626,414 S	11/2010	Cresswell et al.	D676,706 S	2/2013	Kern et al.
D626,416 S	11/2010	Cresswell et al.	D676,764 S	2/2013	Moore et al.
D627,601 S	11/2010	Eyal	D677,103 S	3/2013	Melzer
D627,602 S	11/2010	Eyal	D677,119 S	3/2013	Ying
D627,604 S	11/2010	Eyal	D678,729 S *	3/2013	Peeters D7/608
D628,018 S	11/2010	Gilbert	D678,772 S	3/2013	Johnson et al.
D628,486 S	12/2010	Lane	D679,185 S	4/2013	Brown et al.
D628,898 S	12/2010	Barnett et al.	D680,389 S	4/2013	Zemel et al.
D628,900 S	12/2010	Barnett et al.	D682,016 S	5/2013	Knight
D628,901 S	12/2010	Barnett et al.	D682,617 S	5/2013	Miksovsky et al.
D629,689 S	12/2010	Cresswell et al.	8,443,993 B1	5/2013	Desselle
D629,690 S	12/2010	Cresswell et al.	8,443,994 B1	5/2013	Desselle
D629,691 S	12/2010	Cresswell et al.	D684,059 S	6/2013	Johnson et al.
D630,474 S	1/2011	Gilbert	8,459,468 B2	6/2013	Lin
D630,475 S	1/2011	Lu	D686,078 S	7/2013	Johnson et al.
D631,349 S	1/2011	Arnell et al.	D688,093 S	8/2013	Roth et al.
7,870,968 B2	1/2011	Hanson	8,505,760 B2	8/2013	Ott
D631,666 S	2/2011	Lim et al.	8,505,787 B2	8/2013	Fox et al.
D633,338 S	3/2011	Rosbach et al.	D690,987 S	10/2013	Gallen
D633,794 S	3/2011	Cresswell et al.	D690,988 S	10/2013	Audette
D633,795 S	3/2011	Cresswell et al.	D691,848 S	10/2013	Trudeau et al.
D633,796 S	3/2011	Cresswell et al.	8,550,269 B2	10/2013	Lane
D633,797 S	3/2011	Cresswell et al.	D693,628 S	11/2013	Tavenner et al.
D634,156 S	3/2011	Fuller et al.	D693,698 S	11/2013	Miller, Jr.
D634,160 S	3/2011	Cetera	8,584,902 B2	11/2013	Dejonge
D635,457 S	4/2011	Lane	D695,138 S	12/2013	Ball
D635,856 S	4/2011	Lauret	8,613,369 B2	12/2013	Kitto
D638,695 S	5/2011	Woodrow et al.	D696,945 S	1/2014	Newman
D638,708 S	5/2011	Walsh	D697,404 S	1/2014	Johnson et al.
D639,164 S	6/2011	Walsh	D697,802 S	1/2014	Lane
D639,177 S	6/2011	Pape	8,622,229 B2	1/2014	Lane
D639,661 S	6/2011	Llerena	D698,668 S	2/2014	Vaughn
D639,663 S	6/2011	Llerena	D701,464 S	3/2014	Ogata et al.
D640,466 S	6/2011	Staton	D702,092 S	4/2014	Mettler et al.
			D702,506 S *	4/2014	Mettler D9/504
			8,695,822 B2	4/2014	Kwon
			8,701,881 B2	4/2014	Gibson et al.
			8,701,924 B2	4/2014	Dalbec

(56)

References Cited

U.S. PATENT DOCUMENTS

8,708,176 B2	4/2014	Andis	D778,117 S	2/2017	Du
D703,998 S	5/2014	Funnell, II et al.	D778,118 S	2/2017	Du
8,720,730 B2	5/2014	Bodden, Jr.	D778,725 S	2/2017	Sorensen et al.
8,752,720 B1	6/2014	Habig et al.	9,586,733 B2	3/2017	Garza
D708,484 S	7/2014	Bishop	D784,812 S	4/2017	Miller
D708,914 S	7/2014	Moran, Sr.	D786,012 S	5/2017	Hein et al.
D708,954 S	7/2014	Barnes et al.	D787,893 S	5/2017	Seiders et al.
D709,734 S	7/2014	Kotani	D790,913 S	7/2017	Stover et al.
8,777,031 B2	7/2014	Aneas	D791,542 S	7/2017	Miksovsky et al.
D712,254 S	9/2014	Geis et al.	D792,765 S	7/2017	Buck
D712,255 S	9/2014	Geis et al.	9,694,953 B2	7/2017	Meyers et al.
D713,268 S	9/2014	Jones et al.	9,708,108 B2	7/2017	Gregory et al.
D713,365 S	9/2014	Green	D795,008 S	8/2017	Eyal
8,833,586 B2	9/2014	Meyers et al.	9,745,110 B2	8/2017	Boyer et al.
D714,584 S	10/2014	Boroski	9,771,189 B2	9/2017	Miksovsky et al.
D717,102 S	11/2014	Taketani et al.	D799,269 S	10/2017	Vargo
D717,601 S	11/2014	Dixon	D799,909 S	10/2017	Partridge
D719,780 S	12/2014	Sullivan	D799,963 S	10/2017	Akiyama
8,905,252 B2	12/2014	Latham et al.	9,801,969 B2	10/2017	Griffis
D724,385 S *	3/2015	Hurley D7/511	D802,375 S	11/2017	Kao
D724,435 S	3/2015	Kaufman et al.	D802,419 S	11/2017	Seiders et al.
8,967,414 B2	3/2015	Lane	D802,994 S	11/2017	Seiders et al.
8,985,406 B2	3/2015	Tachi	D806,465 S	1/2018	Boroski
D728,315 S	5/2015	Bo	D806,468 S	1/2018	Goodwin et al.
D728,995 S	5/2015	Barberi	D806,543 S	1/2018	Finkbohner et al.
D729,579 S	5/2015	Molayem	9,919,860 B2	3/2018	Dabah et al.
D729,584 S	5/2015	Weston et al.	9,926,115 B2	3/2018	Jung et al.
D732,402 S	6/2015	Jones et al.	D814,852 S	4/2018	Melanson et al.
D734,154 S	7/2015	Johnson et al.	D814,930 S	4/2018	Tremayne et al.
D734,638 S	7/2015	Wahl	D816,426 S	5/2018	Washburn et al.
D735,033 S	7/2015	Lynd et al.	D817,114 S	5/2018	Beckman
D735,038 S	7/2015	Tamarindo	D818,775 S	5/2018	Woodruff
D735,578 S	8/2015	Mazurkiewicz et al.	D819,402 S	6/2018	Silsby et al.
9,113,698 B2	8/2015	Blain et al.	D819,443 S	6/2018	Martinez Carregui et al.
D738,670 S	9/2015	Sands	D820,039 S	6/2018	Fitzsimons
9,126,731 B2	9/2015	Chen	10,029,832 B2	7/2018	Isogai
D741,655 S	10/2015	Whelan et al.	10,040,593 B2	8/2018	Ross et al.
D743,255 S	11/2015	Niggemyer	D831,434 S	10/2018	Washbur et al.
D743,742 S	11/2015	Rummel et al.	10,086,980 B2	10/2018	Isogai
D744,781 S	12/2015	Rummel et al.	D834,938 S	12/2018	Barnes et al.
9,205,445 B2	12/2015	Fang et al.	D835,937 S	12/2018	Nichols
9,215,942 B2	12/2015	Bodum	D836,387 S	12/2018	Silsby et al.
D748,472 S	2/2016	Seybel et al.	D836,388 S	12/2018	Abante et al.
D748,955 S	2/2016	Oliver	D836,389 S	12/2018	Abante et al.
D751,345 S	3/2016	Lane et al.	10,167,120 B1	1/2019	Levy et al.
D751,399 S	3/2016	Lynd et al.	10,183,791 B2	1/2019	Friedrich et al.
D751,898 S	3/2016	D'Anglade	10,189,619 B1	1/2019	Crawley
9,272,822 B2	3/2016	Samartgis	10,196,179 B2	2/2019	Wisniewski
D754,472 S	4/2016	Munari	10,196,185 B2	2/2019	Zoppas
D755,561 S	5/2016	Eyal	10,196,186 B2	2/2019	Cox
D757,543 S	5/2016	Sorensen et al.	10,202,224 B2	2/2019	Painchaud
9,346,591 B2	5/2016	Martinengo	10,214,323 B2	2/2019	Conley et al.
D758,136 S	6/2016	Liotta et al.	D842,030 S	3/2019	Meyers
D758,790 S	6/2016	Boroski	D842,038 S	3/2019	Seiders et al.
D758,791 S	6/2016	Hanna et al.	2002/0014498 A1	2/2002	Forsman et al.
D758,804 S	6/2016	Liotta et al.	2003/0141321 A1	7/2003	Sekendur
D758,859 S	6/2016	Sorensen et al.	2003/0155323 A1	8/2003	Ekkert
D759,487 S	6/2016	Jayakaran	2004/0016715 A1	1/2004	Strikovic
9,376,243 B2	6/2016	Cervený	2004/0045967 A1	3/2004	Becker et al.
D760,586 S	7/2016	Seiders et al.	2004/0201224 A1	10/2004	Chang
D761,624 S	7/2016	McLean et al.	2004/0206721 A1	10/2004	Swanberg et al.
D762,418 S	8/2016	Sorensen et al.	2005/0274741 A1	12/2005	Cho
D763,076 S	8/2016	Lane et al.	2006/0180585 A1	8/2006	Cunningham et al.
D764,916 S	8/2016	Mount, III et al.	2007/0108153 A1	5/2007	Weist
D767,390 S	9/2016	Miksovsky et al.	2007/0199914 A1	8/2007	Hung
D772,021 S	11/2016	Joy	2007/0251956 A1	11/2007	Wasserman et al.
D772,652 S	11/2016	Yao	2008/0142466 A1	6/2008	Balitski
D772,718 S	11/2016	Lee	2008/0230506 A1	9/2008	Lantz et al.
9,493,274 B2	11/2016	Ledun et al.	2009/0045194 A1	2/2009	Rhee
9,493,283 B2	11/2016	Tuyn	2009/0084752 A1	4/2009	Coulson
D773,250 S	12/2016	Miller	2009/0101644 A1	4/2009	Maiwald et al.
D773,938 S	12/2016	Weber	2010/0012615 A1	1/2010	Brooks
D774,826 S	12/2016	Boroski	2010/0089151 A1	4/2010	Mantilla et al.
9,522,770 B2	12/2016	Pichrt	2010/0200602 A1	8/2010	Chan
9,532,671 B2	1/2017	Lin	2010/0215294 A1	8/2010	Berman
			2010/0237078 A1	9/2010	Lentz et al.
			2011/0036836 A1	2/2011	Lantheaume
			2011/0056386 A1	3/2011	Taketani
			2011/0186585 A1	8/2011	Lu

(56)

References Cited

U.S. PATENT DOCUMENTS

2011/0198352 A1 8/2011 Lown et al.
 2011/0220656 A1 9/2011 Gau
 2011/0278216 A1 11/2011 Hull et al.
 2012/0074143 A1 3/2012 Lin
 2012/0199548 A1 8/2012 Kitto
 2012/0312031 A1 12/2012 Olsen et al.
 2013/0136382 A1 5/2013 Barron
 2013/0306642 A1 11/2013 Dabah et al.
 2014/0069917 A1 3/2014 Meyers et al.
 2014/0251938 A1 9/2014 Rose et al.
 2014/0312077 A1 10/2014 Tajima et al.
 2014/0353275 A1 12/2014 Hung
 2015/0191293 A1 7/2015 Forcella
 2015/0232232 A1 8/2015 Shibuki et al.
 2015/0251812 A1 9/2015 Gillie
 2015/0314929 A1 11/2015 Tebbe et al.
 2015/0374151 A1 12/2015 Lin
 2016/0159538 A1 6/2016 Michie
 2016/0167852 A1 6/2016 Moradi
 2016/0176587 A1 6/2016 Heraud
 2016/0192797 A1 7/2016 Yang
 2016/0256359 A1 9/2016 Trawick et al.
 2016/0318693 A1 11/2016 Hein et al.
 2016/0355305 A1 12/2016 Hoskins
 2017/0001772 A1 1/2017 Rho
 2017/0043916 A1 2/2017 Seiders et al.
 2017/0081090 A1 3/2017 Boyer et al.
 2017/0127859 A1 5/2017 Hornung et al.
 2017/0144811 A1 5/2017 Wohlgenannt
 2017/0158398 A1 6/2017 Shively
 2017/0158412 A1 6/2017 Seiders et al.
 2017/0354289 A1 12/2017 Marina et al.
 2018/0029762 A1 2/2018 Eyal
 2018/0050845 A1 2/2018 Chin et al.
 2018/0105346 A1 4/2018 Tolman et al.
 2018/0118427 A1 5/2018 Lee et al.
 2018/0134457 A1 5/2018 Mutterle et al.
 2018/0141722 A1 5/2018 Langelaan
 2018/0162608 A1 6/2018 Kim
 2018/0162610 A1 6/2018 Kim
 2018/0265264 A1 9/2018 Graybill et al.
 2019/0002164 A1 1/2019 Nakatani et al.
 2019/0039782 A1 2/2019 Campbell
 2019/0047754 A1 2/2019 Dubiel et al.
 2019/0047773 A1 2/2019 Bullock et al.
 2019/0062010 A1 2/2019 Apte et al.
 2020/0245858 A1 8/2020 Takeno et al.

FOREIGN PATENT DOCUMENTS

AU 2016368382 B2 2/2019
 CA 3030583 A1 11/2018
 CA 3012127 A1 2/2019
 CN 201019201 Y 2/2008
 CN 300984030 8/2009
 CN 201349991 Y 11/2009
 CN 301110494 1/2010
 CN 201640878 U 11/2010
 CN 201694495 U 1/2011
 CN 201777557 U 3/2011
 CN 202030152 U 11/2011
 CN 202060630 U 12/2011
 CN 202086330 U 12/2011
 CN 301888124 S 4/2012
 CN 202287503 U 7/2012
 CN 302228747 S 12/2012
 CN 103112651 A 5/2013
 CN 202981686 U 6/2013
 CN 203127394 U 8/2013
 CN 203207847 U 9/2013
 CN 103619723 A 3/2014
 CN 104129579 A 11/2014
 CN 102730301 B 3/2015
 CN 303176279 S 4/2015
 CN 103086061 B 8/2015

CN 103538798 A 9/2015
 CN 303413115 S 10/2015
 CN 303528321 12/2015
 CN 105705425 A 6/2016
 CN 303748684 S 7/2016
 CN 303894653 10/2016
 CN 303899030 10/2016
 CN 303902404 11/2016
 CN 303905254 11/2016
 CN 303905266 11/2016
 CN 303944047 11/2016
 CN 303956194 12/2016
 CN 303965272 12/2016
 CN 303965286 12/2016
 CN 303965392 12/2016
 CN 303965400 12/2016
 CN 303966239 12/2016
 CN 303974938 12/2016
 CN 303984407 12/2016
 CN 303984493 12/2016
 CN 304011213 1/2017
 CN 304011214 1/2017
 CN 304025064 S 2/2017
 CN 205998332 U 3/2017
 CN 108313494 A 7/2018
 CN 107224167 B 8/2018
 CN 108394633 A 8/2018
 CN 106458394 B 10/2018
 CN 105050907 B 12/2018
 CN 105358441 B 12/2018
 CN 108945789 A 12/2018
 CN 106163937 B 1/2019
 CN 105595863 B 2/2019
 CN 106255648 B 2/2019
 CN 106414269 B 2/2019
 CN 106458396 B 2/2019
 CN 109319295 A 2/2019
 CN 208470495 U 2/2019
 CN 208485029 U 2/2019
 CN 208531194 U 2/2019
 DE 2233565 A1 6/1973
 DE 2226556 B2 8/1977
 DE 3514261 A1 1/1986
 DE 29612345 U1 9/1996
 DE 29611746 U1 11/1997
 DE 69509827 T2 10/1999
 DE 29912668 U1 12/1999
 DE 202008009584 U1 10/2008
 DE 102014011506 B3 7/2015
 DK 402016101176-0008 11/2016
 DK 402016101176-0010 11/2016
 EM 0005444160001 A1 8/2006
 EM 0017252430001 A1 7/2010
 EM 002759605 A1 10/2015
 EM 003528504-0004 12/2016
 EM 004539732-0003 12/2017
 EP 1088764 A1 4/2001
 EP 1693310 A1 8/2006
 EP 1934106 A1 6/2011
 EP 2457842 B1 5/2015
 EP 3066018 A4 11/2016
 EP 2851311 B1 6/2018
 EP 3157833 A 8/2018
 EP 2796078 B1 10/2018
 EP 3398484 A1 11/2018
 EP 3398871 A1 11/2018
 EP 3441320 A1 2/2019
 FR 1359912 A 4/1964
 FR 2521957 B1 10/1986
 FR 2786465 6/2000
 FR 2830848 A1 4/2003
 GB 729903 A 5/1955
 GB 2114959 B 7/1985
 JP H02-052759 U 4/1990
 JP H03159974 U 7/1991
 JP H08-0117119 A 5/1996
 JP 2000333847 A 12/2000
 JP 2001315831 A 11/2001
 JP 2003125912 A 5/2003

(56)

References Cited

FOREIGN PATENT DOCUMENTS

JP	2008162679	A	7/2008
JP	1363566		6/2009
JP	2010280402	A	12/2010
JP	2011093544	A	5/2011
JP	1530358	S	8/2015
JP	2016141412	A	8/2016
JP	6408837	B2	10/2018
JP	6409250	B1	10/2018
JP	2019001538	A	1/2019
JP	6467720	B2	2/2019
JP	2019503943	A	2/2019
KR	200169857	Y1	2/2000
KR	300295354		4/2002
KR	300303813.0000		8/2002
KR	20100008131	A	1/2010
KR	300636271	S	3/2012
KR	300764889.0000		10/2014
KR	3007776150001	S	3/2015
KR	3020150002495		12/2015
KR	101581270	B1	1/2016
KR	30-0847946		4/2016
KR	101668309	B1	10/2016
KR	300883384.0000		11/2016
KR	300884377.0000		12/2016
KR	300885455.0000		12/2016
KR	300885851.0000		12/2016
KR	300888536.0000		1/2017
KR	101785906	B1	10/2017
KR	20-2019-0000204	U	1/2019
KR	101922235	B1	2/2019
RU	00100680		11/2016
WO	2005028317	A2	3/2005
WO	2006023238	A2	3/2006
WO	07123365	A1	11/2007
WO	08048039	A1	4/2008
WO	2014114493	A1	7/2014
WO	14041325	A3	9/2014
WO	14184341	A1	11/2014
WO	D088688-002		1/2016
WO	16180908	A1	11/2016
WO	17097485	A1	6/2017
WO	17115193	A1	7/2017
WO	18149763	A1	8/2018
WO	2017/223093	A3	2/2019
WO	2019025589	A1	2/2019

OTHER PUBLICATIONS

Nov. 2, 2016—(WO) International Search Report and Written Opinion—App. No. PCT/US2016/047043.

Oct. 1, 2016—(JP) Office Action—APP. 2016-010799, English Translation, 3 Pages.

Oct. 18, 2016—(JP) Office Action—APP. 2016-010800, English Translation, 3 Pages.

Yeti 36 oz. Rambler: Announced Jan. 11, 2016 [online], site visited [May 10, 2016]. Available from Internet URL: <http://yeticoolers.com/rambler-bottle-36-oz/>.

Kold Vacuum Insulated Stainless Steel Sports Bottle: Announced Dec. 8, 2015 [online], site visited [May 11, 2016]. Available from Internet URL: <http://www.amazon.com/KOLD-Sports-Water-Bottles-Insulated/dp/B018YH K79E/ref=cm>.

“Hydro Flask Insulated Stainless Steel Water Bottle” published on Dec. 29, 2014, retrieved from http://web.archive.org/web/*/https://www.amazon.com/dp/B004X55L9l/ref=twister_B00GA03LG4?_encoding=UTF8&psc=1 on Sep. 22, 2016.

“UA Beyond 18 oz. Vacuum Insulated Water Bottle” published on Mar. 29, 2015, retrieved from http://web.archive.org/web/*/https://www.underarmour.com/en-us/beyond-18-oz-vacuum-insulated-ss-bottle-with-flip-top-lid/pid1232014 on Sep. 22, 2016.

“Klean Kanteen Insulated Classic with Polypropylene” published on Jul. 7, 2015, retrieved from http://web.archive.org/web/*/https://

www.lifewithoutplastic.com/store/klean-kanteen-insulated-classic-with-polypropylene-loop-cap-0-95-1-32-oz.html on Sep. 22, 2016. “Eco Vessel 64 ounce Growler” published on Jan. 28, 2015, retrieved from http://web.archive.org/web/*/http://www.snewsnet.com/press-release/eco-vessel-launches-the-boss-insulated-growler/ on Sep. 22, 2016.

“64 oz Double-Wall Vacuum-Insulated Growler” published on Nov. 14, 2014, retrieved from https://web.archive.org/web/*/http://www.fiftyfiftybottles.com/64oz-growler/ on Sep. 22, 2016.

“2015 Boulder Insulated Water Bottle with Tea, Fruit, Ice Strainer” published on Jun. 28, 2015, retrieved from http://web.archive.org/web/*/http://www.ecovessel.com/boulder-insulated-water-bottle-with-tea-fruit-ice-strainer-20-oz/ on Sep. 2022.

“KB8 20 oz. Double Wall Stainless Bottle,” published on May 22, 2015, retrieved from <https://web.archive.org/web/20150807054814/http://thermo-steel.com/work/keen-kb8> on Sep. 27, 2016.

Nov. 1, 2016—(JP) Office Action—APP. 2016-9606, English Translation, 2 Pages.

Oct. 4, 2016—(JP) Office Action—APP. 2016-9607, English Translation, 2 pages.

Oct. 4, 2016—(JP) Office Action—APP. 2016-9608, English Translation, 2 Pages.

‘First Look: Yeti Rambler One Gallon ‘Jug’ Review’. Found online Jun. 12, 2017 at gearjunkie.com. Page dated May 2, 2017. Retrieved from <https://gearjunkie.com/yeti-rambler-one-gallon-jug-review>.

“Lifefactory Water Bottle with Flip Cap”. Found online Oct. 26, 2016 at amazon.com. Page dated Jan. 21, 2012. Retrieved from https://www.amazon.com/Lifefactory-22-Ounce-BPA-Free-Bottle-Silicone/dp/B01JIHJYOI/ref=pd_day0_79_22?_encoding=UTF8&refRID=YW47QZQ73YFSYXXEHXG2.

“Igloo Sport Beverage Cooler”. Found online Jun. 7, 2017 at amazon.com. Page dated Mar. 9, 2013. Retrieved from https://www.amazon.com/Igloo-Beverage-Cooler-Majestic-2-Gallon/dp/B0088AYPOG/ref=cm_cr_arp_d_product_top?ie=UTF8.

“Klear Loop Cap Handle Lids for Klear Bottle and Hydro Flask”. Found online Jun. 7, 2017 at amazon.com. Page dated Jul. 4, 2016. Retrieved from https://www.amazon.com/Klear-Handle-Bottle-Hydro-Flask/dp/B01EXKSRLQ/ref=cm_cr_arp_d_product_top?ie=UTF8. Rambler Jug Mount. Online, published date unknown. Retrieved on Jan. 2, 2018 from URL: <https://www.yeti.com/accessories/rambler-jug-mount!YRAMJM.html>.

Avex, “40oz. 3Sixty Pour Stainless Steel Thermal Bottle”, Accessed May 18, 2017. <http://www.avexoutdoor.com/3sixty-pour-realtree-thermal-bottle.html>.

Jan. 29, 2018—(WO) Invitation to Pay Additional Fees and Partial International Search Report—App. No. PCT/US2017/057010—13 pages.

Mar. 27, 2018—(WO) International Search Report and Written Opinion—App. No. PCT/US2017/057010—19 pages.

Yeti Rambler Vacuum Insulated Stainless Steel One Gallon Jug with MagCap. Found online Jun. 12, 2017 at amazon.com. Page dated May 30, 2017. Retrieved from <https://www.amazon.com/YETI-Rambler-Vacuum-Insulated-Stainless/dp/B071HTJ4Q8>.

“Klean Kanteen Stainless Unibody Bamboo Cap”. Found online Jun. 12, 2018 at amazon.com. Page dated Sep. 10, 2012. Retrieved from https://www.amazon.com/Klean-Kanteen-Stainless-Unibody-Bamboo/dp/B0083F0SDI/ref=cm_cr_arp_d_product_top?ie=UTF8.

“Takeya ThermoFlask”. Found online Jun. 9, 2018 at amazon.com. Page dated Apr. 15, 2016. Retrieved from https://www.amazon.com/Takeya-ThermoFlask-Pack-Back-Silver/dp/B01D7NIOWW/ref=cm_cr_arp_d_product_top?ie=UTF8.

“Twitter: h2go elevate and h2go inspire: same lid stlye, different body typw”. Found online Jun. 12, 2018 at twitter.com. Page dated Jan. 21, 2015. Retrieved from <https://twitter.com/etsexpress/status/557997114589196288>.

“Thermos Stainless King 60 Ounce Vacuum Insulated Beverage Bottle.” Found online Jul. 13, 2018 at www.amazon.com. Page dated Aug. 15, 2015. Retrieved from URL: <https://www.amazon.com/Thermos-Stainless-Insulated-Beverage-Midnight/dp/B008YB4V52> (Year: 2015).

(56)

References Cited

OTHER PUBLICATIONS

“Stanley Classic Vacuum Bottle.” Found online Jul. 13, 2018 at www.amazon.com. Page dated Nov. 30, 2014. Retrieved from URL: <https://tinyurl.com/y8nnytm9> (Year: 2014).

Feb. 11, 2019—(CN) Office Action—App. No. 201680059619.7.

“Yeti Rambler Bottle Cup Cap Accessory.” Found online: Jun. 18, 2019 at www.amazon.com. Product reviewed May 30, 2019. Retrieved from URL: <http://tinyurl.com/y32g688u> (Year: 2019).

Jul. 15, 2019—(CN) Office Action—App. No. 201680059619.7.

Youtube. Yeti Rambler R12 Bottle with Hotshot Cap Demo, Features & Review by Tentworld—The Camping Experts. Oct. 30, 2019. <https://www.youtube.com/watch?v=cLZsvhUMydM> (Year: 2019).

Dec. 4, 2019—(CN) Examination Report—App. No. 201680059619.7.

Feb. 19, 2020—(EP) Extended Search Report—App No. EP19209538.

Apr. 6, 2020—(WO) International Search Report & Written Opinion—PCT/US19/056566.

May 19, 2020—(CN) Office Action—App. No. 201680059619.7.

May 7, 2020—(WO) ISR & Written Opinion—PCT/US19/059799.

Jul. 23, 2020—(US) Final Office Action—U.S. Appl. No. 15/786,163.

Jan. 4, 2021—(CN) Fourth Office Action—App. No. 201680059619.7.

United States District Court Western District of Texas, Austin Division, “Complaint for Damages and Injunctive Relief tor: (1)-(12) Patent Infringement in Violation of 35 U.S.C. § 271; and (13) Breach of Contract”, *Yeti Coolers, LLC v. RTIC Outdoors, LLC; and Corporate Support & Fulfillment, LLC*, Case 1:21-cv-00214, filed Mar. 5, 2021, 338 pages.

Jan. 29, 2021. (CN) Chinese Evaluation Report app No. 201930169002.7.

United States District Court Western District of Texas, Austin Division, “First Amended Complaint, ‘Complaint for Damages and Injunctive Relief tor: (1)-(15) Patent Infringement in Violation of 35

U.S.C. § 271; and (16) Breach of Contract”, *Yeti Coolers, LLC v. RTIC Outdoors, LLC; and Corporate Support & Fulfillment, LLC*, Case 1:21-cv-00214-RP, Document 10, filed Jun. 2, 2021, 39 pages.

United States District Court Western District of Texas, Austin Division, “Answer of Defendants RTIC Outdoors, LLC and Corporate Support & Fulfillment, LLC to Yeti’s Amended Complaint: (1)-(15) Patent Infringement in Violation of 35 U.S.C. § 271; and (16) Breach of Contract”, *Yeti Coolers, LLC v. RTIC Outdoors, LLC; and Corporate Support & Fulfillment, LLC*, Case 1:21-cv-00214-RP, Document 16, filed Jun. 17, 2021, 79 pages.

“History of Thermos”, <https://www.thermos.com/history>.

Jun. 3, 2021—(CN) Fifth Office Action—App. No. 201680059619.7.

United States District Court Western District of Texas, Austin Division, “Second Amended Complaint”, *Yeti Coolers, LLC v. RTIC Outdoors, LLC; and Corporate Support & Fulfillment, LLC*, Case 1:21-cv-00214-RP, Document 33, filed Dec. 17, 2021, 489 pages.

United States District Court Western District of Texas, Austin Division, “Answer of Defendants RTIC Outdoors, LLC and Corporate Support & Fulfillment, LLC to Yeti’s Second Amended Complaint, Jury Trial Demanded”, *Yeti Coolers, LLC v. RTIC Outdoors, LLC; and Corporate Support & Fulfillment, LLC*, Case 1:21-cv-00214-RP, Document 34, filed Jan. 3, 2022, 92 pgs.

United States District Court Western District of Texas Austin Division, “Defendants RTIC Outdoors, LLC’s and Corporate Support & Fulfillment, LLC’s Invalidity Contentions”, *Yeti Coolers, LLC v. RTIC Outdoors, LLC and Corporate Support & Fulfillment, LLC*, Case No. 1:21-cv-00214, Jury Trial Demanded, filed Jan. 17, 2022, 3173 pages.

Thermos Icy Hot Bottle and Jumbo Jug, “History of Thermos” (6 pgs), U.S. District Court Western District of Texas, “Defendants RTIC Outdoors, LLC’s and Corporate Support & Fulfillment, LLC’s Invalidity Contentions”, *Yeti Coolers, LLC v. RTIC Outdoors, LLC*, Case No. 1:21-cv-00214, dated Jan. 17, 2022, p. 27.

* cited by examiner

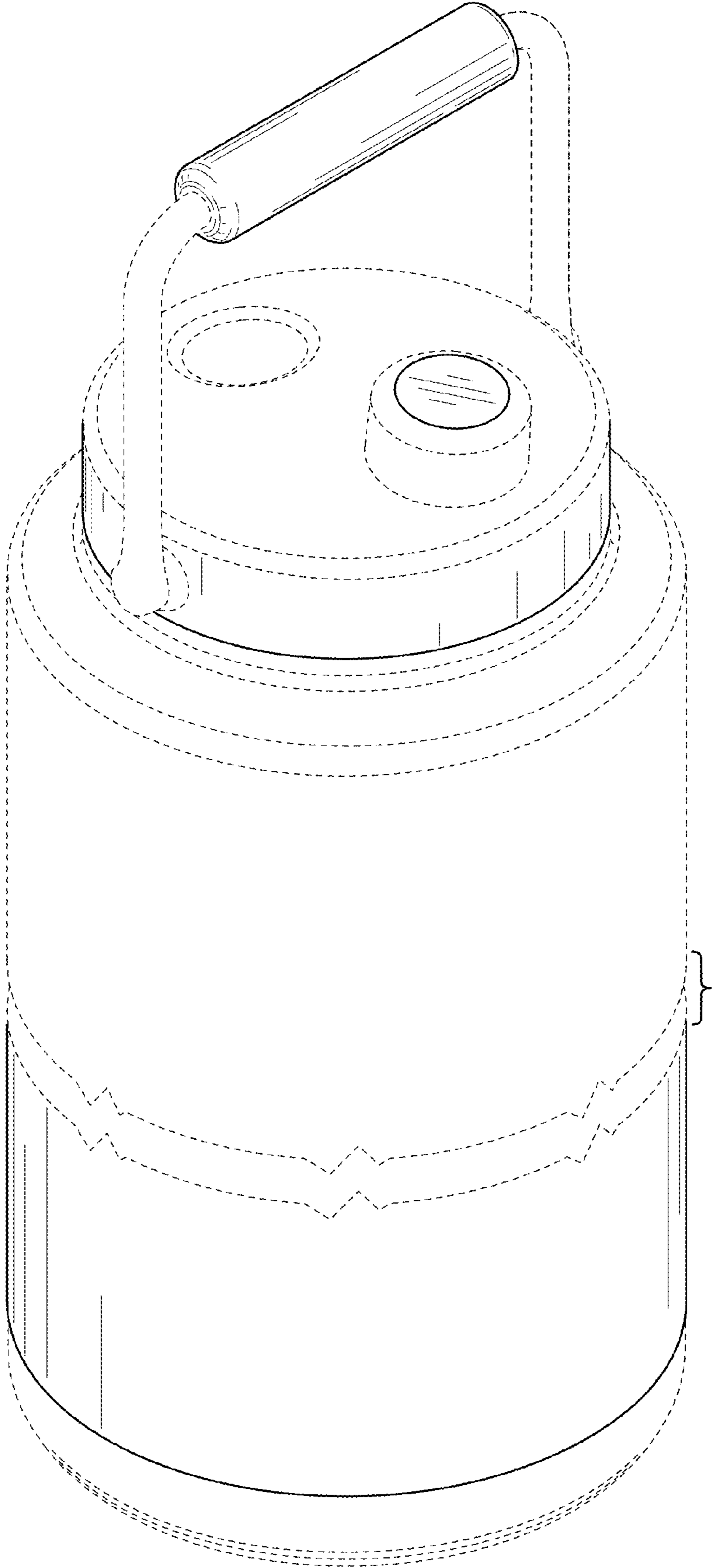


FIG. 1

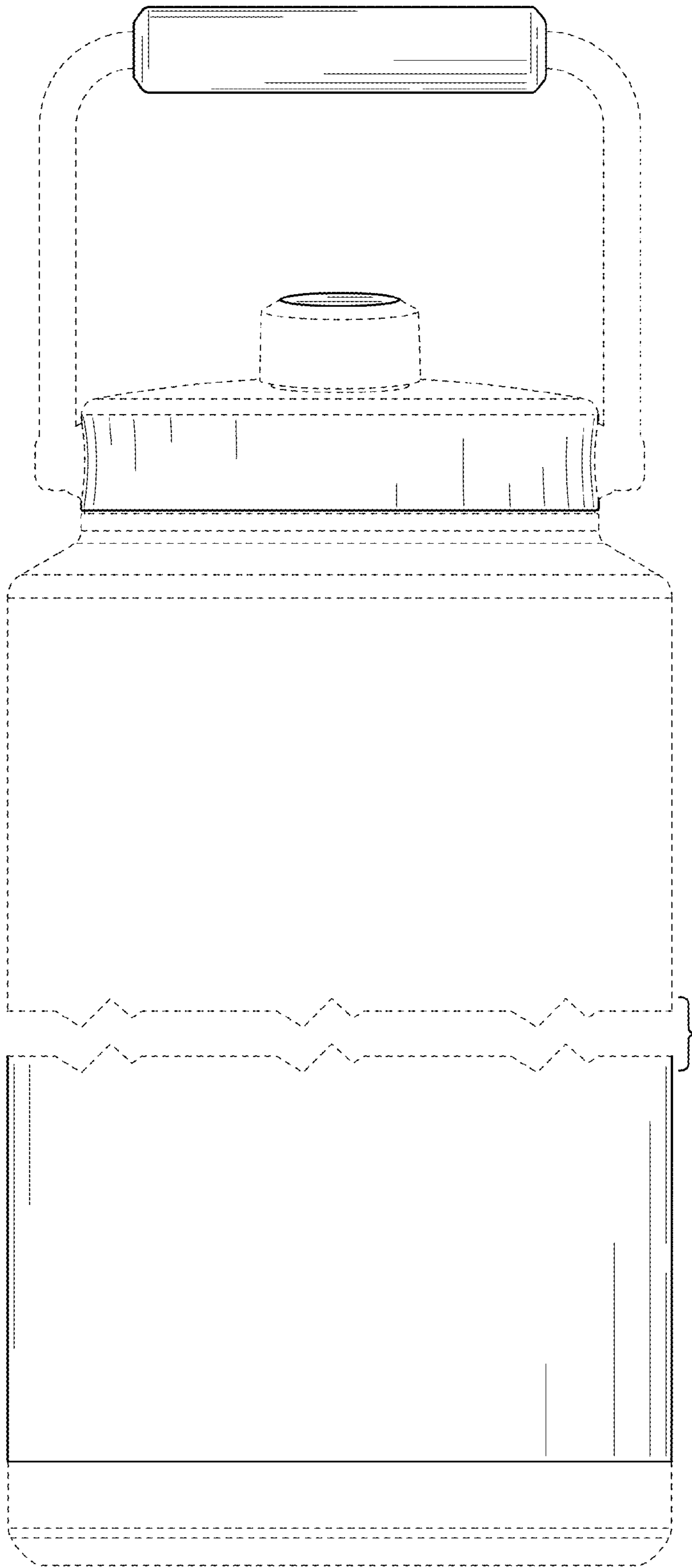


FIG. 2

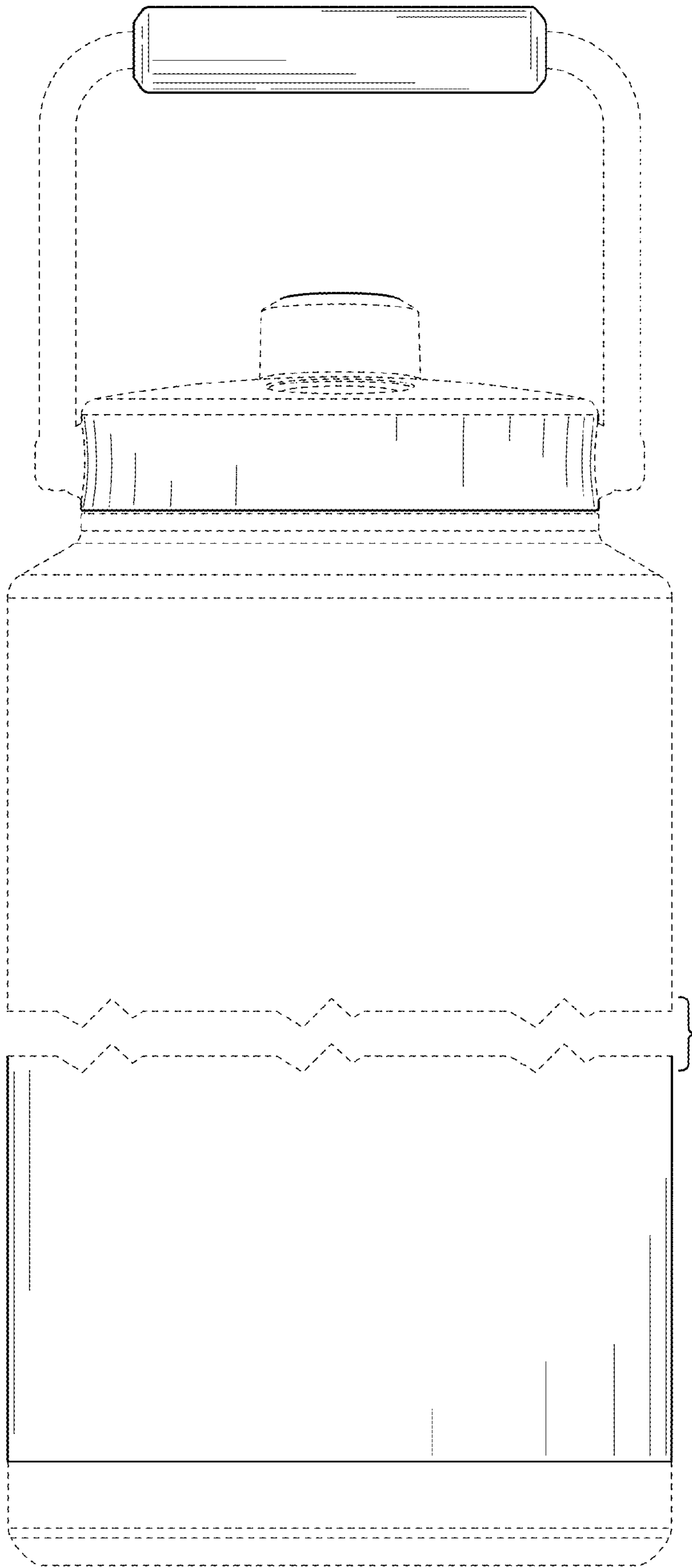


FIG. 3

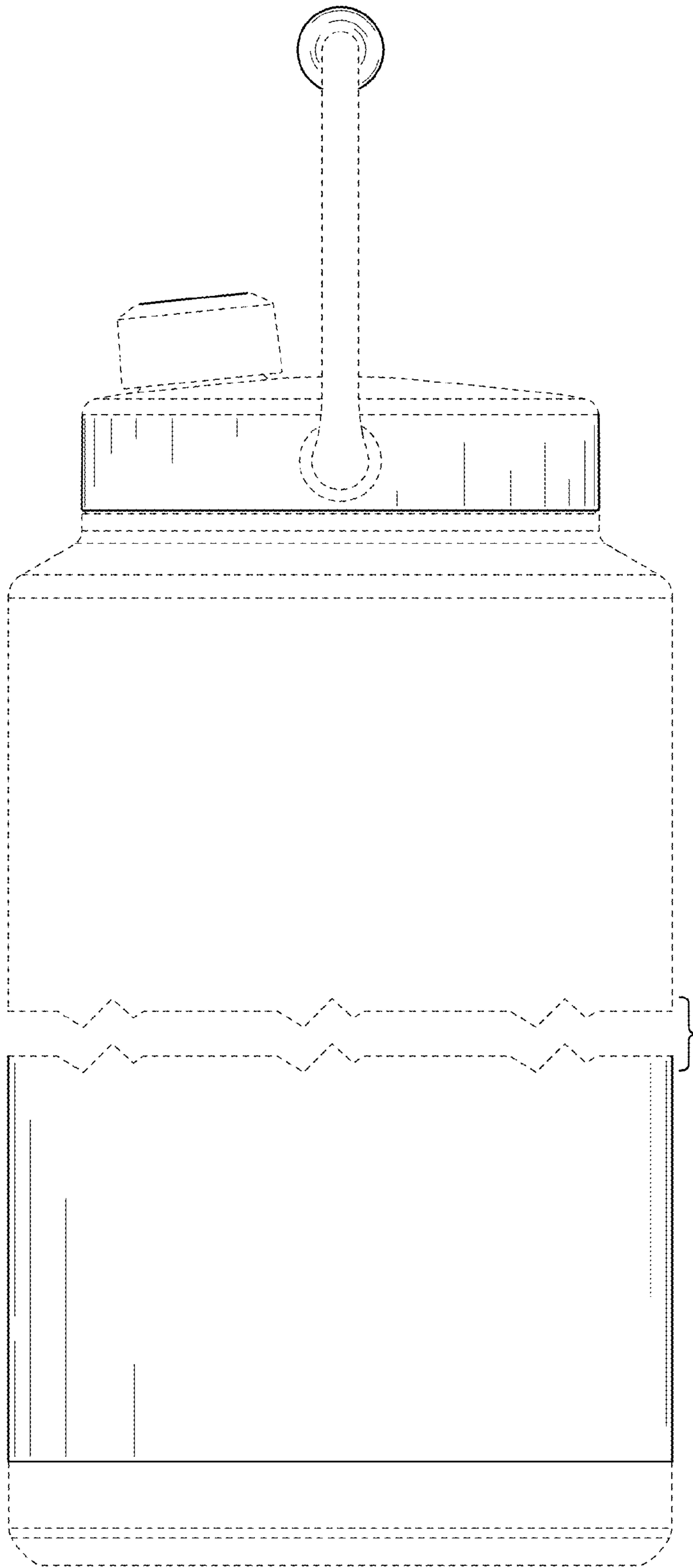


FIG. 4

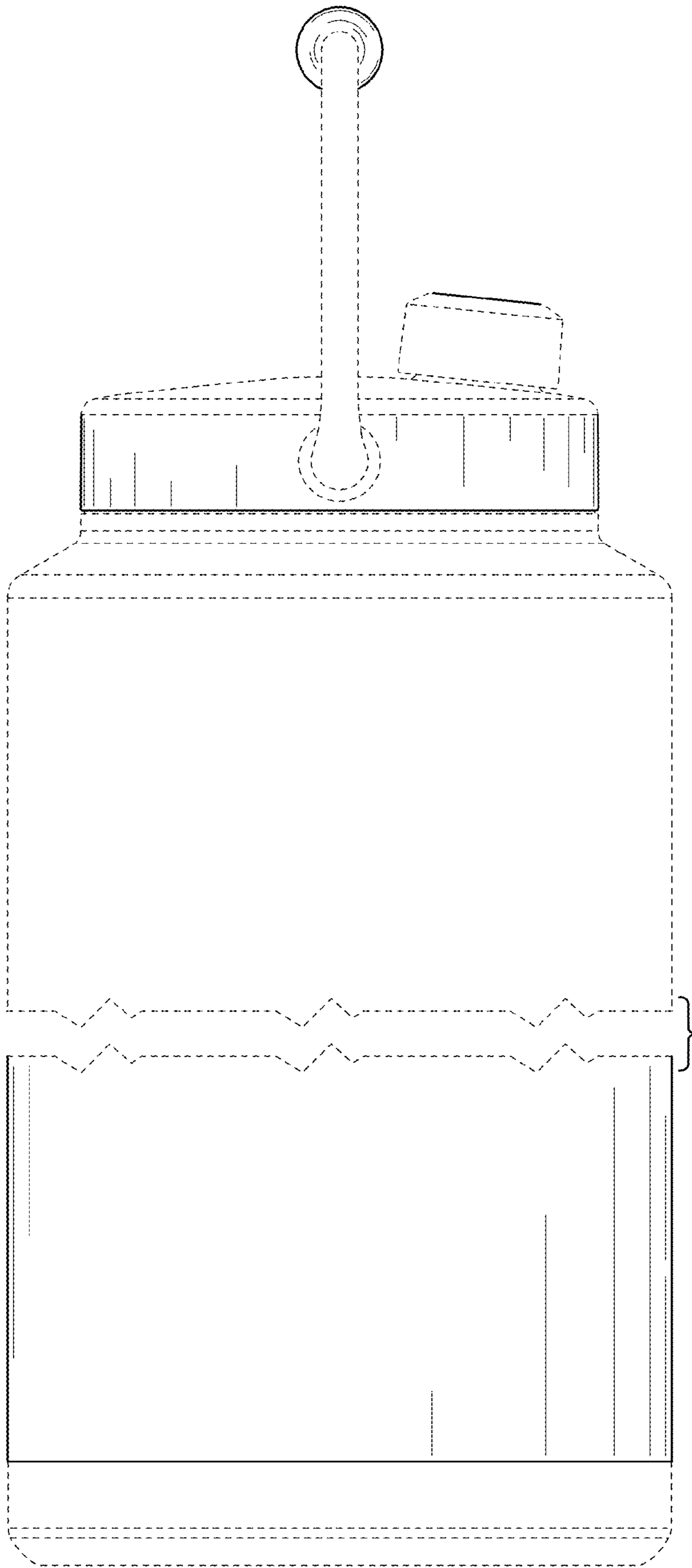


FIG. 5

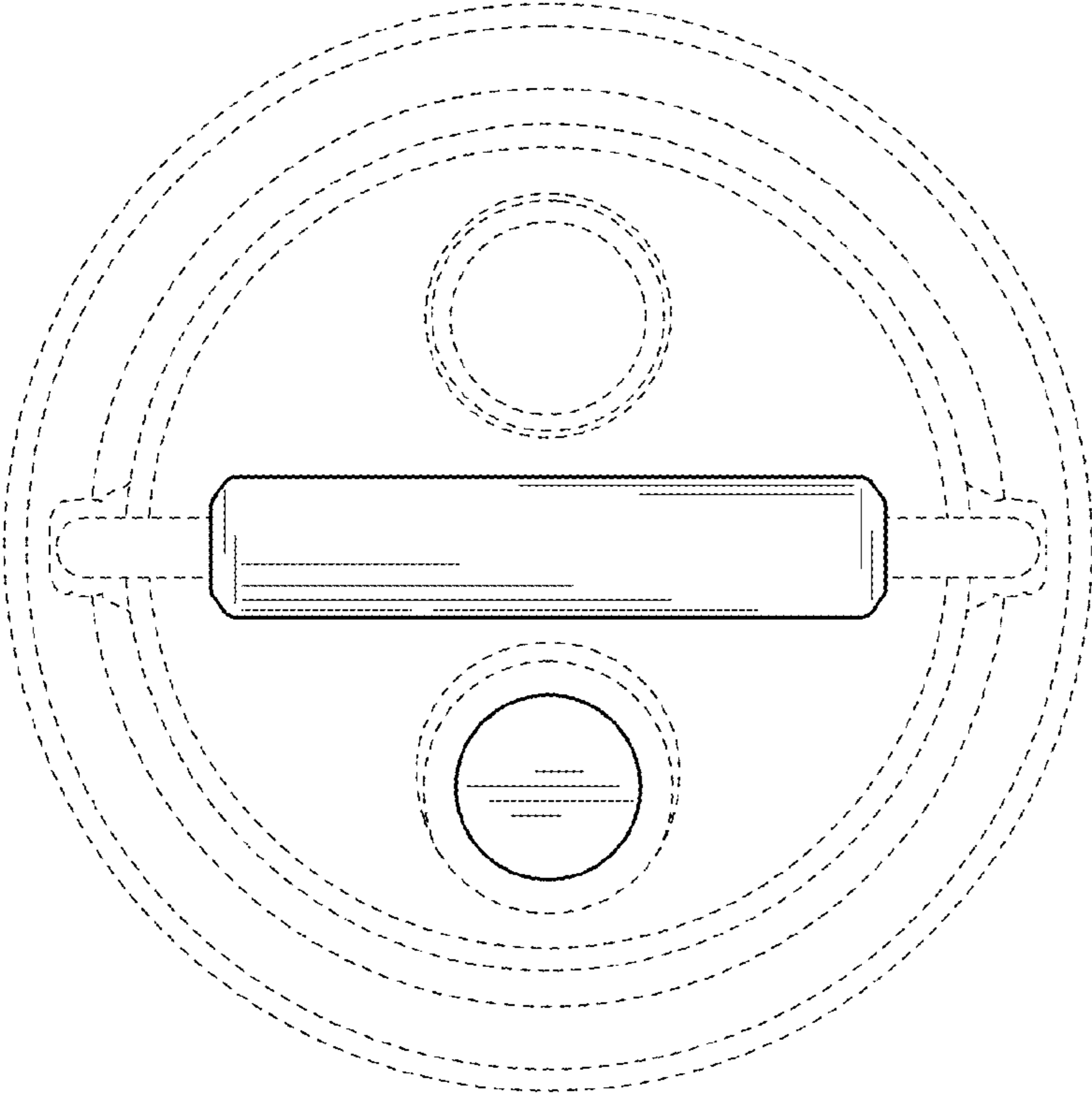


FIG. 6

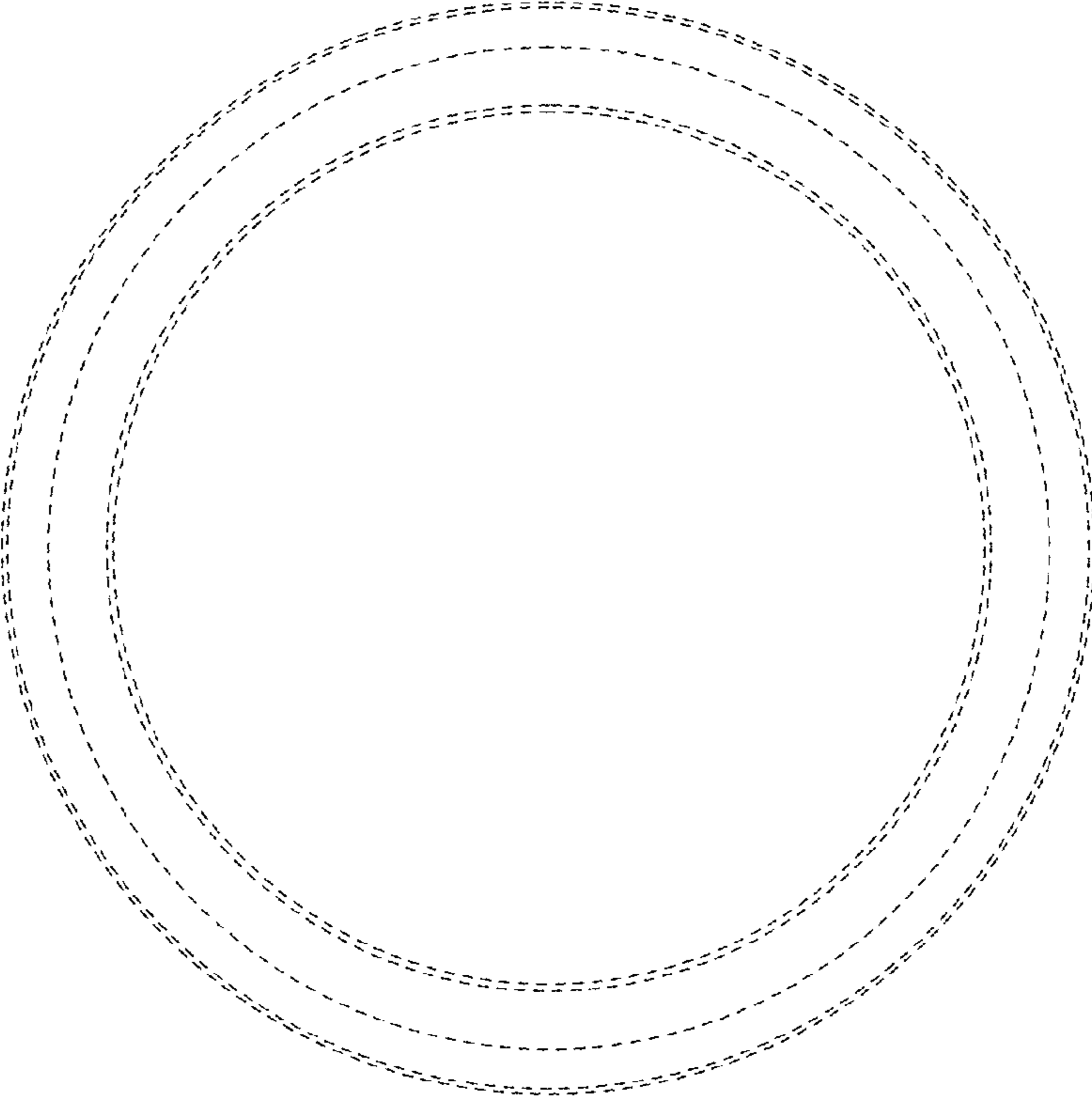


FIG. 7