

US00D960658S

(12) **United States Design Patent** (10) **Patent No.:** **US D960,658 S**  
**Inyang et al.** (45) **Date of Patent:** **\*\* Aug. 16, 2022**

(54) **BEVERAGE CONTAINER WITH A FLEXIBLE STRAP**

(71) Applicant: **Factory Enova, LLC**, Fountain Valley, CA (US)

(72) Inventors: **Seth Imo Inyang**, Anaheim, CA (US);  
**Vinh Lieu**, Fountain Valley, CA (US);  
**Feifei Wang**, Tongkang (CN)

(73) Assignee: **Factory Enova LLC.**, Fountain Valley, CA (US)

(\*\*) Term: **15 Years**

(21) Appl. No.: **29/764,470**

(22) Filed: **Dec. 30, 2020**

(51) **LOC (13) Cl.** ..... **07-10**

(52) **U.S. Cl.**  
USPC ..... **D7/608**; D3/202; D7/536

(58) **Field of Classification Search**  
USPC ..... D3/201, 202, 203.1, 215, 216, 221, 226,  
D3/323, 327, 224, 10-13, 218, 229;  
(Continued)

(56) **References Cited**

**U.S. PATENT DOCUMENTS**

4,200,323 A \* 4/1980 Cocksedge ..... A47J 45/10  
D7/622  
4,859,423 A \* 8/1989 Perlman ..... B65D 85/30  
206/214

(Continued)

**FOREIGN PATENT DOCUMENTS**

TW 120544-0001 \* 12/2007  
WO 2013090803 A1 6/2013  
WO 2015170302 A2 11/2015

**OTHER PUBLICATIONS**

Amazon.com, Site visited May 23, 2022, Nomader Collapsible Water Bottle, First available Nov. 14, 2015, <https://www.amazon.com/dp/B016AX6PEK> (Year: 2015).\*

(Continued)

*Primary Examiner* — Brett Miller  
*Assistant Examiner* — Jessica M Gebhart  
(74) *Attorney, Agent, or Firm* — iPA & iPM

(57) **CLAIM**

The ornamental design for a beverage container with a flexible strap, as shown and described.

**DESCRIPTION**

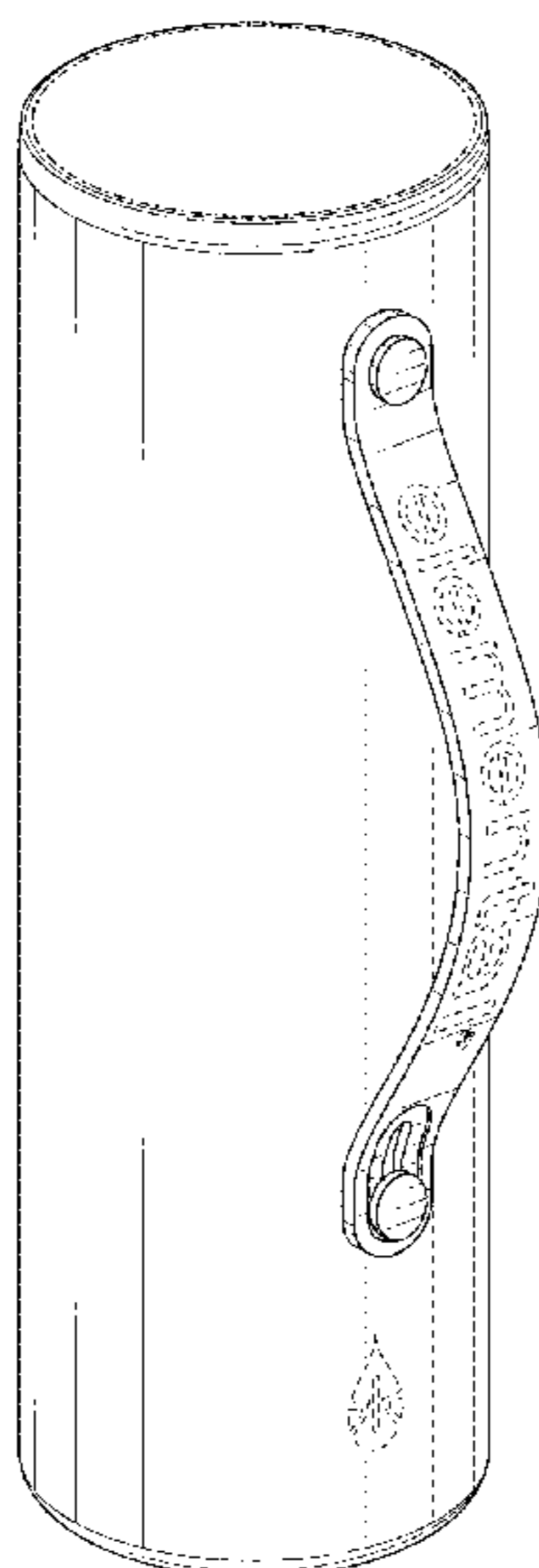
FIG. 1 is a front, right and top perspective view of a beverage container with a flexible strap in a first position, showing our new design;  
FIG. 2 is a top plan view thereof;  
FIG. 3 is a bottom plan view thereof;  
FIG. 4 is a front elevational view thereof, the back elevational view being a mirror image thereof;  
FIG. 5 is a left side elevational view thereof;  
FIG. 6 is a right side elevational view thereof;  
FIG. 7 is a front side elevational view of the beverage container with the flexible strap in a second position;  
FIG. 8 is a right side elevational view of the beverage container with the flexible strap in the second position; and,  
FIG. 9 is a right and top perspective view of the beverage container with the flexible strap in a third position and environmental subject matter of a lid and a hand.

The broken lines are shown for the purpose of illustrating parts of the article as well as exemplary environmental subject matter. None of the broken lines form part of the claimed design.

The dash-dot lines are included to represent the boundaries of the claimed design and form no part of the claimed design.

“Elemental” is a registered trademark of Factory eNova, LLC.

**1 Claim, 5 Drawing Sheets**



- (58) **Field of Classification Search**  
 USPC ..... D8/394, 395, 396; D7/605–607, 387,  
 D7/396, 622, 300, 301, 305, 507, 511,  
 D7/533, 608, 393, 536; D11/3;  
 D22/147; D9/455  
 CPC .... A44C 5/18; A45F 5/00; A45B 3/00; A45B  
 5/00; A47J 45/00  
 See application file for complete search history.

(56) **References Cited**

U.S. PATENT DOCUMENTS

D306,953 S *	4/1990	Kase .....	D7/608
D405,650 S *	2/1999	Meier .....	D7/608
D405,654 S	2/1999	Moran	
D406,495 S	3/1999	Moran	
D458,800 S	6/2002	Kotsonis	
D516,424 S	3/2006	Schweigert et al.	
D604,942 S *	12/2009	Smith .....	D3/202
D609,046 S	2/2010	Valderrama et al.	
D611,823 S *	3/2010	Sindler .....	D9/558
D641,591 S *	7/2011	Tsukida .....	D7/608
D655,090 S	3/2012	Puckett et al.	
D656,360 S	3/2012	Miller et al.	
D658,059 S	4/2012	Bailey	
D734,092 S	7/2015	Kristinik	
9,114,920 B1	8/2015	Edelman et al.	
D739,240 S	9/2015	Satterfield et al.	
D766,652 S	9/2016	Joseph et al.	
D784,072 S	4/2017	Baron et al.	
D784,765 S *	4/2017	Yao .....	D7/533
D786,025 S *	5/2017	Seiders .....	D7/624.2
D788,583 S	6/2017	Tu	

D789,140 S	6/2017	Joseph	
D792,738 S	7/2017	Savenok	
D804,807 S *	12/2017	Wengreen .....	D9/503
D812,470 S *	3/2018	Boston .....	D9/434
9,908,667 B1	3/2018	Smith et al.	
D815,487 S	4/2018	Chitayat et al.	
D817,092 S	5/2018	Pisarevsky	
D827,388 S *	9/2018	Kander .....	D9/503
D845,064 S	4/2019	Mulhauser et al.	
D867,134 S	11/2019	Savenok	
D900,541 S	11/2020	Inyang et al.	
D909,143 S *	2/2021	Pisarevsky .....	D7/608
2018/0042413 A1	2/2018	Althaher et al.	
2018/0206660 A1	7/2018	Heiman	
2019/0039788 A1	2/2019	Chambers	

OTHER PUBLICATIONS

Amazon.com, Site visited May 23, 2022, Pur-Go Stainless Steel Water Bottle Tumbler, First available Feb. 11, 2018, <https://www.amazon.com/Stainless-Steel-Water-Bottle-Tumblers/dp/B076WGTRT7> (Year: 2018).\*

Amazon.com, Site visited May 23, 2022, Calvin Insulated Water Bottle, First available Nov. 19, 2020, <https://www.amazon.com/K%C3%A4lvin-Insulated-Water-Bottle-Silver/dp/B08NQ35FWX> (Year: 2020).\*

Amazon.com, Site visited May 31, 2022, Hydrapak SkyFlask, First available Oct. 3, 2020, <https://www.amazon.com/Hydrapak-SkyFlask-Speed-Collapsible-Spill-Proof/dp/B08QDYNXXZ?th=1> (Year: 2020).\*

Inyang et al. Unpublished Design U.S. Appl. No. 29/769,535, filed Feb. 5, 2020.

\* cited by examiner

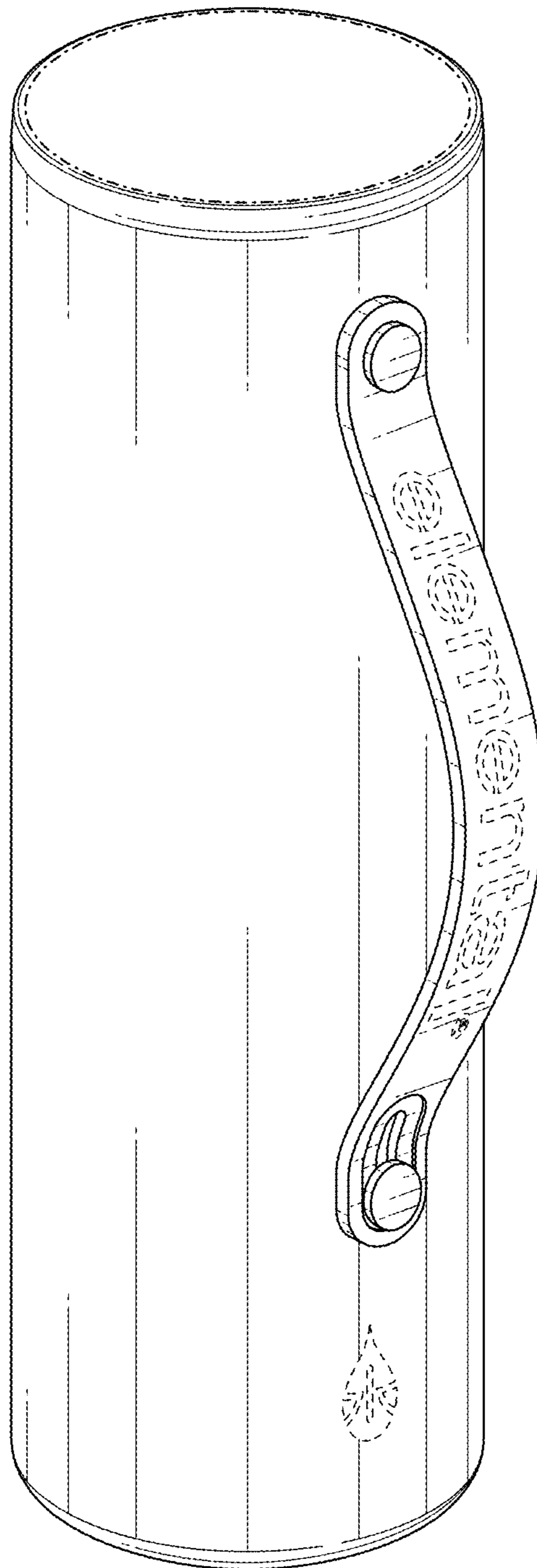


FIG. 1

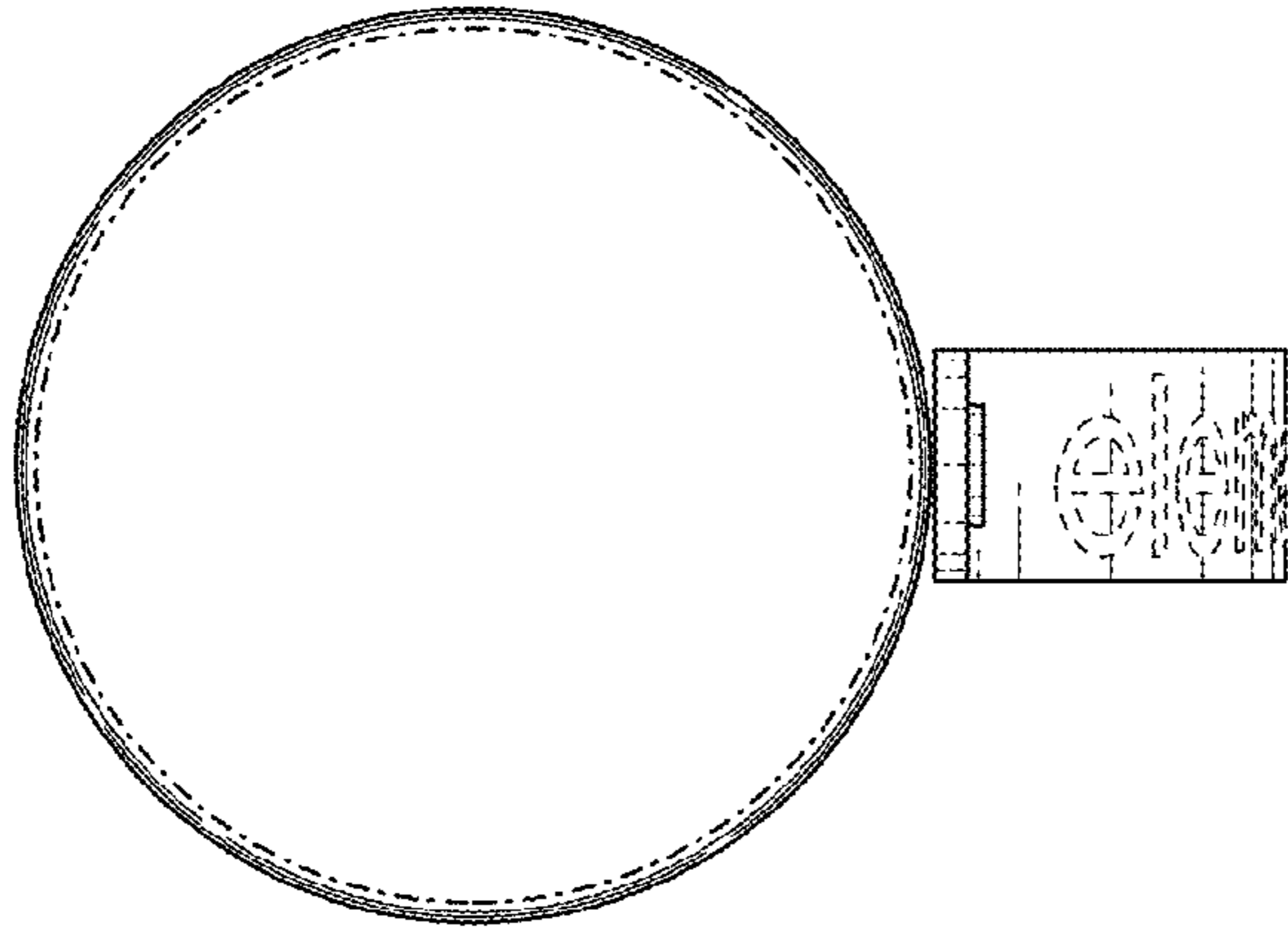


FIG. 2

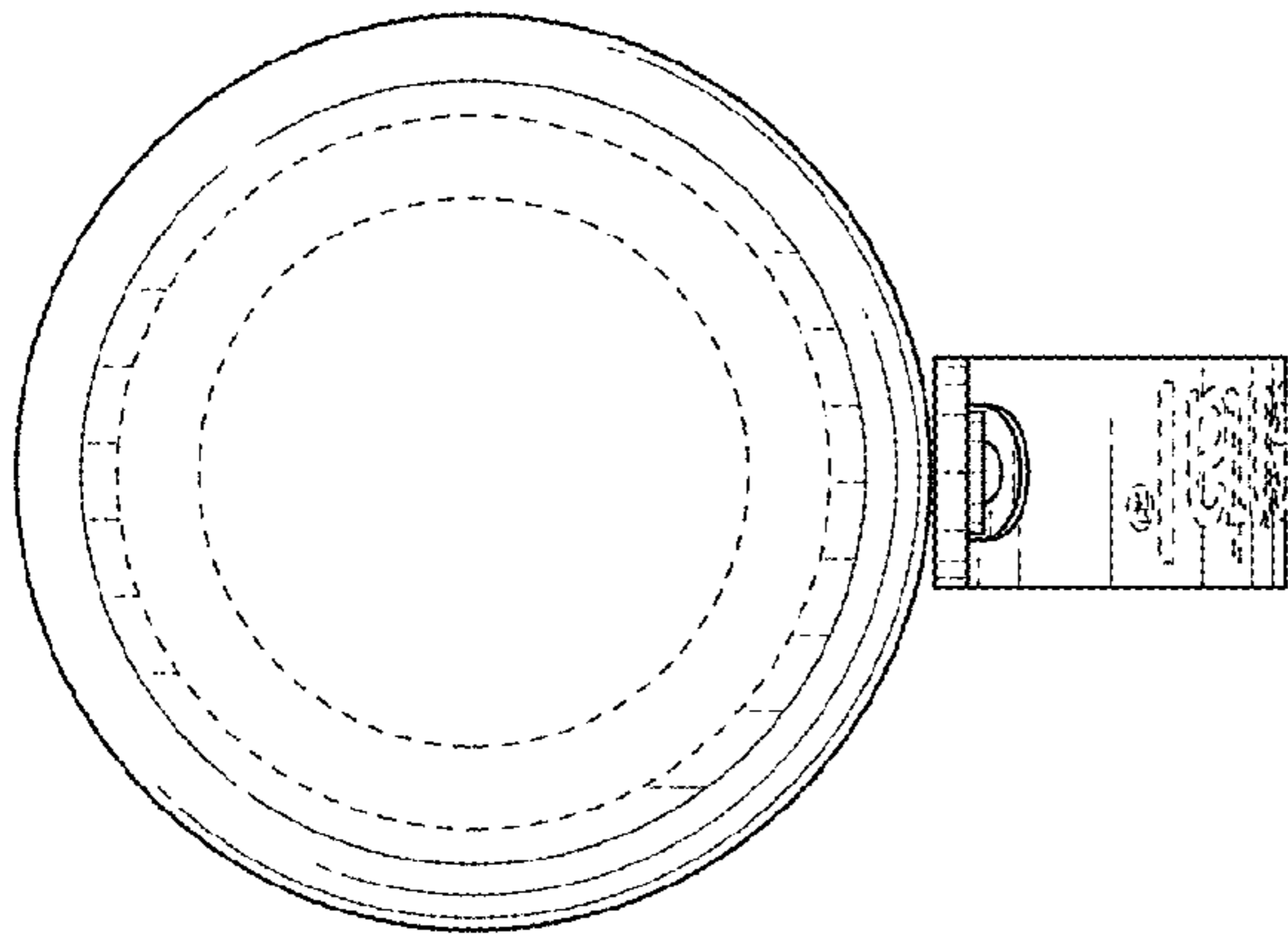


FIG. 3

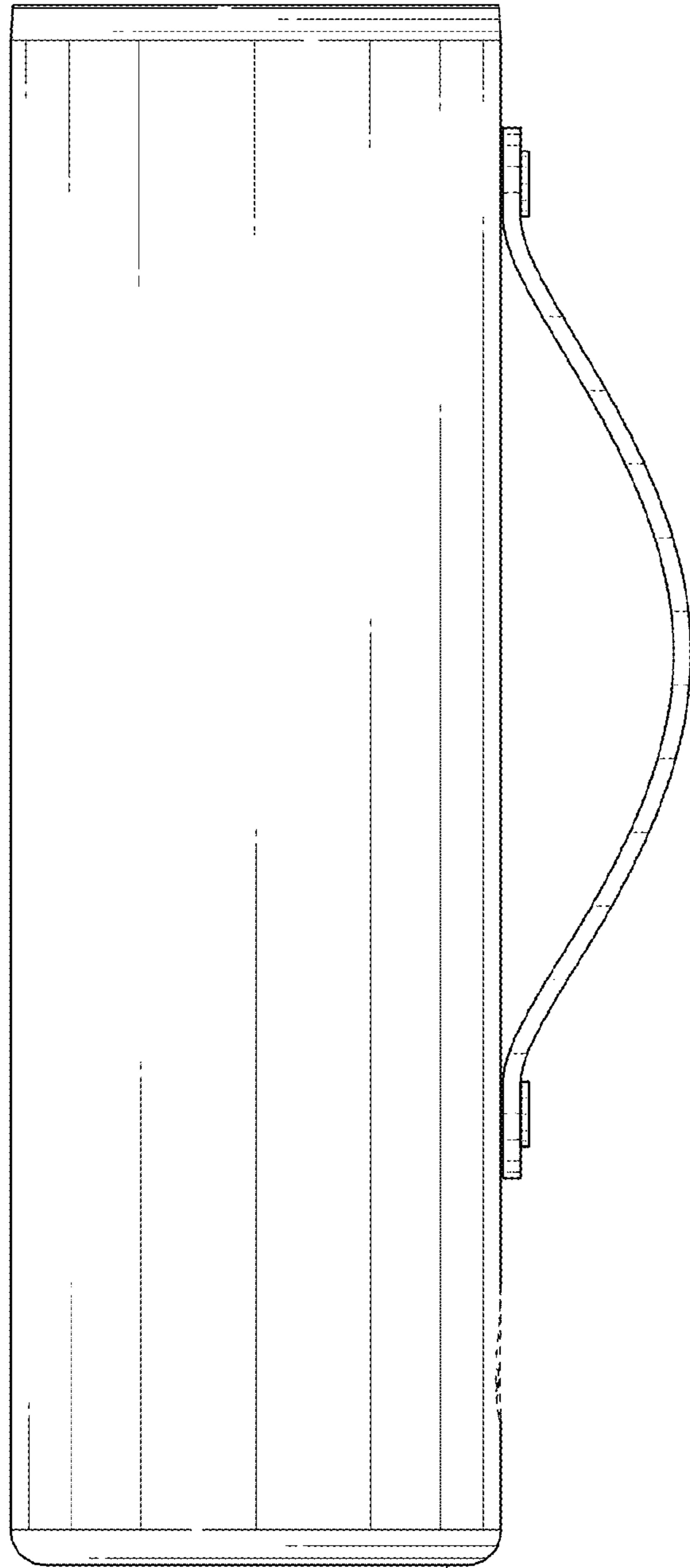


FIG. 4

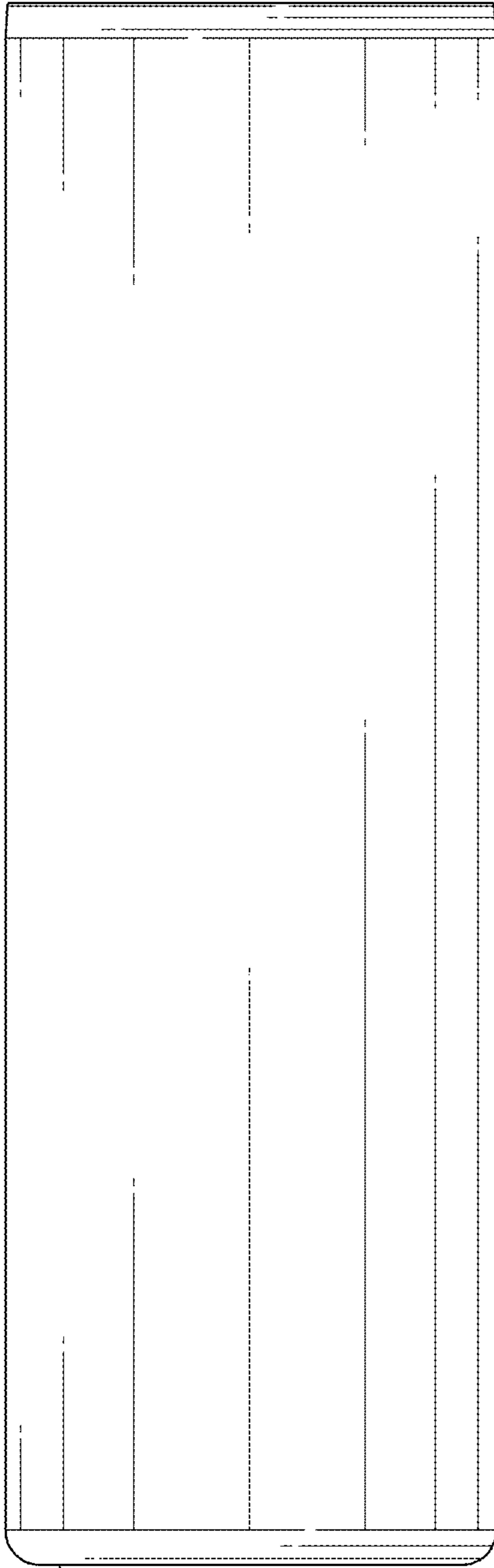


FIG. 5

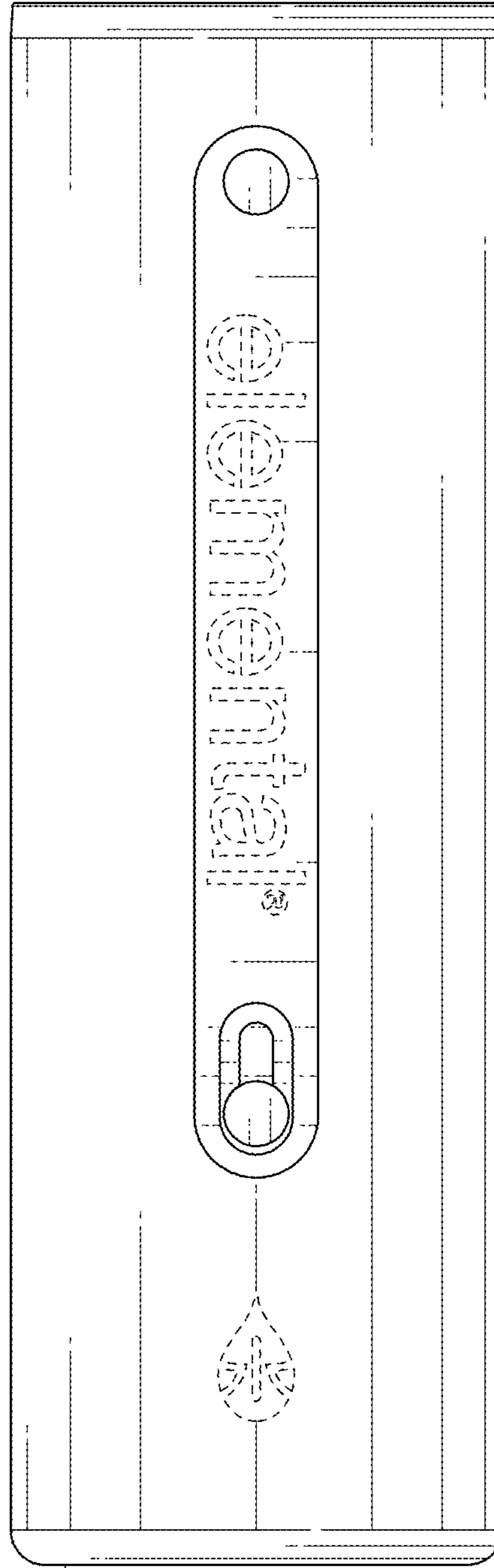


FIG. 6

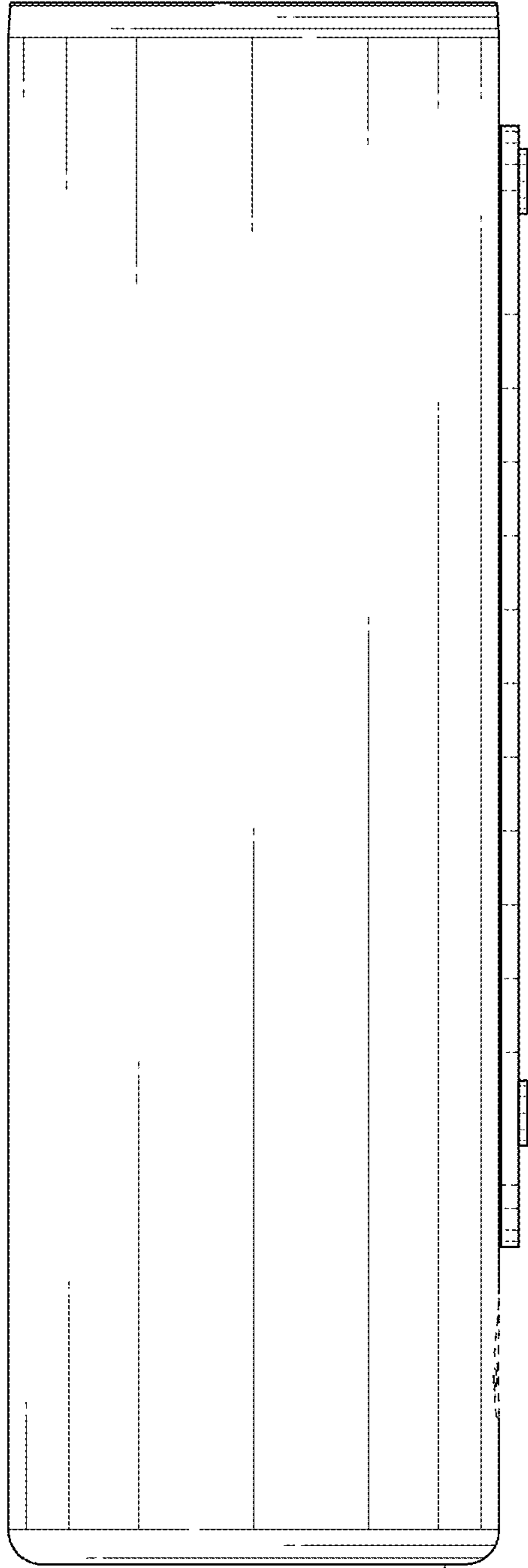


FIG. 7

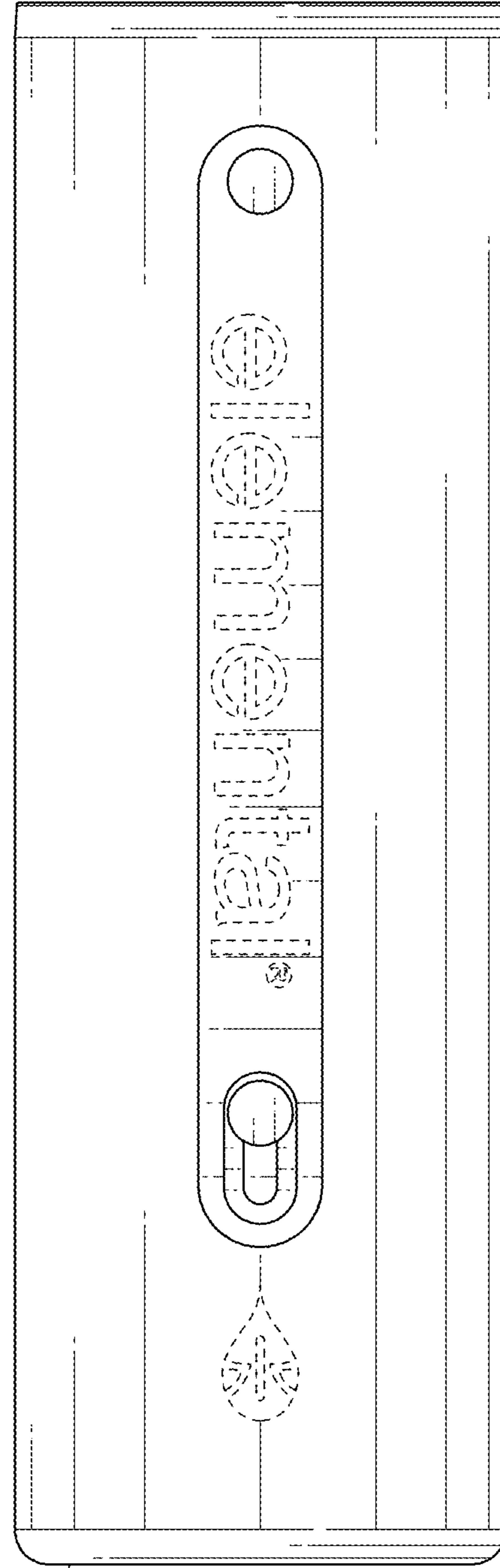


FIG. 8

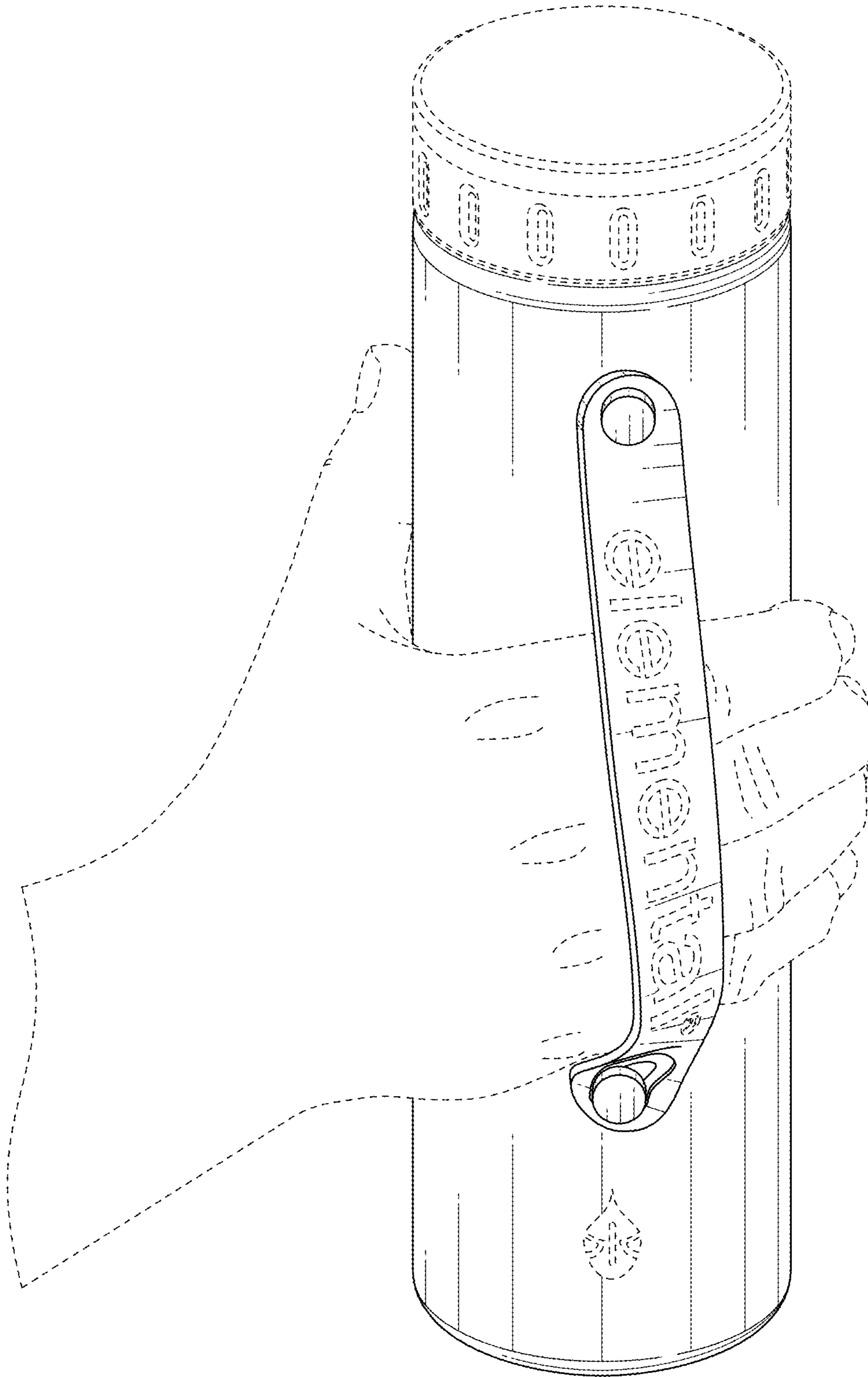


FIG. 9