

US00D960657S

(12) **United States Design Patent** (10) **Patent No.:** **US D960,657 S**  
**Wang** (45) **Date of Patent:** **\*\* Aug. 16, 2022**

(54) **CAN COOLER** D836,404 S \* 12/2018 Spivey ..... D7/608  
D913,048 S \* 3/2021 Wu ..... D7/629  
(71) Applicant: **SHENZHEN CAMPER** D923,400 S \* 6/2021 Wang ..... D7/396.2  
**ENTERPRISE CO., LTD**, Shenzhen D923,410 S \* 6/2021 Hamilton ..... D7/509  
(CN) D927,934 S \* 8/2021 Jianyi ..... D7/624.2  
D941,091 S \* 1/2022 Delgado Carmona . F24V 30/00  
D7/510  
(72) Inventor: **Longhong Wang**, Guangdong (CN) 2005/0279106 A1\* 12/2005 Leonzo ..... F24V 30/00  
126/263.08  
(\*\*) Term: **15 Years** 2019/0092540 A1\* 3/2019 Spivey ..... B65D 47/32

(21) Appl. No.: **29/755,654**  
(22) Filed: **Oct. 22, 2020**  
(51) **LOC (13) Cl.** ..... **07-01**  
(52) **U.S. Cl.**  
USPC ..... **D7/608**  
(58) **Field of Classification Search**  
USPC ..... D7/300, 300.1, 312, 313, 354, 355, 360,  
D7/361, 387, 391, 392, 396.2, 509, 510,  
D7/511, 512, 513, 523, 533, 536,  
D7/601-608, 619.1, 622, 624.1-624.3,  
D7/625, 629, 630, 709; D3/202,  
D3/215-217, 272-274, 276, 279, 283,  
D3/284, 294, 295, 299, 301, 318, 327;  
D9/500, 503, 504, 529, 530, 537-540,  
D9/549  
CPC ..... B65D 43/02; B65D 2543/00092; B65D  
81/3876  
See application file for complete search history.

(56) **References Cited**  
U.S. PATENT DOCUMENTS  
4,989,415 A \* 2/1991 Lombness ..... F25D 31/007  
62/372  
D513,939 S \* 1/2006 Leonzo ..... B65D 47/32  
D9/503  
D675,066 S \* 1/2013 Conlin ..... D7/608  
D713,686 S \* 9/2014 Eyal ..... D7/509  
D808,218 S \* 1/2018 Seiders ..... F25D 31/007  
D7/510

**OTHER PUBLICATIONS**

Lifejoymax 5-in-1 Insulated Can Cooler with Beer Opener, first available Sep. 29, 2021, Amazon, [online], [site visited Apr. 7, 2022], Available from internet URL: <https://www.amazon.com/Lifejoymax-Insulated-Stainless-Insulator-Drinking/dp/B09HH3HYCL> (Year: 2021).\*

(Continued)

*Primary Examiner* — Mary Ann Calabrese  
*Assistant Examiner* — Natalya M Rapundalo

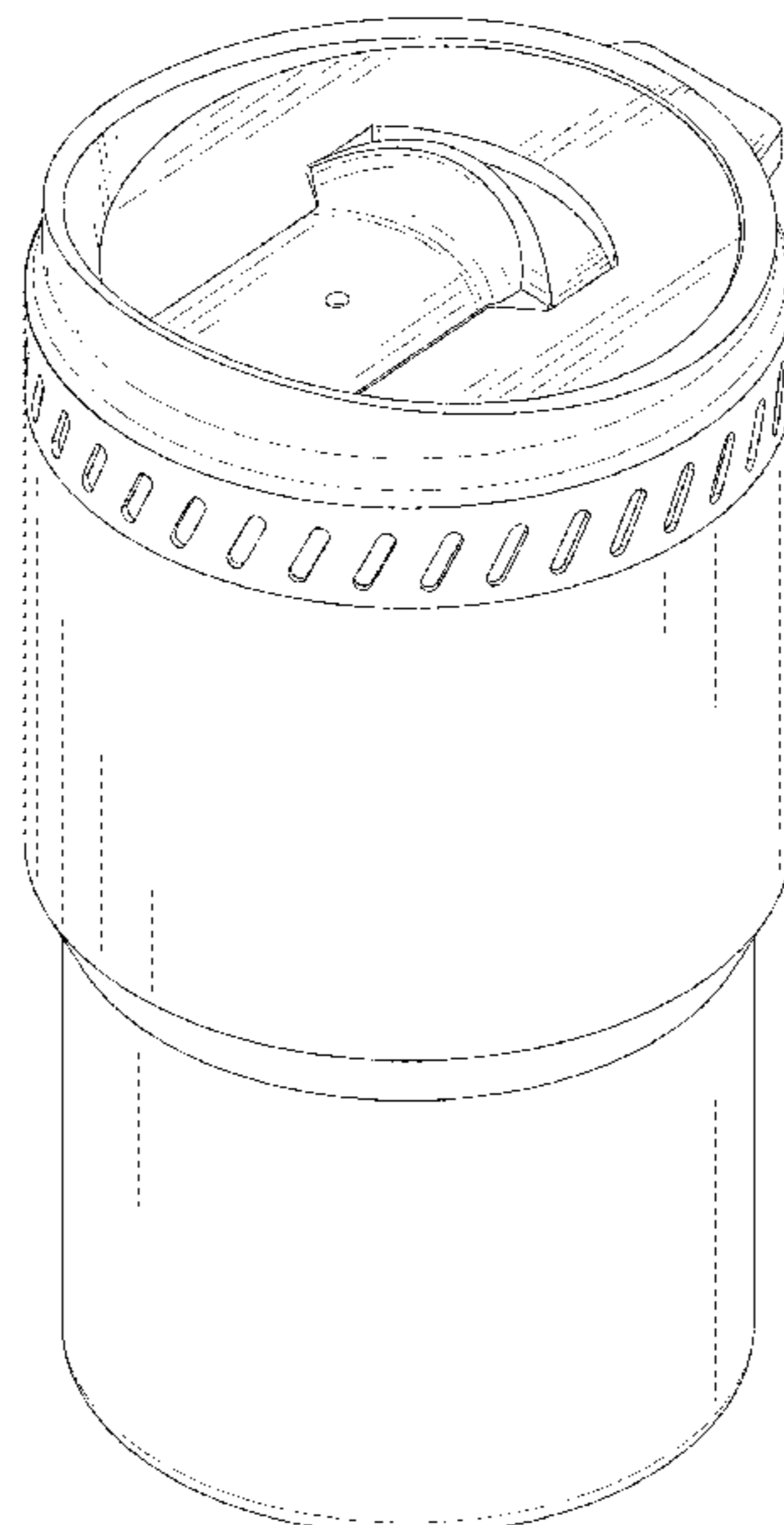
(57) **CLAIM**

The ornamental design for a can cooler, as shown and described.

**DESCRIPTION**

FIG. 1 is a front and top perspective view of a can cooler, showing my new design;  
FIG. 2 is a rear and bottom perspective view thereof;  
FIG. 3 is a front elevational view thereof;  
FIG. 4 is a rear elevational view thereof;  
FIG. 5 is a left side devotional view thereof;  
FIG. 6 is a right side elevational view thereof;  
FIG. 7 is a top plan view thereof; and,  
FIG. 8 is a bottom plan view thereof.  
The broken lines in the figures illustrate portions of the can cooler that form no part of the claimed design.

**1 Claim, 8 Drawing Sheets**



(56)

**References Cited**

OTHER PUBLICATIONS

4 in 1 Vacuum Insulated Stainless Steel Beer Bottle Cold Keeper, Walmart, [online], [site visited Apr. 7, 2022], Available from internet URL: <https://www.walmart.com/ip/4-1-Vacuum-Insulated-Stainless-Steel-Beer-Bottle-Cold-Keeper-Can-Cooler-Holder-Women-Men-Insulator-12-Ounce-Standard-Tall-Skinny-Slim-Cans-Bottles-BI/676736929> (Year: 2022).\*

\* cited by examiner

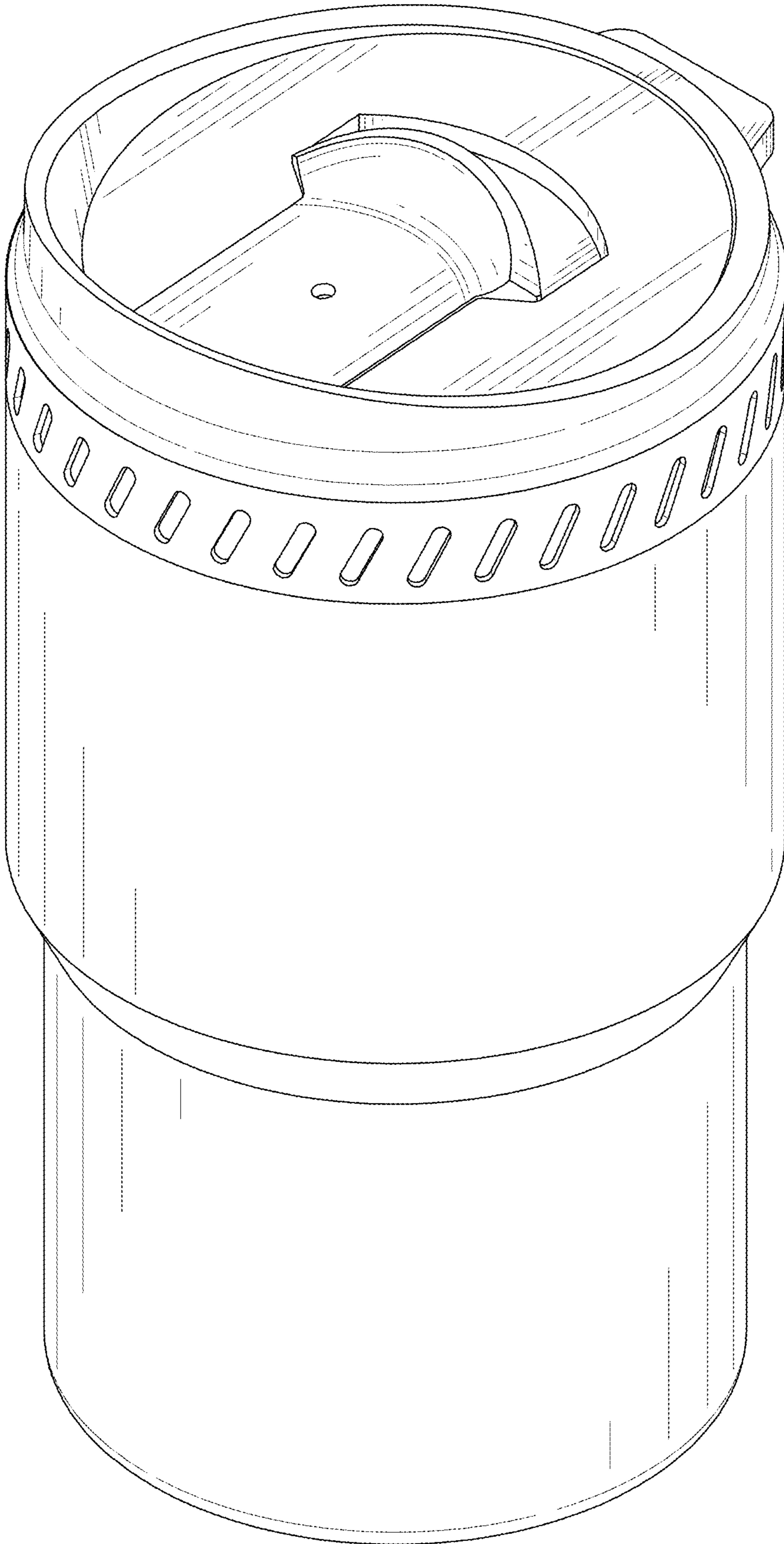


FIG. 1

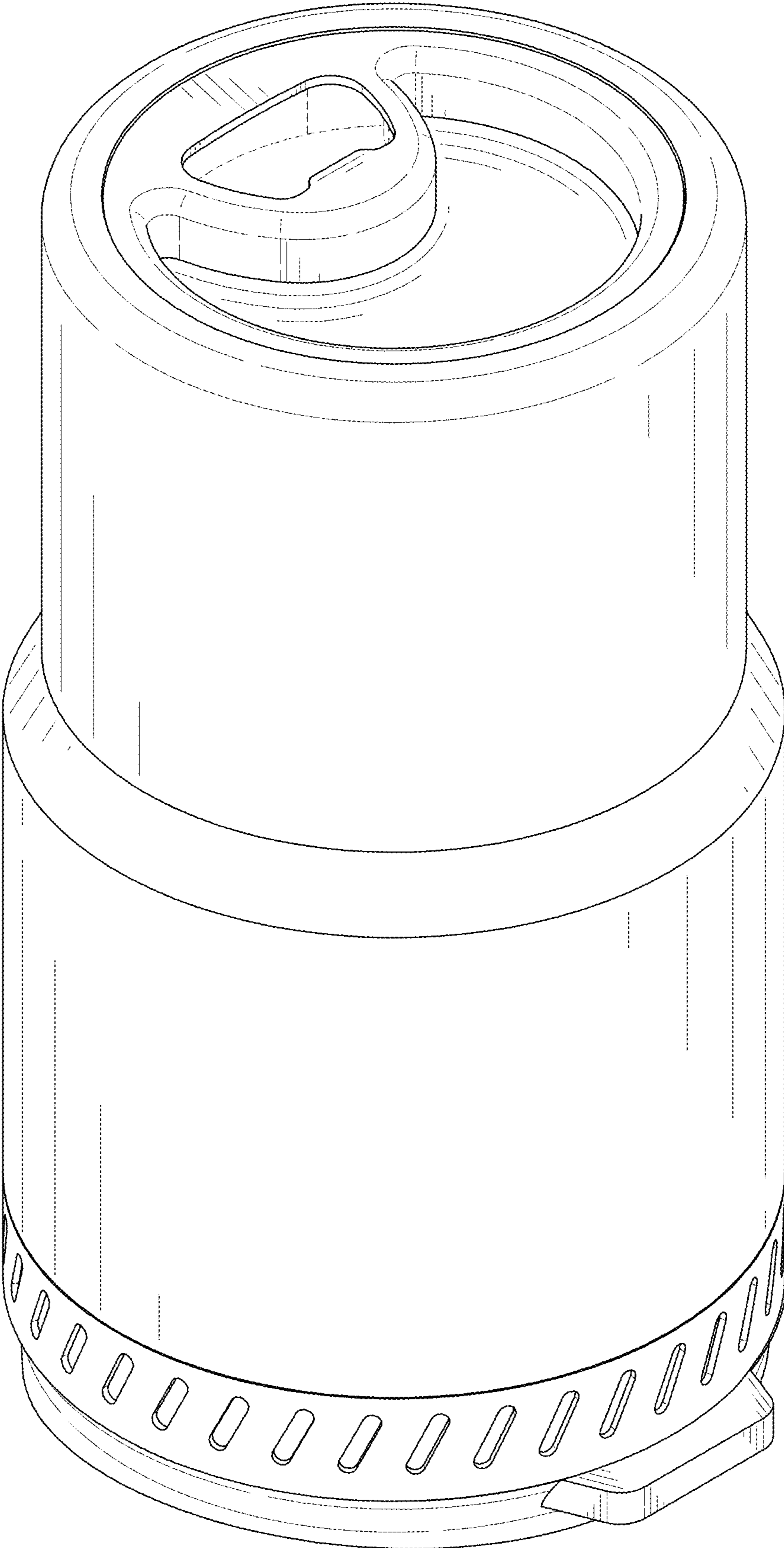


FIG. 2

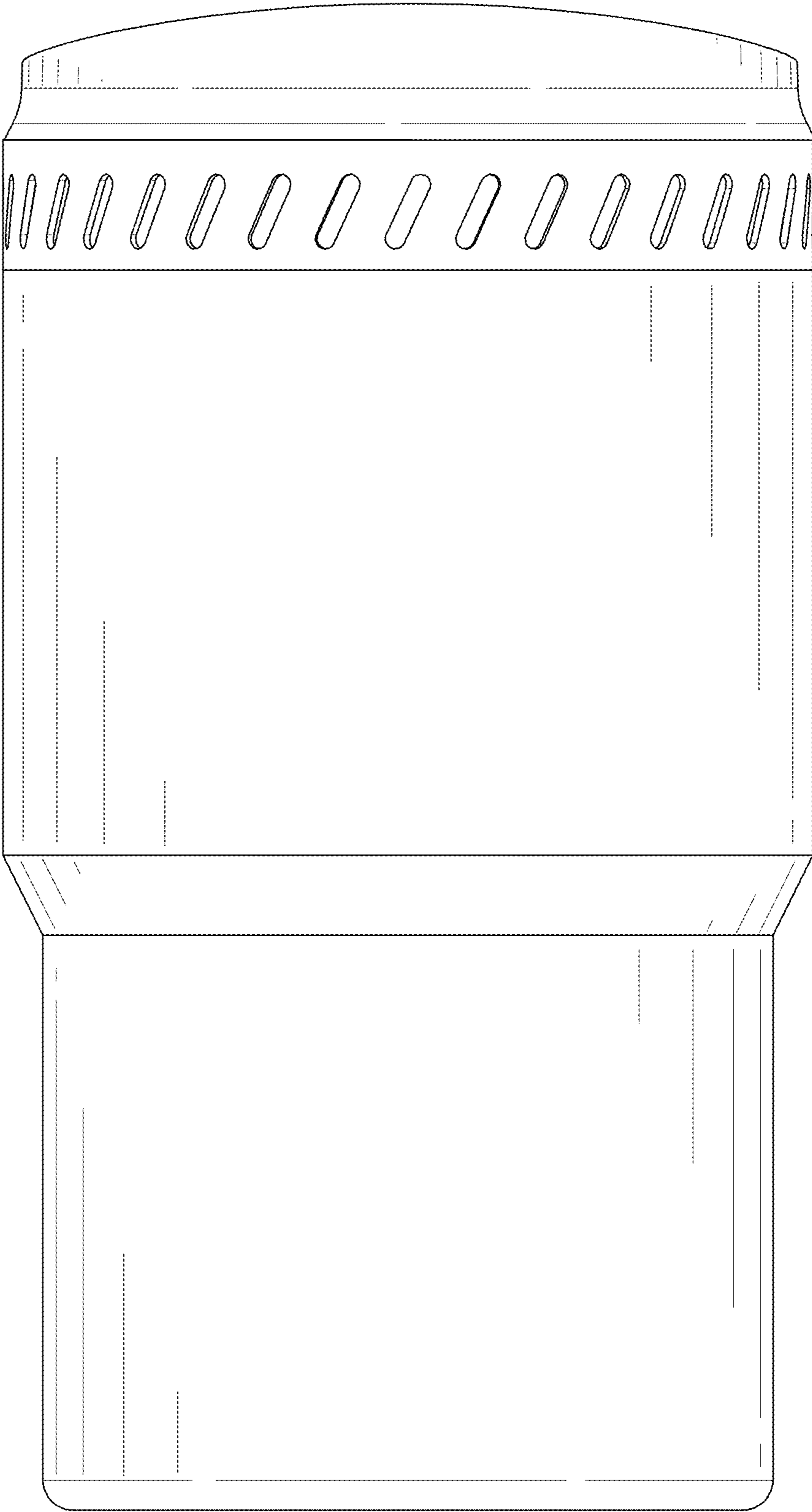


FIG. 3

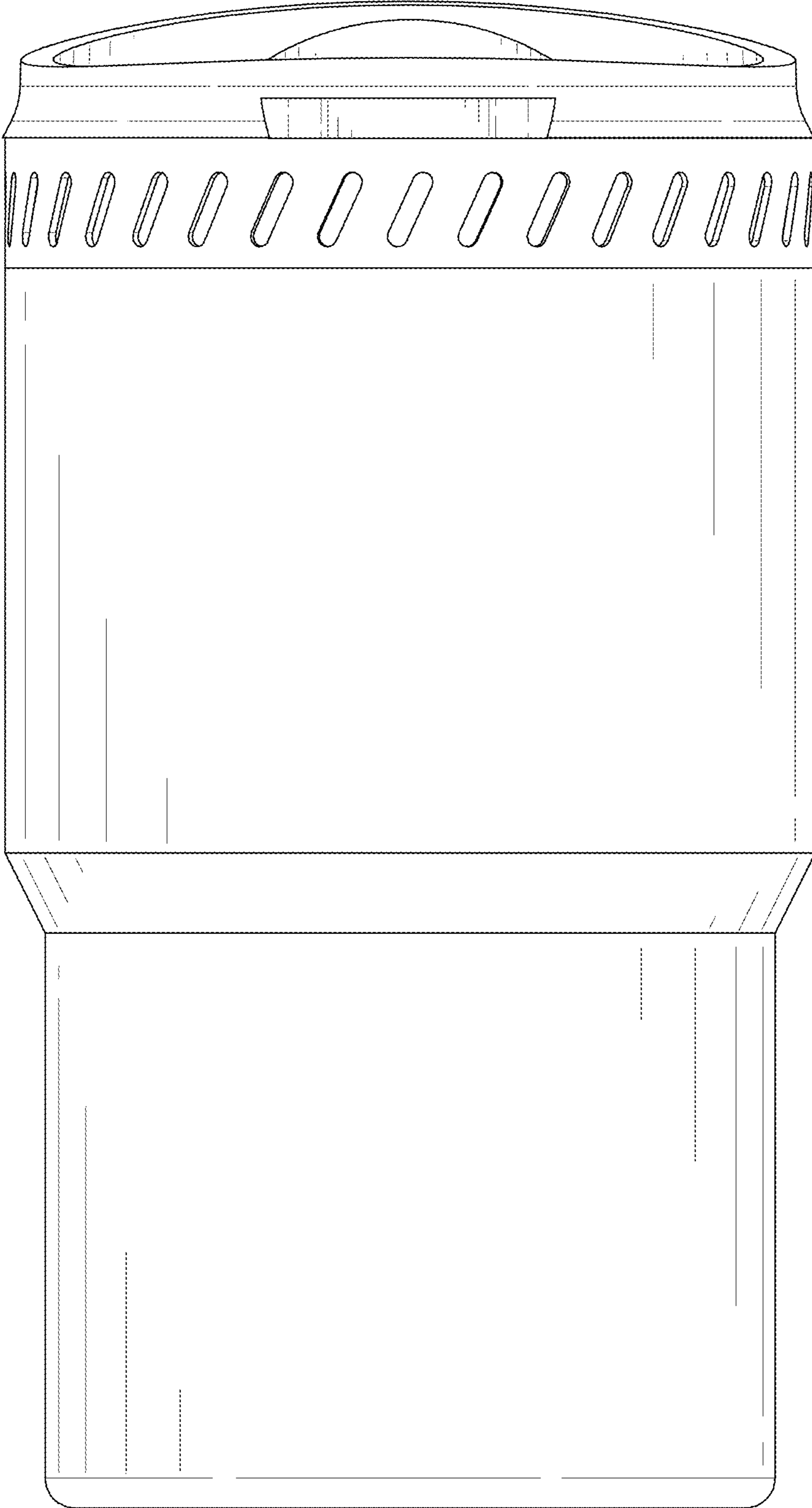


FIG. 4

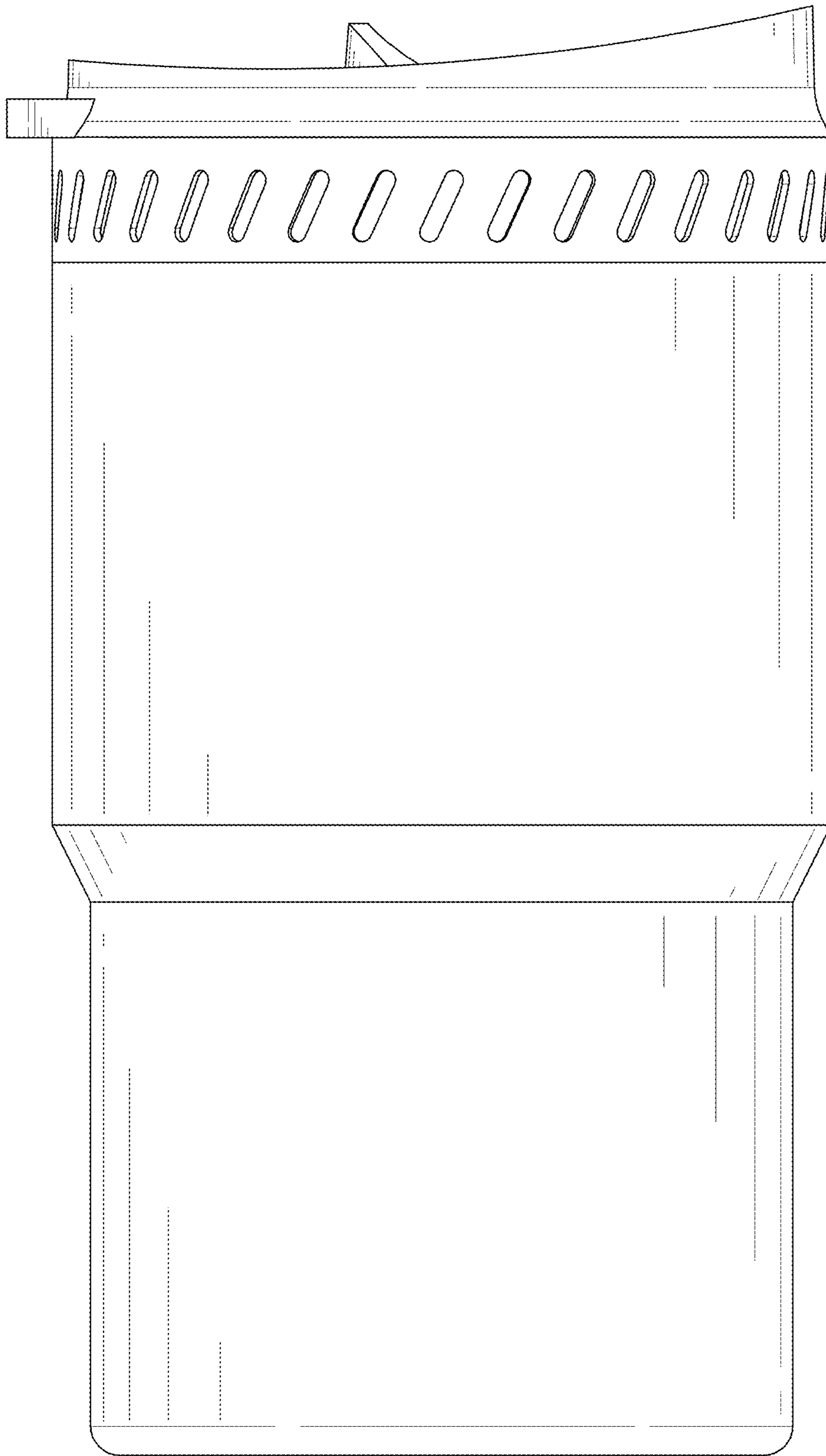


FIG. 5

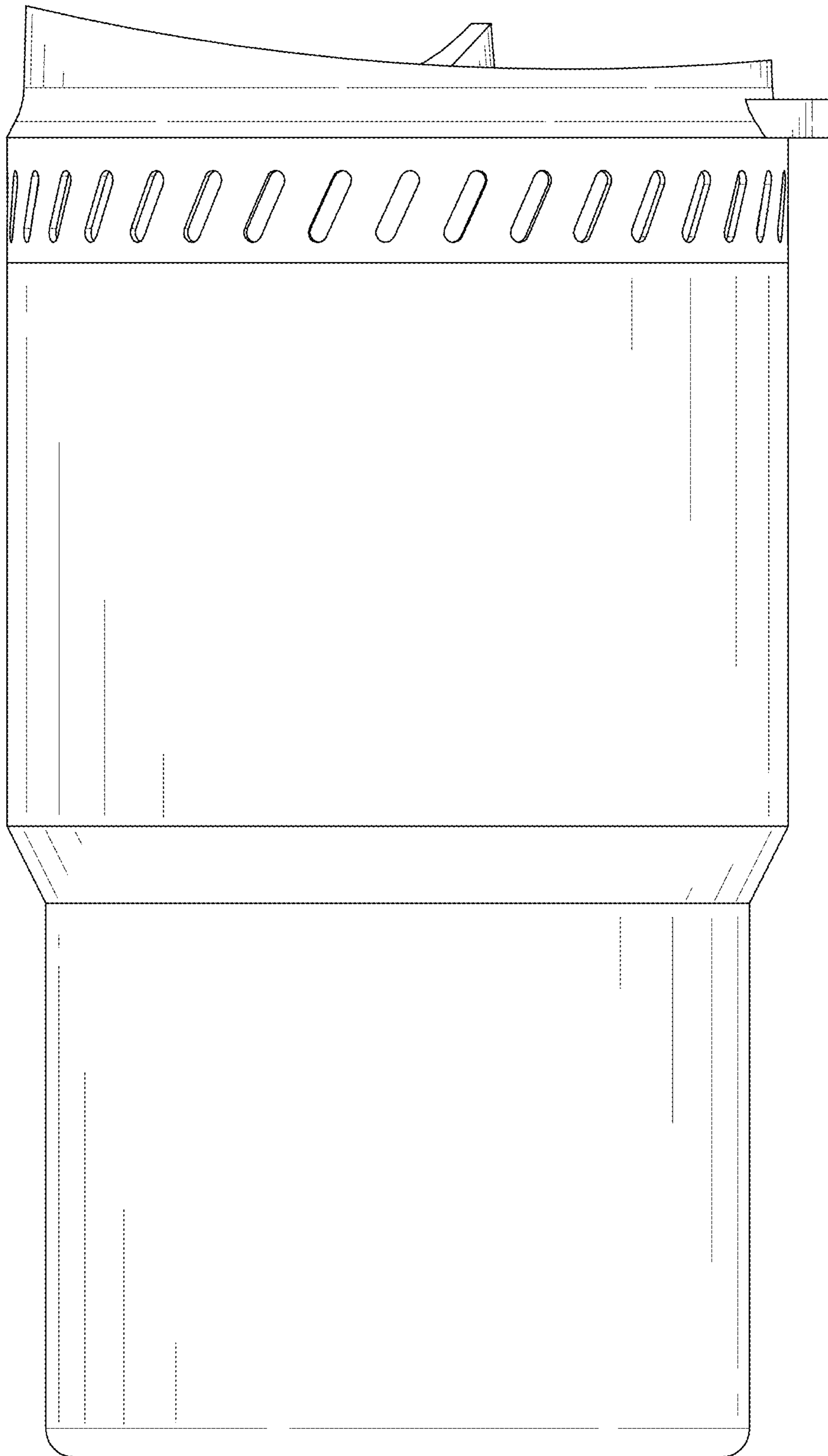


FIG. 6



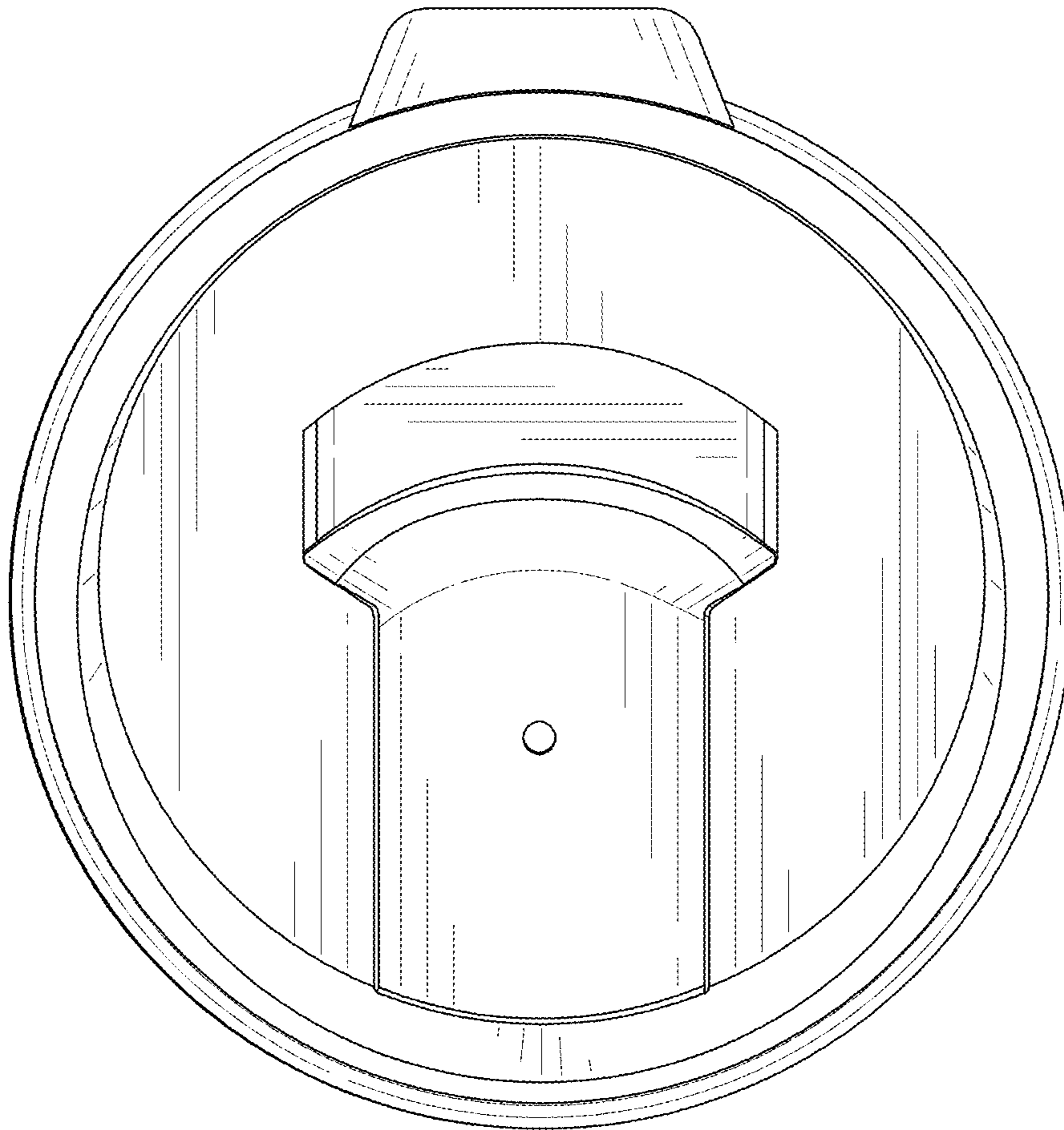


FIG. 7

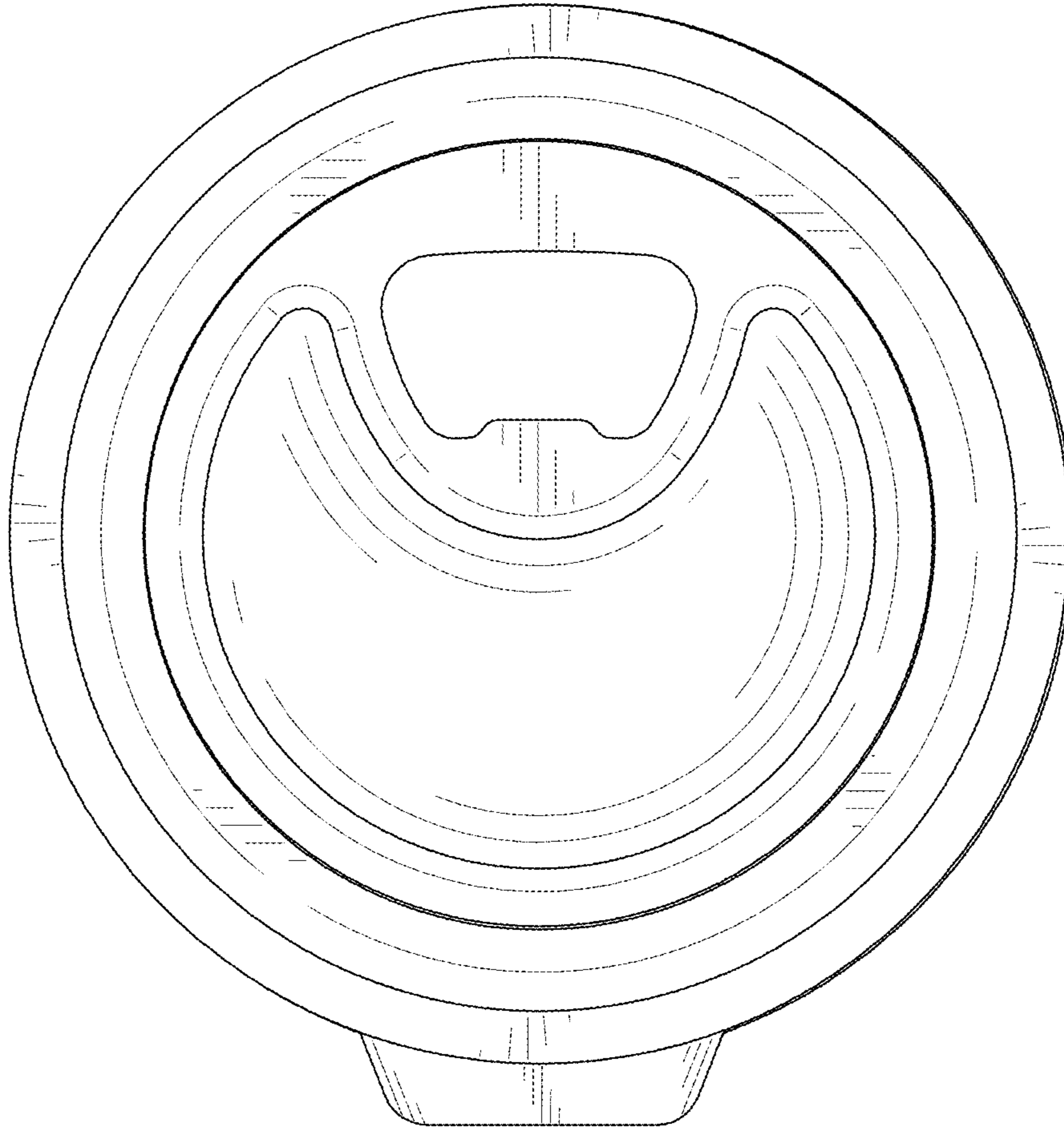


FIG. 8