



US00D960656S

(12) **United States Design Patent** (10) **Patent No.:** **US D960,656 S**
Nichols et al. (45) **Date of Patent:** **** Aug. 16, 2022**

(54) **BAG ACCESSORY**

B65D 81/3862; B65D 81/361; G07F 9/026; G07F 9/105; A61F 7/10

(71) Applicant: **YETI Coolers, LLC**, Austin, TX (US)

See application file for complete search history.

(72) Inventors: **Steve Charles Nichols**, Austin, TX (US); **Andy Bondhus**, Austin, TX (US); **Tobias Hotchkiss**, Austin, TX (US); **Mark Carlson Rane**, Austin, TX (US); **John Loudenslager**, Austin, TX (US); **Derek G. Sullivan**, Austin, TX (US)

(56)

References Cited

U.S. PATENT DOCUMENTS

(73) Assignee: **YETI Coolers, LLC**, Austin, TX (US)

(**) Term: **15 Years**

(21) Appl. No.: **29/800,117**

(22) Filed: **Jul. 19, 2021**

286,909 A	10/1883	Commander
749,959 A	1/1904	Curtiss
1,008,041 A	11/1911	Leonard
1,056,648 A	3/1913	Earley
2,101,337 A	12/1937	Komenak
2,109,928 A	3/1938	Passalacqua
2,183,121 A	12/1939	Levine
2,439,660 A	4/1948	Keil
2,455,069 A	11/1948	Lauder
2,472,491 A	6/1949	Quinton
2,510,643 A	6/1950	Long
2,565,939 A	8/1951	Wriston
2,574,089 A	11/1951	Cochran
2,577,951 A	12/1951	Cortsen
2,581,417 A	1/1952	Jones
2,604,961 A	7/1952	Koch
2,647,653 A	8/1953	Dube
2,717,093 A	9/1955	Mautner
2,747,732 A	5/1956	Fischer
2,803,956 A	8/1957	Womer
2,874,401 A	2/1959	Kotkins
2,912,080 A	11/1959	Ikelheimer
2,931,205 A	4/1960	Schmitz
2,936,189 A	5/1960	Pearson
3,009,193 A	11/1961	Lifton
3,057,636 A	10/1962	D'Ettorre
3,141,680 A	7/1964	McCord
3,191,244 A	6/1965	Burke
3,202,310 A	8/1965	Tibbets
3,225,983 A	12/1965	Majka
3,250,558 A	5/1966	McClintock
3,259,412 A	7/1966	Wheeler
3,416,701 A	12/1968	Kramer et al.
3,432,025 A	3/1969	Luhe
3,464,579 A	9/1969	Asenbauer
3,519,298 A	7/1970	Gley
3,565,305 A	2/1971	Belokin, Jr.
3,642,168 A	2/1972	Wiley, Jr. et al.
3,656,650 A	4/1972	Frater
3,661,410 A	5/1972	Larson et al.
3,688,942 A	9/1972	Mitchell et al.
3,690,708 A	9/1972	Worley et al.
3,741,433 A	6/1973	Bentley et al.
3,831,224 A	8/1974	MacMaster et al.
3,847,423 A	11/1974	Gley

Related U.S. Application Data

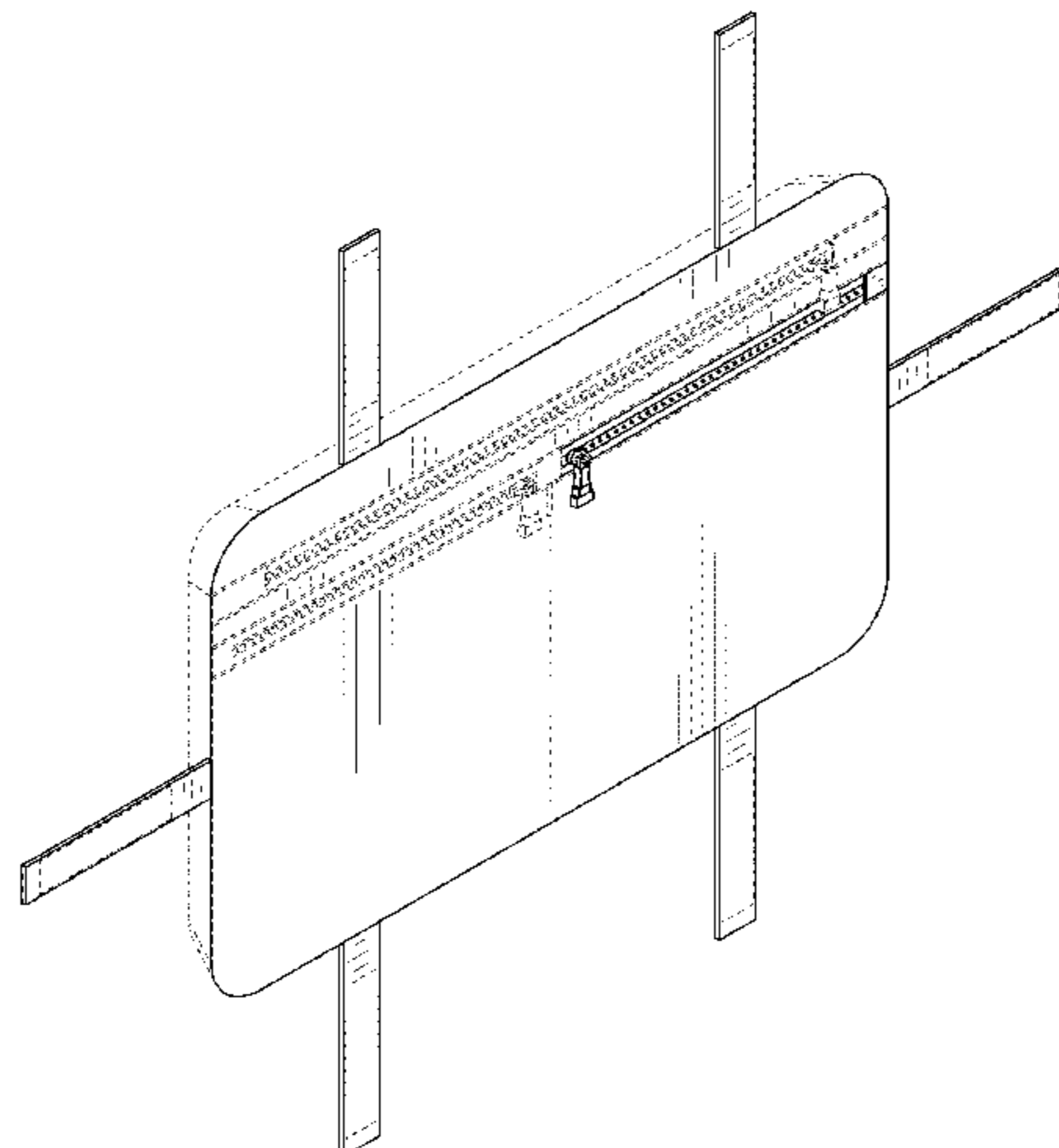
(63) Continuation of application No. 29/760,873, filed on Dec. 4, 2020, now Pat. No. Des. 925,299, which is a continuation of application No. 29/757,384, filed on Nov. 5, 2020, now Pat. No. Des. 929,814, which is a continuation of application No. 29/673,074, filed on Dec. 11, 2018, now Pat. No. Des. 907,445.

(51) **LOC (13) Cl.** **07-01**

(52) **U.S. Cl.**
USPC **D7/605; D3/301**

(58) **Field of Classification Search**
USPC D7/605-607, 629, 630, 709, 710;
D3/299, 301, 274, 201, 203.1-203, 8,
D3/205, 206

CPC A45C 11/20; A45C 3/00; A45C 2003/008;
A45C 5/03; F25D 2331/804; F25D 2331/801; F25D 3/08; F25D 3/02; F25D 3/04; F25D 3/06; F25D 3/14; F25D 3/107; B65D 81/38; B65D 81/3813; B65D 81/3816; B65D 81/3818; B65D 81/382; B65D 81/3823; B65D 81/3825; B65D 81/3827; B65D 81/383; B65D 81/3832; B65D 81/3834; B65D 81/3848; B65D 81/3851; B65D 81/3853; B65D 81/3855; B65D 81/3858; B65D 81/386;



US D960,656 S

3,861,504 A	1/1975	McGraw		5,165,583 A	11/1992	Kouwenberg
3,882,914 A	5/1975	Strutz		5,167,433 A	12/1992	Ryan
3,886,625 A	6/1975	Rollband		5,169,018 A	12/1992	Fiore
3,902,628 A	9/1975	Schurman		D333,775 S	3/1993	Krape
3,915,362 A	10/1975	Hart		D334,870 S	4/1993	Griffin
3,917,038 A	11/1975	Foge et al.		D335,030 S	4/1993	Alfonso
3,933,269 A	1/1976	Mastrovito		5,205,413 A	4/1993	Cautereels et al.
3,955,656 A	5/1976	Kashinski		5,213,381 A	5/1993	Anderson
3,987,829 A	10/1976	Leone		5,216,905 A	6/1993	Sersch et al.
3,991,921 A	11/1976	Hirsch		5,235,830 A	8/1993	Benge
4,094,392 A	6/1978	Gregg et al.		D340,167 S	10/1993	Kahl
4,095,711 A	6/1978	Conley		D342,609 S	12/1993	Brightbill
4,116,479 A	9/1978	Poe		5,269,157 A	12/1993	Ciminelli et al.
4,143,442 A	3/1979	Harlang		5,282,706 A	2/1994	Anthony et al.
4,153,178 A	5/1979	Weavers		5,295,369 A	3/1994	Garcia
4,184,705 A	1/1980	Little		D347,114 S	5/1994	Tengvall
D256,630 S	9/1980	Maney		5,313,817 A	5/1994	Meinders
D257,218 S	10/1980	Eriksson		D347,971 S	6/1994	Krugman
4,249,760 A	2/1981	Conley		5,319,937 A	6/1994	Fritsch et al.
4,254,850 A	3/1981	Knowles		5,322,178 A	6/1994	Foos
4,273,223 A	6/1981	Tomlinson		5,335,451 A	8/1994	Druzynski
4,343,412 A	8/1982	Wilcox et al.		D351,533 S	10/1994	Lynam, Jr.
4,351,165 A	9/1982	Gottsegen et al.		5,353,946 A	10/1994	Behrend
4,446,705 A	5/1984	Loucks		5,358,082 A	10/1994	Armstrong, IV
4,465,189 A	8/1984	Molzan		5,373,708 A	12/1994	Dumoulin, Jr.
4,476,988 A	10/1984	Tanner		D355,568 S	2/1995	Paulin et al.
4,509,622 A	4/1985	Morszeck		5,390,811 A	2/1995	Ogino et al.
4,515,421 A *	5/1985	Steffes	A45C 11/20	5,402,557 A	4/1995	Dalen
			312/351	D358,765 S	5/1995	Dickinson et al.
4,516,686 A	5/1985	Chaussepied		5,419,432 A	5/1995	Ingram
4,522,312 A	6/1985	Rathgeber et al.		5,423,644 A	6/1995	First, Sr.
4,523,692 A	6/1985	Lemkin		5,427,308 A	6/1995	Swift et al.
4,550,813 A	11/1985	Browning		D359,836 S	7/1995	Shuler
4,561,526 A	12/1985	Winter et al.		5,431,263 A	7/1995	Nordstrom
4,573,202 A	2/1986	Lee		5,435,256 A	7/1995	Svehaug
4,575,109 A	3/1986	Cowdery		D361,664 S	8/1995	Brown
D283,666 S	5/1986	Holzkopf		D361,888 S	9/1995	Kahl et al.
4,592,482 A	6/1986	Seager		5,454,477 A	10/1995	Bornhorst et al.
4,615,464 A	10/1986	Byrns		D364,426 S	11/1995	Bucaccio
4,662,188 A	5/1987	Hullihan		5,465,985 A	11/1995	Devan et al.
4,673,207 A	6/1987	Reynolds et al.		5,478,097 A	12/1995	Forma
D290,908 S *	7/1987	Thomas	D3/274	D367,360 S	2/1996	Wolff
4,706,344 A	11/1987	Tanaka et al.		D368,161 S	3/1996	Miller
4,707,011 A	11/1987	McKim, Jr.		D369,342 S	4/1996	Williams
4,712,657 A	12/1987	Myers et al.		D369,695 S	5/1996	Imotani
4,746,008 A	5/1988	Heverly et al.		5,518,139 A	5/1996	Trower et al.
4,768,815 A	9/1988	Harmon		5,519,919 A	5/1996	Lee
4,775,072 A	10/1988	Lundblade et al.		D370,619 S	6/1996	Hall et al.
4,792,024 A	12/1988	Morton et al.		D371,051 S	6/1996	Melk
4,802,344 A	2/1989	Livingston et al.		D371,052 S	6/1996	Melk
4,805,272 A	2/1989	Yamaguchi		5,524,737 A	6/1996	Wang
4,826,060 A	5/1989	Hollingsworth		5,526,953 A	6/1996	Chieng
4,858,444 A	8/1989	Scott		D371,724 S	7/1996	Melk
4,873,841 A	10/1989	Bradshaw et al.		D371,942 S	7/1996	Lippincott et al.
4,899,904 A	2/1990	Dooley et al.		5,533,231 A	7/1996	Bai
4,904,007 A	2/1990	Woodruff		D373,514 S	9/1996	Melk
4,917,261 A	4/1990	Borst		D373,515 S	9/1996	Melk
4,928,800 A	5/1990	Green et al.		5,564,805 A	10/1996	Dickinson
4,930,649 A	6/1990	Moser		5,568,848 A	10/1996	Liang
4,975,073 A	12/1990	Weisman		5,570,915 A	11/1996	Asadurian
4,982,863 A	1/1991	Skillius		5,575,362 A	11/1996	Franklin et al.
5,011,013 A	4/1991	Meisner et al.		5,590,891 A	1/1997	Kazmark, Jr.
5,011,020 A	4/1991	Stevens et al.		5,603,545 A	2/1997	Benson et al.
5,014,830 A	5/1991	Seynhaeve		5,620,212 A	4/1997	Bourne et al.
5,024,471 A	6/1991	Kahl et al.		5,620,213 A	4/1997	Ellis
5,040,834 A	8/1991	Kahl et al.		5,626,373 A	5/1997	Chambers et al.
5,044,513 A	9/1991	Van Berne		5,630,630 A	5/1997	Price et al.
5,062,557 A	11/1991	Mahvi et al.		D380,369 S	7/1997	Antonucci
5,075,925 A	12/1991	Maloney		D381,512 S	7/1997	Green
5,080,250 A	1/1992	Dickinson et al.		D381,562 S	7/1997	Westcott
5,096,030 A	3/1992	Espinosa et al.		D381,871 S	8/1997	Melk
5,101,541 A	4/1992	Watanabe		D382,114 S	8/1997	Dickinson et al.
5,111,920 A	5/1992	Castelli et al.		D383,306 S	9/1997	Pennoyer
D327,427 S	6/1992	McCooey		D383,603 S	9/1997	Pedlar
5,117,952 A	6/1992	Suh		5,662,223 A	9/1997	Syleg.ang.rd
D328,186 S	7/1992	Hanke		5,683,097 A	11/1997	Fenton et al.
5,139,294 A	8/1992	Ward et al.		5,688,001 A	11/1997	Klein et al.
D329,135 S	9/1992	Embree		D387,249 S	12/1997	Mogil
5,153,561 A	10/1992	Johnson		D387,558 S	12/1997	Mann et al.

US D960,656 S

D387,626 S	12/1997	Melk	6,353,978 B1	3/2002	Kawahara et al.
5,704,158 A	1/1998	Whiteaker	6,357,080 B1	3/2002	Tsai
5,718,350 A	2/1998	Williams	6,360,400 B1	3/2002	Chang
D392,510 S	3/1998	Perez	6,363,739 B1	4/2002	Hodosh et al.
5,727,844 A	3/1998	O'Quinn et al.	6,367,602 B1	4/2002	Chang
5,732,987 A	3/1998	Wright et al.	6,371,320 B2	4/2002	Sagol
5,755,311 A	5/1998	Younessian et al.	6,371,346 B1	4/2002	Sharma
5,762,242 A	6/1998	Yost	6,375,237 B1	4/2002	Koenig
5,762,411 A	6/1998	Yemini	D457,724 S	5/2002	Och
5,769,194 A	6/1998	Chang	D457,725 S	5/2002	Parsons
5,797,488 A	8/1998	Yemini	6,389,645 B1	5/2002	Polidoro
5,803,472 A	9/1998	Lien	6,398,272 B1	6/2002	Plummer et al.
5,813,503 A	9/1998	Chang	6,401,308 B1	6/2002	Kawahara
5,816,185 A	10/1998	Ruthrford	6,422,386 B1	7/2002	Wiese et al.
5,826,718 A	10/1998	Ahem, Jr. et al.	6,427,475 B1	8/2002	DeFelice et al.
5,826,770 A	10/1998	Chuang	6,427,501 B2	8/2002	Ramsauer
5,839,553 A	11/1998	Dorsam	D462,519 S	9/2002	Gaydos et al.
5,860,281 A	1/1999	Coffee et al.	6,446,382 B1	9/2002	Cloutier et al.
5,865,281 A	2/1999	Wang	6,446,988 B1	9/2002	Kho
5,875,948 A	3/1999	Sadler	D464,485 S	10/2002	Sward et al.
5,887,745 A	3/1999	Wood	6,467,779 B1	10/2002	Mills
5,896,962 A	4/1999	Smith et al.	6,478,463 B2	11/2002	Snider
5,901,571 A	5/1999	Whaley	6,481,239 B2	11/2002	Hodosh et al.
5,904,269 A	5/1999	Wolff	D466,439 S	12/2002	Wagner et al.
D410,387 S	6/1999	Jacques	D467,424 S	12/2002	Hardigg et al.
5,924,303 A	7/1999	Hodosh	D467,425 S	12/2002	Hardigg et al.
5,933,929 A	8/1999	Kawakami et al.	D467,426 S	12/2002	Hardigg et al.
5,934,716 A	8/1999	Koveal et al.	6,497,311 B2	12/2002	Tiramani et al.
5,940,940 A	8/1999	Tanikoshi et al.	6,497,438 B1	12/2002	Holub et al.
5,950,368 A	9/1999	Bradford	6,499,574 B1	12/2002	Anthony
5,956,805 A	9/1999	Huang	6,502,677 B1	1/2003	Tiramani et al.
5,957,321 A	9/1999	Jones	6,508,389 B1	1/2003	Ripoyla et al.
D414,673 S	10/1999	Dickinson et al.	6,520,514 B2	2/2003	Clegg
5,971,218 A	10/1999	Le	D471,711 S	3/2003	Addison
5,975,334 A	11/1999	Mayo	6,527,309 B1	3/2003	Gaydos et al.
5,984,064 A	11/1999	Byington	6,532,624 B1	3/2003	Yang
5,984,326 A	11/1999	Abraham et al.	D472,431 S	4/2003	Spence, Jr.
5,984,382 A	11/1999	Bourne et al.	6,543,096 B2	4/2003	Settelmayer et al.
5,988,658 A	11/1999	Ritchie et al.	6,547,218 B2	4/2003	Landy
6,015,072 A	1/2000	Young	6,547,289 B1	4/2003	Greenheck et al.
D419,767 S	2/2000	Richardson et al.	6,550,592 B1	4/2003	Godshaw et al.
D419,768 S	2/2000	Richardson et al.	6,554,327 B1	4/2003	Riley
D420,221 S	2/2000	Williams et al.	D474,649 S	5/2003	Spence, Jr.
6,039,205 A	3/2000	Flink	6,574,983 B2	6/2003	Smith et al.
6,047,976 A *	4/2000	Wang A45C 5/03 280/37	6,585,090 B2	7/2003	Harvey
6,050,373 A	4/2000	Wonka et al.	D477,916 S	8/2003	Nykoluk
D425,301 S	5/2000	Sagol	D478,782 S	8/2003	Li
6,079,083 A	6/2000	Akashi	6,612,411 B2	9/2003	Nykoluk et al.
6,079,754 A	6/2000	Alexy	6,619,448 B1	9/2003	Wang
D427,882 S	7/2000	Wytcherley et al.	D481,293 S	10/2003	Ayrest
D428,698 S	8/2000	Cheng	6,637,077 B2	10/2003	Doty
6,105,767 A	8/2000	Vasudeva	6,637,562 B2	10/2003	Oh
6,129,231 A	10/2000	Hsiao et al.	D482,593 S	11/2003	Wolf
6,135,253 A	10/2000	Weissman et al.	6,640,397 B1	11/2003	Gipson
6,152,501 A	11/2000	Magi et al.	6,646,864 B2	11/2003	Richardson
D435,780 S	1/2001	Tieu	D484,004 S	12/2003	Lee
6,167,994 B1	1/2001	Kuo et al.	6,658,903 B1	12/2003	McShane et al.
6,170,122 B1	1/2001	Kuo	6,679,358 B2	1/2004	Be
6,176,499 B1	1/2001	Conrado et al.	6,679,359 B2	1/2004	Pfeiffer
6,176,559 B1	1/2001	Tiramani et al.	6,691,451 B1	2/2004	Keenan
6,179,176 B1	1/2001	Saggese et al.	D487,348 S	3/2004	Fenton et al.
D440,118 S	4/2001	Claffy et al.	6,698,608 B2	3/2004	Parker et al.
D441,954 S	5/2001	Parker	6,718,559 B1	4/2004	Davidson
6,234,287 B1	5/2001	Pfeiffer	D489,531 S	5/2004	Oh
6,244,064 B1	6/2001	Powell et al.	D489,595 S	5/2004	Gleichauf et al.
6,244,066 B1	6/2001	LaRose	6,736,265 B2	5/2004	Kipper et al.
6,244,458 B1	6/2001	Frysinger et al.	D490,980 S	6/2004	Concari
6,247,203 B1	6/2001	Kuo	D491,797 S	6/2004	Eriksson
6,247,328 B1	6/2001	Mogil	D492,184 S	6/2004	Parker et al.
6,260,240 B1	7/2001	Akashi et al.	6,755,448 B2	6/2004	Jackson et al.
6,279,971 B1	8/2001	Dessenberger, Jr.	D493,286 S	7/2004	Concari
6,289,554 B1	9/2001	Wang	6,757,942 B2	7/2004	Matsui et al.
6,289,684 B1	9/2001	Guidry, II et al.	6,761,366 B1	7/2004	Klemmensen et al.
D449,163 S	10/2001	Dahlen et al.	6,779,681 B2	8/2004	Doerfler et al.
6,305,185 B1	10/2001	Sloan	6,789,692 B2	9/2004	Prezelin
D451,278 S	12/2001	Cooper	6,793,096 B1	9/2004	Seok
6,343,815 B1	2/2002	Poe	D497,480 S	10/2004	Drew et al.
D454,292 S	3/2002	Plummer et al.	D498,053 S	11/2004	Nordstrom et al.
			D498,054 S	11/2004	Moon

US D960,656 S

6,821,019 B2	11/2004	Mogil		7,530,405 B2	5/2009	Kollath et al.	
D500,598 S	1/2005	Ramos		7,533,782 B2	5/2009	Parker et al.	
6,877,189 B2	4/2005	Simonson et al.		7,540,364 B2	6/2009	Sanderson	
6,883,208 B1	4/2005	Huang		7,549,652 B2	6/2009	Wu	
D505,011 S	5/2005	Einav		D596,400 S	7/2009	Chu et al.	
6,895,789 B2	5/2005	Masseth, Jr. et al.		D597,652 S	8/2009	Tang	
D508,376 S	8/2005	Bhavnani		7,568,739 B2	8/2009	Lee	
6,929,145 B2	8/2005	Shepler		7,571,915 B1	8/2009	Simmons	
6,955,381 B2	10/2005	Parker et al.		D600,912 S	9/2009	Brunner	
6,981,780 B2	1/2006	Einav		7,581,656 B2	9/2009	Gnepper et al.	
6,983,946 B2	1/2006	Sullivan et al.		D602,252 S	10/2009	Ehret	
D515,362 S	2/2006	Chan		7,604,290 B1	10/2009	Giordano	
D517,947 S	3/2006	Hollingworth et al.		7,607,540 B2	10/2009	Ballard	
7,017,740 B2	3/2006	Itzkovitch		D603,165 S *	11/2009	Losiewicz	D3/299
7,028,730 B2	4/2006	Pace et al.		D605,896 S	12/2009	Zalewski et al.	
D520,237 S	5/2006	Cheng		D607,697 S	1/2010	Whitlock et al.	
7,040,115 B1	5/2006	Lopez et al.		D608,159 S	1/2010	Whitlock et al.	
D522,751 S	6/2006	Irwin et al.		D608,601 S	1/2010	Whitlock et al.	
D522,811 S	6/2006	Martinez et al.		D610,349 S	2/2010	Ehret	
D523,242 S	6/2006	Hardigg et al.		7,658,269 B2	2/2010	Wu	
7,066,311 B2	6/2006	O'Shea		7,669,436 B2	3/2010	Mogil et al.	
D525,714 S	7/2006	Ueda		7,688,584 B1	3/2010	Becklin	
7,082,641 B1	8/2006	Jung et al.		D613,560 S	4/2010	Robichaud et al.	
7,093,699 B2	8/2006	Yu		D614,404 S	4/2010	Brunner	
D528,800 S	9/2006	Liu et al.		7,703,588 B2	4/2010	Chiang	
D530,095 S	10/2006	Herzberg		7,722,204 B1	5/2010	Sandberg	
7,162,890 B2	1/2007	Mogil et al.		D617,561 S	6/2010	Salerno-Tortora	
D537,251 S	2/2007	Musgrove		7,735,261 B2	6/2010	Sellati	
7,171,731 B1	2/2007	Borcherding		D618,966 S	7/2010	Koehler et al.	
D539,543 S	4/2007	Wu		D619,423 S	7/2010	Koehler et al.	
D540,540 S	4/2007	Szyf et al.		D619,854 S	7/2010	Koehler et al.	
D540,651 S	4/2007	Wolf, V		D619,855 S	7/2010	Koehler et al.	
D540,652 S	4/2007	Wolf, V		7,748,232 B2	7/2010	Kang	
D544,211 S	6/2007	Herzberg		D624,315 S	9/2010	Amatrudo	
7,237,660 B2	7/2007	Wu		7,806,287 B2	10/2010	Rouns	
7,246,704 B2	7/2007	Brunson et al.		D626,451 S	11/2010	Helwig et al.	
7,246,718 B2	7/2007	Einav et al.		D627,162 S	11/2010	Weng	
D552,352 S	10/2007	Lin		D627,199 S	11/2010	Pruchnicki	
7,284,393 B1 *	10/2007	Macmillan	B62B 1/22 62/457.7	7,841,207 B2	11/2010	Mogil et al.	
				D629,200 S	12/2010	Turella-Yuan et al.	
7,284,763 B1	10/2007	King		7,854,321 B2	12/2010	Twig et al.	
D555,902 S	11/2007	Pendergraph et al.		D630,435 S	1/2011	Brunner	
7,296,434 B2	11/2007	Scroggs		7,861,552 B1	1/2011	Hughes	
7,306,243 B2	12/2007	Van Horn et al.		7,861,834 B2	1/2011	Gorga et al.	
7,309,106 B2	12/2007	Stallman		7,874,047 B2	1/2011	Breeden	
D562,646 S	2/2008	Lown et al.		7,874,408 B2	1/2011	Suppangig	
7,334,680 B2	2/2008	Cunningham et al.		D633,300 S	3/2011	Fair	
7,334,802 B2	2/2008	Kaplan		D634,545 S	3/2011	Fair	
D563,101 S	3/2008	Kuchler		7,909,148 B1	3/2011	Miller et al.	
7,344,028 B2	3/2008	Hanson		D635,366 S	4/2011	Luburic	
D566,479 S	4/2008	Kabalin		D636,292 S	4/2011	Brown	
7,367,451 B2	5/2008	Pendergraph et al.		7,922,052 B2	4/2011	Podsusch	
7,370,891 B1	5/2008	Schmitt et al.		D637,811 S	5/2011	Hong	
D570,601 S	6/2008	Drew et al.		7,937,884 B1	5/2011	Naylor et al.	
D570,603 S	6/2008	Wu et al.		7,959,194 B2	6/2011	Mahoney	
7,387,350 B2	6/2008	Killinger et al.		D642,379 S	8/2011	Buller	
D572,577 S	7/2008	Hatton		D643,624 S	8/2011	Hong	
7,397,674 B2	7/2008	Schlack		D643,629 S	8/2011	Sofy et al.	
D574,150 S	8/2008	Ross		7,997,591 B2	8/2011	Arthur	
D574,667 S	8/2008	Grabijas, III et al.		D644,434 S	9/2011	Miles et al.	
D575,059 S	8/2008	Cappiello et al.		8,016,153 B2	9/2011	Boenig et al.	
7,415,794 B1	8/2008	Thompson		D646,528 S	10/2011	Stallman et al.	
7,418,311 B1 *	8/2008	Lagassey	G07F 9/026 221/150 R	8,037,983 B2	10/2011	Leung	
				D648,538 S	11/2011	Reinhart et al.	
D578,758 S	10/2008	Stevens et al.		D649,786 S	12/2011	Lipfert et al.	
D579,202 S	10/2008	Grenier et al.		D650,585 S	12/2011	Jamison et al.	
7,434,410 B2	10/2008	Ford		D651,860 S	1/2012	Nie	
7,441,641 B2	10/2008	Beakey		D652,216 S	1/2012	Fair	
D581,161 S	11/2008	Tong		8,091,731 B2	1/2012	Kidd et al.	
D582,678 S	12/2008	Rekuc et al.		8,096,152 B2	1/2012	Wagh et al.	
7,458,481 B2	12/2008	Yuen		8,096,442 B2	1/2012	Ramundi	
7,461,871 B2	12/2008	Vauchel		8,099,836 B2	1/2012	Breeden et al.	
7,475,782 B2	1/2009	Lombardi		D654,694 S	2/2012	Wu	
D587,902 S	3/2009	Yoneno		8,141,211 B2	3/2012	Weyer et al.	
7,503,439 B2	3/2009	O'Shea et al.		D659,395 S	5/2012	Sijmons	
D590,694 S	4/2009	Stuckey		D660,000 S	5/2012	Peterson et al.	
7,516,520 B2	4/2009	Kelagher et al.		8,167,166 B2	5/2012	Kidd et al.	
7,516,842 B2	4/2009	Gu		8,176,749 B2	5/2012	LaMere et al.	
D591,511 S	5/2009	Wu		8,191,747 B2	6/2012	Pruchnicki	

US D960,656 S

8,210,353 B2	7/2012	Epicureo	8,763,851 B2	7/2014	Jiang et al.
8,214,972 B2	7/2012	Lai	8,770,426 B2	7/2014	Amett et al.
D664,891 S	8/2012	Takeda	8,777,045 B2	7/2014	Mitchell et al.
D665,166 S	8/2012	Khalifa et al.	D710,099 S	8/2014	Horovitz et al.
D666,002 S	8/2012	Lai	D710,610 S	8/2014	Sijmons et al.
8,245,868 B2	8/2012	Ikeda et al.	D710,614 S	8/2014	Meersschaert
8,251,113 B2	8/2012	Baxter	D711,104 S	8/2014	Lai
8,251,245 B2	8/2012	DiPietro et al.	D711,646 S	8/2014	Ke
D666,831 S	9/2012	Kinsky et al.	D711,647 S	8/2014	Chen
D666,832 S	9/2012	Kinsky et al.	D711,648 S	8/2014	Chen
D667,697 S	9/2012	Shah	D711,649 S	8/2014	Chen
8,256,156 B1	9/2012	Burgoyne, Jr.	D712,143 S	9/2014	Chehebar
D668,049 S	10/2012	Buller	D714,056 S	9/2014	Weng
8,286,828 B2	10/2012	Schafer	D714,057 S	9/2014	Hou
8,287,009 B2	10/2012	Dane et al.	D714,064 S	9/2014	Kim
8,292,119 B2	10/2012	Kenneally	8,844,749 B2	9/2014	Manahan et al.
8,297,464 B2	10/2012	Grenier et al.	8,844,950 B2	9/2014	Greene et al.
D670,502 S	11/2012	Wu	8,850,666 B2	10/2014	Hasegawa et al.
8,328,247 B2	12/2012	Tonelli	8,851,282 B2	10/2014	Brunner
8,336,708 B2	12/2012	Potterfield et al.	8,851,289 B2	10/2014	Shi
D674,192 S	1/2013	Li	8,857,654 B2	10/2014	Mogil et al.
8,342,580 B2	1/2013	Cowie et al.	8,863,975 B2	10/2014	McCanless
8,378,323 B1	2/2013	Spann et al.	8,864,185 B2	10/2014	Do
8,382,171 B2	2/2013	Williams	8,864,189 B2	10/2014	Fournie et al.
D677,896 S	3/2013	Wu	D717,152 S	11/2014	Weinerman et al.
D678,749 S	3/2013	Tung	D718,051 S	11/2014	Frahm et al.
D678,750 S	3/2013	Tung	8,875,877 B2	11/2014	Cottle et al.
8,424,930 B2	4/2013	Matsubara et al.	8,875,888 B2	11/2014	Koenig et al.
8,430,284 B2	4/2013	Broadbent et al.	8,875,934 B2	11/2014	Deka
D681,337 S	5/2013	Wu	8,881,930 B2	11/2014	Banik
8,459,058 B2	6/2013	Mogil	8,887,515 B2	11/2014	Patstone
8,459,422 B1	6/2013	Efron	D718,936 S	12/2014	Sanz et al.
8,459,487 B2	6/2013	Sharma et al.	D719,351 S	12/2014	Hailwood
8,459,495 B2	6/2013	Koenig et al.	8,905,412 B2	12/2014	Fux
D685,186 S	7/2013	Massaud	8,910,788 B2	12/2014	Roach et al.
8,474,098 B1	7/2013	Yang	8,910,819 B2	12/2014	Seiders
8,484,813 B2	7/2013	Taniguchi et al.	8,919,596 B2	12/2014	Carino
8,490,413 B2	7/2013	Blackway et al.	D720,536 S *	1/2015	Hsu D3/299
8,496,133 B2	7/2013	Mizukoshi et al.	D720,599 S	1/2015	Weinerman et al.
D688,589 S	8/2013	Hung et al.	D720,928 S	1/2015	Roncato
8,505,729 B2	8/2013	Sosnovsky et al.	8,925,752 B2	1/2015	Smith
8,517,211 B2	8/2013	Brown et al.	D722,771 S	2/2015	Wu
D688,920 S	9/2013	Manley et al.	D722,860 S	2/2015	Linares
D690,939 S	10/2013	Lintz et al.	8,944,476 B1	2/2015	Henderson
D691,808 S	10/2013	Wu	8,960,430 B2	2/2015	Roach et al.
8,544,648 B2	10/2013	Cleveland et al.	8,960,735 B2	2/2015	Michael et al.
8,561,264 B2	10/2013	Hasegawa et al.	D724,323 S	3/2015	Wang
8,561,269 B2	10/2013	LeCompte et al.	8,979,100 B2	3/2015	Bensman et al.
8,567,631 B2	10/2013	Brunner	8,979,101 B2	3/2015	Primiano
8,567,796 B2	10/2013	Bar-Erez et al.	8,979,144 B2	3/2015	Paugh et al.
8,572,821 B2	11/2013	Hasegawa	8,985,326 B2	3/2015	Halsne et al.
8,573,399 B2	11/2013	Ulmer et al.	8,985,385 B2	3/2015	Parker et al.
8,590,704 B2	11/2013	Koenig et al.	D725,907 S	4/2015	Yu
8,590,724 B2	11/2013	Kreidler et al.	D727,620 S	4/2015	Tonelli
8,596,485 B2	12/2013	Lindsay	9,004,274 B2	4/2015	Thornberg
8,596,487 B1	12/2013	Su	9,004,548 B2	4/2015	Joret et al.
8,601,838 B2	12/2013	Hansen et al.	D728,933 S	5/2015	Sanz et al.
8,616,600 B2	12/2013	Owen	D730,050 S	5/2015	Hogan et al.
D697,717 S	1/2014	Santy	9,027,751 B2	5/2015	Lee
8,622,235 B2	1/2014	Suchecky	D730,716 S	6/2015	Weinerman et al.
8,627,972 B2	1/2014	Thomas	D731,250 S	6/2015	Butler et al.
D699,100 S	2/2014	Moreau et al.	D732,348 S	6/2015	Seiders et al.
D699,438 S	2/2014	Mathieu et al.	D732,349 S	6/2015	Seiders et al.
8,640,937 B2	2/2014	Pruchnicki	D732,350 S	6/2015	Seiders et al.
8,677,661 B2	3/2014	Michels et al.	D732,823 S	6/2015	Baron
8,678,227 B2	3/2014	Patstone	D732,899 S	6/2015	Seiders et al.
D701,697 S	4/2014	Sabbag et al.	D732,923 S	6/2015	Rechberg et al.
D703,435 S	4/2014	Wile et al.	9,045,264 B2	6/2015	Pils
8,683,660 B2	4/2014	Hasegawa et al.	9,060,577 B2	6/2015	Farrelly et al.
8,689,396 B2	4/2014	Wolfe et al.	9,067,081 B2	6/2015	Roach et al.
D704,935 S	5/2014	Lintz et al.	D734,742 S	7/2015	Fujioka
8,714,568 B2	5/2014	Allam et al.	9,079,595 B2	7/2015	Chen et al.
8,740,010 B1	6/2014	Page	9,085,403 B2	7/2015	Roach et al.
8,757,642 B2	6/2014	Arthur et al.	9,101,186 B2	8/2015	Lai
8,757,643 B2	6/2014	Arthur et al.	9,108,772 B2	8/2015	Hovatter
8,757,696 B2	6/2014	Schneider	9,113,686 B1	8/2015	Bishop
D709,336 S	7/2014	Liebenthal	9,114,909 B2	8/2015	Wagner
D709,696 S	7/2014	Wu	D738,702 S	9/2015	Linares
8,763,848 B2	7/2014	Carey	9,139,352 B2	9/2015	Seiders et al.

US D960,656 S

D740,557 S	10/2015	Liao		D779,201 S	2/2017	Beilman et al.
D740,558 S	10/2015	Liao		9,566,704 B1	2/2017	Stoikos et al.
D741,064 S *	10/2015	Ramos	D3/299	9,567,784 B2	2/2017	Defrance et al.
D741,600 S	10/2015	Della Vecchia		D780,523 S	3/2017	Jacobsen
9,163,871 B1	10/2015	Costello		D780,524 S	3/2017	Jacobsen
9,169,678 B2	10/2015	Rozema		D780,525 S	3/2017	Jacobsen
D743,171 S	11/2015	Reinhart		D784,017 S	4/2017	Hsieh
9,187,210 B2	11/2015	Zhu et al.		9,622,547 B2	4/2017	Seader
9,193,060 B2	11/2015	Ben-Gigi		D785,937 S	5/2017	Morszeck
D744,750 S	12/2015	Sabbag et al.		D786,561 S	5/2017	Seiders et al.
9,198,492 B2	12/2015	Chehebar		9,637,294 B2	5/2017	Kinsky
9,199,370 B2	12/2015	Crull		9,655,418 B2	5/2017	Chien et al.
9,199,657 B2	12/2015	Martin		D788,460 S	6/2017	Morszeck
9,204,699 B2	12/2015	Pickens et al.		D788,461 S	6/2017	Tonelli
9,205,551 B2	12/2015	Green et al.		D789,690 S	6/2017	Foley et al.
9,211,040 B2	12/2015	Lane		9,669,986 B1	6/2017	Evans
9,215,918 B2	12/2015	Kao et al.		D792,094 S	7/2017	Stoikos et al.
D747,639 S	1/2016	Linares		D792,105 S	7/2017	Reinhart
D747,950 S	1/2016	Jacobsen et al.		D793,089 S	8/2017	Jackson
D747,951 S	1/2016	Jacobsen et al.		D796,199 S	9/2017	Law
9,233,465 B2	1/2016	Lai		D796,838 S	9/2017	Sijmons et al.
D748,452 S	2/2016	Jacobsen et al.		D797,518 S	9/2017	Pavia, III
9,248,566 B2	2/2016	Horiyama et al.		9,770,084 B1	9/2017	Shiekh
9,254,901 B2	2/2016	Gill		9,809,376 B2	11/2017	Mitchell et al.
9,259,090 B1	2/2016	Cronin		D804,819 S	12/2017	Faibish et al.
9,259,593 B2	2/2016	Roach et al.		D805,772 S	12/2017	Oshima
9,259,828 B2	2/2016	Bermes		D805,851 S	12/2017	Sullivan et al.
9,266,462 B2	2/2016	Miller		9,839,272 B2	12/2017	Licciardino
D750,953 S	3/2016	Jacobsen et al.		9,848,681 B1	12/2017	Chen
D752,344 S	3/2016	Green		9,849,901 B2	12/2017	Jackman
9,272,820 B2	3/2016	Cowie		D806,483 S	1/2018	Stanford et al.
9,278,704 B2	3/2016	Cates		D807,123 S	1/2018	Carey et al.
9,290,297 B2	3/2016	Overath		D807,124 S	1/2018	Carey et al.
D752,862 S	4/2016	Riddiford et al.		D808,164 S	1/2018	Summers
9,307,840 B2	4/2016	Restrepo et al.		D808,653 S	1/2018	Rayeski et al.
9,322,192 B2	4/2016	Burd		D808,655 S	1/2018	Seiders et al.
D755,518 S	5/2016	Sijmons		D808,730 S	1/2018	Sullivan et al.
9,327,887 B2	5/2016	Farentinos et al.		9,878,841 B2	1/2018	Holderness et al.
9,340,224 B2	5/2016	Yoder et al.		D809,293 S	2/2018	Virassamy et al.
9,341,003 B2	5/2016	Ely et al.		D809,295 S	2/2018	Ehret
9,341,403 B2	5/2016	Conrad et al.		D810,432 S	2/2018	Ballou et al.
9,346,616 B2	5/2016	Foster		D810,433 S	2/2018	Ballou et al.
9,351,550 B2	5/2016	Arthur et al.		D810,434 S	2/2018	Xu
D759,971 S	6/2016	Riddiford et al.		D811,084 S	2/2018	Ballou et al.
9,359,798 B2	6/2016	Greenwood et al.		D811,090 S	2/2018	Karl
9,376,050 B1	6/2016	Gill		9,883,724 B2	2/2018	Woode
9,387,963 B2	7/2016	McBroom et al.		9,894,971 B2	2/2018	Scicluna et al.
9,393,684 B2	7/2016	Christopher et al.		9,901,153 B2	2/2018	Nash
D762,471 S	8/2016	Green et al.		D811,742 S	3/2018	Ballou et al.
D762,977 S	8/2016	Xu		D811,744 S	3/2018	Ballou et al.
9,408,449 B1	8/2016	Tsai		D812,909 S	3/2018	Morszeck
9,415,787 B2	8/2016	Mericle		9,913,518 B2	3/2018	Su
9,427,058 B2	8/2016	Bogliione		D814,187 S	4/2018	Caglar
D765,397 S	9/2016	Reinhart		D815,831 S	4/2018	Tonelli
D765,406 S	9/2016	Faibish		D815,919 S	4/2018	DeFrancia
D765,407 S	9/2016	Reinhart		D816,337 S	5/2018	Cheng
D765,408 S	9/2016	Reinhart		D816,492 S	5/2018	Reinhart
D765,409 S	9/2016	Reinhart		D817,722 S	5/2018	Bradley
D765,410 S	9/2016	Reinhart		D818,712 S	5/2018	Fleming et al.
D765,411 S	9/2016	Reinhart		9,968,170 B2	5/2018	Morszeck
D765,973 S	9/2016	Tonelli et al.		D819,331 S	6/2018	Ballou et al.
D767,277 S	9/2016	Faibish		D820,049 S	6/2018	Ahlstrom et al.
9,435,578 B2	9/2016	Calderon et al.		9,999,284 B1	6/2018	Tan
9,443,366 B2	9/2016	Rayner		D821,824 S	7/2018	Rane et al.
D768,464 S	10/2016	Hatton		D821,825 S	7/2018	Sullivan et al.
9,468,277 B2	10/2016	King		D823,065 S	7/2018	Eichinger et al.
D770,179 S	11/2016	Menirom		D824,168 S	7/2018	Morszeck
D771,381 S	11/2016	Sosnovsky et al.		D824,674 S	8/2018	Seiders et al.
D772,577 S	11/2016	Muchin et al.		D824,731 S	8/2018	Sullivan et al.
D773,821 S	12/2016	Reinhart		10,058,151 B2	8/2018	Morszeck
D773,901 S	12/2016	Marret		D827,304 S	9/2018	Tao
9,511,491 B2	12/2016	Brunner		D828,028 S	9/2018	Seiders et al.
D776,429 S *	1/2017	Zagorski	D3/274	D828,029 S	9/2018	Seiders et al.
D776,932 S	1/2017	Reinhart		D828,108 S	9/2018	Bowling
D776,934 S	1/2017	Braendle		D828,112 S	9/2018	Furneaux et al.
D777,441 S	1/2017	Li		D829,244 S	9/2018	Sullivan et al.
D777,530 S	1/2017	Marret		10,080,412 B2	9/2018	Hartmann et al.
D778,054 S	2/2017	Li		D830,132 S	10/2018	Sullivan et al.
D778,707 S	2/2017	Tonelli		D830,133 S	10/2018	Sullivan et al.

US D960,656 S

D830,134 S	10/2018	Sullivan et al.	D915,069 S	4/2021	Fonelli
10,086,745 B2	10/2018	Gill	2002/0024189 A1	2/2002	Chen
10,088,144 B1	10/2018	Sandberg	2002/0038745 A1	4/2002	Lamming
D832,653 S	11/2018	Waskow et al.	2002/0074332 A1	6/2002	Sagol
10,124,742 B2	11/2018	Martinez et al.	2002/0162841 A1	11/2002	Shamir et al.
10,138,048 B2	11/2018	Mitchell et al.	2002/0185871 A1	12/2002	Straka
D834,819 S	12/2018	Burek et al.	2002/0195827 A1	12/2002	Jackson et al.
D835,470 S	12/2018	Seiders et al.	2003/0019705 A1	1/2003	Lau
D835,472 S	12/2018	Seiders et al.	2003/0038007 A1	2/2003	Han
D835,473 S	12/2018	Jacobsen	2003/0038142 A1	2/2003	Gee
D835,946 S	12/2018	Seiders et al.	2003/0106821 A1	6/2003	Bar-Erez
10,143,282 B2	12/2018	Seiders et al.	2003/0111476 A1	6/2003	Serio
10,159,312 B2	12/2018	Ito	2003/0136702 A1	7/2003	Redzisz et al.
10,160,471 B2	12/2018	Yahav et al.	2004/0007604 A1	1/2004	Plzak
D836,993 S	1/2019	Meda et al.	2004/0016854 A1	1/2004	Hart
D836,996 S	1/2019	Jacobsen	2004/0025306 A1	2/2004	Coffey
D836,997 S	1/2019	Jacobsen	2004/0040967 A1	3/2004	Eiskant et al.
D836,998 S	1/2019	Jacobsen	2004/0163910 A1	8/2004	Lee
D836,999 S	1/2019	Jacobsen	2004/0178208 A1	9/2004	Leba et al.
D837,001 S	1/2019	Jacobsen	2004/0238543 A1	12/2004	Askew
D837,515 S	1/2019	Shpitzer	2004/0246695 A1	12/2004	Schlack
D837,611 S	1/2019	Lane et al.	2004/0262319 A1	12/2004	Fisher
D838,208 S	1/2019	Hirabayashi et al.	2005/0023096 A1	2/2005	Tiramani
D838,983 S	1/2019	Seiders et al.	2005/0099019 A1	5/2005	Hall et al.
D838,984 S	1/2019	Seiders et al.	2005/0103813 A1	5/2005	Edwards
D839,094 S	1/2019	Giraud et al.	2005/0139741 A1	6/2005	Yuen
D839,682 S	2/2019	Jacobsen	2005/0150892 A1	7/2005	Miller
D840,150 S	2/2019	Seiders et al.	2005/0180835 A1	8/2005	Schneider
D840,194 S	2/2019	Furneaux et al.	2005/0199628 A1	9/2005	Van Handel et al.
D842,048 S	3/2019	Wells	2005/0217071 A1	10/2005	Shinner
D843,114 S	3/2019	Sanz	2005/0258610 A1	11/2005	Stone et al.
D844,325 S	4/2019	Nelson	2005/0279123 A1	12/2005	Maldonado et al.
D844,386 S	4/2019	Ahlstrom et al.	2006/0011641 A1	1/2006	Sanderson
10,272,934 B2	4/2019	DeFrancia	2006/0017293 A1	1/2006	Tonelli
D848,219 S	5/2019	Munie et al.	2006/0037178 A1	2/2006	Sulhoff
D848,220 S	5/2019	Munie et al.	2006/0037824 A1	2/2006	Park et al.
D848,221 S	5/2019	Munie et al.	2006/0042897 A1	3/2006	Sanderson
D848,222 S	5/2019	Munie et al.	2006/0049640 A1	3/2006	Lee
D848,223 S	5/2019	Munie et al.	2006/0180422 A1	8/2006	Lin
D848,744 S	5/2019	Axelbaum	2006/0196218 A1	9/2006	Mogil et al.
D848,798 S	5/2019	Munie et al.	2006/0213736 A1	9/2006	Godshaw
D849,486 S	5/2019	Munie et al.	2006/0213941 A1	9/2006	Sweeney
10,292,473 B2	5/2019	Meersschaert	2006/0225981 A1	10/2006	Lin
D850,796 S	6/2019	Ricca	2006/0249412 A1	11/2006	Hernandez et al.
D851,401 S	6/2019	Zhang	2006/0249522 A1	11/2006	Ringo
10,314,377 B2	6/2019	Stephens	2006/0276768 A1	12/2006	Miller et al.
D853,729 S	7/2019	Axelbaum	2007/0039957 A1	2/2007	Shulz et al.
D854,826 S	7/2019	Tonelli	2007/0101754 A1	5/2007	Maldonado
10,334,935 B2	7/2019	Chung	2007/0175898 A1	8/2007	Craft et al.
10,350,746 B2	7/2019	Martinez et al.	2007/0235452 A1	10/2007	Killinger et al.
10,351,330 B2	7/2019	Smith et al.	2007/0261977 A1	11/2007	Sakai
10,357,874 B2	7/2019	Engvall et al.	2008/0001373 A1	1/2008	Vaughn
D857,386 S	8/2019	Shpitzer	2008/0029528 A1	2/2008	Mireault
10,376,031 B1	8/2019	Majhess	2008/0042460 A1	2/2008	Fuchs
10,378,569 B2	8/2019	Jensen et al.	2008/0067095 A1	3/2008	Mueller
D859,842 S	9/2019	Frank	2008/0067206 A1	3/2008	Kuhn
D860,789 S	9/2019	Rayeski et al.	2008/0078637 A1	4/2008	Su
10,399,748 B2	9/2019	Reinhart	2008/0078682 A1	4/2008	Clark et al.
10,401,075 B2	9/2019	Bond	2008/0110892 A1	5/2008	House
D861,535 S	10/2019	Venables	2008/0116215 A1	5/2008	Chuang
10,443,918 B2	10/2019	Li et al.	2008/0128428 A1	6/2008	Beckerman
D869,160 S	12/2019	Seiders et al.	2008/0156858 A1	7/2008	Perry et al.
D869,244 S	12/2019	Ellison et al.	2008/0170388 A1	7/2008	Greil
D869,848 S	12/2019	Wu	2008/0190940 A1	8/2008	Scott
D872,478 S	1/2020	Seiders et al.	2008/0196650 A1	8/2008	Fernung
D872,485 S	1/2020	Seiders et al.	2008/0230339 A1	9/2008	Pereira
D873,020 S	1/2020	Seiders et al.	2008/0245095 A1	10/2008	Schlipman et al.
D873,024 S	1/2020	Usui	2008/0257775 A1	10/2008	Randolph
10,568,395 B2	2/2020	Hayashi	2008/0264946 A1	10/2008	Moschella et al.
10,568,400 B2	2/2020	Shechter et al.	2009/0009039 A1	1/2009	Mayes, Jr.
D876,833 S	3/2020	Brunner et al.	2009/0014974 A1	1/2009	VanVorst et al.
D876,835 S	3/2020	Libman et al.	2009/0033110 A1	2/2009	Fragale
D878,054 S	3/2020	Reinhart et al.	2009/0049859 A1	2/2009	Moon
10,595,608 B2	3/2020	Korey et al.	2009/0078593 A1	3/2009	Patstone
D881,578 S	4/2020	Prommel et al.	2009/0080809 A1	3/2009	Pham et al.
D882,266 S	4/2020	Prommel et al.	2009/0101460 A1	4/2009	Justham et al.
D882,267 S	4/2020	Prommel et al.	2009/0114646 A1	5/2009	Whalen
D887,789 S	6/2020	Seiders et al.	2009/0114653 A1	5/2009	Schenker
D912,983 S	3/2021	Newson			

US D960,656 S

2009/0120126	A1 *	5/2009	Mew	A61F 7/10 62/530	2015/0189963	A1	7/2015	Lai et al.
2009/0158770	A1	6/2009	Cohrs et al.		2015/0190920	A1	7/2015	Karlsson et al.
2009/0173744	A1	7/2009	Hassell		2015/0208779	A1	7/2015	Tong
2009/0194541	A1	8/2009	Mayo		2015/0209226	A1	7/2015	Priebe et al.
2009/0277905	A1	11/2009	Gillan		2015/0233630	A1	8/2015	Bond
2010/0001013	A1	1/2010	Sommerfeld		2015/0292840	A1	10/2015	Tobin
2010/0072215	A1	3/2010	Coon		2015/0296945	A1	10/2015	Douglas
2010/0078451	A1	4/2010	Mount		2015/0315532	A1	11/2015	Bergbohm et al.
2010/0108556	A1	5/2010	Claffy		2015/0352709	A1	12/2015	Diamond
2010/0133132	A1	6/2010	Allan		2015/0375558	A1	12/2015	Ben-Or
2010/0200784	A1	8/2010	Turner		2015/0375918	A1	12/2015	Holderness et al.
2010/0258576	A1	10/2010	Marquez		2016/0023837	A1	1/2016	Furneaux et al.
2010/0275642	A1	11/2010	Klettner		2016/0046417	A1	2/2016	Kromer
2011/0016911	A1	1/2011	Mosby		2016/0052682	A1	2/2016	Gunnerson et al.
2011/0064332	A1	3/2011	Piazza et al.		2016/0083186	A1	3/2016	Wright
2011/0114526	A1	5/2011	Neumann et al.		2016/0084454	A1	3/2016	Svitak, Sr. et al.
2011/0119986	A1	5/2011	Sellers		2016/0091239	A1	3/2016	Beland
2011/0121002	A1	5/2011	Stiller		2016/0135563	A1	5/2016	Truong
2011/0127264	A1	6/2011	Whalen		2016/0138809	A1	5/2016	Colucci et al.
2011/0132046	A1	6/2011	Tonelli		2016/0150862	A1	6/2016	Tonelli
2011/0181008	A1	7/2011	Bensman et al.		2016/0166024	A1	6/2016	Lai
2011/0182532	A1	7/2011	Baltus		2016/0183651	A1	6/2016	Tonelli
2011/0186396	A1	8/2011	Sheikh		2016/0244209	A1	8/2016	Hain
2011/0186398	A1	8/2011	Sheikh		2016/0251124	A1	9/2016	Arnold et al.
2011/0197625	A1	8/2011	Urban et al.		2016/0279840	A1	9/2016	French et al.
2011/0203328	A1	8/2011	Vilkomirski et al.		2017/0079398	A1	3/2017	Reh et al.
2011/0220531	A1	9/2011	Meether et al.		2017/0082342	A1	3/2017	Weinberg et al.
2011/0226003	A1	9/2011	Chaney et al.		2017/0108260	A1	4/2017	Ansted et al.
2011/0226785	A1	9/2011	Sakell		2017/0127782	A1	5/2017	Korey et al.
2012/0024896	A1	2/2012	Scobey et al.		2017/0165829	A1	6/2017	Damberg
2012/0103740	A1	5/2012	Moussatche et al.		2017/0173781	A1	6/2017	Damberg
2012/0104012	A1	5/2012	Cowie et al.		2017/0215537	A1	8/2017	Yu
2012/0168444	A1	7/2012	Shitrit et al.		2017/0290400	A1	10/2017	Thomas
2012/0193353	A1	8/2012	Cronin et al.		2017/0347765	A1	12/2017	Jackson et al.
2012/0267208	A1	10/2012	D'Angelo		2018/0035775	A1	2/2018	Haimoff
2012/0273506	A1	11/2012	Adams et al.		2018/0037394	A1	2/2018	Seiders et al.
2012/0286489	A1	11/2012	Bartholomew		2018/0078008	A1	3/2018	Sturm
2012/0312708	A1	12/2012	Roehm et al.		2018/0087819	A1	3/2018	Triska et al.
2013/0068579	A1	3/2013	Mathieu et al.		2018/0141718	A1	5/2018	Ahlstrom et al.
2013/0140120	A1	6/2013	Rasmussen		2018/0194533	A1	7/2018	Bramwell
2013/0168196	A1	7/2013	Stanley		2018/0335241	A1	11/2018	Li et al.
2013/0175130	A1	7/2013	Liang		2018/0339820	A1	11/2018	Reinhart et al.
2013/0175276	A1	7/2013	Gleichauf et al.		2018/0354687	A1	12/2018	Seiders et al.
2013/0248390	A1	9/2013	Roehm et al.		2019/0008254	A1	1/2019	Newson
2013/0284619	A1 *	10/2013	Daley	B65D 81/3813 206/216	2019/0092530	A1	3/2019	Seiders et al.
2013/0292220	A1	11/2013	Kerley		2019/0170422	A1	6/2019	Dexter
2013/0292221	A1	11/2013	Ryan et al.		2019/0234671	A1	8/2019	Stanford et al.
2013/0307214	A1	11/2013	Groller et al.		2019/0256119	A1	8/2019	Brilhante et al.
2014/0027454	A1	1/2014	Banik		2019/0271433	A1	9/2019	Tonelli
2014/0062042	A1	3/2014	Wagner et al.		2020/0037719	A1	2/2020	Jaworski et al.
2014/0069832	A1	3/2014	Roehm		2020/0039056	A1	2/2020	Damberg
2014/0130310	A1	5/2014	Roth		2020/0060400	A1	2/2020	Glaser
2014/0137370	A1	5/2014	Lo et al.		2020/0061802	A1	2/2020	Samsel et al.
2014/0138384	A1	5/2014	O'Brien		2020/0062454	A1	2/2020	Duong et al.
2014/0151388	A1	6/2014	Culeron et al.		2020/0086905	A1	3/2020	Yao et al.
2014/0158028	A1	6/2014	Adams		2020/0217576	A1	7/2020	Guan et al.
2014/0166516	A1	6/2014	Martinez et al.					
2014/0197059	A1	7/2014	Evans et al.					
2014/0251864	A1	9/2014	Voeller					
2014/0252010	A1	9/2014	Miller					
2014/0265197	A1	9/2014	Russell et al.					
2014/0271095	A1	9/2014	Umans et al.					
2014/0284158	A1	9/2014	Reid					
2014/0284243	A1	9/2014	Tucker					
2014/0311361	A1	10/2014	Wangler					
2014/0311844	A1	10/2014	Meersschaert et al.					
2014/0319147	A1	10/2014	Horovitz et al.					
2015/0021132	A1	1/2015	Sijmons et al.					
2015/0027835	A1	1/2015	Moon					
2015/0034515	A1	2/2015	Monyak et al.					
2015/0069962	A1	3/2015	Dietzel et al.					
2015/0089903	A1	4/2015	Carey					
2015/0090551	A1	4/2015	Sikka					
2015/0114024	A1	4/2015	Grepper					
2015/0129569	A1	5/2015	Miller					
2015/0150347	A1	6/2015	Scicluna					
2015/0175338	A1	6/2015	Culp et al.					

FOREIGN PATENT DOCUMENTS

BE	1013040	A3	8/2001
BE	1016429	A3	10/2006
BR	202015031355	U2	6/2017
CA	60997	A	8/1898
CA	72336	A	7/1901
CA	72337	A	7/1901
CA	72338	A	7/1901
CA	73327	A	10/1901
CA	77273	A	9/1902
CA	81456	A	6/1903
CA	152411	A	12/1913
CA	175930	A	3/1917
CA	175939	A	3/1917
CA	2624994	A1	5/2000
CA	89737	A	6/2000
CA	2483772	A1	4/2005
CA	2633223	A1	12/2009
CA	2635328	A1	12/2009
CA	2782668	A1	12/2013
CH	365631	A	11/1962

US D960,656 S

CN	2073459	U	3/1991	CN	304036742	2/2017
CN	2132145	Y	5/1993	CN	304036750	2/2017
CN	1112819	A	12/1995	CN	304050612	2/2017
CN	2515999	Y	10/2002	CN	304068469	3/2017
CN	2549792	Y	5/2003	CN	304076890	3/2017
CN	1457237	A	11/2003	CN	106551485	A 4/2017
CN	2664452	Y	12/2004	CN	304172638	6/2017
CN	3498732		1/2006	CN	107125891	A 9/2017
CN	3498735		1/2006	CN	107173938	A 9/2017
CN	2813823	Y	9/2006	CN	107307551	A 11/2017
CN	300690540		9/2007	CN	107467837	A 12/2017
CN	300690541		9/2007	CN	206702967	U 12/2017
CN	201076126	Y	6/2008	CN	304411334	12/2017
CN	300854008		12/2008	CN	304411336	12/2017
CN	300856959		12/2008	CN	304411337	12/2017
CN	300918117		5/2009	CN	304411389	12/2017
CN	301150817		3/2010	CN	304417314	12/2017
CN	301189065		5/2010	CN	304423206	12/2017
CN	201691232	U	1/2011	CN	304423258	12/2017
CN	301548656		5/2011	CN	304423259	12/2017
CN	301620134		7/2011	CN	304423260	12/2017
CN	201919912	U	8/2011	CN	304423317	12/2017
CN	201938601	U	8/2011	CN	206880270	U 1/2018
CN	301711528		11/2011	CN	304461798	1/2018
CN	301808188		1/2012	CN	107668874	A 2/2018
CN	301950501		6/2012	CN	304532315	3/2018
CN	102626271	A	8/2012	CN	304532317	3/2018
CN	302115731		10/2012	CN	304532318	3/2018
CN	102805467	A	12/2012	CN	304532319	3/2018
CN	202722894	U	2/2013	CN	304539046	3/2018
CN	102948946	A	3/2013	CN	304555895	3/2018
CN	202760445	U	3/2013	CN	304562598	4/2018
CN	302365993		3/2013	CN	304569073	4/2018
CN	202874104	U	4/2013	CN	304569074	4/2018
CN	302425923		5/2013	CN	108078109	A 5/2018
CN	302448361		6/2013	CN	304645055	5/2018
CN	203182247	U	9/2013	CN	207428627	U 6/2018
CN	203283617	U	11/2013	CN	304653754	6/2018
CN	302631183		11/2013	CN	304660325	6/2018
CN	203439475	U	2/2014	CN	304660327	6/2018
CN	302811286		5/2014	CN	304660329	6/2018
CN	302868078		7/2014	CN	304660332	6/2018
CN	203789329	U	8/2014	CN	304692146	6/2018
CN	203814784	U	9/2014	CN	304701684	6/2018
CN	204032607	U	12/2014	CN	304749390	7/2018
CN	104433073	A	3/2015	CN	304764980	8/2018
CN	204245396	U	4/2015	CN	108497660	A 9/2018
CN	303154464		4/2015	CN	304823685	9/2018
CN	303186110		4/2015	CN	304823694	9/2018
CN	303221245		5/2015	CN	108608804	A 10/2018
CN	204409860	U	6/2015	CN	207949211	U 10/2018
CN	303228513		6/2015	CN	304836888	10/2018
CN	303228514		6/2015	CN	304854893	10/2018
CN	303242426		6/2015	CN	304862165	10/2018
CN	303251869		6/2015	CN	304862166	10/2018
CN	303324038		8/2015	CN	108741519	A 11/2018
CN	303333672		8/2015	CN	108783799	A 11/2018
CN	201530103483		8/2015	CN	108835813	A 11/2018
CN	303381343		9/2015	CN	108835814	A 11/2018
CN	303390870		9/2015	CN	304877452	11/2018
CN	303499903		12/2015	CN	304900938	11/2018
CN	303546215		1/2016	CN	108945792	A 12/2018
CN	201530438676		2/2016	CN	109043770	A 12/2018
CN	201530438792		2/2016	CN	208192442	U 12/2018
CN	105473462	A	4/2016	CN	208192487	U 12/2018
CN	303630971		4/2016	CN	304970790	1/2019
CN	303680031		5/2016	CN	304995265	1/2019
CN	303680054		5/2016	CN	305641119	1/2019
CN	303687108		6/2016	CN	109303399	A 2/2019
CN	205521292	U	8/2016	CN	305019548	2/2019
CN	303783877		8/2016	CN	109431028	A 3/2019
CN	303799176		8/2016	CN	109497673	A 3/2019
CN	201630123602		8/2016	CN	208581902	U 3/2019
CN	303904119		11/2016	CN	305050777	3/2019
CN	303918135		11/2016	CN	305078423	3/2019
CN	205831341	U	12/2016	CN	305078424	3/2019
CN	303982382		12/2016	CN	305111950	4/2019
CN	303982387		12/2016	CN	305181543	5/2019
CN	304000494		1/2017	CN	305181544	5/2019

US D960,656 S

CN	305184266	5/2019	DE	202004007996	U1	7/2004
CN	305184268	5/2019	DE	202004012191	U1	12/2004
CN	305191726	6/2019	DE	202004015475	U1	1/2005
CN	305219344	6/2019	DE	202004016959	U1	2/2005
CN	305242412	7/2019	DE	202005006105	U1	6/2005
CN	305242413	7/2019	DE	202005014773	U1	11/2005
CN	305283238	8/2019	DE	202006001888	U1	4/2006
CN	209403814	U 9/2019	DE	402010002800-0008		6/2010
CN	305347993	9/2019	DE	402010002800-0001		7/2010
CN	305359134	9/2019	DE	402010002800-0002		7/2010
CN	305359135	9/2019	DE	402010002800-0003		7/2010
CN	209528183	U 10/2019	DE	402010002800-0004		7/2010
CN	305398498	10/2019	DE	402010002800-0007		7/2010
CN	209563672	U 11/2019	DE	402010002800-0009		7/2010
CN	209628893	U 11/2019	DE	402010002800-0010		7/2010
CN	305424085	11/2019	DE	402010002800-0011		7/2010
CN	305424089	11/2019	DE	402010002800-0012		7/2010
CN	305437133	11/2019	DE	202012006671	U1	8/2012
CN	305437134	11/2019	DE	102012025617	A1	10/2013
CN	305437137	11/2019	DE	102013004590	A1	9/2014
CN	110605939	A 12/2019	DE	102013114520	A1	6/2015
CN	209719155	U 12/2019	DE	202016004315	U1	8/2016
CN	209719159	U 12/2019	DE	202015106823	U1	3/2017
CN	209732871	U 12/2019	DE	102017122609	A1	3/2019
CN	209788810	U 12/2019	EM	000134804-0001		6/2004
CN	305476163	12/2019	EM	001606468-0001		9/2009
CN	305488622	12/2019	EM	001606468-0002		9/2009
CN	305499080	12/2019	EM	001682428-0001		4/2010
CN	305518862	12/2019	EM	001682428-0002		4/2010
CN	209931762	U 1/2020	EM	001682428-0003		4/2010
CN	209965461	U 1/2020	EM	001682428-0004		4/2010
CN	305527333	1/2020	EM	001682428-0005		4/2010
CN	305533439	1/2020	EM	001682428-0006		4/2010
CN	305533533	1/2020	EM	001781865-0001		12/2010
CN	305533534	1/2020	EM	001781865-0006		12/2010
CN	305533538	1/2020	EM	001781865-0007		12/2010
CN	305533539	1/2020	EM	001781865-0008		12/2010
CN	305540311	1/2020	EM	001781899-0006		2/2011
CN	305547763	1/2020	EM	001781899-0009		2/2011
CN	305547764	1/2020	EM	002215897-0001		8/2013
CN	305547961	1/2020	EM	002277574-0001		8/2013
CN	305556652	1/2020	EM	002277574-0002		8/2013
CN	305563596	1/2020	EM	002325209-0001		11/2013
CN	305571758	1/2020	EM	002325209-0002		11/2013
CN	305571764	1/2020	EM	002569467-0001		11/2014
CN	305577923	1/2020	EM	002569467-0002		11/2014
CN	305577960	1/2020	EM	002569467-0003		11/2014
CN	305578103	1/2020	EM	002569467-0004		11/2014
CN	210076793	U 2/2020	EM	002576728-0013		11/2014
CN	210114130	U 2/2020	EM	002646935-0001		3/2015
CN	305584094	2/2020	EM	002978569-0001		2/2016
CN	305584095	2/2020	EM	003261668-0002		7/2016
CN	305584098	2/2020	EM	003743905-0006		2/2017
CN	305605578	2/2020	EM	004100048-0001		9/2017
CN	305614805	2/2020	EM	004100048-0002		9/2017
CN	305621592	2/2020	EM	004385409-0001		10/2017
CN	305621593	2/2020	EM	004168789-0001		11/2017
CN	305629332	2/2020	EM	004662039-0002		3/2018
CN	305635594	3/2020	EM	004662039-0003		3/2018
CN	305636583	3/2020	EM	005609583-0001		8/2018
CN	305639489	3/2020	EM	005625977-0006		9/2018
CN	305642338	3/2020	EM	005500311-0002		10/2018
CN	305642339	3/2020	EM	005500311-0003		10/2018
CN	305642418	3/2020	EM	005804747-0001		10/2018
DE	74708	C 4/1894	EM	005804762-0001		10/2018
DE	2020368	A1 11/1971	EM	005804770-0001		10/2018
DE	7502524	U 9/1975	EM	005805140-0001		10/2018
DE	2939826	A1 4/1980	EM	005805199-0001		10/2018
DE	3344410	A1 6/1985	EM	006453072-0001		5/2019
DE	8620597	U1 9/1986	EM	006618583-0001		10/2019
DE	9012845	U1 10/1990	EM	006618583-0002		10/2019
DE	4042245	A1 7/1991	EM	006618583-0003		10/2019
DE	9105033	U1 3/1992	EM	006618583-0004		10/2019
DE	9408707	U1 9/1995	EM	007064233-0002		11/2019
DE	29516306	U1 2/1997	EM	007145461-0012		11/2019
DE	29815666	U1 11/1998	EM	007449095-0001		1/2020
DE	19755532	A1 6/1999	EM	007576806-0001		2/2020
DE	20312950	U1 10/2003	EM	007719141-0001		3/2020
DE	20313077	U1 1/2004	EP	0069419	A1	1/1983

US D960,656 S

Page 11

EP	0530067	A1	3/1993	JP	3211023	B2	9/2001
EP	0587451	A1	3/1994	JP	D1121506		9/2001
EP	0221215	B1	6/1995	JP	3225244	B2	11/2001
EP	0670791	A1	9/1995	JP	D2001-10753		6/2002
EP	1000865	A1	5/2000	JP	D1193948		1/2004
EP	1059239	A1	12/2000	JP	2006122067	A	5/2006
EP	1080656	A1	3/2001	JP	D1312168		10/2007
EP	1442845	A1	8/2004	JP	D2007-16058		5/2008
EP	1475008	A1	11/2004	JP	D2007-16059		5/2008
EP	1880948	A2	1/2008	JP	D1338388		8/2008
EP	1921009	A1	5/2008	JP	D1382214		3/2010
EP	2024218	A2	2/2009	JP	D1382215		3/2010
EP	2107982	A1	10/2009	JP	D1397219		9/2010
EP	2236428	A1	10/2010	JP	D1397346		9/2010
EP	2330939	A1	6/2011	JP	D1408819		3/2011
EP	2344000	A1	7/2011	JP	D1408988		3/2011
EP	2387906	A1	11/2011	JP	2014184051	A	10/2014
EP	2412493	A2	2/2012	JP	6206200	B2	10/2017
EP	2441340	A1	4/2012	JP	6226662	B2	11/2017
EP	2522248	A1	11/2012	JP	2019119506	A	7/2019
EP	2543481	A1	1/2013	KR	100395931	B1	8/2003
EP	2745727	A2	6/2014	KR	3020030024985		9/2003
EP	2826394	A1	1/2015	KR	200362331	Y1	9/2004
EP	2829484	A1	1/2015	KR	20070101643	A	10/2007
EP	2829485	A1	1/2015	KR	20070103598	A	10/2007
EP	2904926	A1	8/2015	KR	3020070008850		12/2007
EP	3013176	A1	5/2016	KR	300492699.0000		5/2008
EP	3027078	A1	6/2016	KR	20090074289	A	7/2009
EP	3073852	A1	10/2016	KR	100921297	B1	10/2009
EP	3216363	A1	9/2017	KR	101267451	B1	5/2013
EP	3351130	A1	7/2018	KR	300740505.0000		4/2014
EP	3403521	A1	11/2018	KR	300887228.0000		12/2016
EP	3581059	A1	12/2019	KR	300908948.0000		6/2017
FR	1198768	A	12/1959	KR	300908949.0000		6/2017
FR	2179844	A1	11/1973	KR	300915252.0000		7/2017
FR	2223248	A1	10/1974	KR	20180037090	A	4/2018
FR	2638950	A1	5/1990	KR	300968949.0000		8/2018
FR	2689100	A1	10/1993	KR	300982867.0000		11/2018
FR	2711044	A1	4/1995	KR	300983257.0000		12/2018
FR	2712257	A1	5/1995	KR	300990253.0000		1/2019
FR	2809690	A1	12/2001	KR	3009902440000		1/2019
FR	2870692	A1	12/2005	KR	300996066.0000		3/2019
FR	2912997	A1	8/2008	KR	102054504	B1	12/2019
GB	854540	A	11/1960	KR	301037245.0000		12/2019
GB	1041392	A	9/1966	KR	301037251.0000		12/2019
GB	2023550	A	1/1980	KR	301050842.0000		3/2020
GB	2023551	A	1/1980	KR	301541440002		4/2020
GB	2032814	A	5/1980	NL	7504291	A	10/1975
GB	2047073	A	11/1980	NL	8903105	A	7/1991
GB	2023549	A	9/1992	NL	1032860	C1	11/2006
GB	2278874	A	12/1994	RU	00100422	U1	12/2010
GB	2291042	A	1/1996	TR	201708307-0001		2/2018
GB	2045135	A	2/1996	TW	M310869	U	5/2007
GB	2308803	A	7/1997	WO	9400034	A1	1/1994
GB	2289713	B	12/1997	WO	D032061-005		4/1995
GB	2421713	A	7/2006	WO	D035637-003		2/1996
GB	2438189	A	11/2007	WO	D036648-008		6/1996
GB	2459111	A	10/2009	WO	9631140	A1	10/1996
GB	4036176		7/2014	WO	9748613	A1	12/1997
GB	4037039		10/2014	WO	0041937	A1	7/2000
GB	90066075520006		7/2019	WO	D168477	A1	9/2001
GB	2575671	A	1/2020	WO	02064445	A1	8/2002
ID	D0000002662-0001		1/2003	WO	03041529	A1	5/2003
IL	55179	A	7/1981	WO	2004076291	A2	9/2004
IN	266778		5/2015	WO	2006019314	A1	2/2006
IN	266779-0001		5/2015	WO	2006037302	A1	4/2006
IN	276720		2/2016	WO	2008001029	A1	1/2008
JP	S57-150175	U	9/1982	WO	2008034603	A1	3/2008
JP	S60-164570	A	8/1985	WO	2009028960	A1	3/2009
JP	H03-066374	U	6/1991	WO	2011135559	A1	11/2011
JP	H0574275	A	3/1993	WO	2012000497	A1	1/2012
JP	H07-102842	A	4/1995	WO	2012029119	A1	3/2012
JP	H08-093298	A	4/1996	WO	D078390-004		11/2012
JP	2569734	B2	1/1997	WO	2013014670	A1	1/2013
JP	2976179	B2	11/1999	WO	D080557-001		4/2013
JP	2001-107621	A	4/2001	WO	2013126851	A1	8/2013
JP	3177720	B2	6/2001	WO	2014131214	A1	9/2014
JP	3197227	B2	8/2001	WO	2014193073	A1	12/2014
JP	2001-262907	A	9/2001	WO	2015040526		3/2015

WO	2015087357	A1	6/2015
WO	2016072912	A1	5/2016
WO	2016091570	A1	6/2016
WO	2017034992	A1	3/2017
WO	2017088278	A1	6/2017
WO	2017091899	A1	6/2017
WO	2017191628	A1	11/2017
WO	2017192694	A1	11/2017
WO	2018012675	A1	1/2018
WO	2018169478	A1	9/2018
WO	2019238228	A1	12/2019
WO	2020030766	A1	2/2020

OTHER PUBLICATIONS

Pelican Elite 50 Quart Cooler, available Nov. 9, 2016, [online], [site visited Mar. 31, 2018], Available from internet, <URL https://www.amazon.com/Pelican-Elite-Quart-Cooler-White/product-reviews/B01G7KG5PA/ref=cm_cr_getr_d_paging_btm_5?ie=UTF8&reviewerType=all_reviews&sortBy=recent&pageNumber=5 (Year:2016).

Pelican Storm Waterproof Case, available Jul. 27, 2009, [online], [site visited Mar. 31, 2018]. Available from internet, <URL: https://www.amazon.com/dp/B002JB07D8?aaixtk=EqSpVoa9QpKAGqst7rmxMA&pd_rd_i=B002JB07D8&pf_rd_m=ATVPDKIKXODER&pf (Year: 2009).

Outdoor Products Small Watertight Dry Box, Blue, available May 31, 2016, [online], [site visited Mar. 31, 2018]. Available from internet, <URL: <https://www.walmart.com/ip/Outdoor-Products-Small-Watertight-Dry-Box-Blue/26674162> (Year: 2016).

Sep. 20, 2018—(WO) International Search Report and Written Opinion—App. PCT/US2018/037100.

Yeti.com, Images of Loadout Bucket Web Page visited on Mar. 17, 2020, at https://www.yeti.com/en_US/buckets/loadout-5-gallon-bucket/YLOB5.html?dwvar_YLOB5_color=white&cgid=buckets#start=1 <https://www.yeti.com/en_US/buckets/loadout-5-gallon-bucket/YLOB5.html?dwvar_YLOB5_color=white&cgid=buckets>.

Amazon.com, “Top Shelf Custom Injection Molded ABS Saddlebag Organizer Tray, 2014—Current H-D ABS Hard Bags, LFT by Advanced Accessory Concepts LLC,” visited Oct. 16, 2019 and revisited Jan. 6, 2020 at https://www.amazon.com/Custom-Injection-Molded-Saddlebag-Organizer/dp/B01MQWBM40/ref=sr_1_38?keywords=luggage+hard+removable+liner&qid=1571270714&sr=8-38.

Amazon.com, “TCMT Matt Black Chopped Tour Pack Trunk w/Backrest Fits For Harley Street Road Glide 2014-2020 (Style B) by TCMT,” visited Oct. 16, 2019 and revisited Jan. 6, 2020 at <https://www.amazon.com>.

Amazon.com, “HardBagger Top Shelf Hard Saddlebag Organizer—Right or Left TS100HD by HardBagger,” visited Oct. 16, 2019 and revisited Jan. 6, 2020 at <https://www.amazon.com/HardBagger-Shelf-Hard-Saddlebag-Organizer>.

Amazon.com, “Pelican Air 1615 Travel Case—Suitcase Luggage (Blue) by Pelican,” visited Oct. 16, 2019 and revisited Jan. 6, 2020 at https://www.amazon.com/Pelican-Air-1615-Travel-Case/dp/B07XGHDK66?ref=ast_sto_dp.

Amazon.com, “Pelican 015100-0050-110 Protector Carry-On Case Black w/TrekPak Insert: Camera & Photo,” visited Oct. 16, 2019 and revisited Jan. 6, 2020 at https://www.amazon.com/Pelican-1510TP-Carry-TrekPak-Divider/dp/B01E4E1BFK/ref=sr_1_48?crd=3CJLVWN9DJ62R&keywords=carry+on+organizer+insert&qid=1571270299&prefix=carry+on+organizer%2Caps%2C143&sr=8-48.

Amazon.com, “Samsonite F’Lite GT 31” Hardside Wheeled Luggage (Vivid Blue),” visited Dec. 16, 2019 and revisited Jan. 7, 2020 at <[Alibaba.com, “Removable Spinner Wheels for Suitcase Replacement Suitcase Luggage,” visited Dec. 16, 2019 and revisited Jan. 7, 2020 at \[https://www.alibaba.com/product-detail/Removable-Spinner-Wheels-For-Suitcase-Replacement_605641600\]\(https://www.alibaba.com/product-detail/Removable-Spinner-Wheels-For-Suitcase-Replacement_605641600\).](https://www.amazon.com/Samsonite-Flite-Spinner-Black-Size/dp/B01LTG2XVC?th=1>https://www.amazon.com/Samsonite-Flite-Spinner-Black-Size/dp/B01LTG2XVC?th=1>Samsonite F’Lite GT 31” Hardside Wheeled Luggage (Vivid Blue).</p>
</div>
<div data-bbox=)

Amazon.com, “Lockable Tackle Box Fishing Waterproof Fly Fishing Box Double Sided Ice Fishing Tackle Case Box Storage Waterproof: 360 Degree Rubber Gasket, Durable Plastic Construction Double Sided Triangle-Cut For,” visited Dec. 16, 2019 and revisited Jan. 7, 2020 at <<https://www.amazon.com/Lockable-Tackle-Fishing-Waterproof-Storage/dp/B07MFF6S6N>>.

Yankodesign.com, “Vacuum Packed Suitcase,” visited Dec. 16, 2019 and revisited Jan. 7, 2020 at <<https://www.yankodesign.com/2011/11/28/vacuum-packed-suitcase/>>.

Alibaba.com, “Portable Luggage Wheels for Luggage Trolley Bags & Suitcase,” visited Dec. 16, 2019 and revisited Jan. 7, 2020 at https://www.alibaba.com/product-detail/Portable-Luggage-Wheels-for-luggage-Trolley_1854722793.html.

Northerntool.com, “Dewalt 28in. Wheeled Toolbox, Model# DWST28100,” visited on Apr. 6, 2020 at https://www.northerntool.com/shop/tools/product_200726534_200726534.

Walmart.com, “Sterilite 151L Black Wheeled Industrial Tote,” visited on Apr. 6, 2020 at <https://www.walmart.ca/en/ip/sterilite-151l-black-wheeled-industrial-tote/6000195957310>.

Globalindustrial.com, “Contico UK3725-4 Rolling Pro Tuff Work Box,” visited on Apr. 6, 2020 at <https://www.globalindustrial.com/p/tools/tool-storage/Jo-Site/rolling-pro-tuff-work-box?infoParam.campaignId=T9F>.

Amazon.com, “Grey: Akro-Mils 33105 Akro-Grid Slotted Divider Plastic Tote Box,” visited on Apr. 6, 2020 at <https://www.amazon.in/Grey-Akro-Mils-Akro-Grid-Slotted-Divider/dp/B004C044VU>.

Globalindustrial.com, “Global Industrial™ Plastic Dividable Grid Container,” visited on Apr. 6, 2020 at <https://www.globalindustrial.com/p/storage/bins-totes-containers/dividable-grid/grid-wall-bin-stackable-1>.

Globalindustrial.com, “Straight Wall Container Solid,” visited on Apr. 6, 2020 at <https://www.globalindustrial.com/p/storage/bins-totes-containers/stacking-containers/straight-wall-container-12x7-2-5x5>.

Lowe’s, “Craftsman 37-in Black Plastic Wheels Lockable Tool Box,” <https://www.lowes.com/pd/CRAFTSMAN-37-in-Black-Plastic-Wheeled-Lockable-Tool-Box/1000578337>.

Home Depot, “Husky 37 in. Rolling Tool Box Utility Cart Black,” <<https://www.homedepot.com/p/Husky-37-in-Rolling-Tool-Box-Utility-Cart-Black-209261/203668066>>.

B&H, “Nanuk 960 Protective Rolling Case with Dividers and Organizer (Black),” https://www.bhphotovideo.com/c/product/1504703-REG/nanuk_960_6001_960_waterproof_hard_case.html.

Toolguyd, “Milwaukee Packout Tool Boxes and Storage System, in Photos,” <https://toolguyd.com/milwaukee-backout-tool-boxes-photo-introduction/>.

May 12, 2020—(WO) Partial International Search—PCT/US2020/012404.

Jul. 6, 2020—(WO) International Search Report & Written Opinion—PCT/US2020/012404.

Aug. 13, 2020—(WO) Partial International Search—PCT/US2020/026655.

Oct. 7, 2020—(WO) ISR & WO—PCT/US2020/026655.

2020 Dec. 2020—(CN) First Office Action—App. No. 201880036572.1.

Apr. 7, 2021—(CN) First Office Action—App. No. 202030815015.X.

Oct. 18, 2021—(WO) International Search Report & Written Opinion—PCT/US21/023632.

www.amazon.com; website visited Oct. 6, 2021; Pelican 1510 Case with Foam; Date First Available Oct. 2, 2001; https://www.amazon.com/Pelican-1510-Case-Foam-Black/dp/B0002SKHIK/ref=sr_1_123?dchild=1&keywords=wheeled+tool+box+for+flying&qid=16%E2%80%A6 (Year: 2001).

Halliburton Pursuit Aluminum Continental Carry-on Case, Site visited on Oct. 6, 2021; website captured on May 20, 2020 via wayback: <https://web.archive.org/web/20200520103816/https://zerohalliburton.com/collections/luggage> (Year: 2020).

* cited by examiner

Primary Examiner — Terry A Wallace

(74) *Attorney, Agent, or Firm* — Banner & Witcoff, Ltd.

(57) **CLAIM**

The ornamental design for a bag accessory, as shown and described.

DESCRIPTION

FIG. 1 is a top, front, left perspective of a bag accessory showing our new design;

FIG. 2 is a bottom, rear, right perspective view thereof;

FIG. 3 is a front view thereof;

FIG. 4 is a rear view thereof;

FIG. 5 is a left side view thereof;

FIG. 6 is a right side view thereof;

FIG. 7 is a top view thereof; and,

FIG. 8 is a bottom view thereof.

The broken lines immediately adjacent to the shaded area form no part of the claimed design. The broken lines depicting the remainder of the bag accessory show features that form no part of the claimed design.

1 Claim, 6 Drawing Sheets

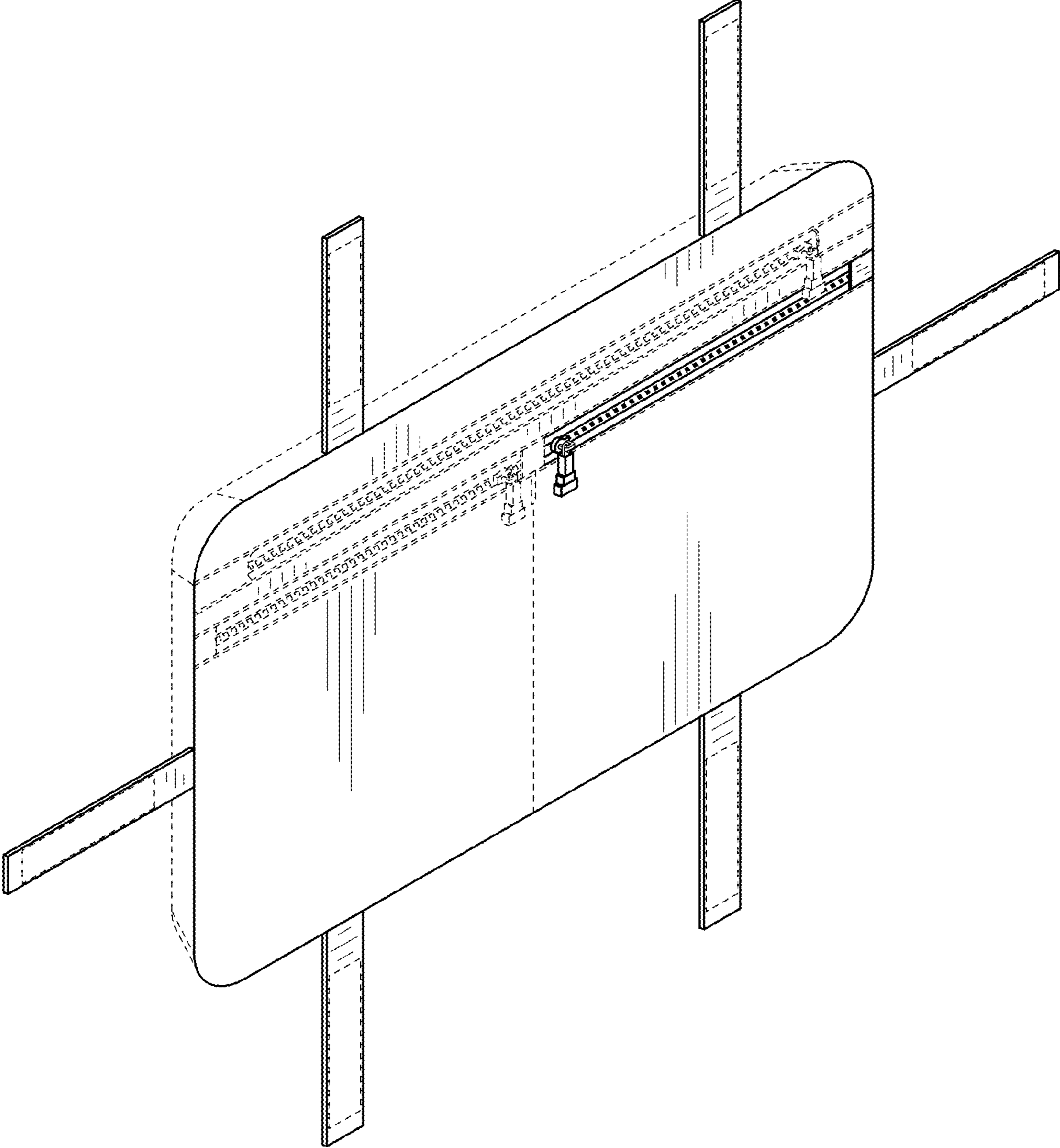


FIG. 1

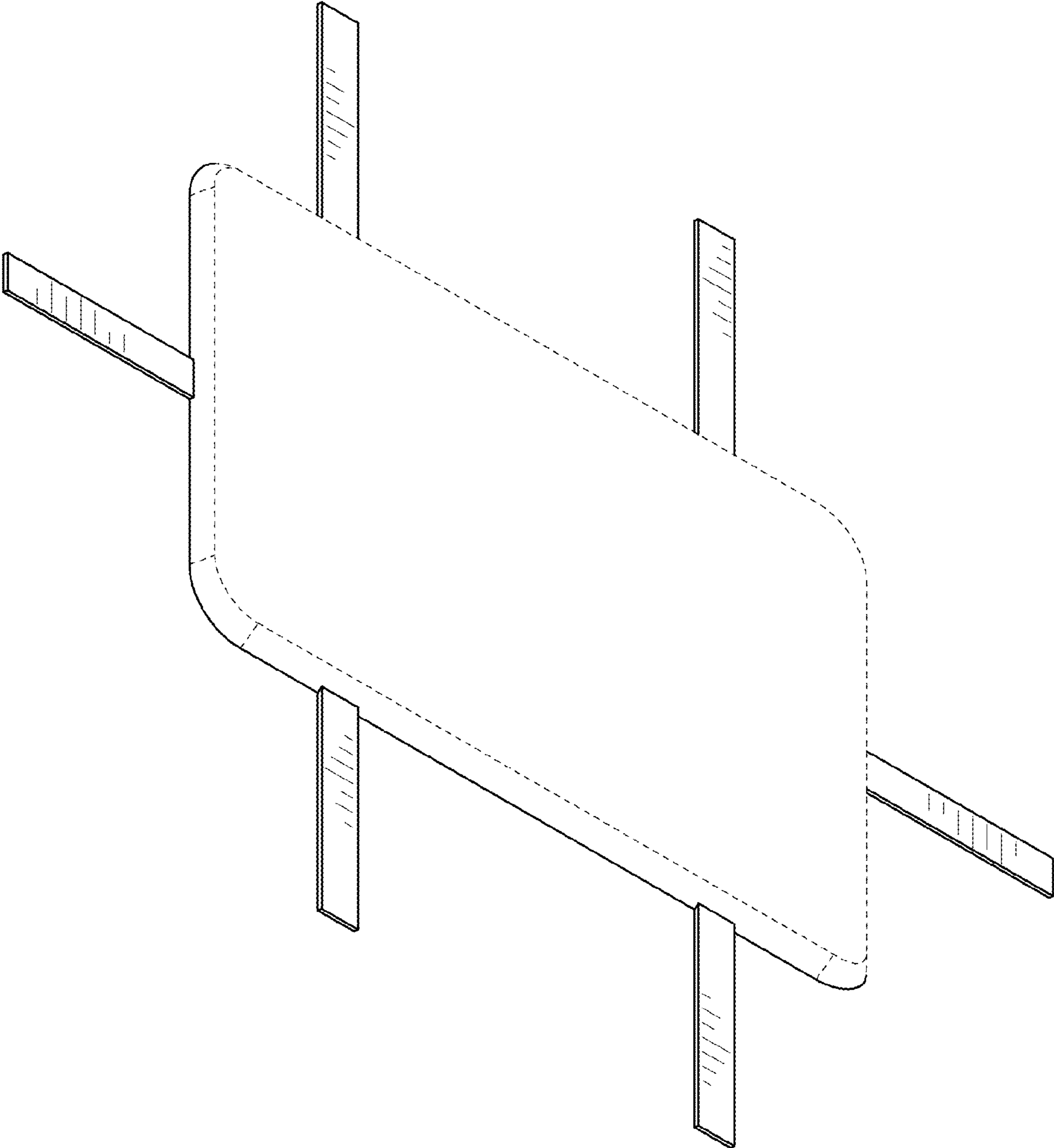


FIG. 2

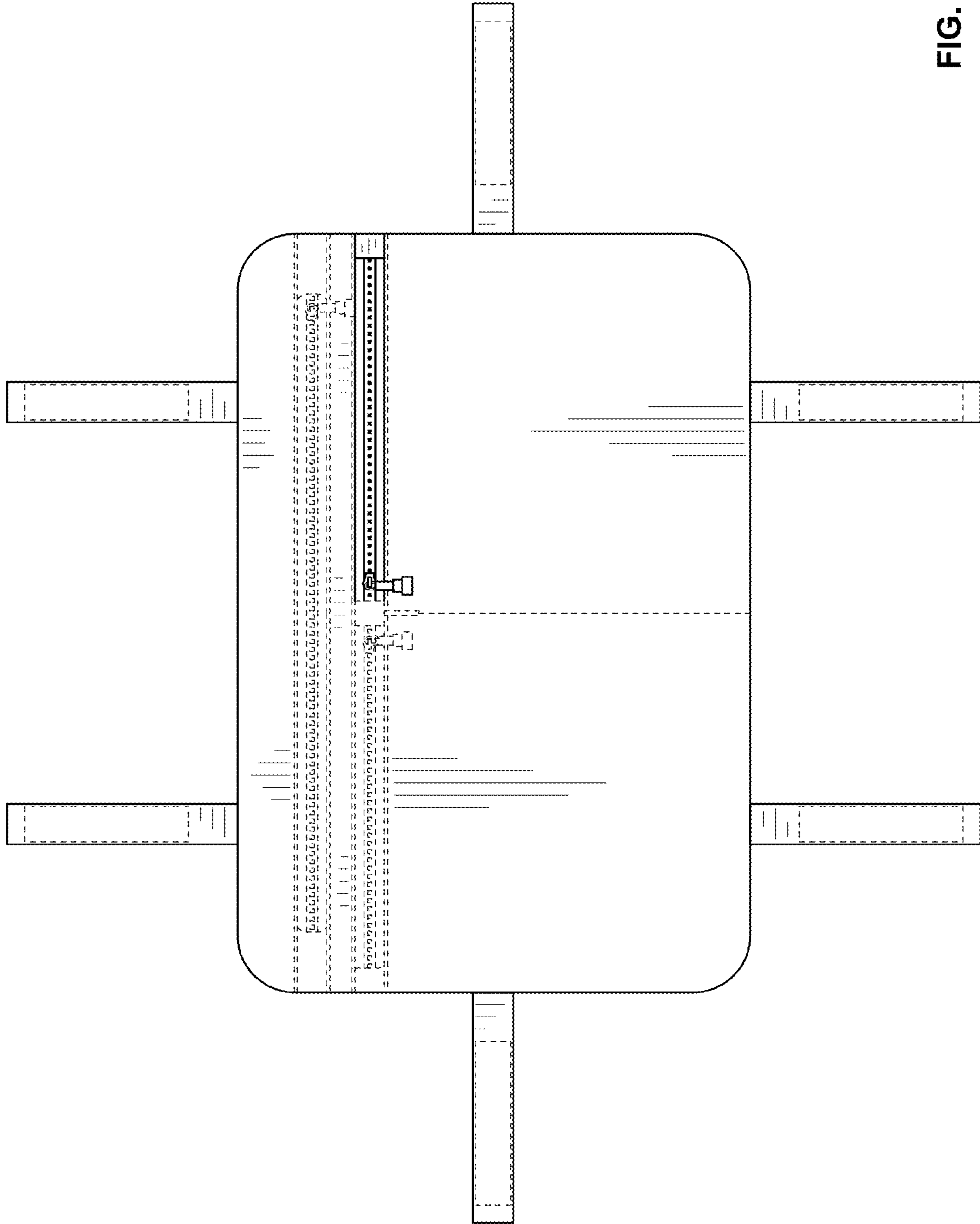


FIG. 3

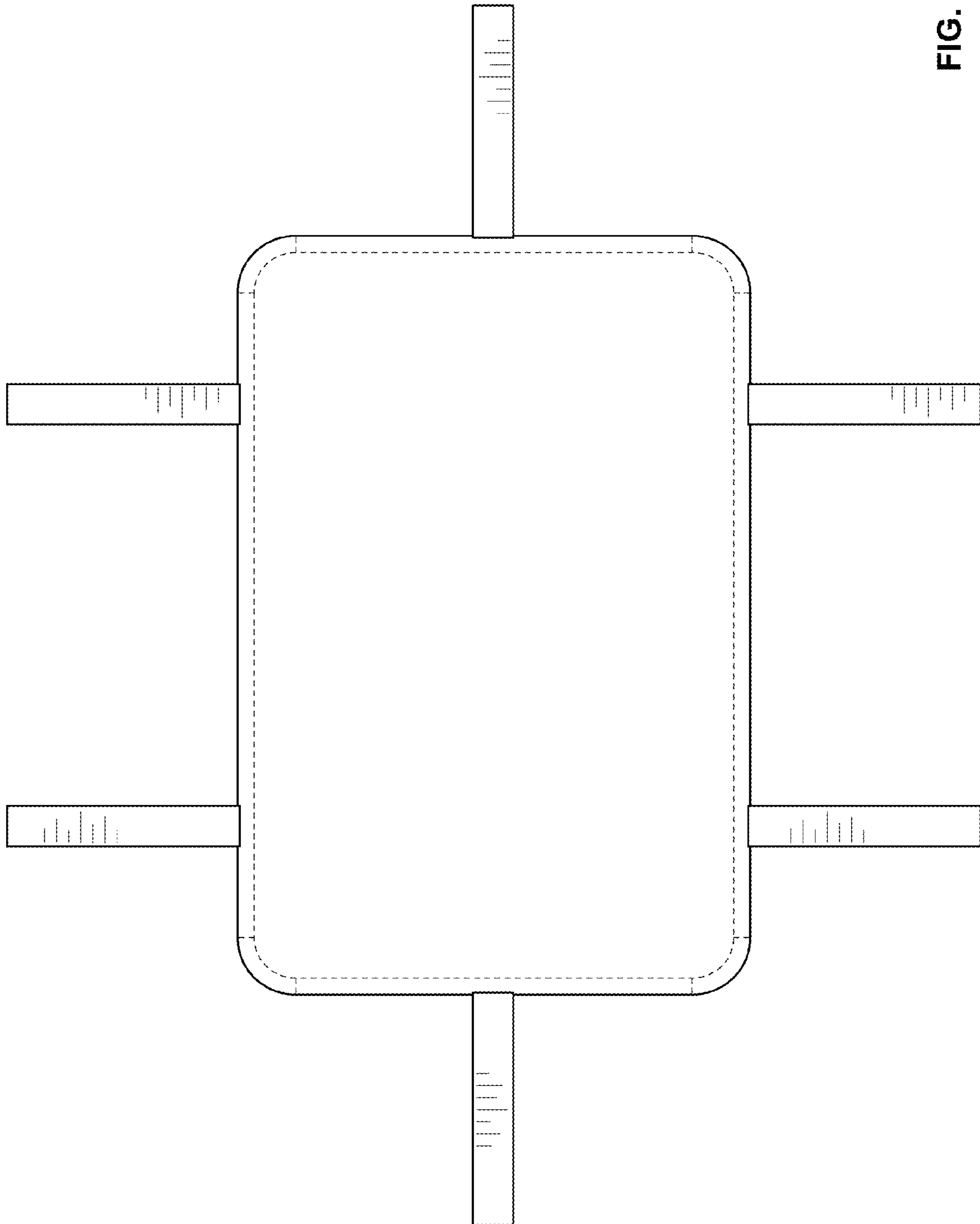


FIG. 4

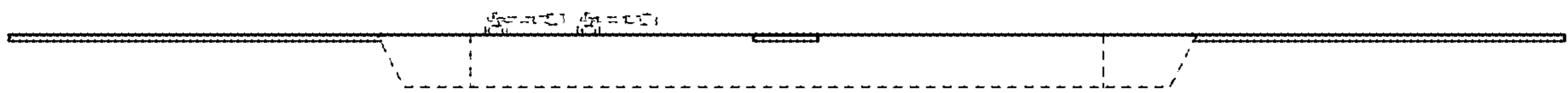


FIG. 6

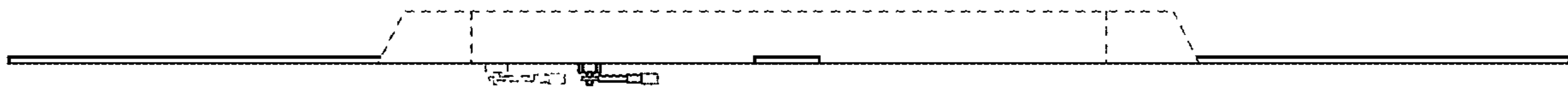


FIG. 5

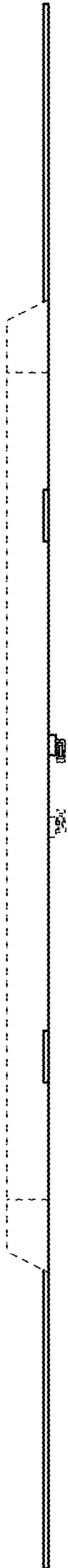


FIG. 7

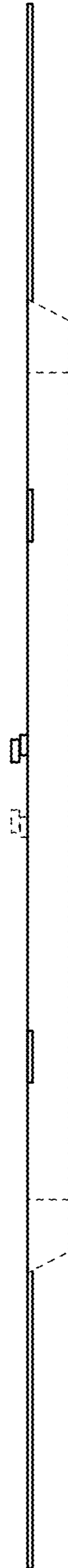


FIG. 8