



US00D960654S

(12) **United States Design Patent**
Moujaes et al.

(10) **Patent No.:** **US D960,654 S**
(45) **Date of Patent:** **** Aug. 16, 2022**

(54) **CONDIMENT HOLDER**

(71) Applicant: **MILKMEN DESIGN, LLC**, Akron, OH (US)

(72) Inventors: **William Moujaes**, Akron, OH (US);
Tony Lahood, Hinckley, OH (US);
Michael Koury, Medina, OH (US)

(73) Assignee: **MILKMEN DESIGN, LLC**, Akron, OH (US)

(**) Term: **15 Years**

(21) Appl. No.: **29/749,211**

(22) Filed: **Sep. 3, 2020**

Related U.S. Application Data

(63) Continuation-in-part of application No. 16/299,677, filed on Mar. 12, 2019, now Pat. No. 10,967,776, and a continuation-in-part of application No. 29/683,229, filed on Mar. 12, 2019, now Pat. No. Des. 899,196.

(51) **LOC (13) Cl.** **07-06**

(52) **U.S. Cl.**
USPC **D7/601; D7/620**

(58) **Field of Classification Search**

USPC D7/620, 601; D12/419, 420
CPC B60N 3/103; B60N 3/107; B60N 3/108;
B60N 3/10; B60N 3/18; B60R 7/06;
B60R 7/08; B60R 7/00; B60R 2011/0059;
B60R 2011/0008; B60R 2011/0042;
B60R 11/00; A47G 23/00

See application file for complete search history.

(56) **References Cited**

U.S. PATENT DOCUMENTS

4,339,033 A 7/1982 Cillario
4,854,466 A 8/1989 Lane, Jr.
5,108,059 A 4/1992 Curtis
D371,735 S * 7/1996 Motta D6/535

5,667,119 A 9/1997 Florence
5,702,041 A 12/1997 Sun et al.
5,979,724 A 11/1999 Loewenthal, Jr. et al.
6,152,302 A 11/2000 Miller et al.
6,189,489 B1 2/2001 Pearce

(Continued)

OTHER PUBLICATIONS

XxNiceThingsxX, Etsy.com, SauceBoss Dip Holder for Car | DipClip | McDonalds Dip Holder | Dip Clip UK | Sauce Boss | Hot Item!—UK Seller, https://www.etsy.com/listing/560494888/sauceboss-dip-holder-for-car-dipclip?ga_order=most_relevant&ga_search_type=all&ga_view_type=gallery&ga_search_query=dipclip&ref=sr_gallery_1, publication was accessible on Nov. 28, 2017, 4 pages.

(Continued)

Primary Examiner — Terry A Wallace

(74) *Attorney, Agent, or Firm* — Sand, Sebolt & Wernow Co., LPA

(57) **CLAIM**

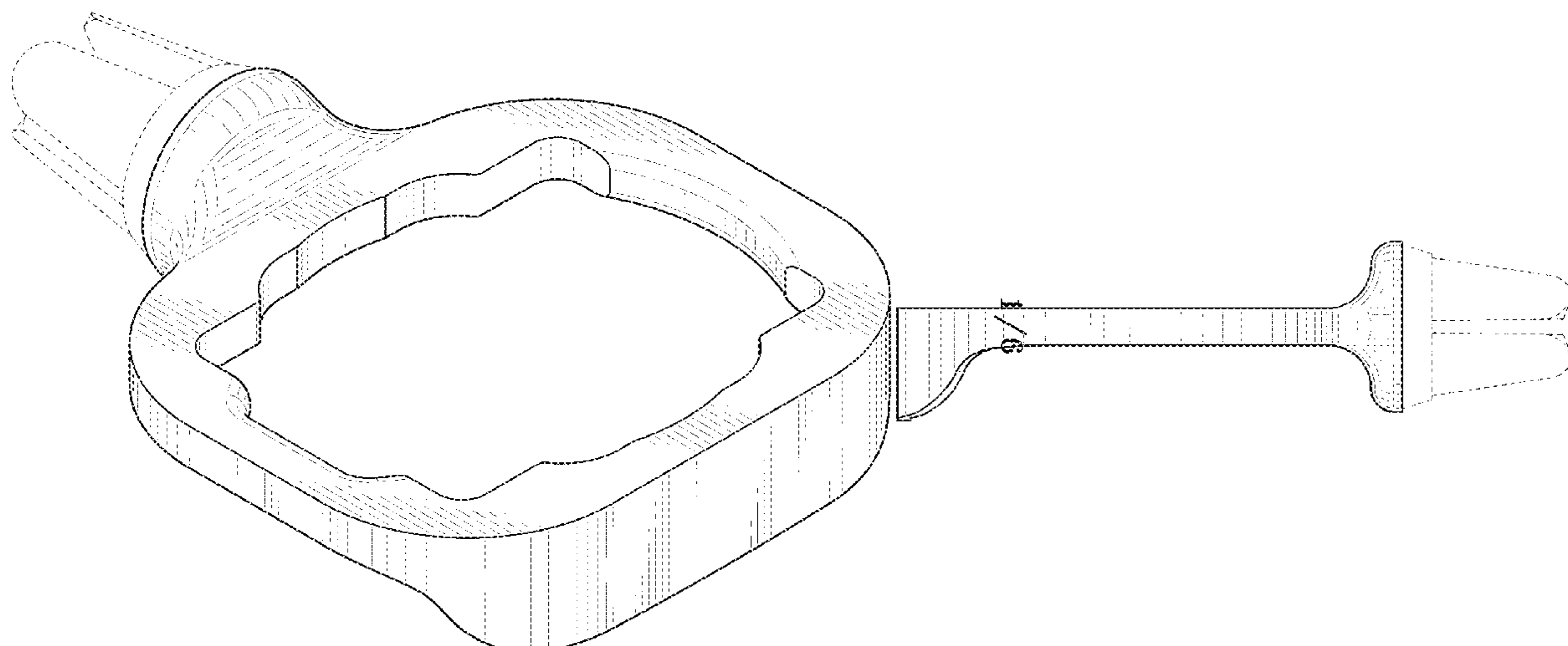
The ornamental design for a condiment holder, as shown and described.

DESCRIPTION

FIG. 1 is a front, top, left side, isometric perspective view of a condiment holder in accordance with our design; FIG. 2 is a rear, top, left side, isometric perspective view thereof; FIG. 3 is a front elevation view thereof; FIG. 4 is a rear elevation view thereof; FIG. 5 is a right side elevation view thereof; FIG. 6 is a left side elevation view thereof; FIG. 7 is a top plan view thereof; FIG. 8 is a bottom plan view thereof; and, FIG. 9 is a cross-section of the condiment holder taken along line 9-9 of FIG. 7.

The broken lines illustrate portions of the condiment holder which form no part of the claimed design.

1 Claim, 6 Drawing Sheets



(56)

References Cited

U.S. PATENT DOCUMENTS

6,193,201 B1 * 2/2001 Babcock B65D 5/44
248/205.3

6,196,434 B1 3/2001 Angran et al.

D447,012 S * 8/2001 Owens D7/620

6,364,112 B1 4/2002 Pitschka

6,682,034 B1 * 1/2004 Vial A47G 19/04
248/311.2

8,109,235 B2 4/2012 Lipscomb et al.

8,459,481 B2 6/2013 Arkin

D690,707 S 10/2013 Minn et al.

D696,074 S * 12/2013 Shamoon D7/584

D701,424 S * 3/2014 Shamoon D7/505

9,199,584 B2 12/2015 Mango

9,296,324 B2 3/2016 Mango

D780,168 S 2/2017 Du

9,567,136 B2 * 2/2017 Myoung B65D 25/22

D783,593 S 4/2017 Chen

D837,610 S * 1/2019 Maguire D7/601

D899,196 S * 10/2020 Moujaes D7/601

2010/0003375 A1 1/2010 Schecter

2010/0065715 A1 3/2010 Fan

2012/0138648 A1 6/2012 Moceo, II

2013/0119103 A1 5/2013 Mango

2013/0200124 A1 * 8/2013 Burwinkel B60N 3/103
224/545

2014/0021233 A1 * 1/2014 Strole B60N 3/10
224/545

2014/0103087 A1 4/2014 Fan

2014/0138418 A1 5/2014 Dunn

2014/0138419 A1 * 5/2014 Minn F16B 2/065
224/567

2014/0183238 A1 7/2014 Lin

2014/0326768 A1 * 11/2014 Mango B60N 3/103
224/542

2015/0217697 A1 * 8/2015 Peters B60R 7/06
224/483

2015/0366388 A1 * 12/2015 Goldstein B65D 67/02
220/737

2017/0136960 A1 5/2017 Kim

2019/0283646 A1 9/2019 Koury et al.

OTHER PUBLICATIONS

ImproperEngineering, Etsy.com, Sauce Buddy Dip Clip Adjustable The Original || Car Vent Holder Car Vent Sauce Holder Car Vent Clip Air Vent Sauce Holder DipClip, https://www.etsy.com/listing/573887405/sauce-buddy-dip-clip-the-original-sauce?ga_order=most_relevant&ga_search_type=all&ga_view_type=gallery&ga_search_query=dipclip&ref=sr_gallery_2, publication was accessible on Nov. 28, 2017, 4 pages.

PrintinTime3D, Etsy.com, Little Dipper || Dip Clip || Sauce Holder || Car Accessories || Dipclip || Car Vent Holder, https://www.etsy.com/listing/575082339/little-dipper-dip-clip-sauce-holder-car?ga_order=most_relevant&ga_search_type=all&ga_view_type=gallery&ga_search_query=dipclip&ref=sr_gallery_3, publication was accessible Nov. 28, 2017, 3 pages.

Thingiverse, Car DipClip by darookee, <https://www.thingiverse.com/thing:2662748>, publication was accessible Nov. 28, 2017, 3 pages.

Thingiverse, Car DipClip, Sauce holder for a car, Clips into air vent Vo.02 by JuXas, <https://www.thingiverse.com/thing:2660990>, publication was accessible Nov. 28, 2017, 3 pages.

12 WBOY.com, 'Fast Food Buddy' Invention Makes Eating On-the-Go Easier for Consumers, <http://www.wvalways.com/story/26388108/fast-food-buddy-invention-makes-eating-on-the-go-easier-for-consumers>, Posted Aug. 27, 2014, 2 pages.

FFB, Amazon.com, Bright Red Fast Food Buddy Dipping Sauce and Cup Holder, <https://www.amazon.com/Bright-Buddy-Dipping-Sauce-Holder/dp/B01C9RPI4E>, May 5, 2016, 4 pages.

Prepworks Dip Clip Set (Set of 4), Assorted Colors, https://www.walmart.com/ip/Prepworks-Dip-Clip-Set-Set-of-4-Assorted-Colors/28491881?wmlspartner=wlp&selectedSellerId=0&adid=2222222227019047513&w0=&w1=g&w2=c&w3=52360689975&w4=pla-79465779735&w5=9015314&w6=&w7=&w8=&w9=pla_with_promotion&w10=8175035&w11=online&w12=28491881&w13=&veh=sem, publication was accessible Nov. 28, 2017, 4 pages.

* cited by examiner

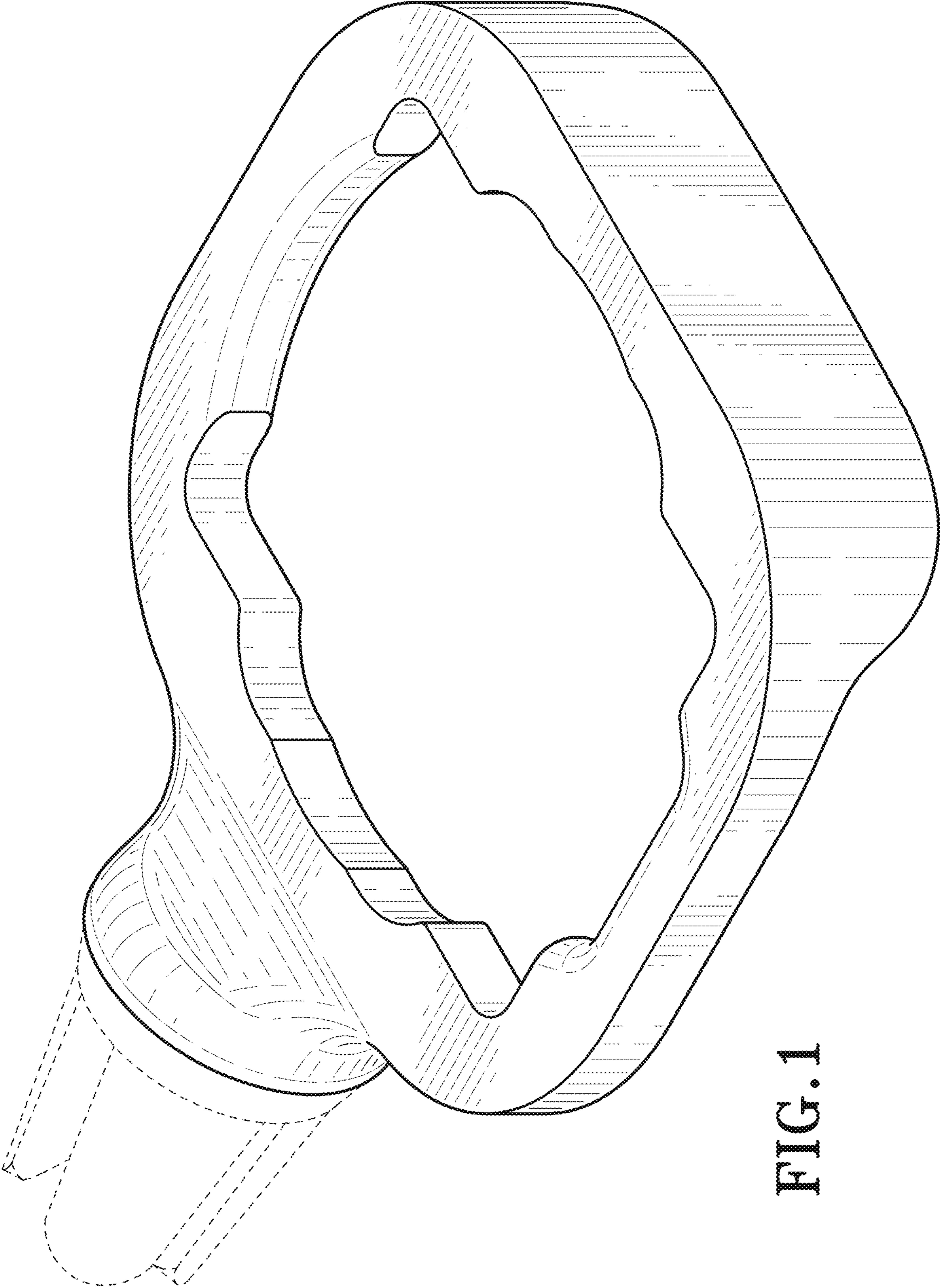


FIG. 1

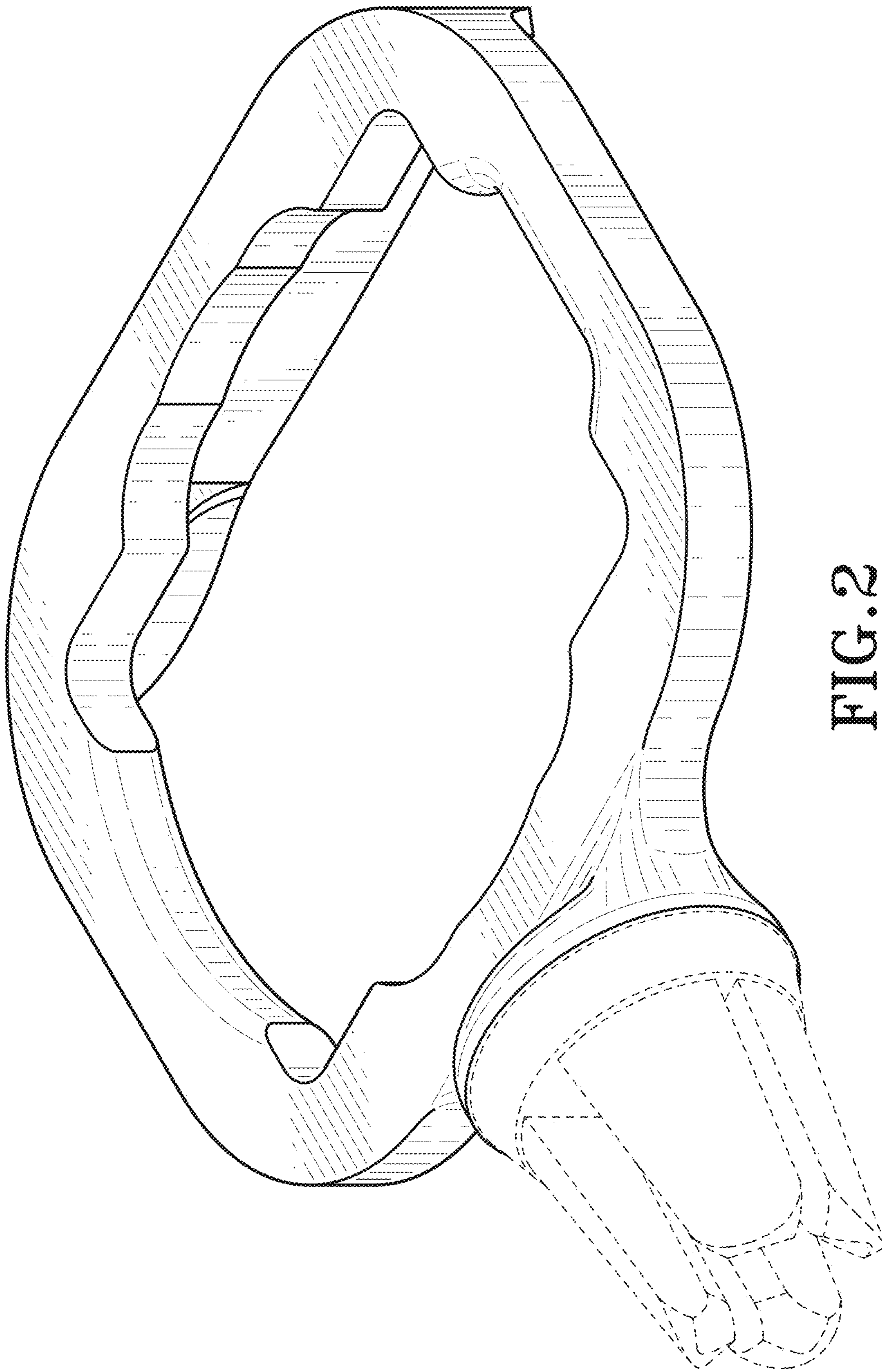


FIG. 2

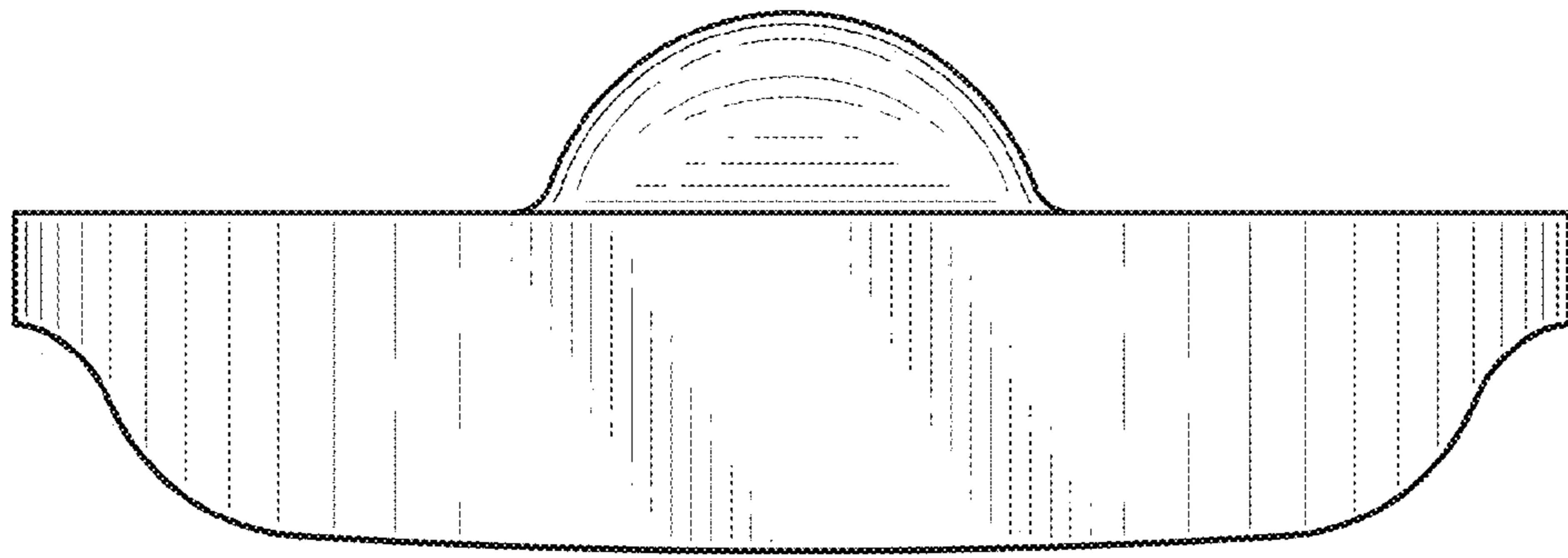


FIG. 3

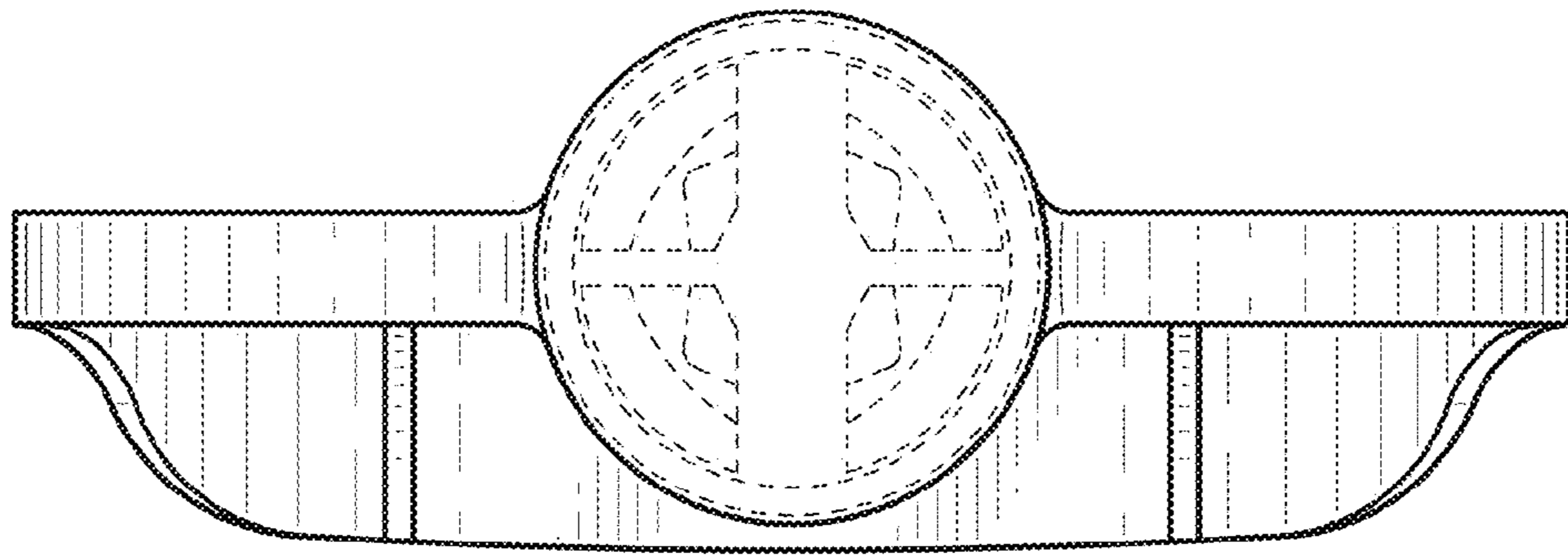


FIG. 4

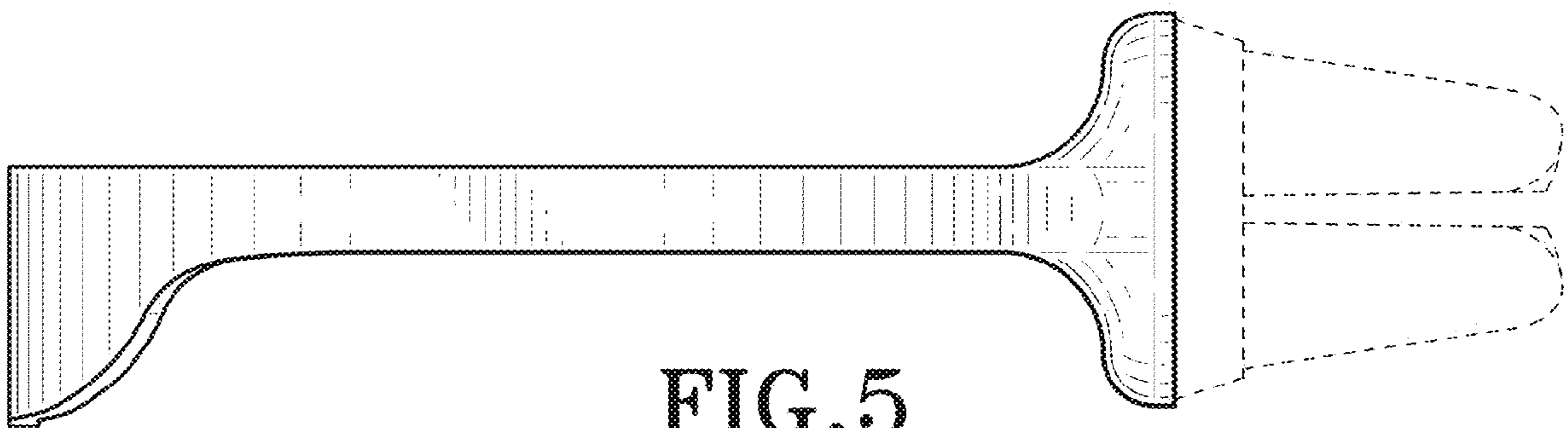


FIG. 5

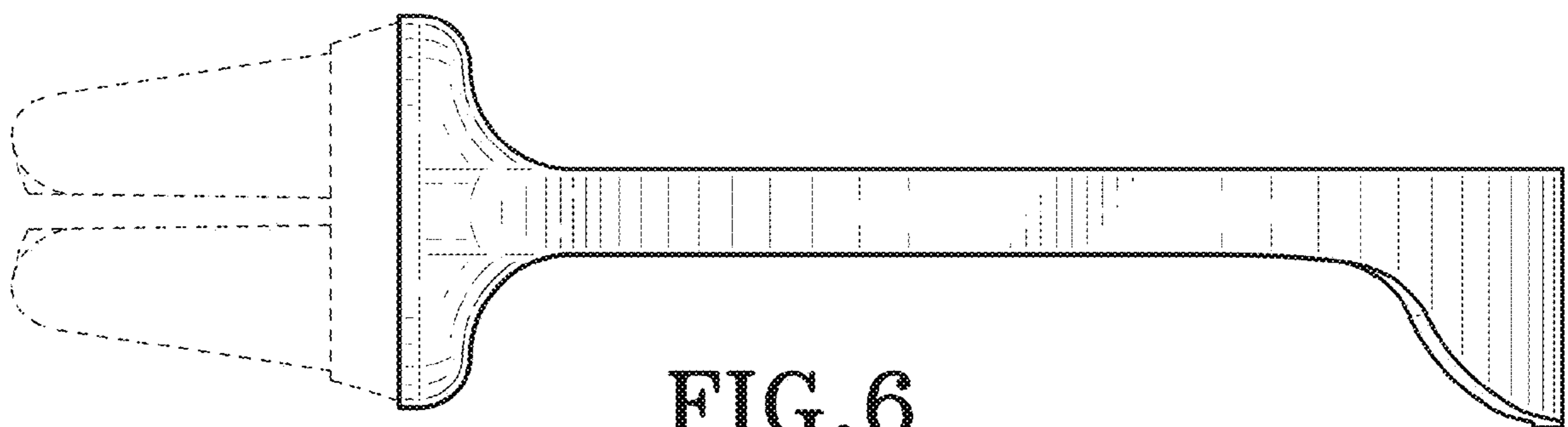


FIG. 6

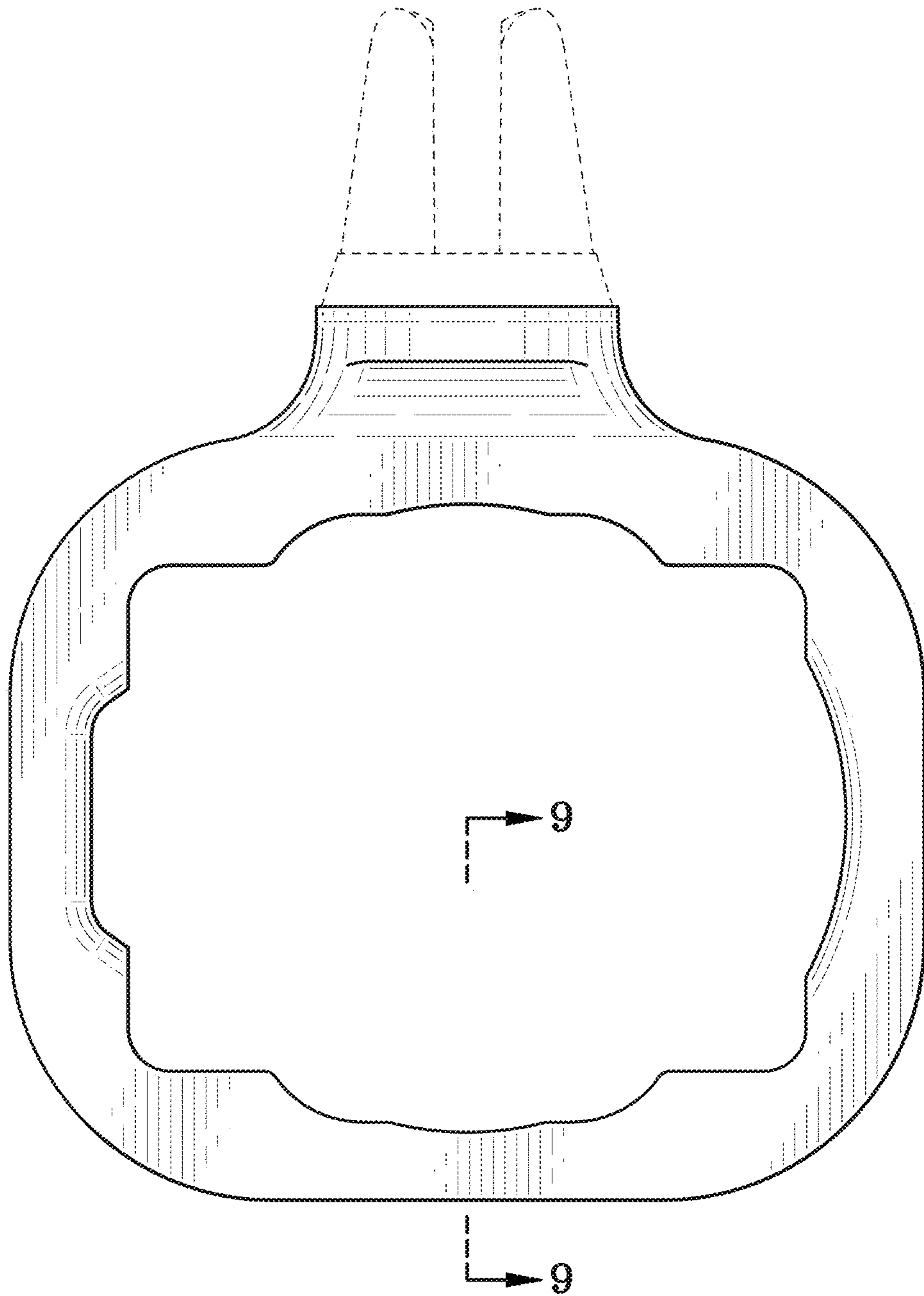


FIG. 7

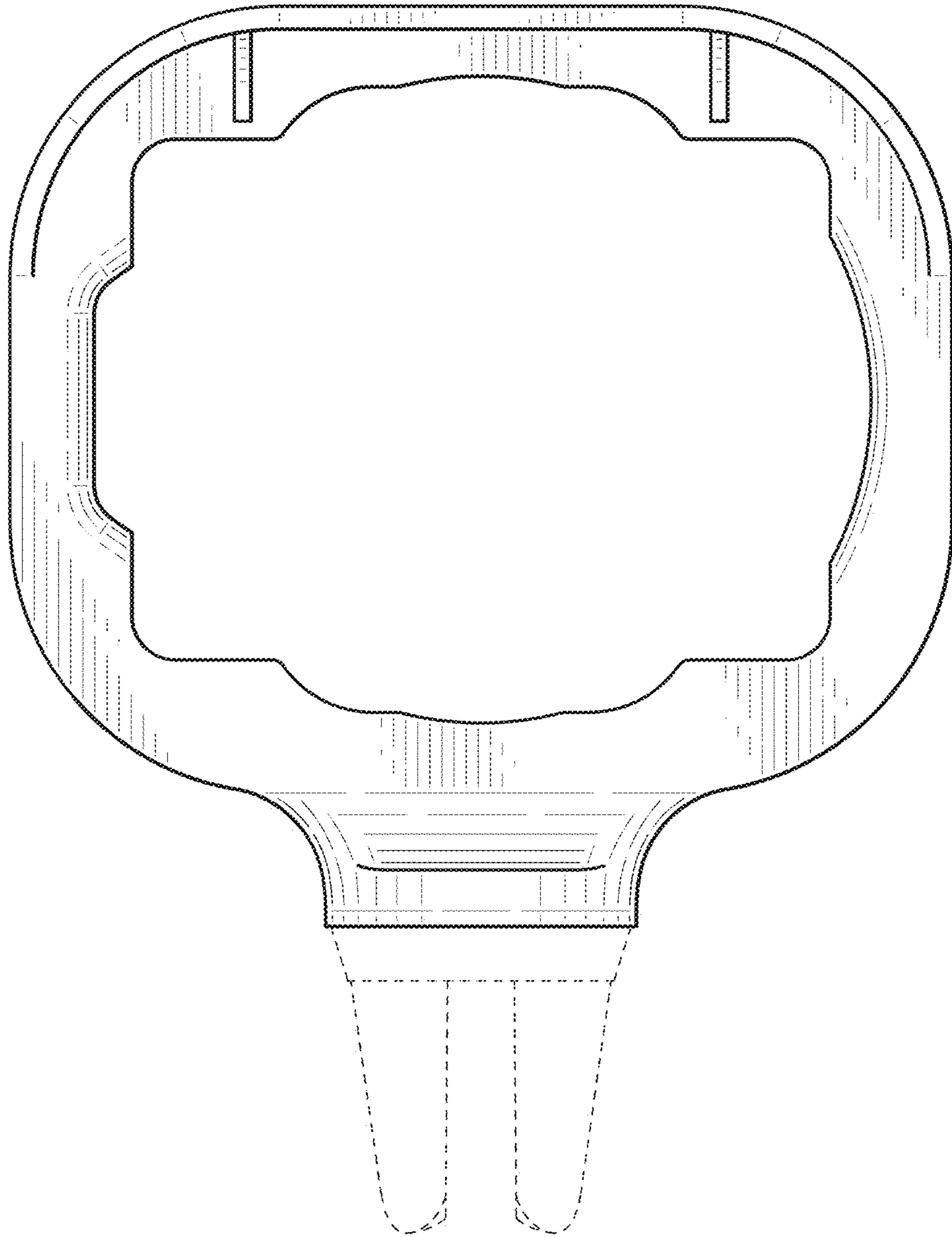


FIG. 8

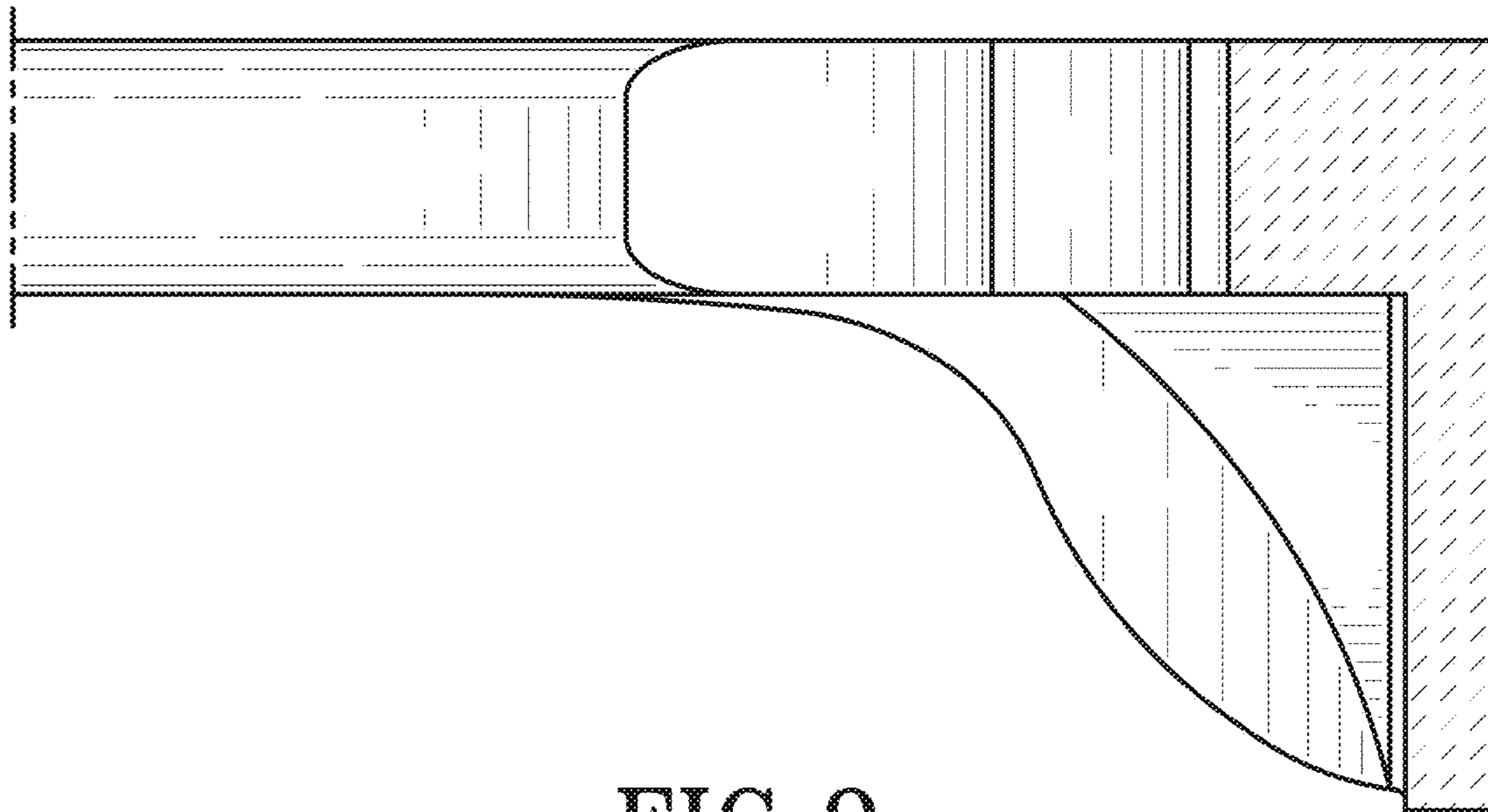


FIG. 9