



US00D960653S

(12) **United States Design Patent**  
**Moujaes et al.**

(10) **Patent No.:** **US D960,653 S**  
(45) **Date of Patent:** **\*\* Aug. 16, 2022**

- (54) **CONDIMENT HOLDER**
- (71) Applicant: **MILKMEN DESIGN, LLC**, Akron, OH (US)
- (72) Inventors: **William Moujaes**, Akron, OH (US);  
**Tony Lahood**, Hinckley, OH (US);  
**Michael Koury**, Medina, OH (US)
- (73) Assignee: **MILKMEN DESIGN, LLC**, Akron, OH (US)
- (\*\*) Term: **15 Years**
- (21) Appl. No.: **29/749,156**
- (22) Filed: **Sep. 3, 2020**

**Related U.S. Application Data**

- (63) Continuation-in-part of application No. 16/299,677, filed on Mar. 12, 2019, now Pat. No. 10,967,776, and a continuation-in-part of application No. 29/683,229, filed on Mar. 12, 2019, now Pat. No. Des. 899,196.
- (60) Provisional application No. 62/642,306, filed on Mar. 13, 2018.
- (51) **LOC (13) Cl.** ..... **07-06**
- (52) **U.S. Cl.**  
USPC ..... **D7/601; D7/620**
- (58) **Field of Classification Search**  
USPC ..... D7/620, 601; D12/419, 420  
CPC ..... B60N 3/103; B60N 3/107; B60N 3/108;  
B60N 3/10; B60N 3/18; B60R 7/06;  
B60R 7/08; B60R 7/00; B60R 2011/0059;  
B60R 2011/0008; B60R 2011/0042;  
B60R 11/00; A47G 23/00  
See application file for complete search history.

(56) **References Cited**

**U.S. PATENT DOCUMENTS**

- 4,339,033 A 7/1982 Cillario
- 4,854,466 A 8/1989 Lane, Jr.

- 5,108,059 A 4/1992 Curtis
- D371,735 S \* 7/1996 Motta ..... D6/535
- 5,667,119 A 9/1997 Florence
- 5,702,041 A 12/1997 Sun et al.
- 5,979,724 A 11/1999 Loewenthal, Jr. et al.
- 6,152,302 A 11/2000 Miller et al.
- 6,189,489 B1 2/2001 Pearce
- 6,193,201 B1 \* 2/2001 Babcock ..... B65D 5/44  
248/205.3

(Continued)

**OTHER PUBLICATIONS**

XxNiceThingsxX, Etsy.com, SauceBoss Dip Holder for Car | Dip Clip | McDonalds Dip Holder | Dip Clip UK | Sauce Boss | Hot Item!—UK Seller, [https://www.etsy.com/listing/560494888/sauceboss-dip-holder-for-car-dipclip?ga\\_order=most\\_relevant&ga\\_search\\_type=all&ga\\_view\\_type=gallery&ga\\_search\\_query=dipclip&ref=sr\\_gallery\\_1](https://www.etsy.com/listing/560494888/sauceboss-dip-holder-for-car-dipclip?ga_order=most_relevant&ga_search_type=all&ga_view_type=gallery&ga_search_query=dipclip&ref=sr_gallery_1), publication was accessible on Nov. 28, 2017, 4 pages.

(Continued)

*Primary Examiner* — Terry A Wallace

(74) *Attorney, Agent, or Firm* — Sand, Sebolt & Wernow Co., LPA

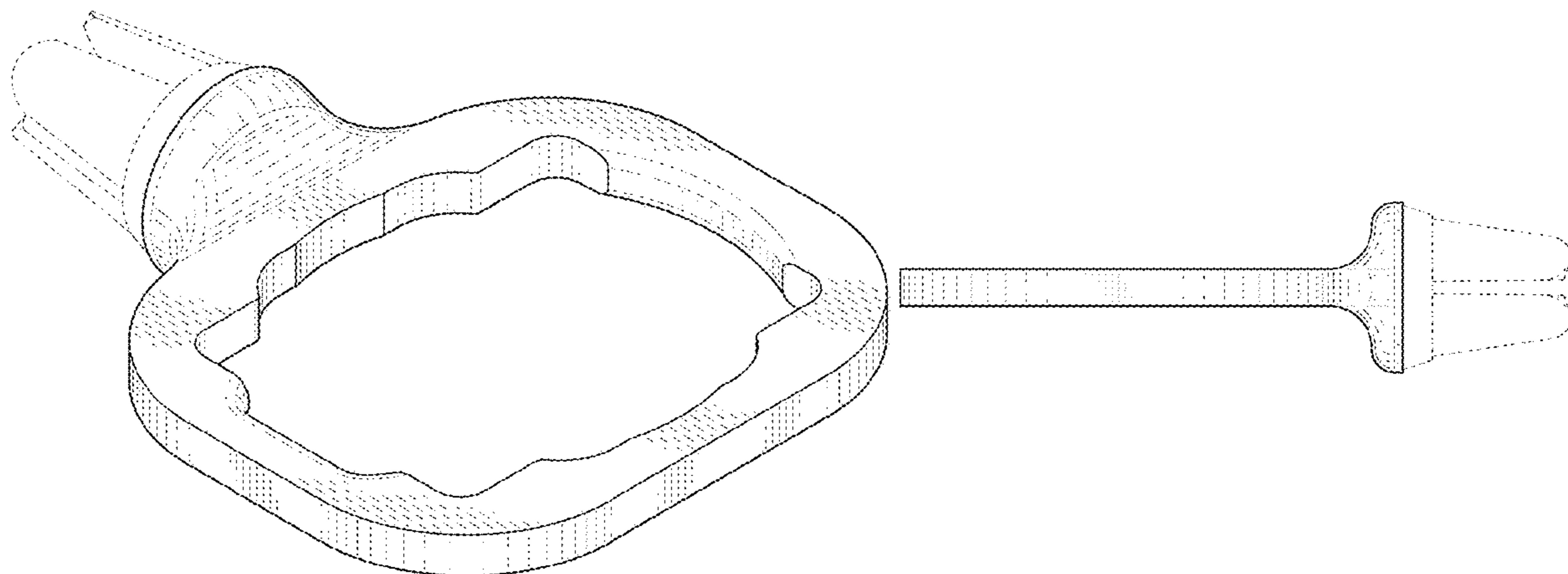
(57) **CLAIM**

The ornamental design for a condiment holder, as shown and described.

**DESCRIPTION**

FIG. 1 is a front, top, left side, isometric perspective view of a condiment holder in accordance with our design; FIG. 2 is a rear, top, left side, isometric perspective view thereof; FIG. 3 is a front elevation view thereof; FIG. 4 is a rear elevation view thereof; FIG. 5 is a right side elevation view thereof; FIG. 6 is a left side elevation view thereof; FIG. 7 is a top plan view thereof; and, FIG. 8 is a bottom plan view thereof. The broken lines illustrate portions of the condiment holder which form no part of the claimed design.

**1 Claim, 5 Drawing Sheets**



(56)

References Cited

U.S. PATENT DOCUMENTS

6,196,434	B1	3/2001	Angran et al.	
D447,012	S *	8/2001	Owens .....	D7/620
6,364,112	B1	4/2002	Pitschka	
6,682,034	B1 *	1/2004	Vial .....	A47G 19/04 248/311.2
8,109,235	B2	4/2012	Lipscomb et al.	
8,459,481	B2	6/2013	Arkin	
D690,707	S	10/2013	Minn et al.	
D696,074	S *	12/2013	Shamoon .....	D7/584
D701,424	S *	3/2014	Shamoon .....	D7/505
9,199,584	B2	12/2015	Mango	
9,296,324	B2	3/2016	Mango	
D780,168	S	2/2017	Du	
9,567,136	B2 *	2/2017	Myoung .....	B65D 25/22
D783,593	S	4/2017	Chen	
D837,610	S *	1/2019	Maguire .....	D7/601
D899,196	S *	10/2020	Moujaes .....	D7/601
2010/0003375	A1	1/2010	Schecter	
2010/0065715	A1	3/2010	Fan	
2012/0138648	A1	6/2012	Moceo, II	
2013/0119103	A1	5/2013	Mango	
2013/0200124	A1 *	8/2013	Burwinkel .....	B60N 3/103 224/545
2014/0021233	A1 *	1/2014	Strole .....	B60N 3/10 224/545
2014/0103087	A1	4/2014	Fan	
2014/0138418	A1	5/2014	Dunn	
2014/0138419	A1 *	5/2014	Minn .....	F16B 2/065 224/567
2014/0183238	A1	7/2014	Lin	
2014/0326768	A1 *	11/2014	Mango .....	B60N 3/103 224/542
2015/0217697	A1 *	8/2015	Peters .....	B60R 7/06 224/483
2015/0366388	A1 *	12/2015	Goldstein .....	B65D 67/02 220/737
2017/0136960	A1	5/2017	Kim	
2019/0283646	A1	9/2019	Koury et al.	

OTHER PUBLICATIONS

ImproperEngineering, Etsy.com, Sauce Buddy Dip Clip Adjustable The Original || Car Vent Holder Car Vent Sauce Holder Car Vent Clip Air Vent Sauce Holder DipClip, [https://www.etsy.com/listing/573887405/sauce-buddy-dip-clip-the-original-sauce?ga\\_order=most\\_relevant&ga\\_search\\_type=all&ga\\_view\\_type=gallery&ga\\_search\\_query=dipclip&ref=sr\\_gallery\\_2](https://www.etsy.com/listing/573887405/sauce-buddy-dip-clip-the-original-sauce?ga_order=most_relevant&ga_search_type=all&ga_view_type=gallery&ga_search_query=dipclip&ref=sr_gallery_2), publication was accessible on Nov. 28, 2017, 4 pages.

PrintinTime3D, Etsy.com, Little Dipper || Dip Clip || Sauce Holder || Car Accessories || Dipclip || Car Vent Holder, [https://www.etsy.com/listing/575082339/little-dipper-dip-clip-sauce-holder-car?ga\\_order=most\\_relevant&ga\\_search\\_type=all&ga\\_view\\_type=gallery&ga\\_search\\_query=dipclip&ref=sr\\_gallery\\_3](https://www.etsy.com/listing/575082339/little-dipper-dip-clip-sauce-holder-car?ga_order=most_relevant&ga_search_type=all&ga_view_type=gallery&ga_search_query=dipclip&ref=sr_gallery_3), publication was accessible Nov. 28, 2017, 3 pages.

Thingiverse, Car DipClip by darookee, <https://www.thingiverse.com/thing:2662748>, publication was accessible Nov. 28, 2017, 3 pages.

Thingiverse, Car DipClip, Sauce holder for a car, Clips into air vent Vo.02 by JuXas, <https://www.thingiverse.com/thing:2660990>, publication was accessible Nov. 28, 2017, 3 pages.

12 WBOY.com, 'Fast Food Buddy' Invention Makes Eating On-the-Go Easier for Consumers, <http://www.wvalways.com/story/26388108/fast-food-buddy-invention-makes-eating-on-the-go-easier-for-consumers>. Posted August 27, 2014, 2 pages.

FFB, Amazon.com, Bright Red Fast Food Buddy Dipping Sauce and Cup Holder, <https://www.amazon.com/Bright-Buddy-Dipping-Sauce-Holder/dp/B01C9RPI4E>, May 5, 2016, 4 pages.

Prepworks Dip Clip Set (Set of 4), Assorted Colors, [https://www.walmart.com/ip/Prepworks-Dip-Clip-Set-Set-of-4-Assorted-Colors/28491881?wmlspartner=wlp&selectedSellerId=&adid=2222222227019047513&wl0=&wl1=g&wl2=c&wl3=52360689975&wl4=pla-79465779735&wl5=9015314&wl6=&wl7=&wl8=&wl9=pla\\_with\\_promotion&wl10=8175035&wl11=online&wl12=28491881&wl13=&veh=sem](https://www.walmart.com/ip/Prepworks-Dip-Clip-Set-Set-of-4-Assorted-Colors/28491881?wmlspartner=wlp&selectedSellerId=&adid=2222222227019047513&wl0=&wl1=g&wl2=c&wl3=52360689975&wl4=pla-79465779735&wl5=9015314&wl6=&wl7=&wl8=&wl9=pla_with_promotion&wl10=8175035&wl11=online&wl12=28491881&wl13=&veh=sem), publication was accessible Nov. 28, 2017, 4 pages.

\* cited by examiner



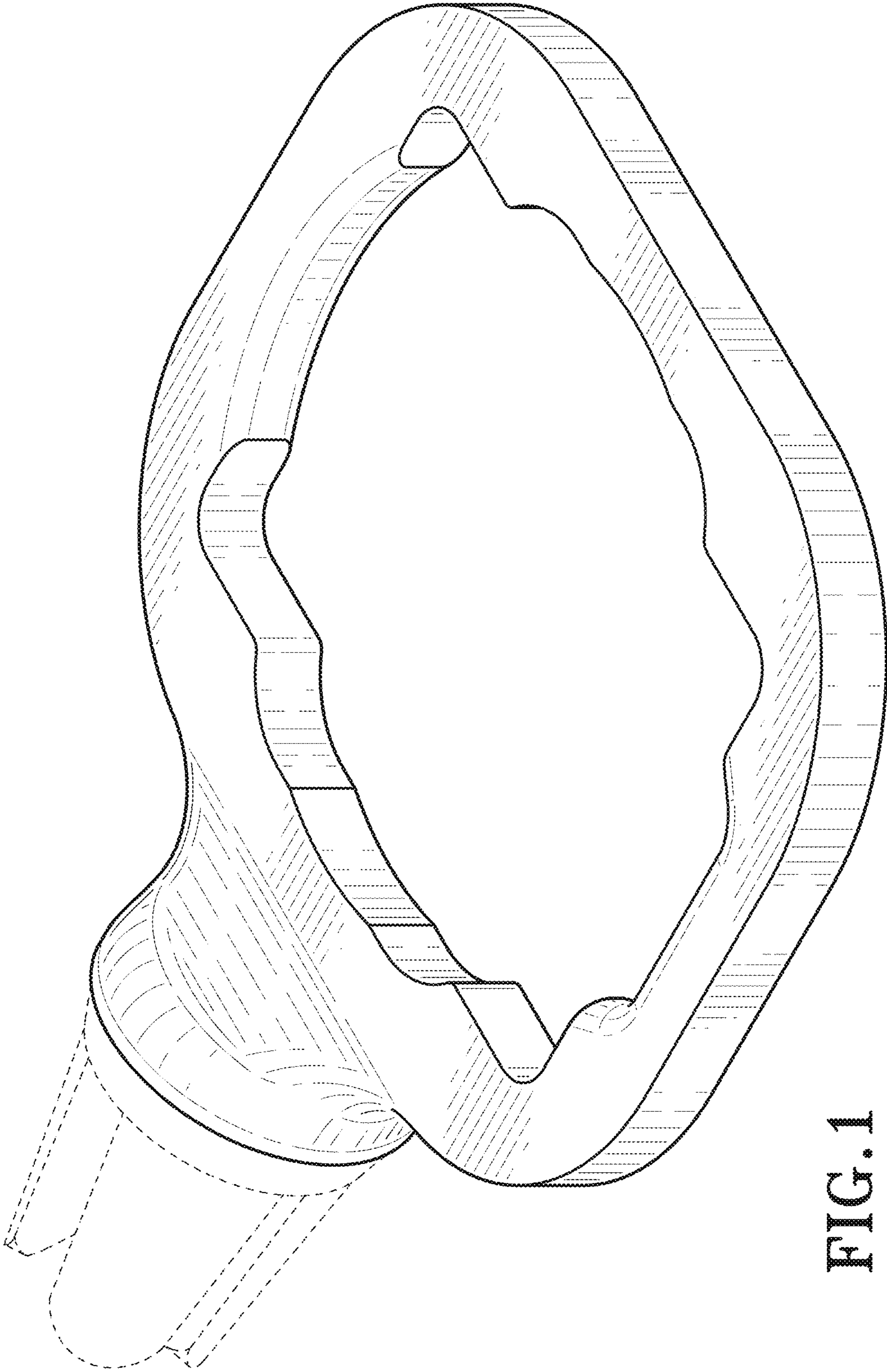


FIG. 1

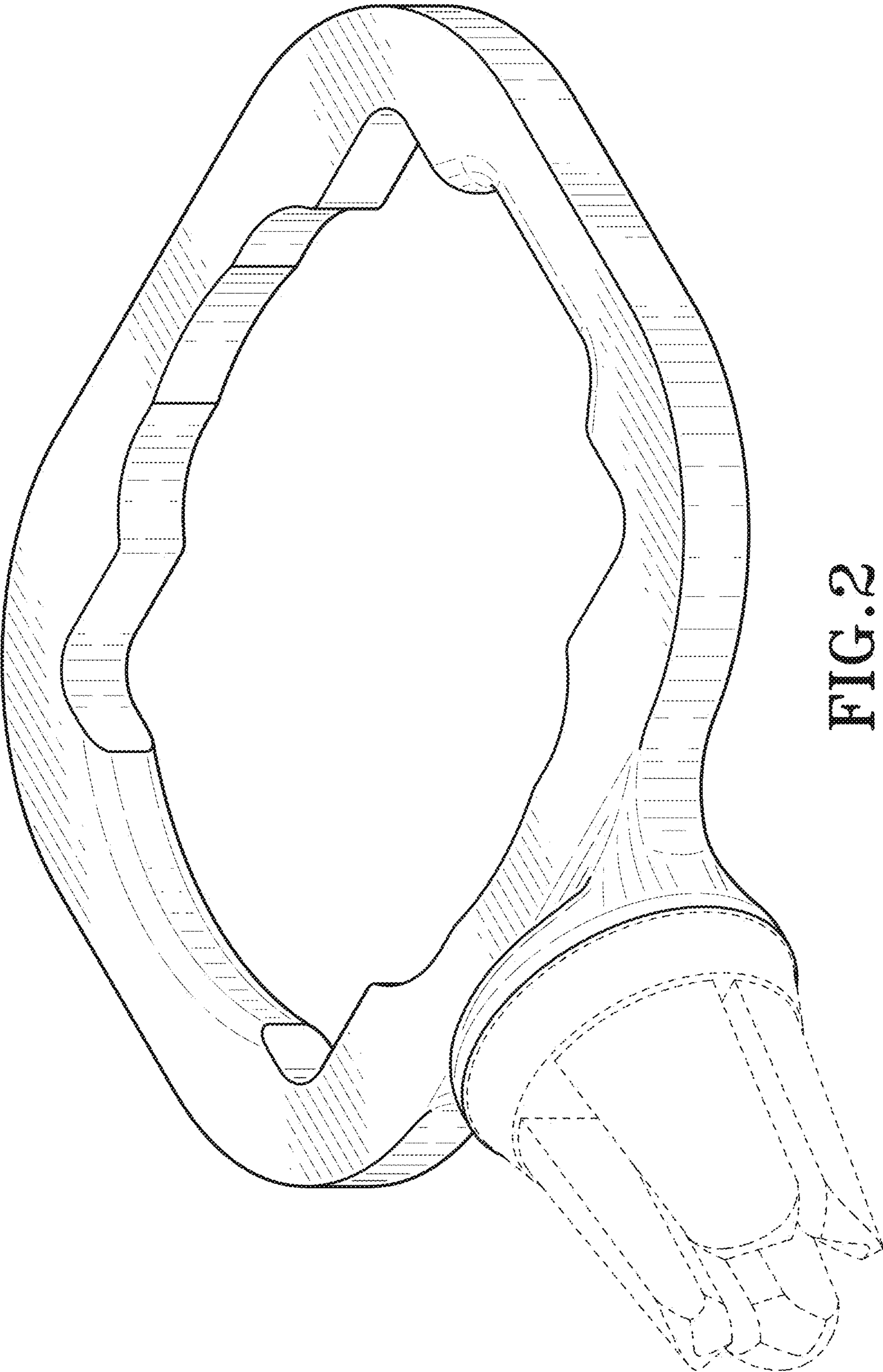


FIG. 2

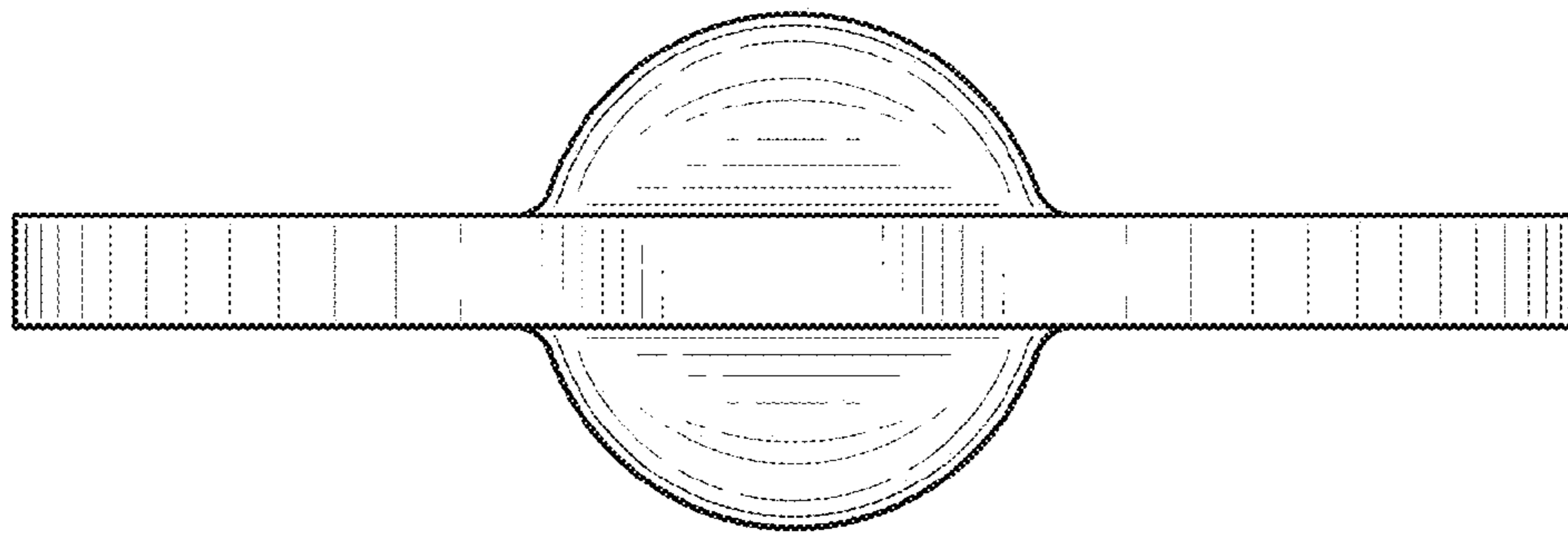


FIG. 3

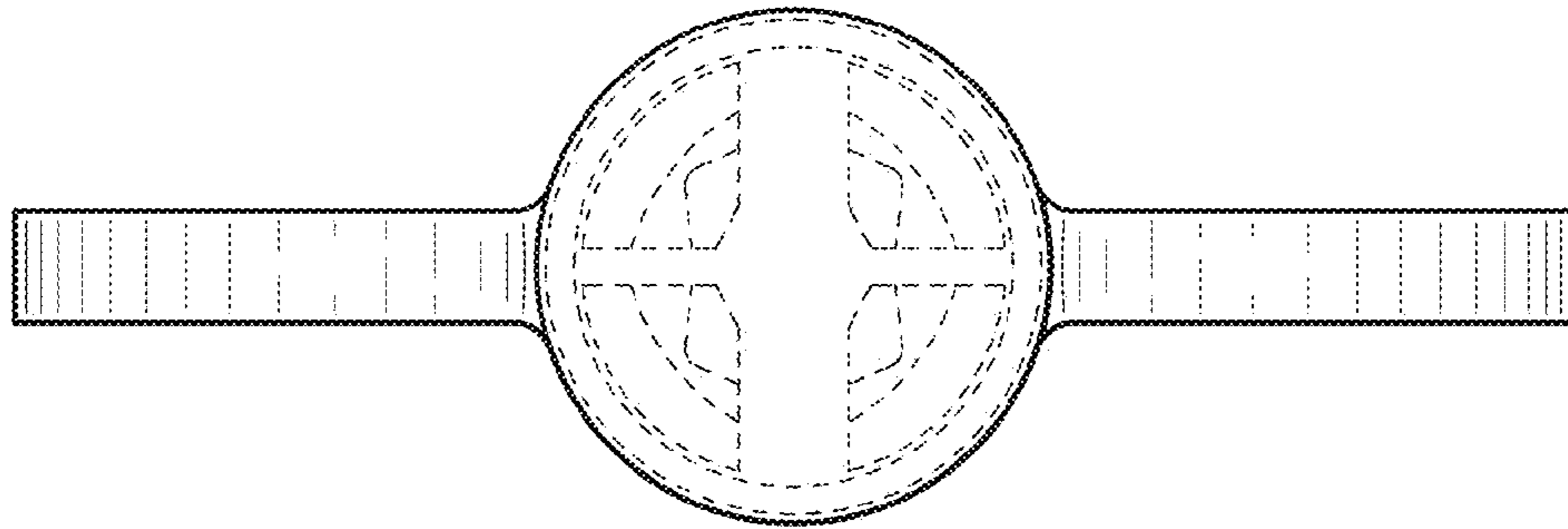


FIG. 4

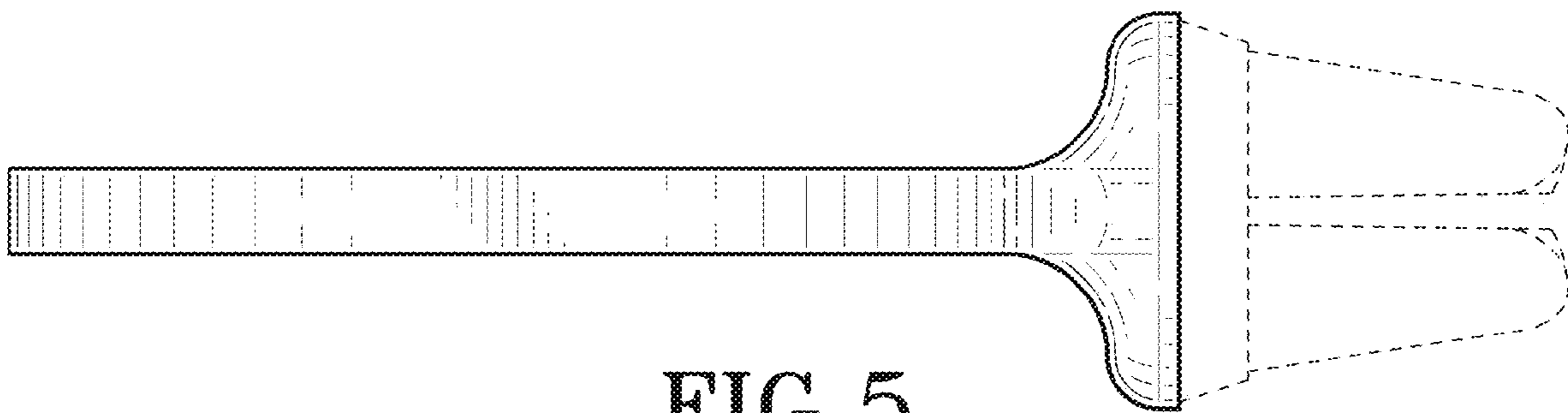


FIG. 5

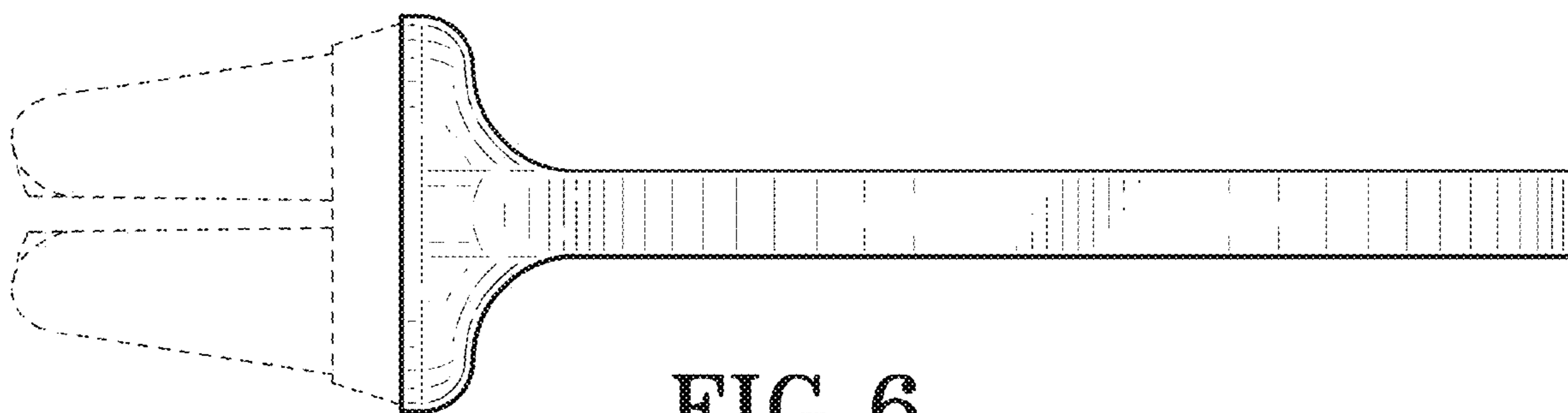


FIG. 6

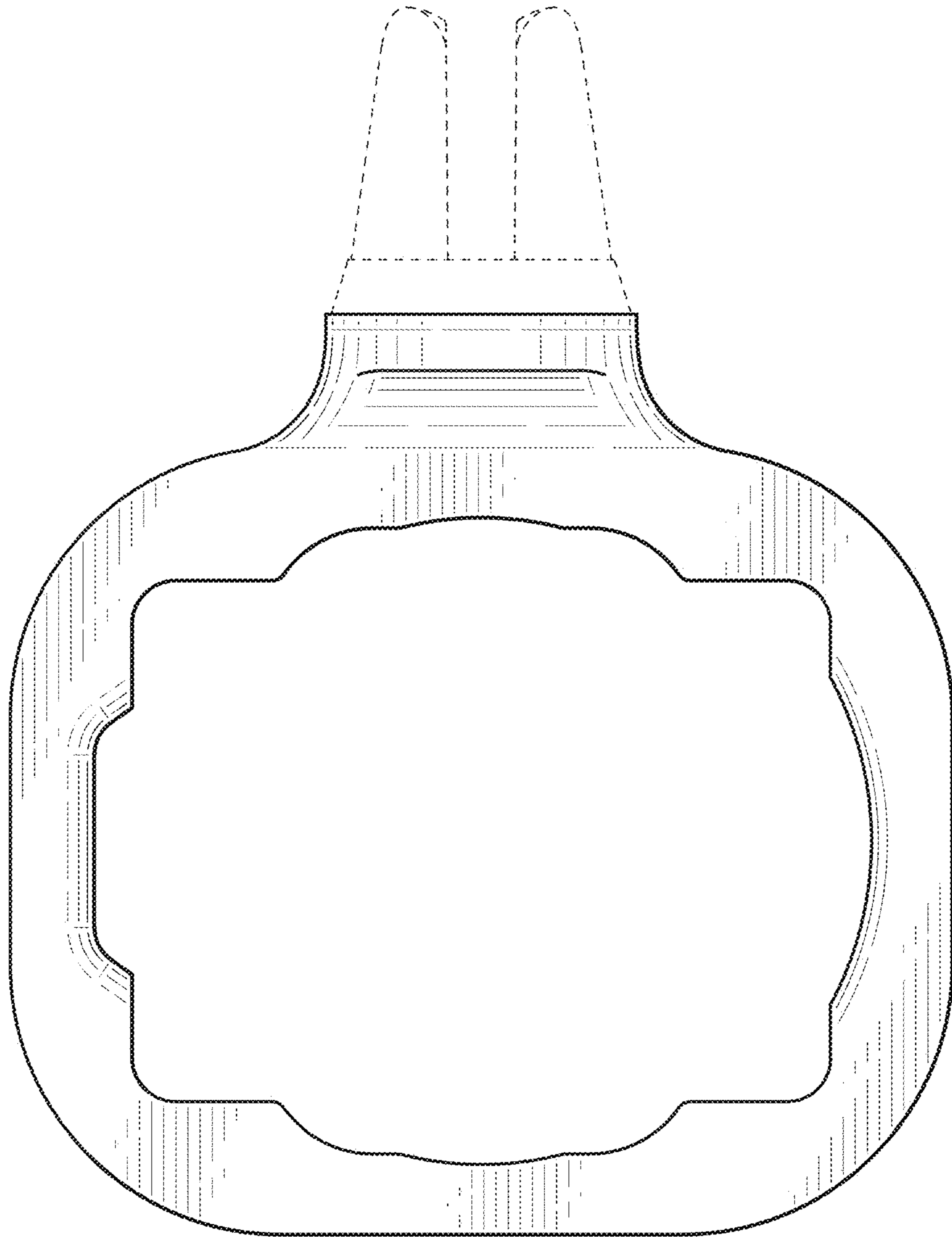


FIG. 7

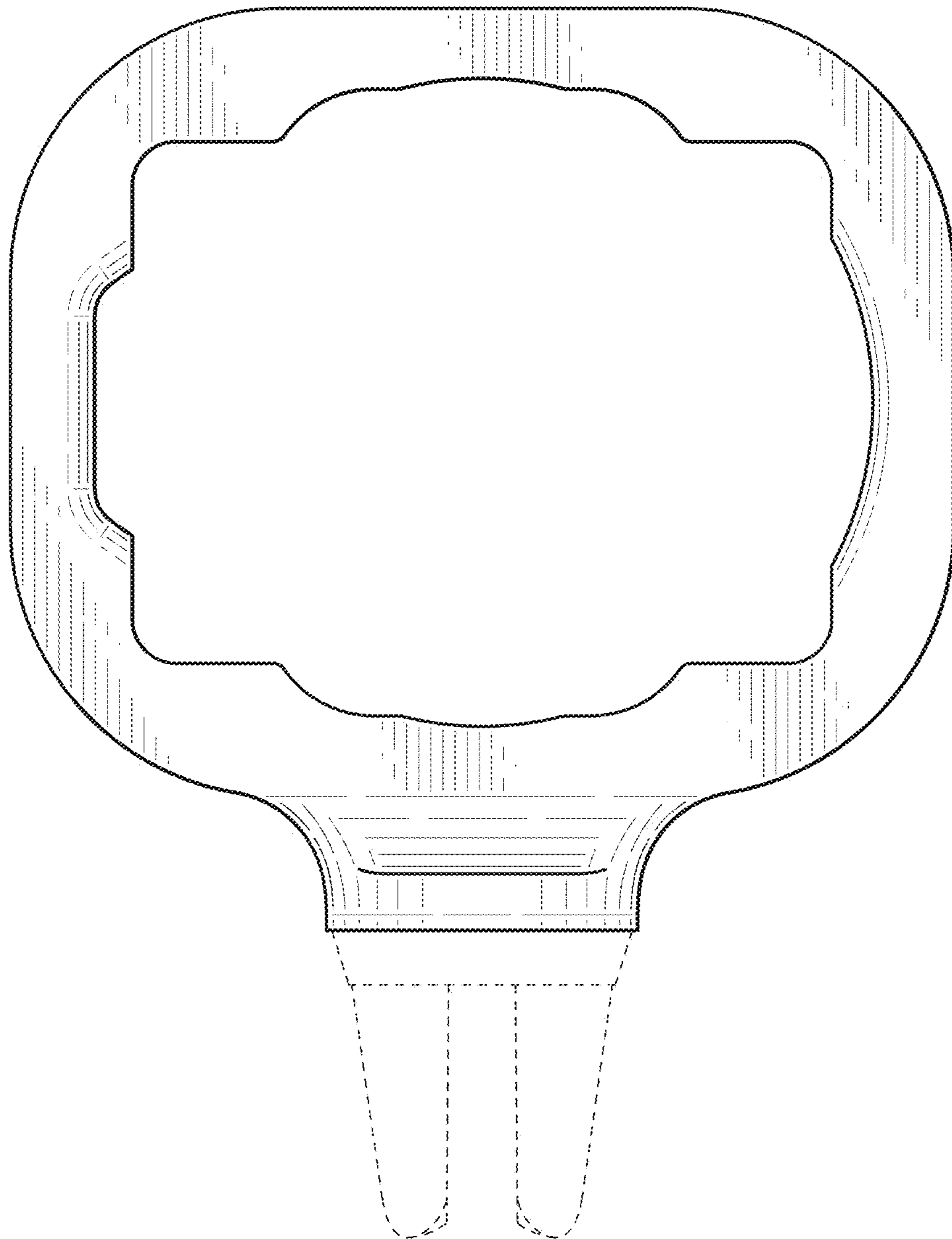


FIG. 8