



US00D960652S

(12) **United States Design Patent**
Luo et al.

(10) **Patent No.:** **US D960,652 S**
(45) **Date of Patent:** **** Aug. 16, 2022**

- (54) **CONFECTIONERY DISPENSER**
- (71) Applicant: **WM. WRIGLEY JR. COMPANY,**
Chicago, IL (US)
- (72) Inventors: **Qishan Luo,** Guangzhou (CN); **Han Xiong,** Guangzhou (CN); **Lina Su,** Guangzhou (CN)
- (73) Assignee: **WM. WRIGLEY JR. COMPANY,**
Chicago, IL (US)
- (**) Term: **15 Years**
- (21) Appl. No.: **29/699,428**
- (22) Filed: **Jul. 25, 2019**
- (51) **LOC (13) Cl.** **07-07**
- (52) **U.S. Cl.**
USPC **D7/589**
- (58) **Field of Classification Search**
USPC D7/590, 601, 602, 669, 401.1, 213;
D9/544, 545, 549, 737, 738, 690
CPC B65D 1/04; B65D 1/10; B65D 1/0223
See application file for complete search history.

- D449,532 S * 10/2001 Modjeski D9/500
- D576,880 S * 9/2008 Couey D9/503
- D611,296 S * 3/2010 Ingman D7/392.1
- D658,994 S * 5/2012 Ritzenhoff D9/500
- D659,537 S * 5/2012 Ritzenhoff D9/500
- D680,858 S * 4/2013 Clark D9/414

* cited by examiner

Primary Examiner — Andrew Kerr

- (56) **References Cited**
U.S. PATENT DOCUMENTS
5,277,324 A * 1/1994 Cash B65D 23/065
215/275
D449,516 S * 10/2001 Modjeski D9/503

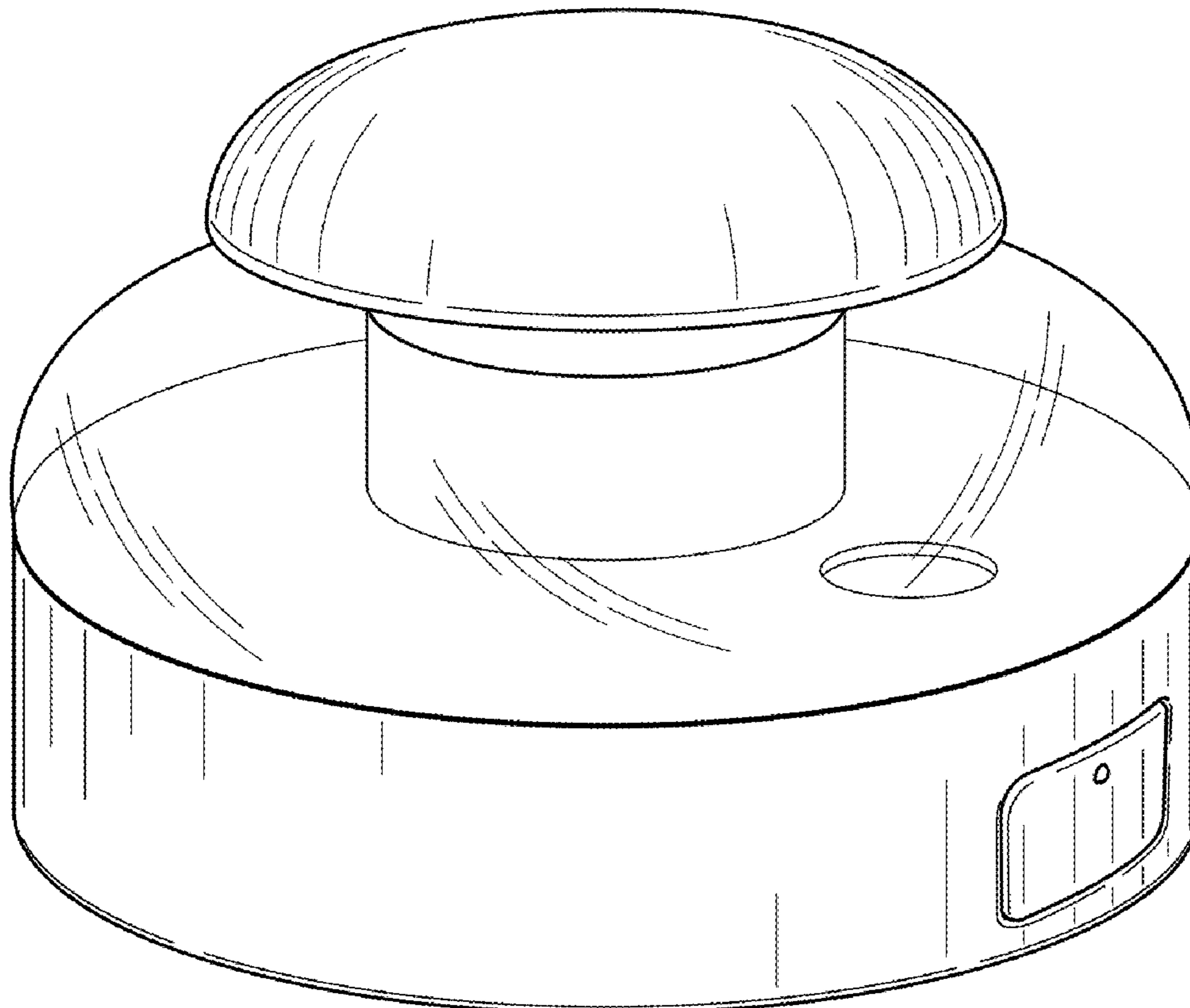
(57) **CLAIM**

The ornamental design for a confectionery dispenser, as shown and described.

DESCRIPTION

FIG. 1 is a perspective view of a confectionery dispenser, showing our new design;
 FIG. 2 is a front elevation view thereof;
 FIG. 3 is a back elevation view thereof;
 FIG. 4 is a right side elevation view thereof;
 FIG. 5 is a left side elevation view thereof;
 FIG. 6 is a top view thereof; and,
 FIG. 7 is a perspective view thereof, in use condition.

1 Claim, 4 Drawing Sheets



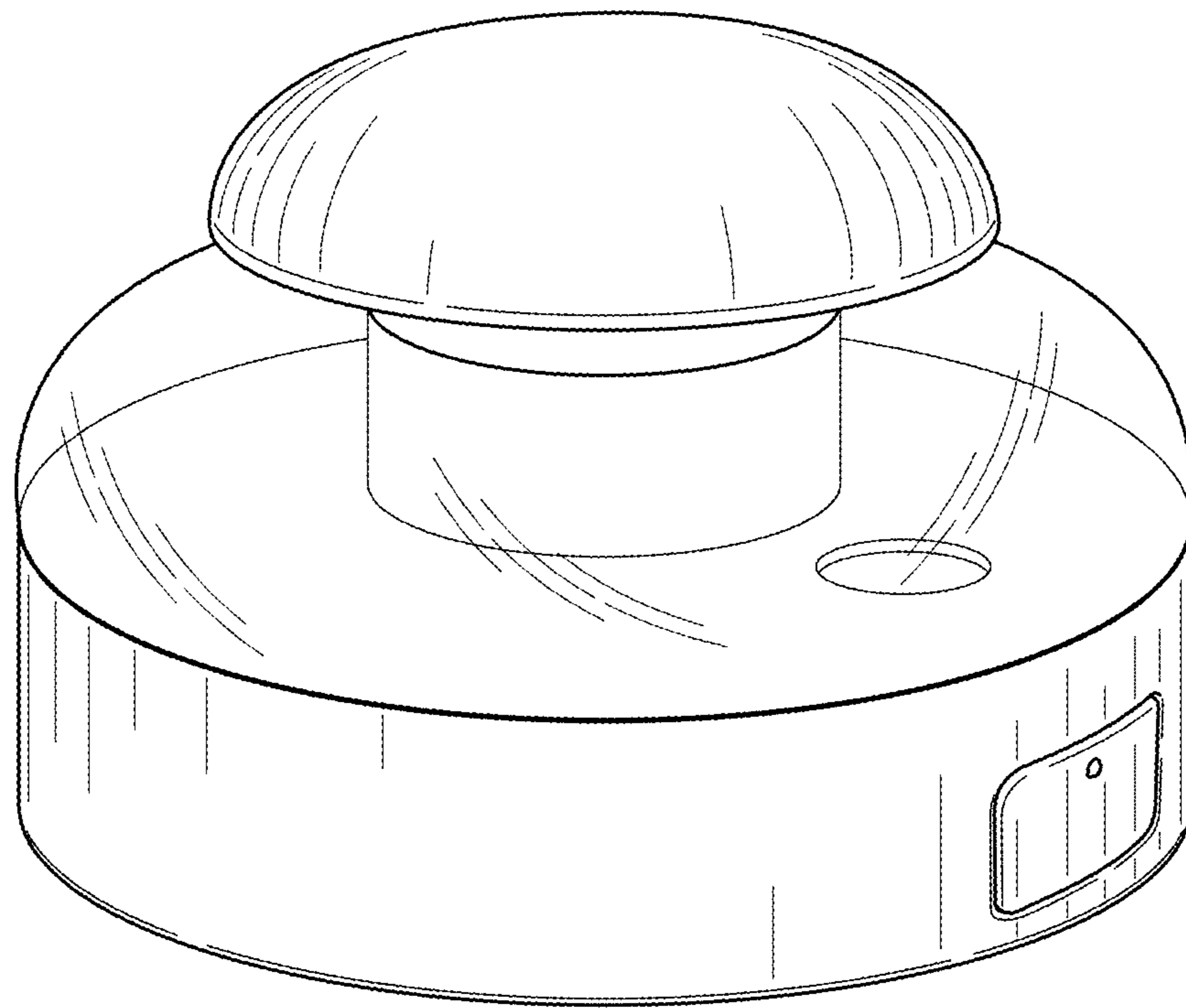


FIG. 1

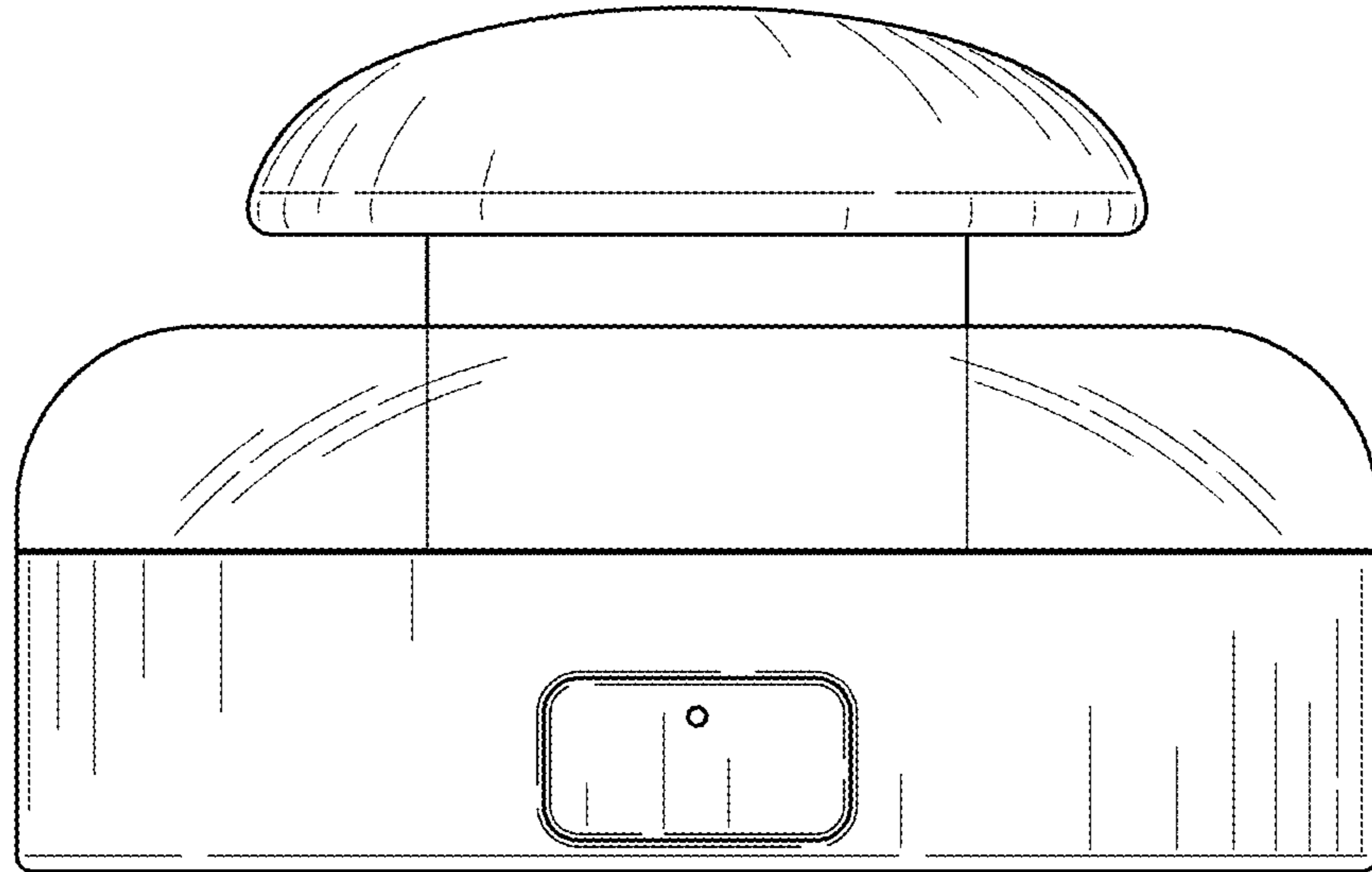


FIG. 2

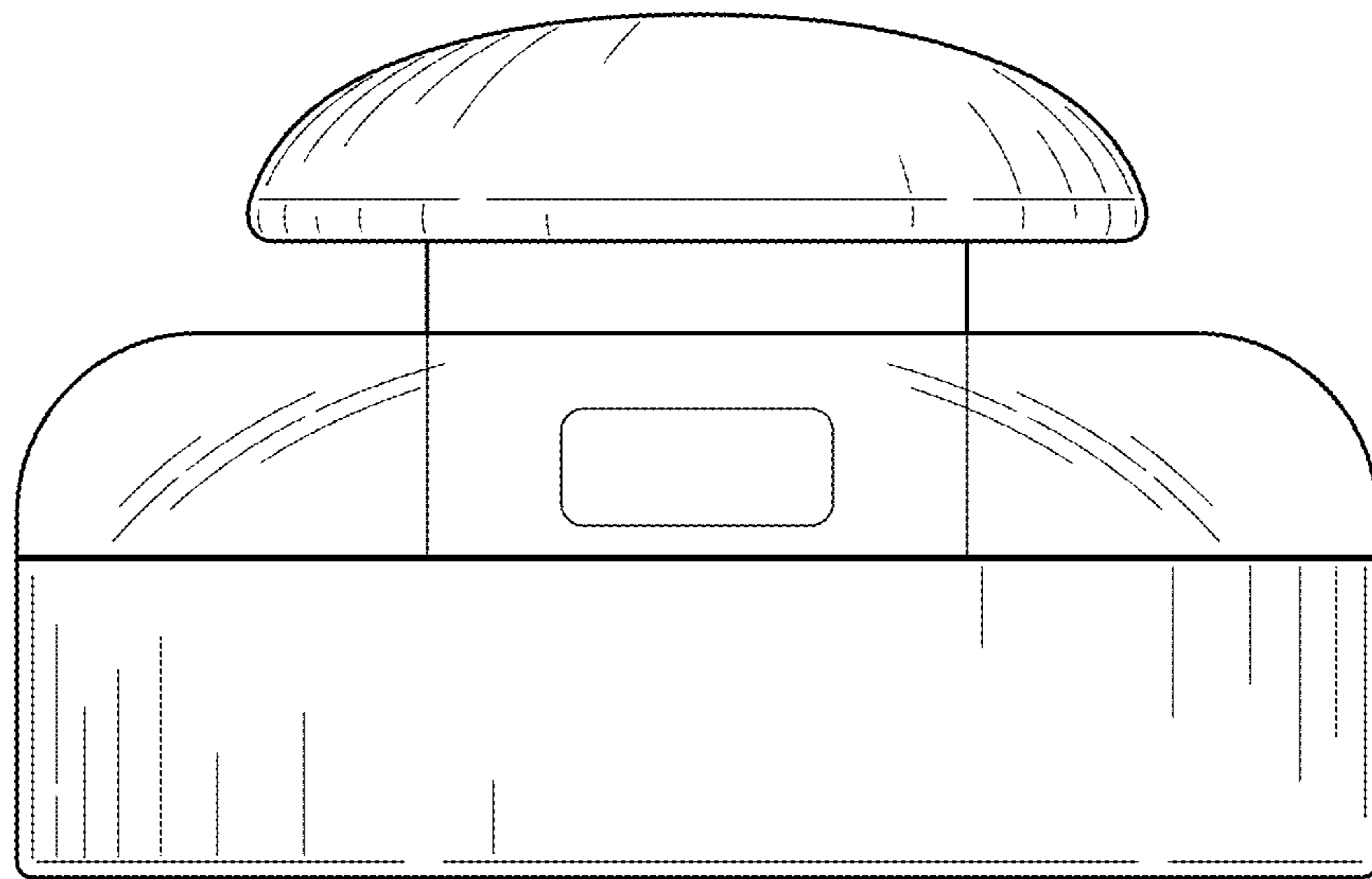


FIG. 3

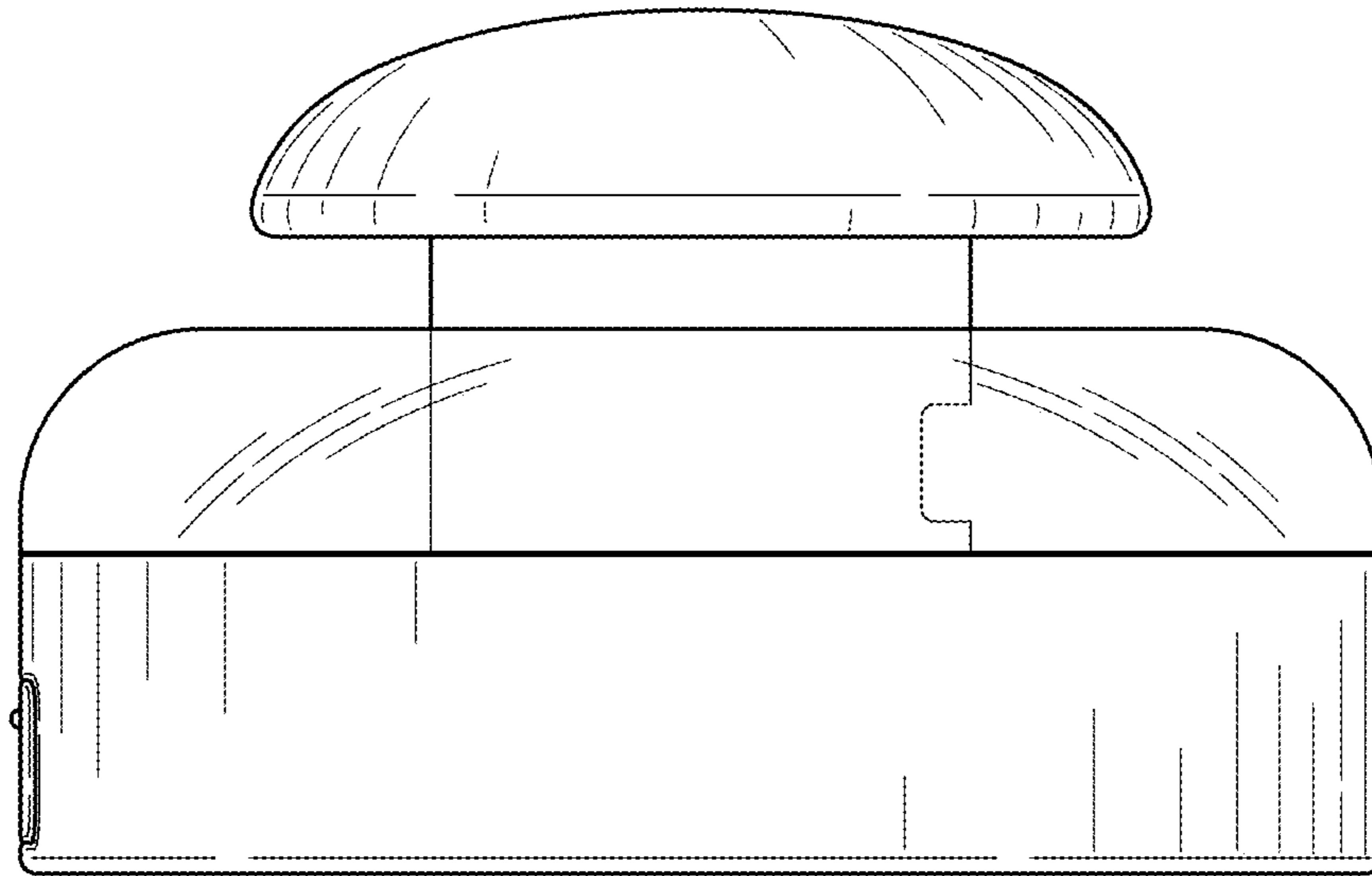


FIG. 4

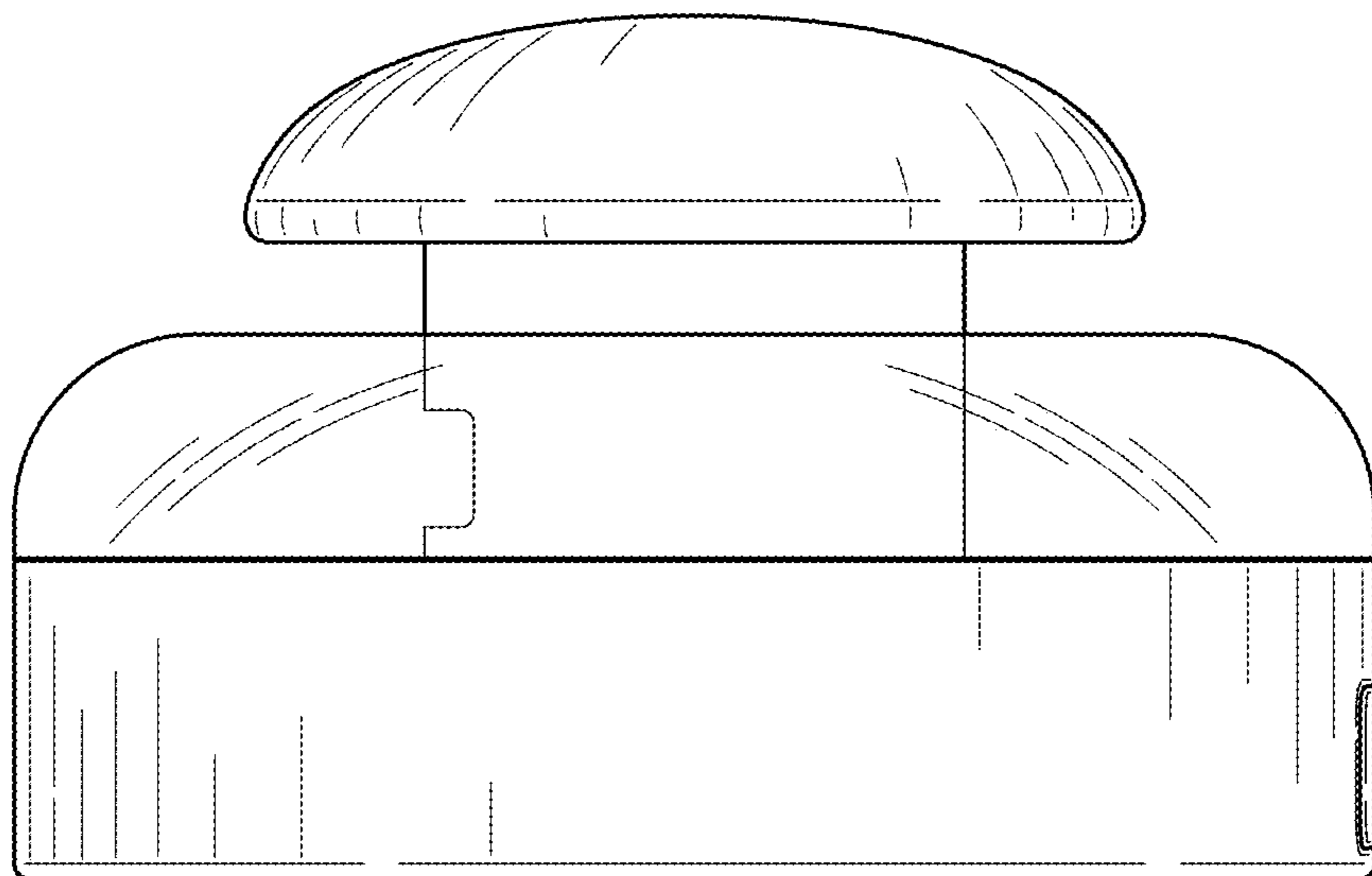


FIG. 5

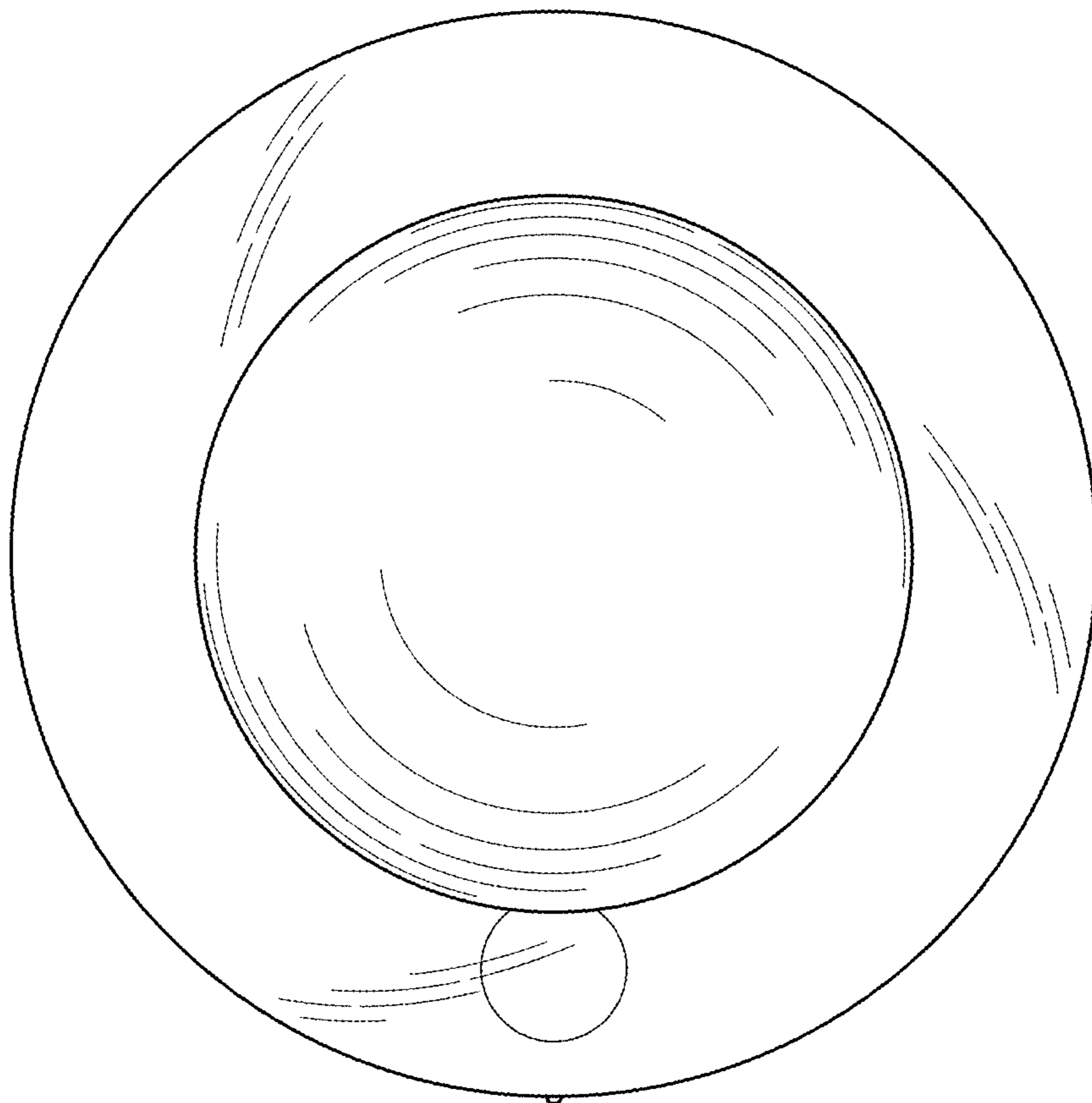


FIG. 6

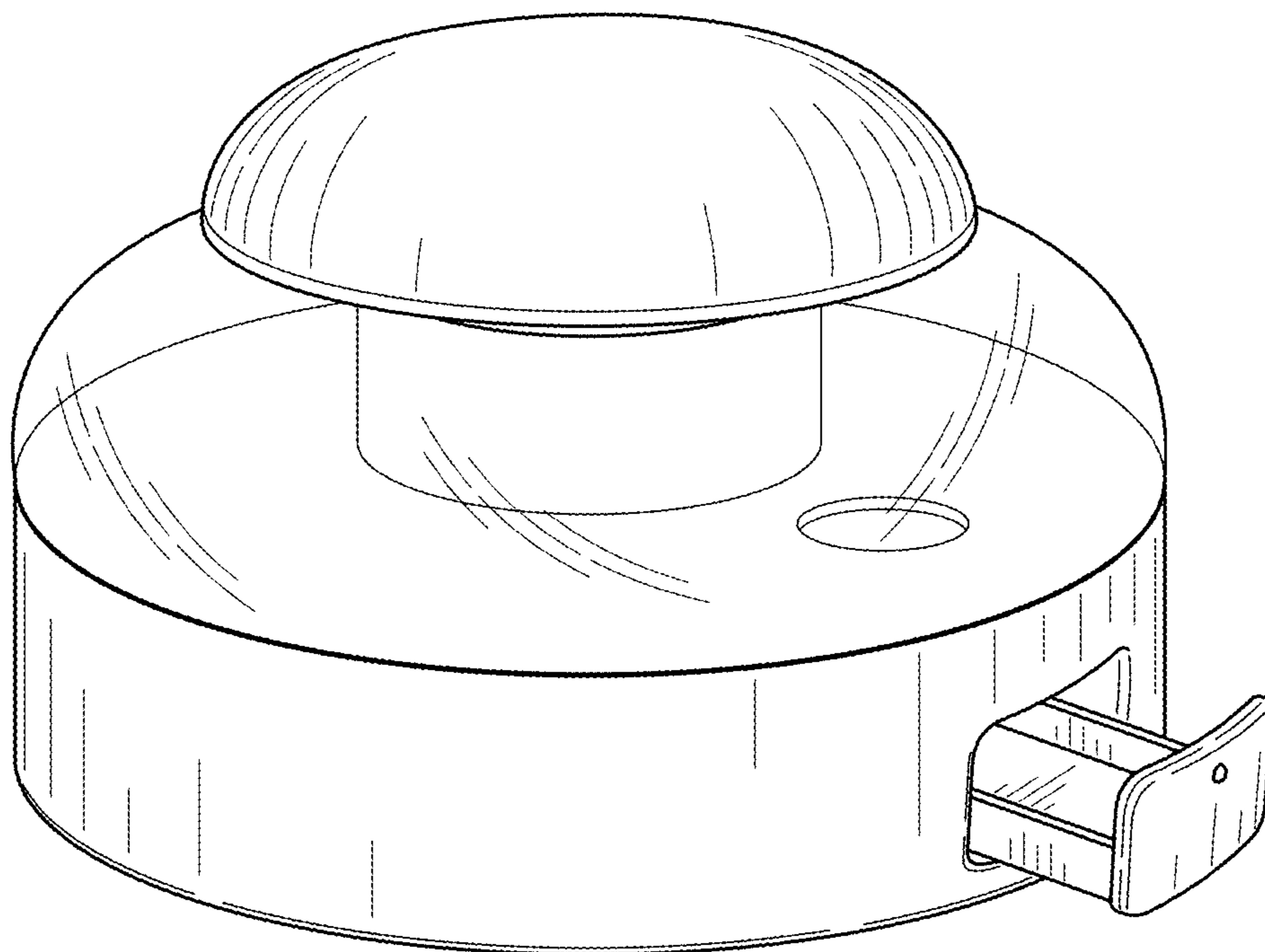


FIG. 7