



US00D960649S

(12) **United States Design Patent**  
**Ghiorghie**

(10) **Patent No.:** **US D960,649 S**

(45) **Date of Patent:** **\*\* Aug. 16, 2022**

- (54) **TRAY**
- (71) Applicant: **InterDesign, Inc.**, Solon, OH (US)
- (72) Inventor: **Radu Alexandru Ghiorghie**, Copley, OH (US)
- (73) Assignee: **InterDesign, Inc.**, Solon, OH (US)
- (\*\*) Term: **15 Years**

- D271,557 S \* 11/1983 Schwarzli ..... D7/363
- D400,404 S \* 11/1998 Indekeu ..... D3/304
- D402,850 S \* 12/1998 Davis ..... D9/425
- 6,010,005 A \* 1/2000 Reames ..... A47G 23/06  
D9/425
- D434,606 S \* 12/2000 Reames ..... D7/552.1
- D440,117 S \* 4/2001 Claffy ..... D7/553.2
- D489,575 S \* 5/2004 De Neubourg ..... D7/554.3

(Continued)

- (21) Appl. No.: **29/805,560**
- (22) Filed: **Aug. 27, 2021**

**Related U.S. Application Data**

- (60) Continuation of application No. 29/770,752, filed on Feb. 16, 2021, now Pat. No. Des. 929,147, which is a continuation of application No. 29/733,178, filed on Apr. 30, 2020, now Pat. No. Des. 912,985, which is a division of application No. 29/678,010, filed on Jan. 25, 2019, now Pat. No. Des. 902,594, which is a continuation of application No. 29/638,819, filed on Mar. 1, 2018, now Pat. No. Des. 842,606, which is a continuation of application No. 29/546,621, filed on Nov. 24, 2015, now Pat. No. Des. 811,768, which is a continuation of application No. 29/423,096, filed on May 29, 2012, now Pat. No. Des. 746,643.

- (51) **LOC (13) Cl.** ..... **07-01**
- (52) **U.S. Cl.**  
USPC ..... **D7/554.3**

- (58) **Field of Classification Search**  
USPC ..... D7/550.1, 552.2, 553.2, 553.5, 554.3,  
D7/601-602, 397, 401.1; D28/61, 73  
CPC ..... A47G 19/02; A47G 19/30; A47G 21/08;  
A47G 23/06; A47G 23/0608; B65D 1/34;  
B65D 1/00  
See application file for complete search history.

- (56) **References Cited**  
U.S. PATENT DOCUMENTS

- 3,682,365 A \* 8/1972 Reifers ..... B65D 1/34  
229/407
- D264,791 S \* 6/1982 Conti ..... D7/602

**OTHER PUBLICATIONS**

Amazon.com Nordic Ware Burger Serving Trays—2 Piece Set, Aluminum, Feb. 9, 2018, <https://www.amazon.com/Nordic-Ware-36570-Serving-Aluminum/dp/B079QGDH3G/> (Year: 2018).\*

*Primary Examiner* — Nathan M Johnston  
(74) *Attorney, Agent, or Firm* — Calfee, Halter & Griswold LLP

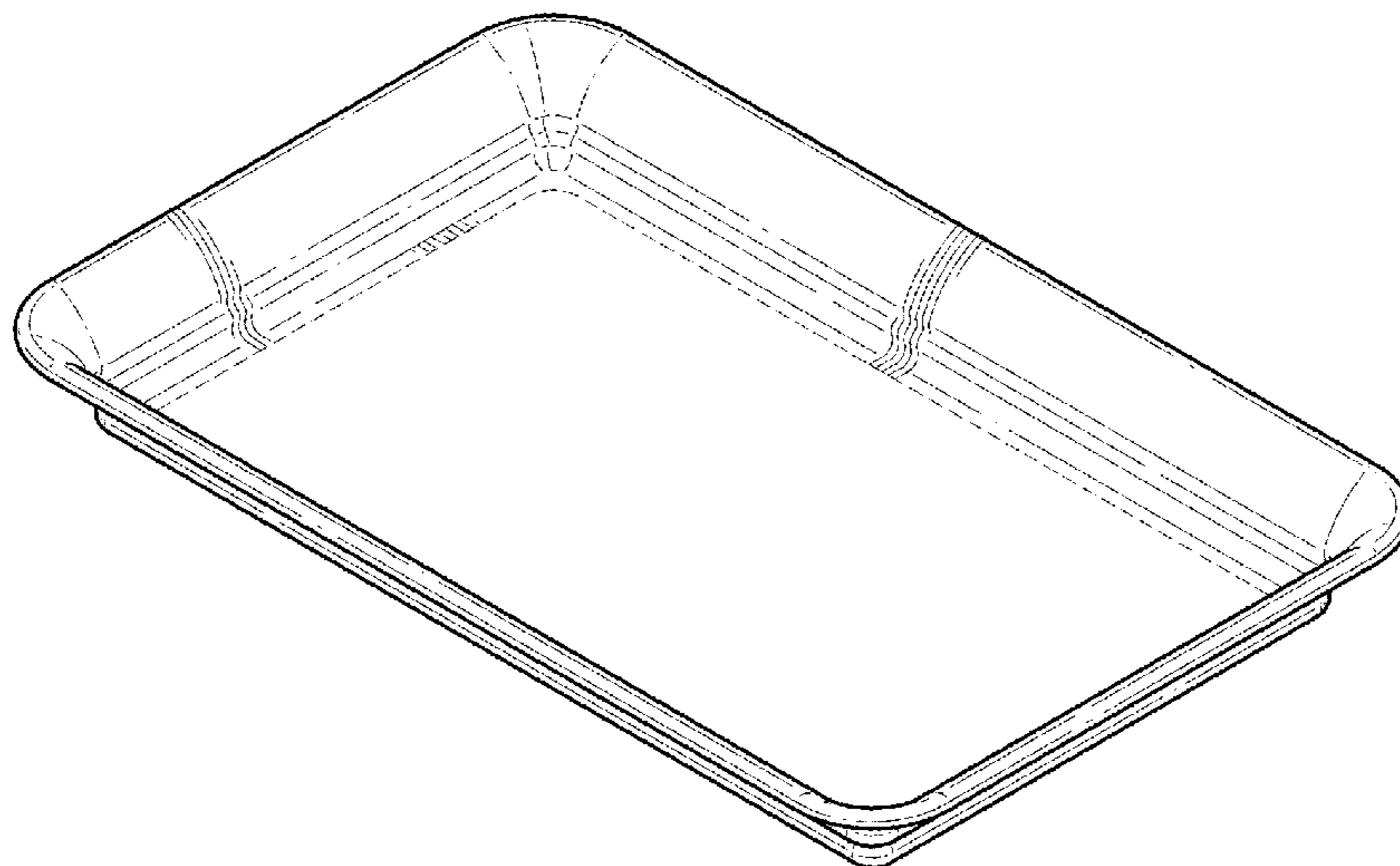
(57) **CLAIM**

I claim the ornamental design for a tray, as shown and described.

**DESCRIPTION**

FIG. 1 is a front/right/top perspective view of a holder (a front/left/top perspective view would be a mirror image thereof); FIG. 2 is a rear/left/bottom perspective view thereof (a rear/right/bottom perspective view would be a mirror image thereof); FIG. 3 is a front elevational view thereof; FIG. 4 is a left side elevational view thereof; FIG. 5 is a top plan view thereof; and, FIG. 6 is a bottom plan view thereof. The broken lines show portions of the tray that form no part of the claimed design.

**1 Claim, 4 Drawing Sheets**



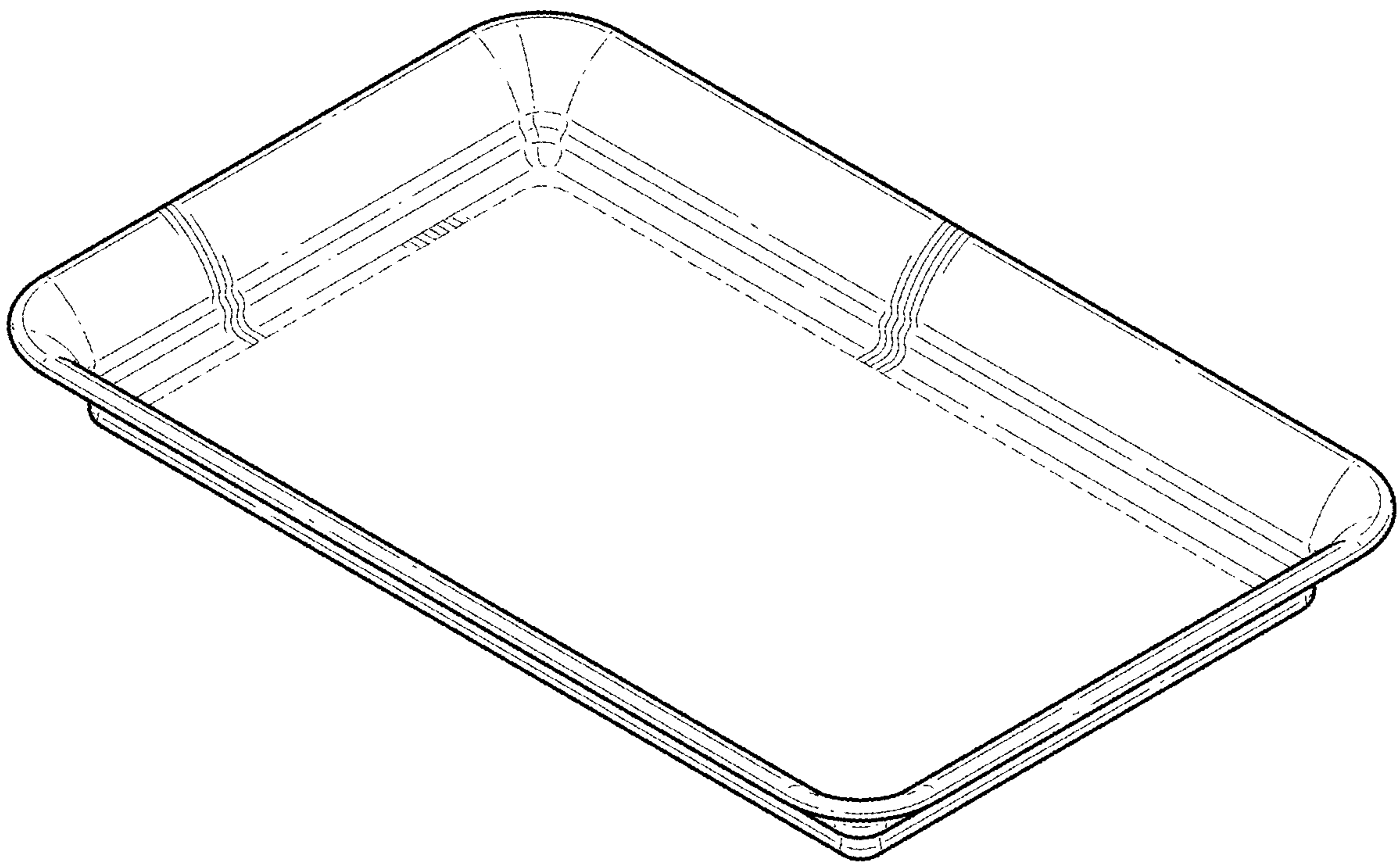
(56)

**References Cited**

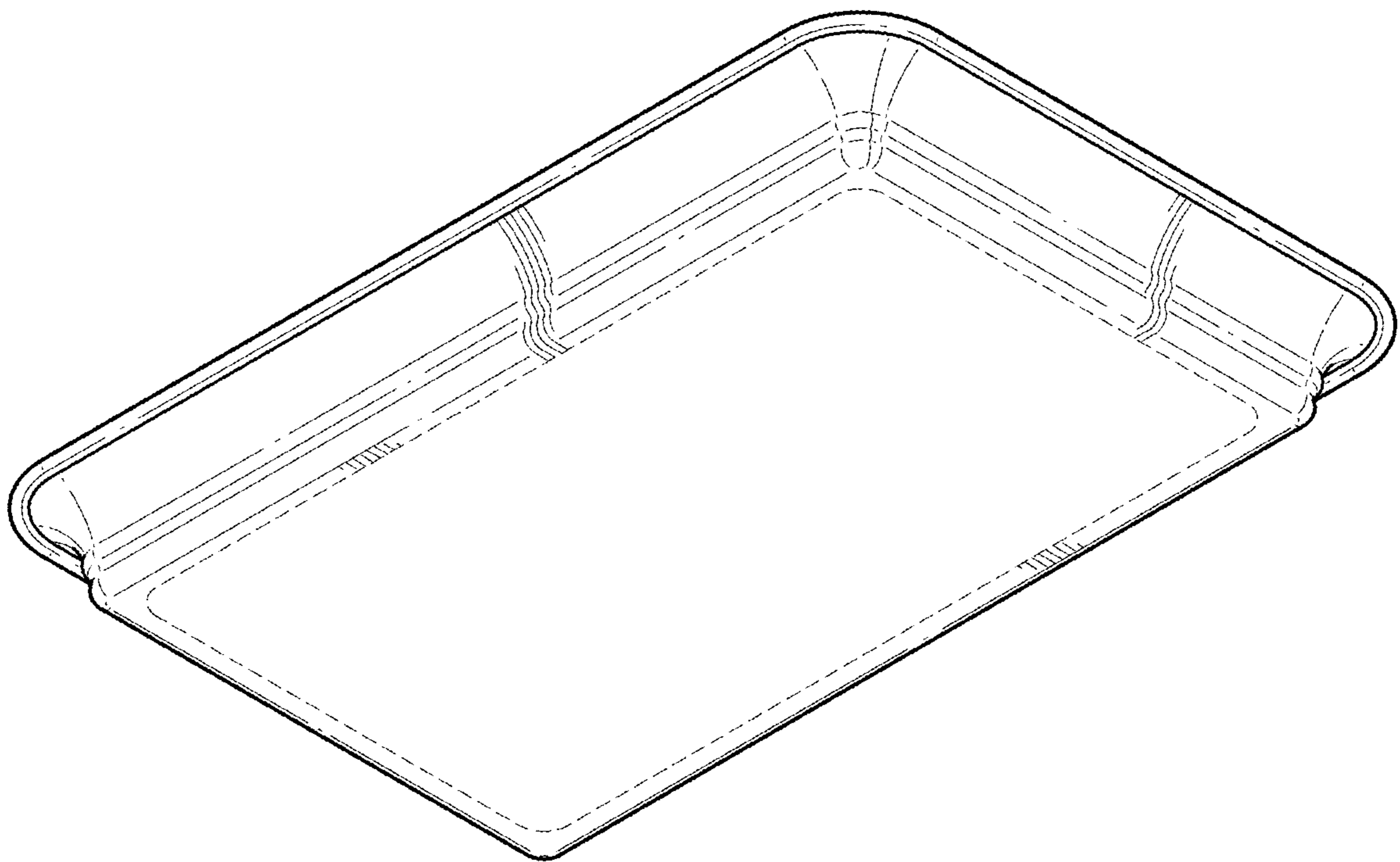
## U.S. PATENT DOCUMENTS

D537,678 S \* 3/2007 Glander ..... D7/554.3  
D550,043 S \* 9/2007 Brattoli ..... D7/354  
D607,279 S \* 1/2010 Hollis ..... D7/545  
D792,759 S \* 7/2017 Foster ..... D7/602  
D820,629 S \* 6/2018 Lum ..... D7/354  
D871,155 S \* 12/2019 Miller ..... D7/554.3  
D871,156 S \* 12/2019 Veldkamp ..... D7/554.3  
D907,965 S \* 1/2021 Pawluskiewicz ..... D7/554.3  
2007/0221625 A1 \* 9/2007 Kitajima ..... B65D 1/34  
217/5  
2009/0321297 A1 \* 12/2009 Sundblad ..... B65D 1/34  
162/135  
2017/0334611 A1 \* 11/2017 Wu ..... B65D 25/24  
2020/0002047 A1 \* 1/2020 Starnes ..... B65D 75/006  
2020/0231325 A1 \* 7/2020 Tibbets ..... B31B 50/592  
2021/0078754 A1 \* 3/2021 Rosi ..... B65D 85/34  
2021/0155368 A1 \* 5/2021 Binshtok ..... B65B 5/02  
2021/0347518 A1 \* 11/2021 Khan ..... B65D 25/24  
2022/0087460 A1 \* 3/2022 Speranza ..... B65D 21/0233

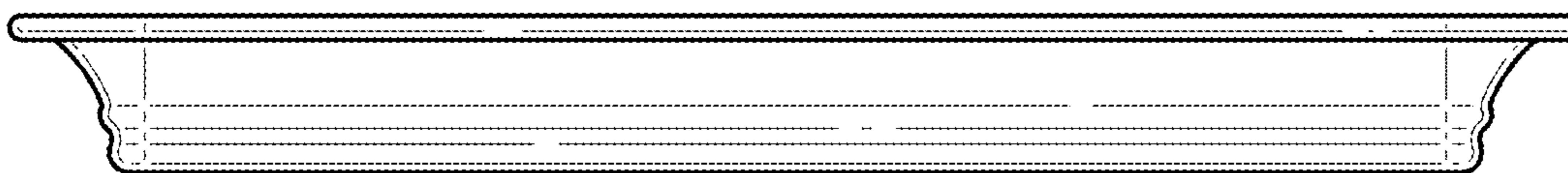
\* cited by examiner



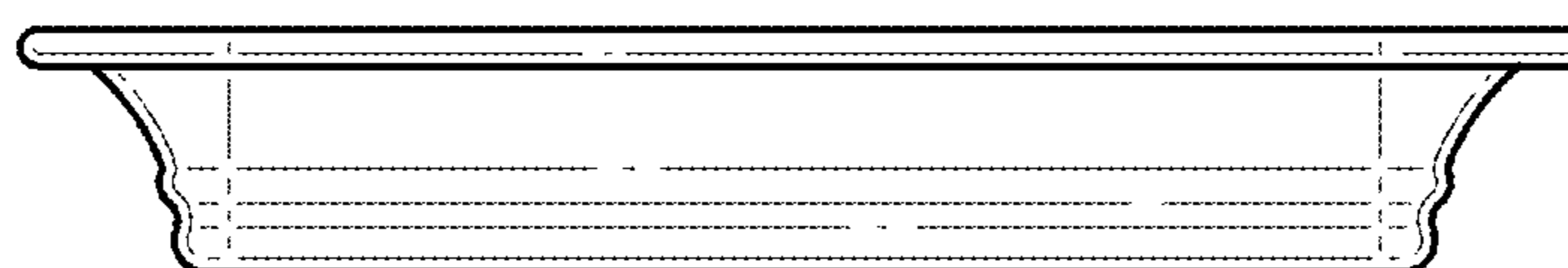
**FIG. 1**



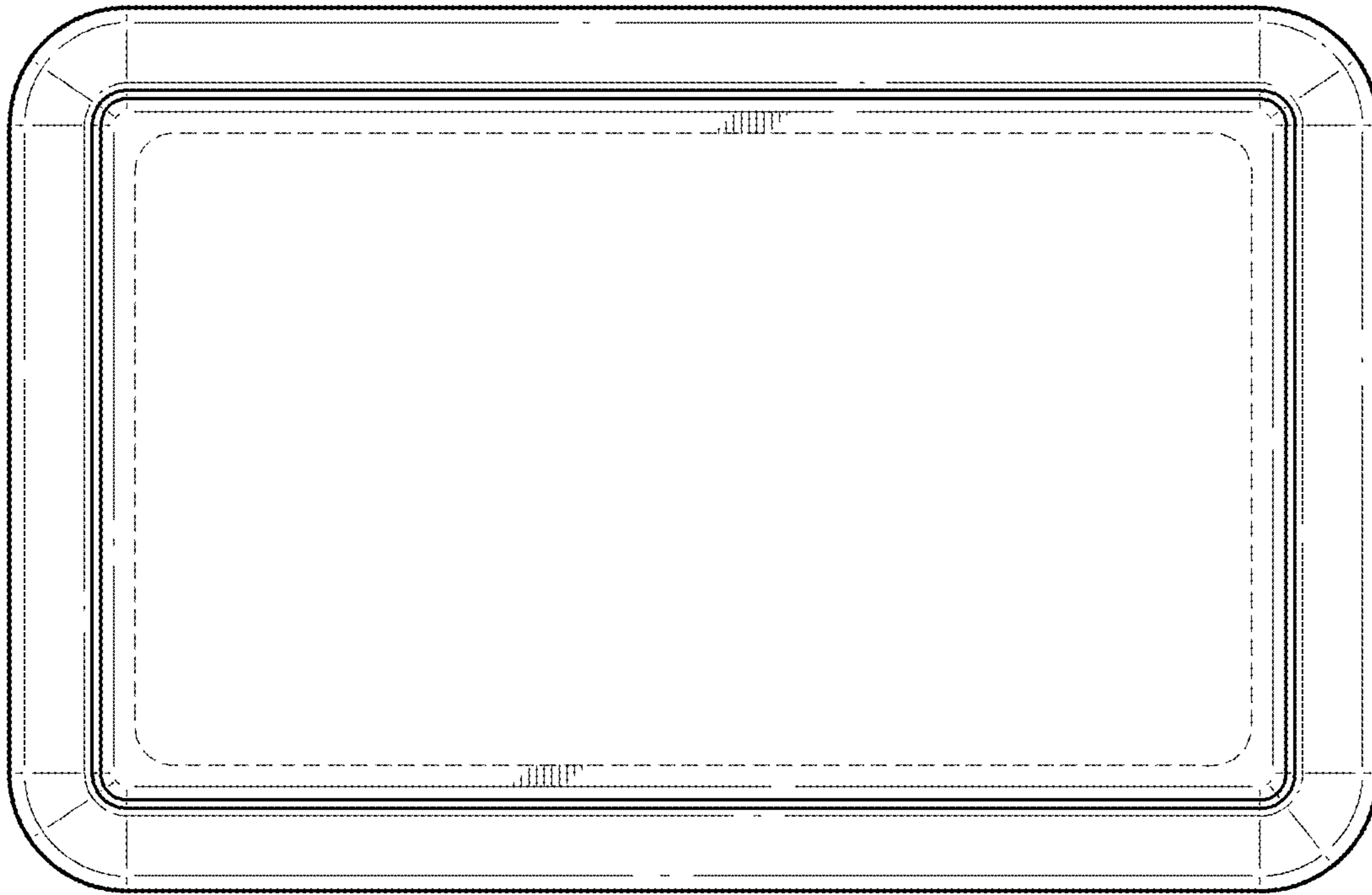
**FIG. 2**



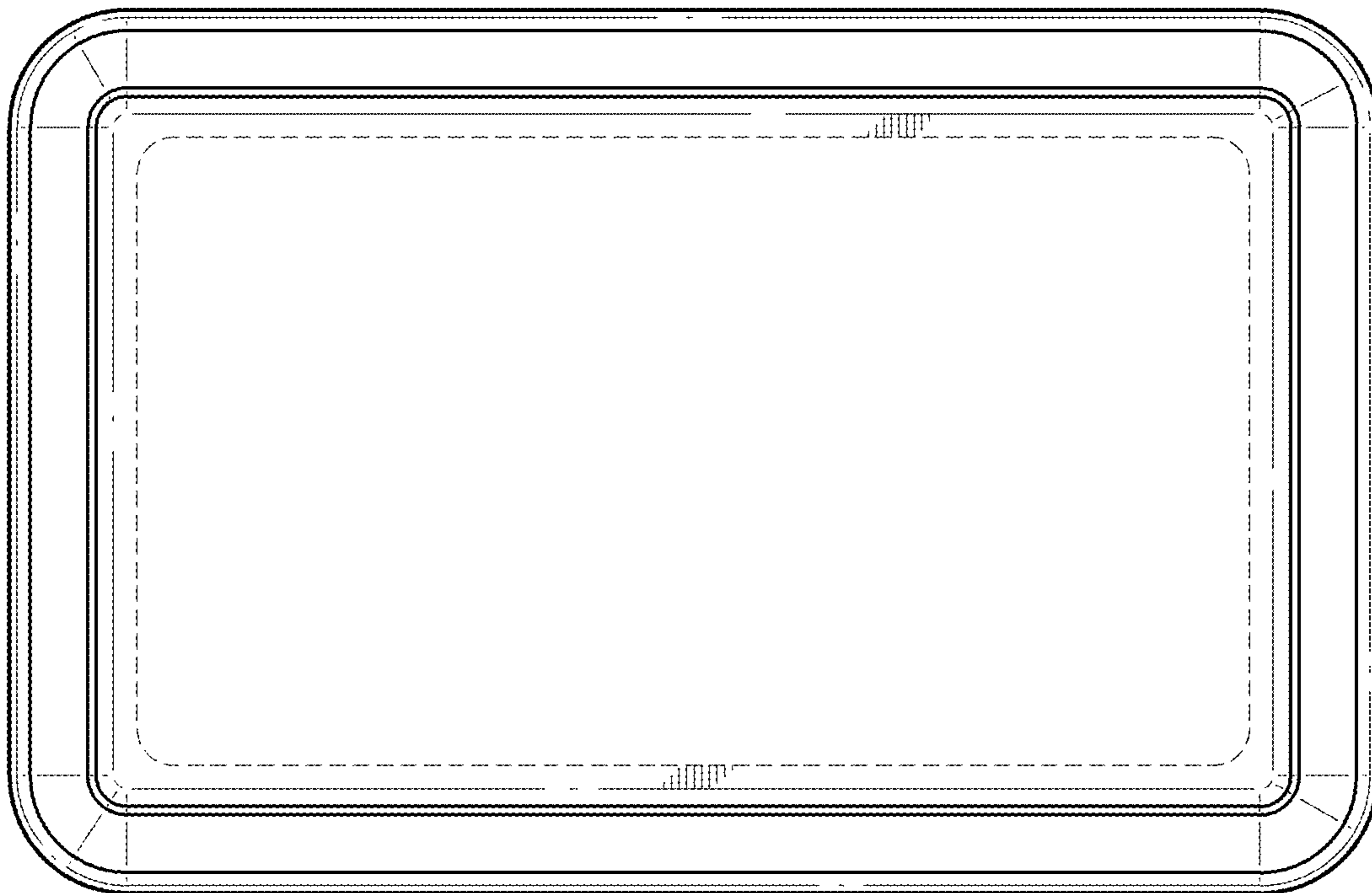
**FIG. 3**



**FIG. 4**



**FIG. 5**



**FIG. 6**