



US00D960645S

(12) **United States Design Patent** (10) **Patent No.:** **US D960,645 S**  
**Ji** (45) **Date of Patent:** **\*\* Aug. 16, 2022**

- (54) **MUG**
- (71) Applicant: **Guangdong Jimi Youpin Intelligent Technology Co., Ltd.**, Guangdong Province (CN)
- (72) Inventor: **Jiangang Ji**, Guangdong Province (CN)
- (\*\*) Term: **15 Years**
- (21) Appl. No.: **29/731,680**
- (22) Filed: **Apr. 17, 2020**
- (51) **LOC (13) Cl.** ..... **07-01**
- (52) **U.S. Cl.**  
USPC ..... **D7/507; D7/510; D7/536**
- (58) **Field of Classification Search**  
USPC ..... D7/507, 509, 510, 511, 523, 531, 532, D7/392.1, 396.2, 534, 536; D9/449, 435, D9/436, 440, 450; D3/202  
CPC ..... A47G 19/2288; A47G 19/22; A47G 19/2205; A47G 19/2211; A47G 19/2216; A47G 19/2222; A47J 31/14; A47J 31/005  
See application file for complete search history.

D939,278 S \* 12/2021 Vierck ..... D7/510  
 D944,600 S \* 3/2022 Pisarevsky ..... D7/608  
 2021/0221574 A1\* 7/2021 Whitaker ..... A47G 19/2255

**OTHER PUBLICATIONS**

[https://www.amazon.com/dp/B08CN6JQ1Q/ref=cm\\_sw\\_em\\_r\\_mt\\_dp\\_XFTNYEJG549SCDH0DJKM](https://www.amazon.com/dp/B08CN6JQ1Q/ref=cm_sw_em_r_mt_dp_XFTNYEJG549SCDH0DJKM) (Year: 2020).\*

[https://www.amazon.com/dp/B09Q1ZFHHL/ref=cm\\_sw\\_em\\_r\\_mt\\_dp\\_FJ1Q9V1FVXERE9VP2GYS?\\_encoding=UTF8&psc=1](https://www.amazon.com/dp/B09Q1ZFHHL/ref=cm_sw_em_r_mt_dp_FJ1Q9V1FVXERE9VP2GYS?_encoding=UTF8&psc=1) (Year: 2021).\*

[https://www.amazon.com/dp/B07NQPYGYD/ref=cm\\_sw\\_em\\_r\\_mt\\_dp\\_06T0V1QSV16QCY4RNZ17?\\_encoding=UTF8&psc=1](https://www.amazon.com/dp/B07NQPYGYD/ref=cm_sw_em_r_mt_dp_06T0V1QSV16QCY4RNZ17?_encoding=UTF8&psc=1) (Year: 2019).\*

\* cited by examiner

*Primary Examiner* — Jae Liang  
 (74) *Attorney, Agent, or Firm* — Prakash Nama; Global IP Services, PLLC

(57) **CLAIM**

The ornamental design for a mug, as shown and described.

**DESCRIPTION**

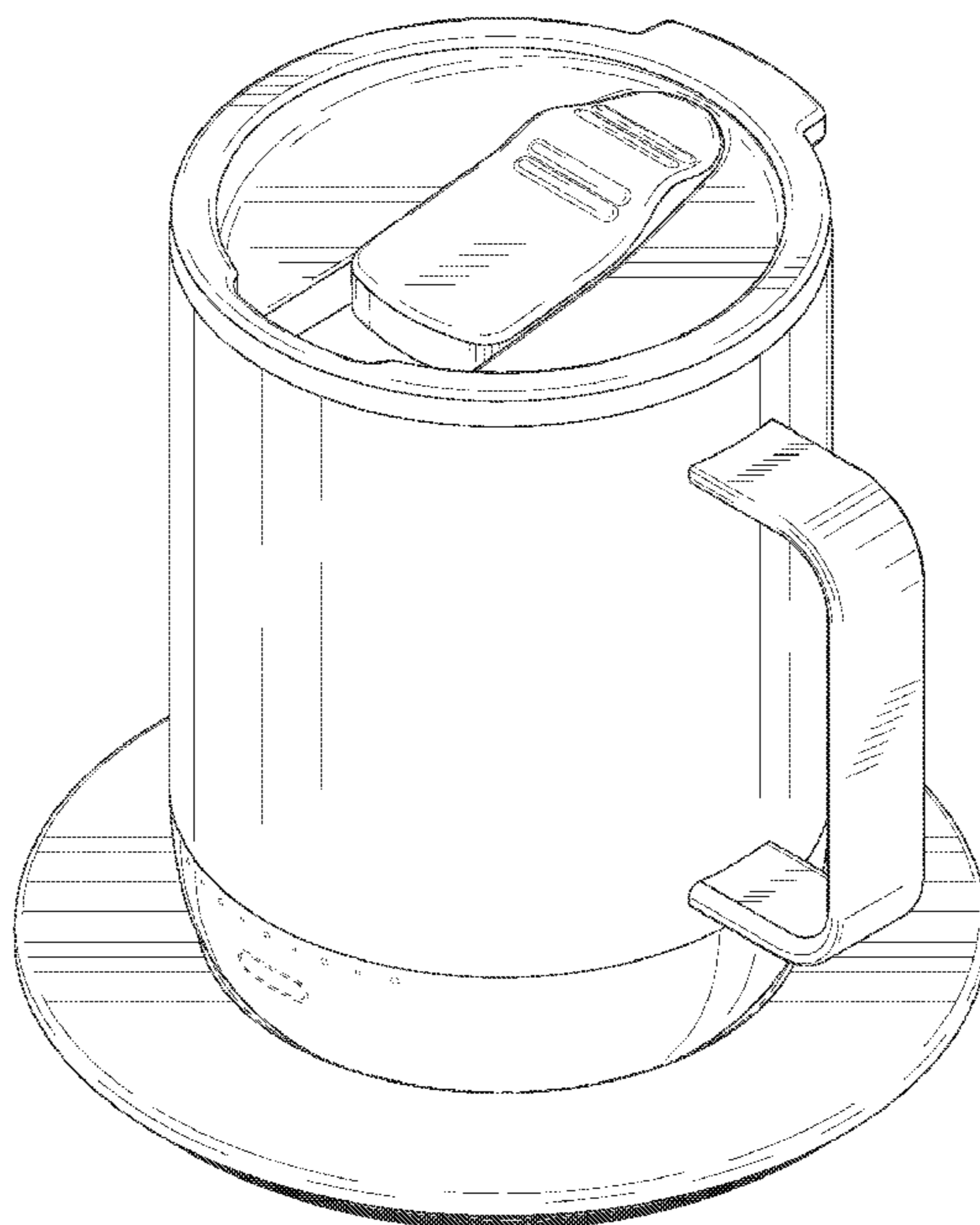
FIG. 1 is a front elevational view of a mug showing my new design;  
 FIG. 2 is a rear elevational view thereof;  
 FIG. 3 is a left side view thereof;  
 FIG. 4 is a right side view thereof;  
 FIG. 5 is a top plan view thereof;  
 FIG. 6 is a bottom plan view thereof;  
 FIG. 7 is a perspective view thereof; and,  
 FIG. 8 is another perspective view thereof.  
 The broken lines shown in mug form no part of the claimed design.

**1 Claim, 8 Drawing Sheets**

(56) **References Cited**

**U.S. PATENT DOCUMENTS**

- D310,768 S \* 9/1990 Levine ..... D7/536
- D495,207 S \* 8/2004 Since ..... D7/515
- D536,214 S \* 2/2007 Schuler ..... D7/392.1
- D554,947 S \* 11/2007 Ranzoni ..... D7/505
- D790,272 S \* 6/2017 Han ..... D7/396.2
- D801,746 S \* 11/2017 Thuma ..... D7/392.1
- D810,503 S \* 2/2018 Murosky ..... D7/392.1
- D822,440 S \* 7/2018 Kuh ..... D7/509
- D896,575 S \* 9/2020 Xie ..... D9/449
- D899,845 S \* 10/2020 Hamilton ..... D7/392.1
- D902,991 S \* 11/2020 Tivnon ..... D18/50
- D904,125 S \* 12/2020 Jacobsen ..... D7/510



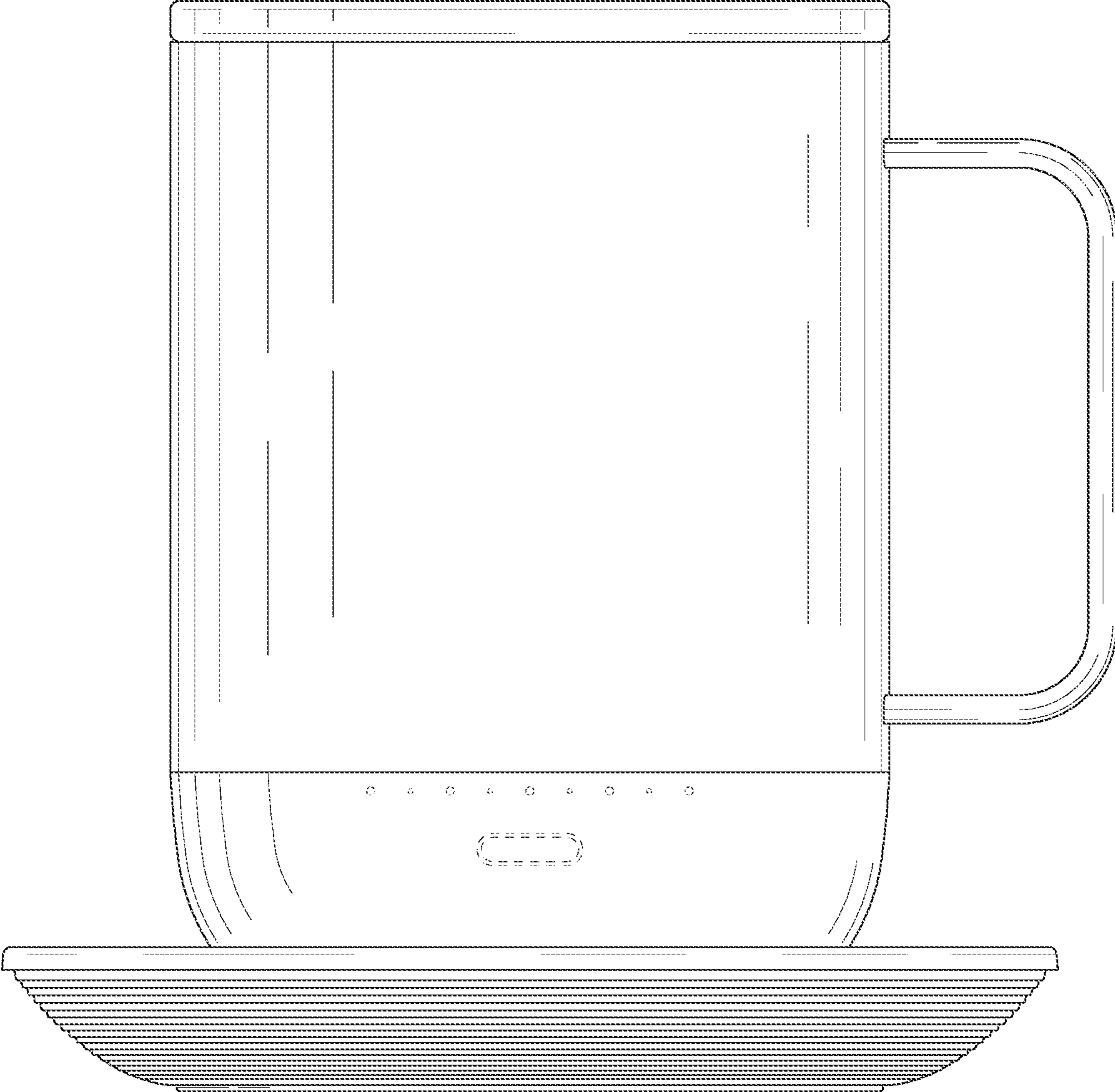


FIG. 1

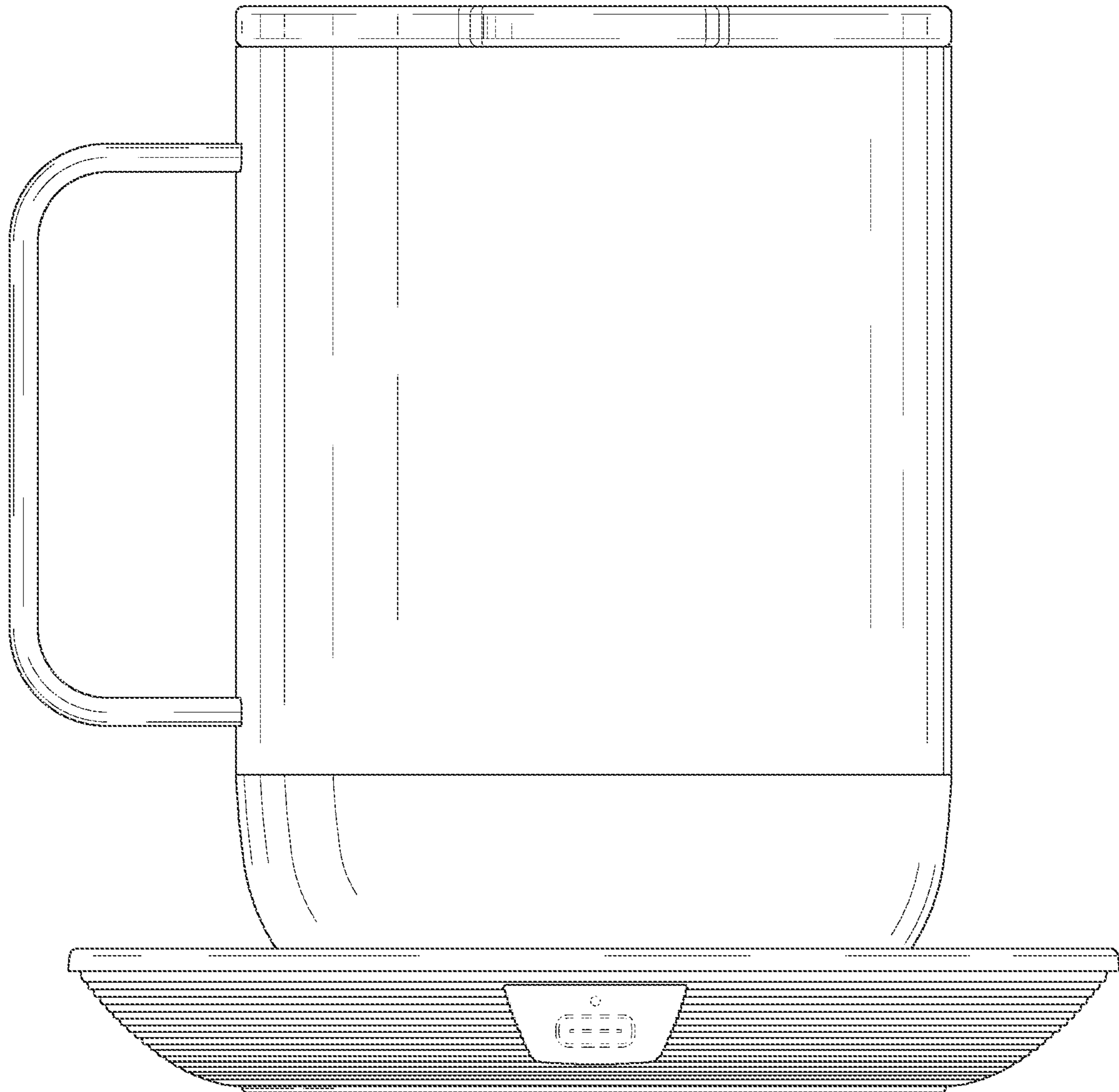


FIG. 2

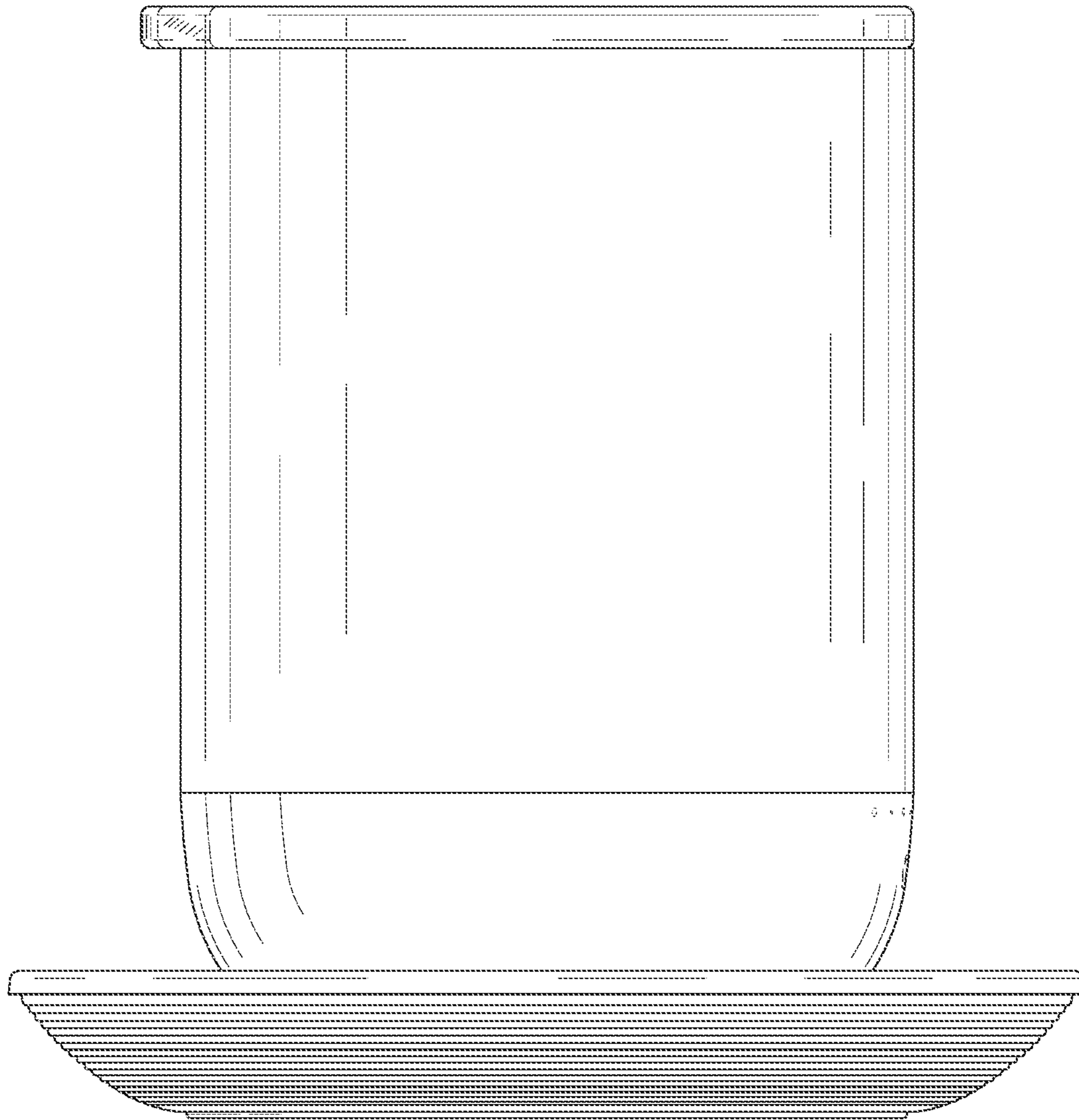


FIG. 3

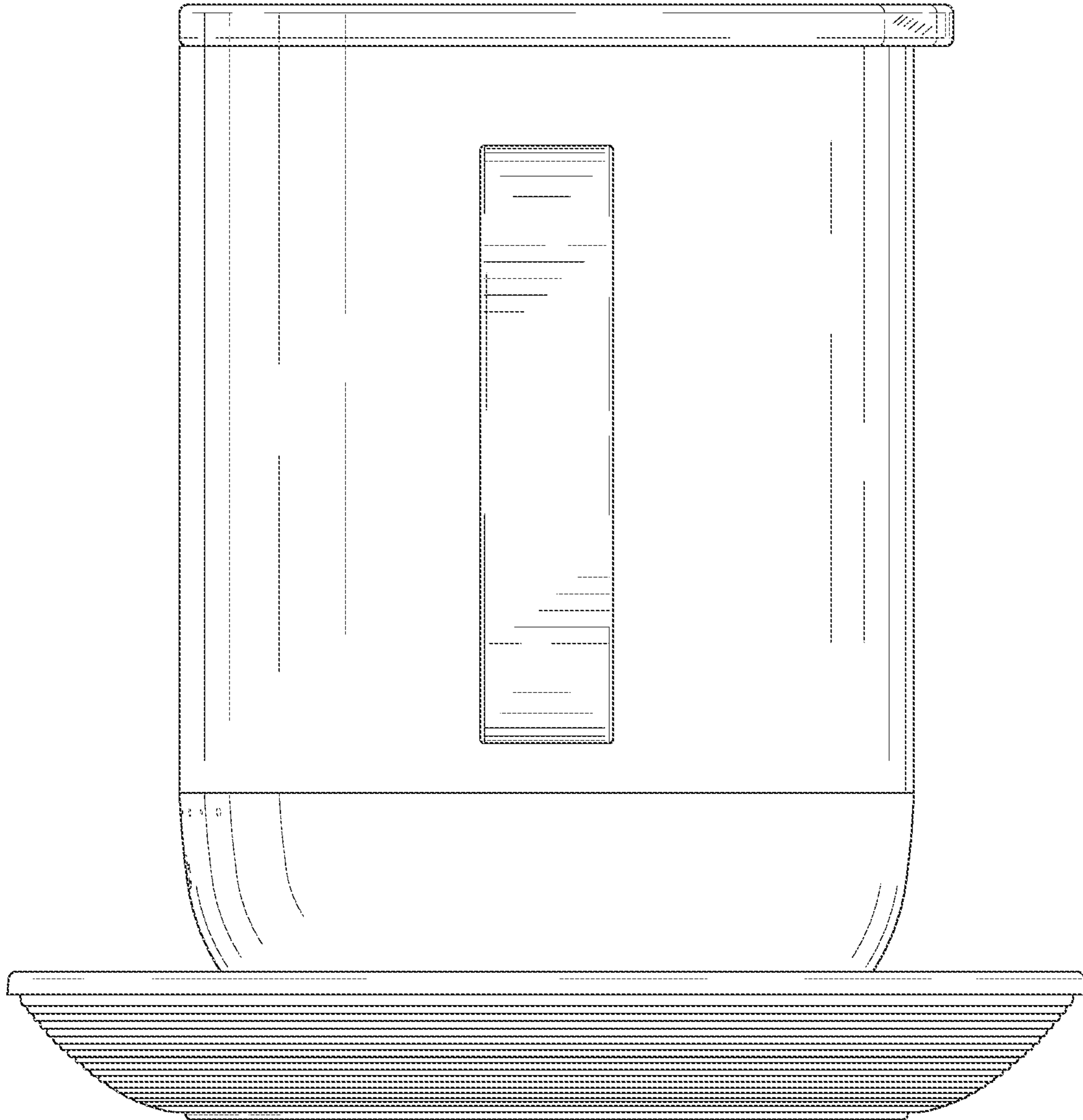


FIG. 4

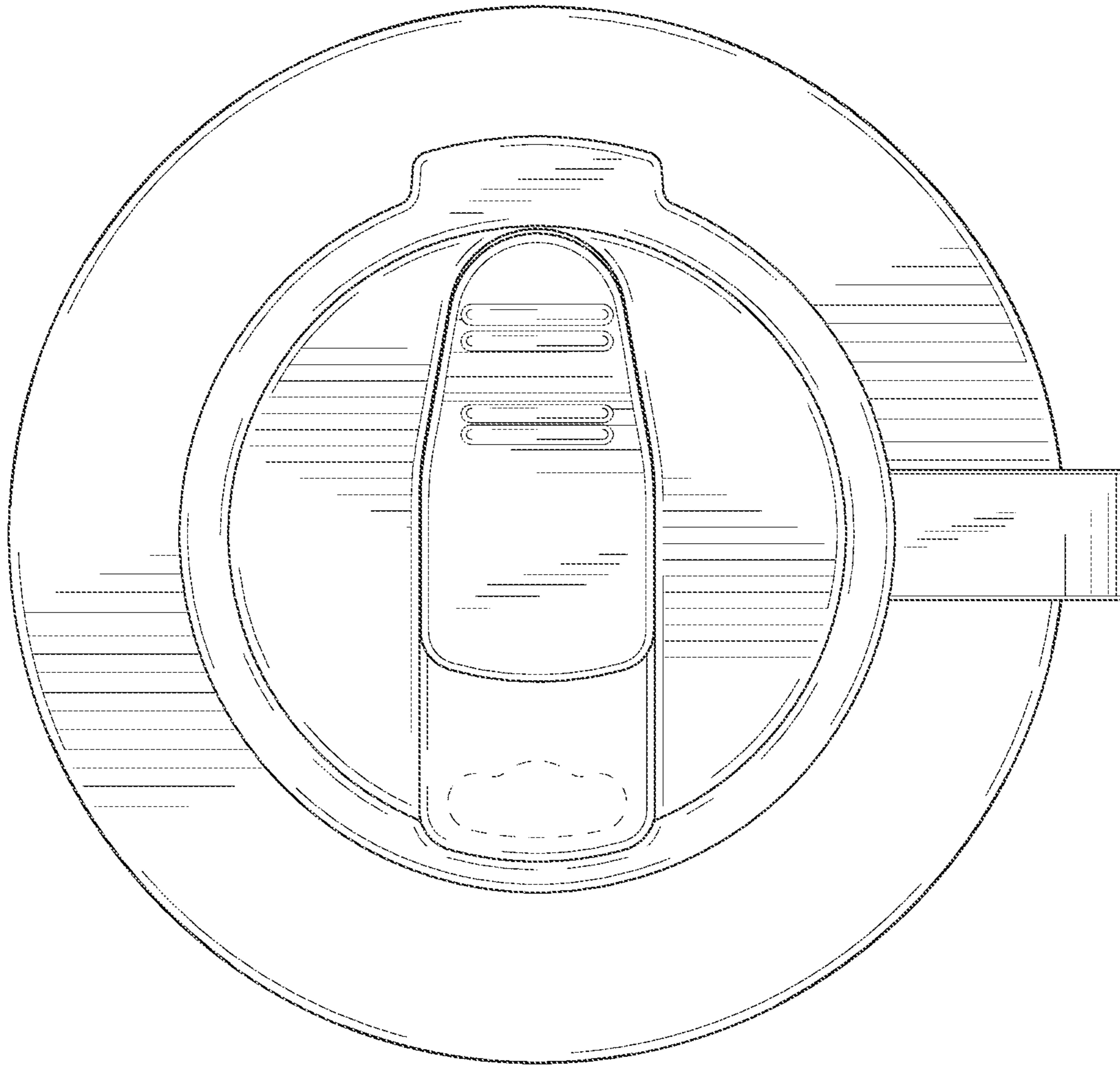


FIG.5

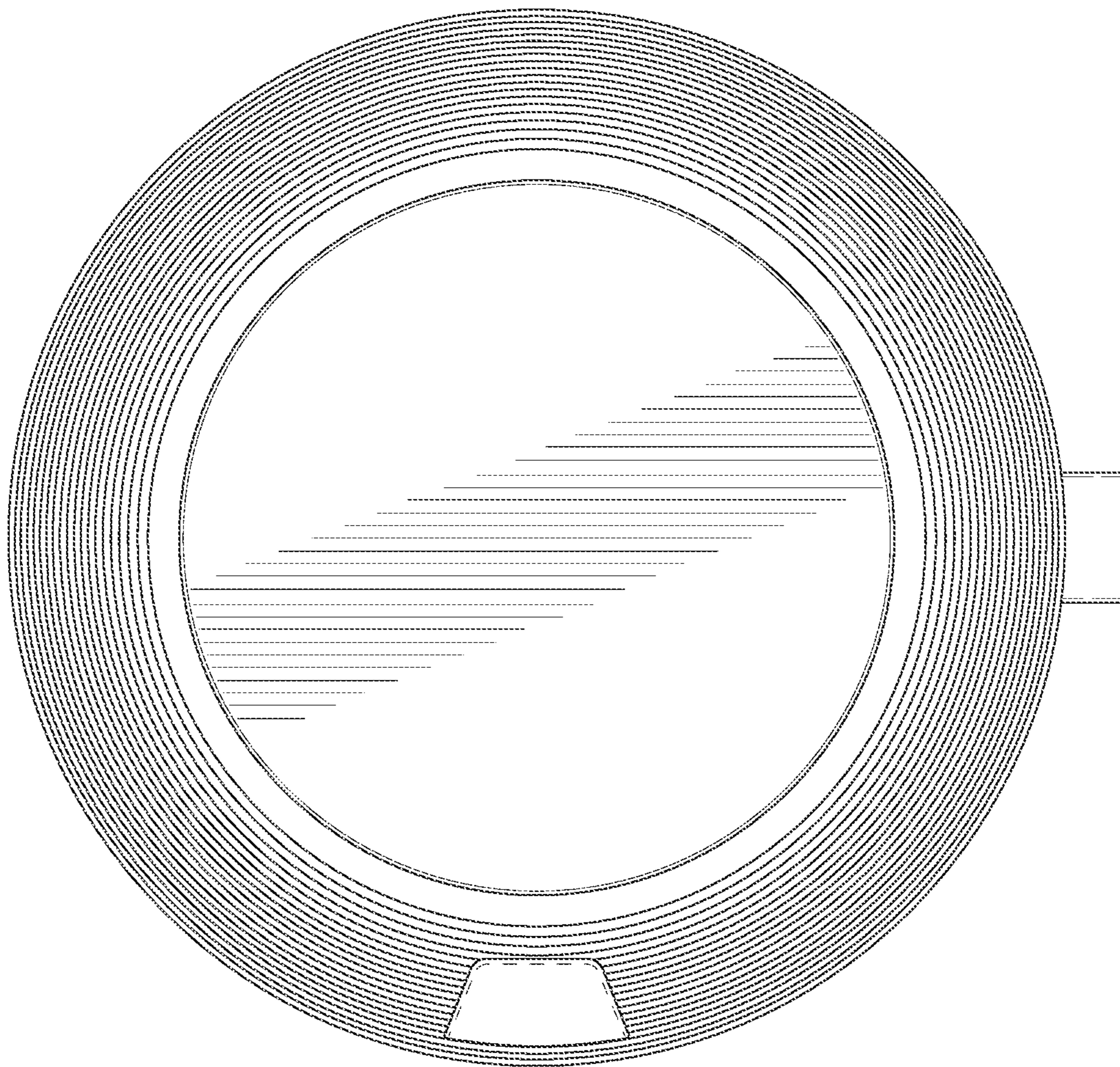


FIG.6

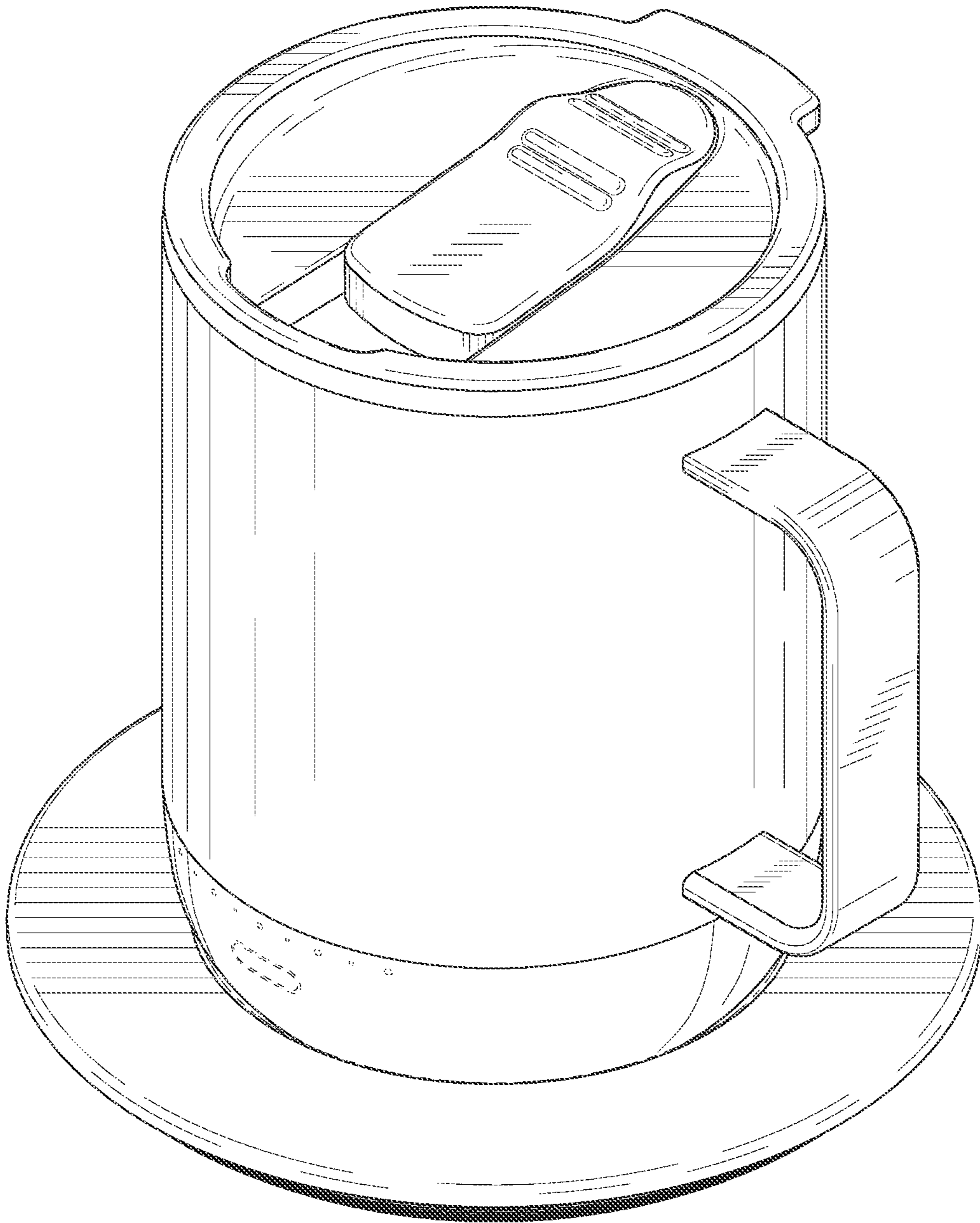


FIG. 7



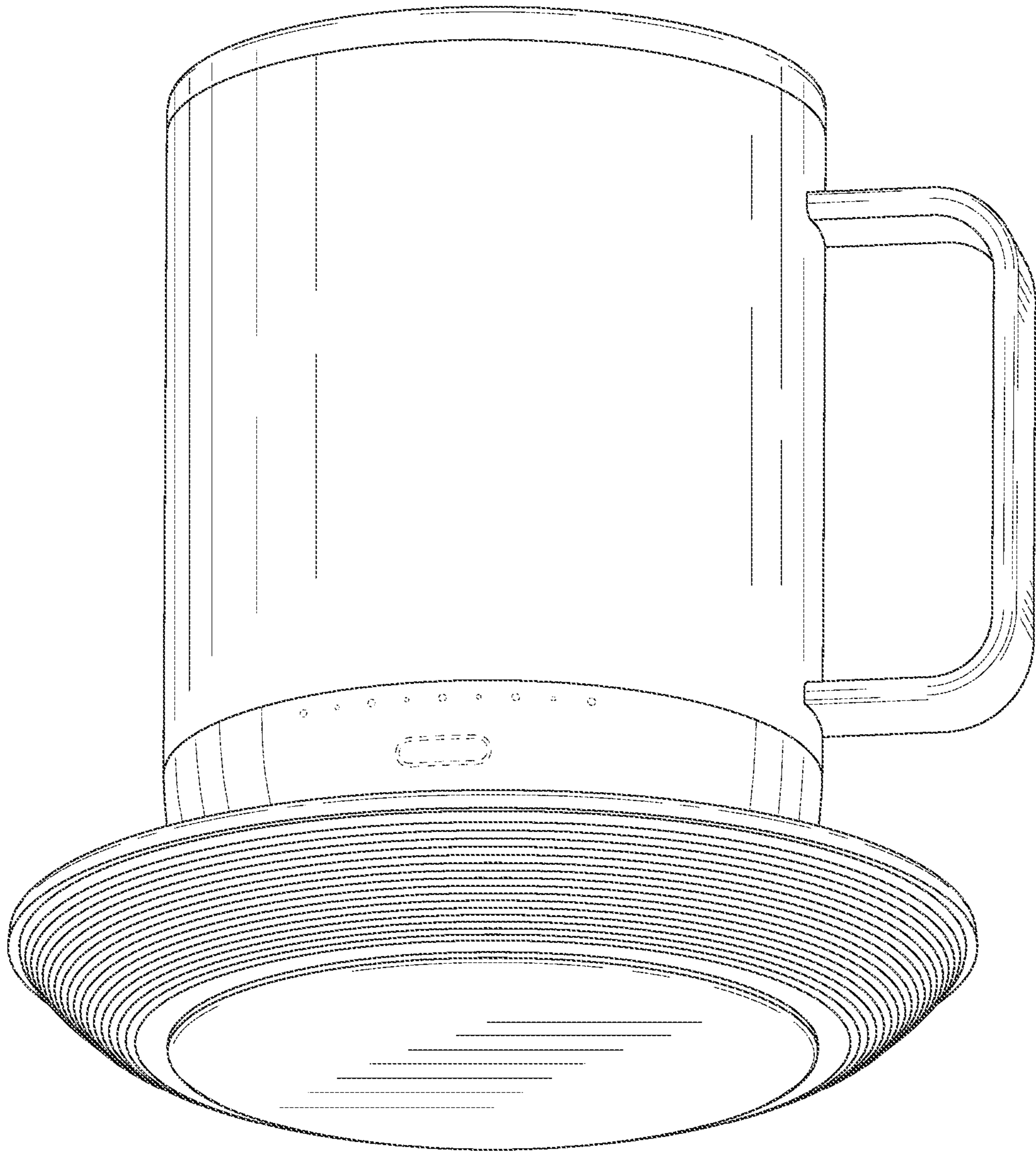


FIG. 8