



US00D960641S

(12) **United States Design Patent**
Delorenzo et al.

(10) **Patent No.:** **US D960,641 S**
(45) **Date of Patent:** **** Aug. 16, 2022**

(54) **PREPARATION STATION**

- (71) Applicant: **Unified Brands, Inc.**, Jackson, MS (US)
- (72) Inventors: **Orindo Delorenzo**, Mount Pleasant, MI (US); **Arthur Delorenzo**, Mount Pleasant, MI (US); **Jim Ervin**, Lake Isabella, MI (US)
- (73) Assignee: **Unified Brands, Inc.**, Jackson, MS (US)
- (**) Term: **15 Years**
- (21) Appl. No.: **29/708,816**
- (22) Filed: **Oct. 9, 2019**
- (51) **LOC (13) Cl.** **07-02**
- (52) **U.S. Cl.**
USPC **D7/409**
- (58) **Field of Classification Search**
USPC D7/323, 332, 335-337, 354-355, D7/359-364, 387-388, 402, 407-409
(Continued)

(56) **References Cited**

U.S. PATENT DOCUMENTS

- 3,536,000 A * 10/1970 Whitehill A47J 36/022 99/425
- 3,972,318 A * 8/1976 Lenoir A47J 37/10 126/348

(Continued)

OTHER PUBLICATIONS

Unified Brands, Inc.; Randell Cheese and Sauce Station Brochure; Jul. 2015; USA.

Primary Examiner — Ricky Pham

(74) *Attorney, Agent, or Firm* — Kutak Rock LLP

(57) **CLAIM**

The ornamental design for a preparation station, as shown and described.

DESCRIPTION

FIG. 1 is a front, right perspective view of a preparation station.

FIG. 2 is a front, right perspective view of a grate of the preparation station of FIG. 1.

FIG. 3 is a front, right perspective view of a platform of the preparation station of FIG. 1, shown in an exploded configuration.

FIG. 4 is a front elevation view of the preparation station of FIG. 1.

FIG. 5 is a rear elevation view of the preparation station of FIG. 1.

FIG. 6 is a right-side elevation view of the preparation station of FIG. 1.

FIG. 7 is a left-side elevation view of the preparation station of FIG. 1.

FIG. 8 is a top plan view of the preparation station of FIG. 1.

FIG. 9 is a bottom plan view of the preparation station of FIG. 1.

FIG. 10 is a front, right perspective view of the preparation station of FIG. 1, shown in use within a cabinet.

FIG. 11 is a front, right perspective view of the preparation station of FIG. 1, shown in use within a cabinet with a preparation pan; and,

FIG. 12 is a front, right perspective view of the preparation station of FIG. 1, shown in an exploded configuration with a cabinet and a preparation pan.

Exhibit A is a series of figures for an alternative embodiment of the preparation station, cabinet, and preparation pan.

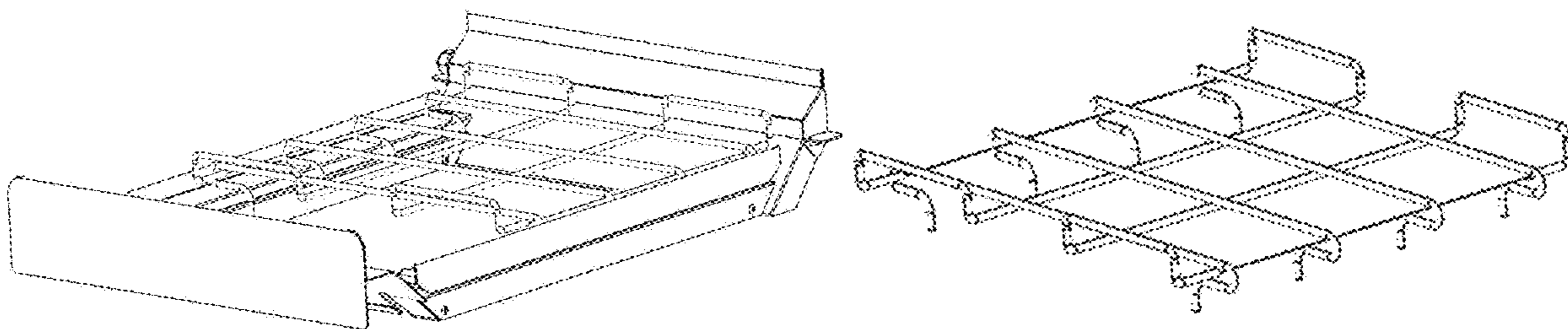
Exhibit B is a promotional presentation.

Exhibit C is a series of detailed specifications.

The broken lines showing a cabinet and preparation stand are for the purpose of illustrating environment and form no part of the claim.

Shading forms no part of the claim.

1 Claim, 9 Drawing Sheets



(58) **Field of Classification Search**

CPC A21B 2/00; A21B 3/00; A21B 3/13; A21B 3/15; A21B 5/00; A21B 5/02; A23N 12/06; A23N 12/08; A23N 12/10; A47F 3/0434; A47J 36/022; A47J 37/00; A47J 37/04; A47J 37/041; A47J 37/042; A47J 37/044; A47J 37/049; A47J 37/06; A47J 37/0623; A47J 37/0688; A47J 37/0694; A47J 37/07; A47J 37/0704; A47J 37/10; A47J 37/1276; A47J 47/20; A47J 2037/00; A47J 2037/06; A47J 2037/0611; A47J 2037/07; A47J 2037/0786; A47J 2037/0795; F24C 15/10; F24C 15/12; F24C 15/14; F24C 15/16; F24C 15/18; F24C 15/164; G01K 1/022; H05B 6/6464

See application file for complete search history.

(56) **References Cited**

U.S. PATENT DOCUMENTS

6,384,381	B2 *	5/2002	Witt	A47J 37/0623 219/411
7,038,172	B1 *	5/2006	Stuck	A47J 37/044 219/388
9,211,035	B2 *	12/2015	Shilling	A47J 37/049
D924,006	S *	7/2021	Gillespie	D7/409
D931,049	S *	9/2021	Bertness	D7/409
2009/0096617	A1 *	4/2009	Purcell	G01K 1/022 340/584
2017/0196375	A1 *	7/2017	Wallinder	A47F 3/0434
2018/0338354	A1 *	11/2018	Bassill	H05B 6/6464
2021/0235929	A1 *	8/2021	Perkins	A47J 37/1276

* cited by examiner

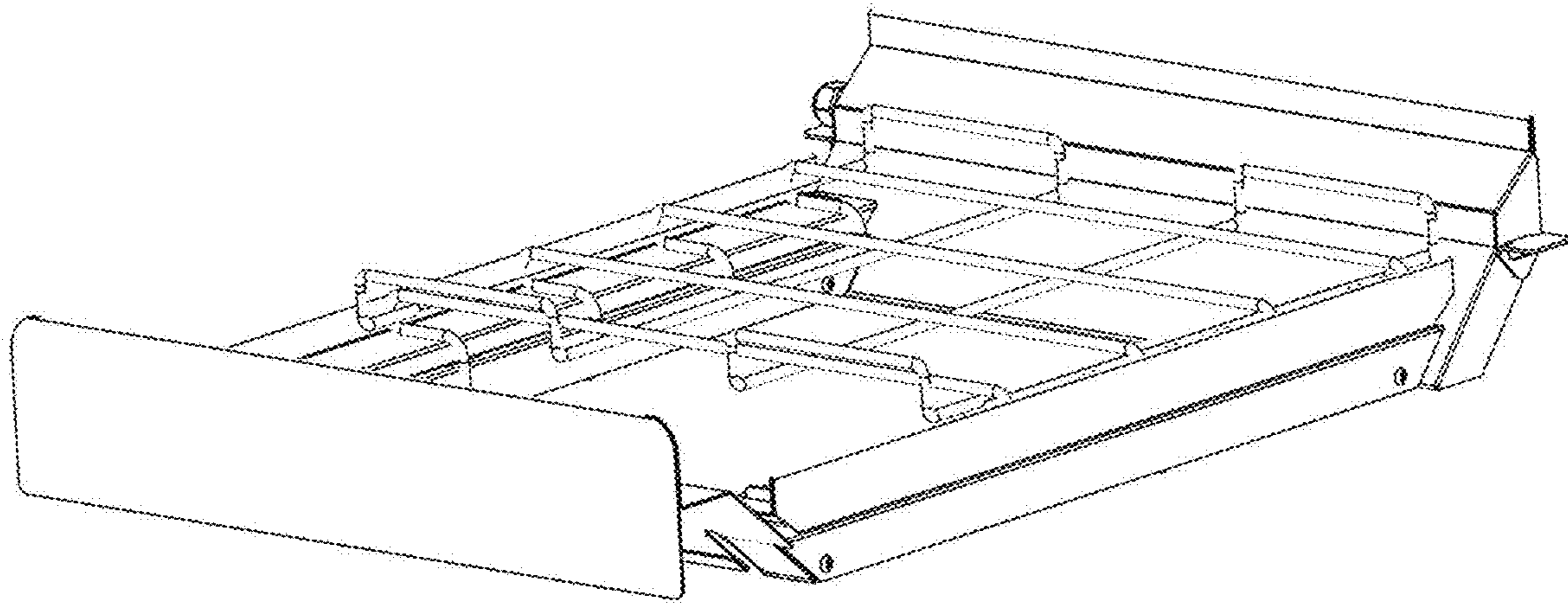


Fig. 1

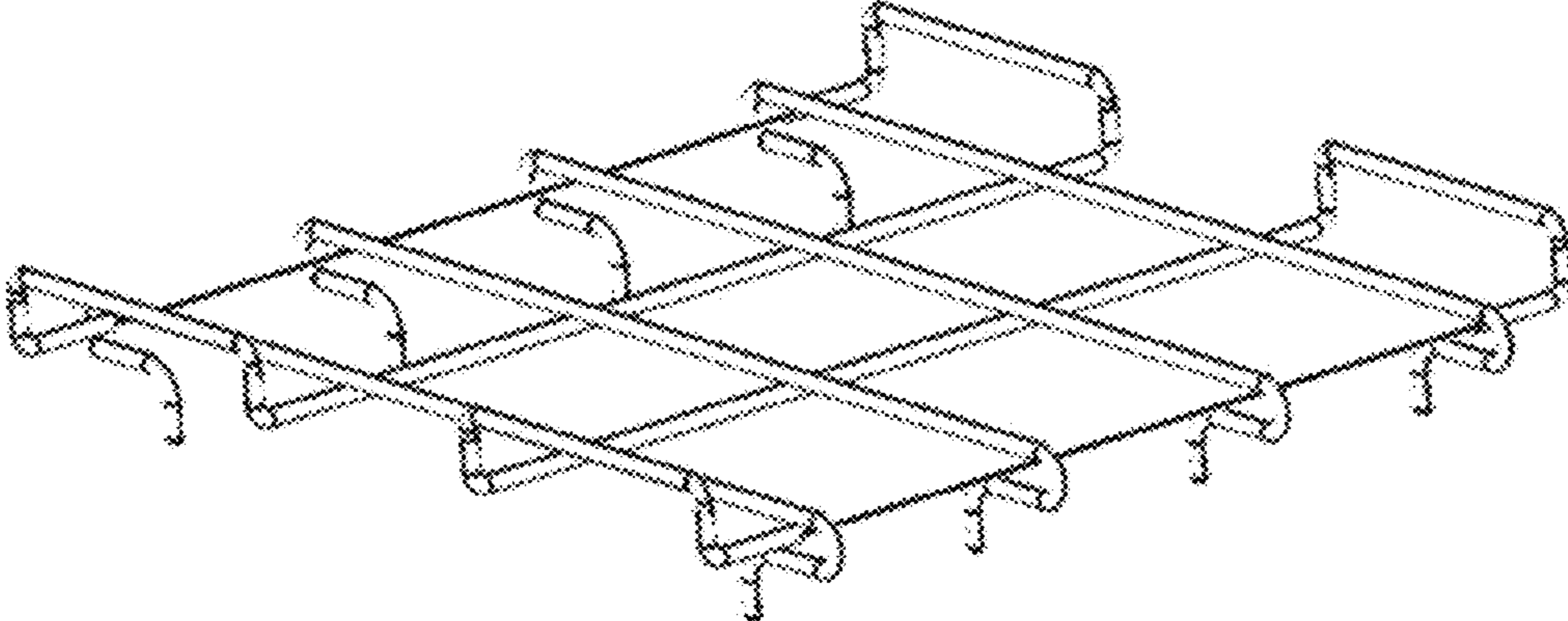


Fig. 2

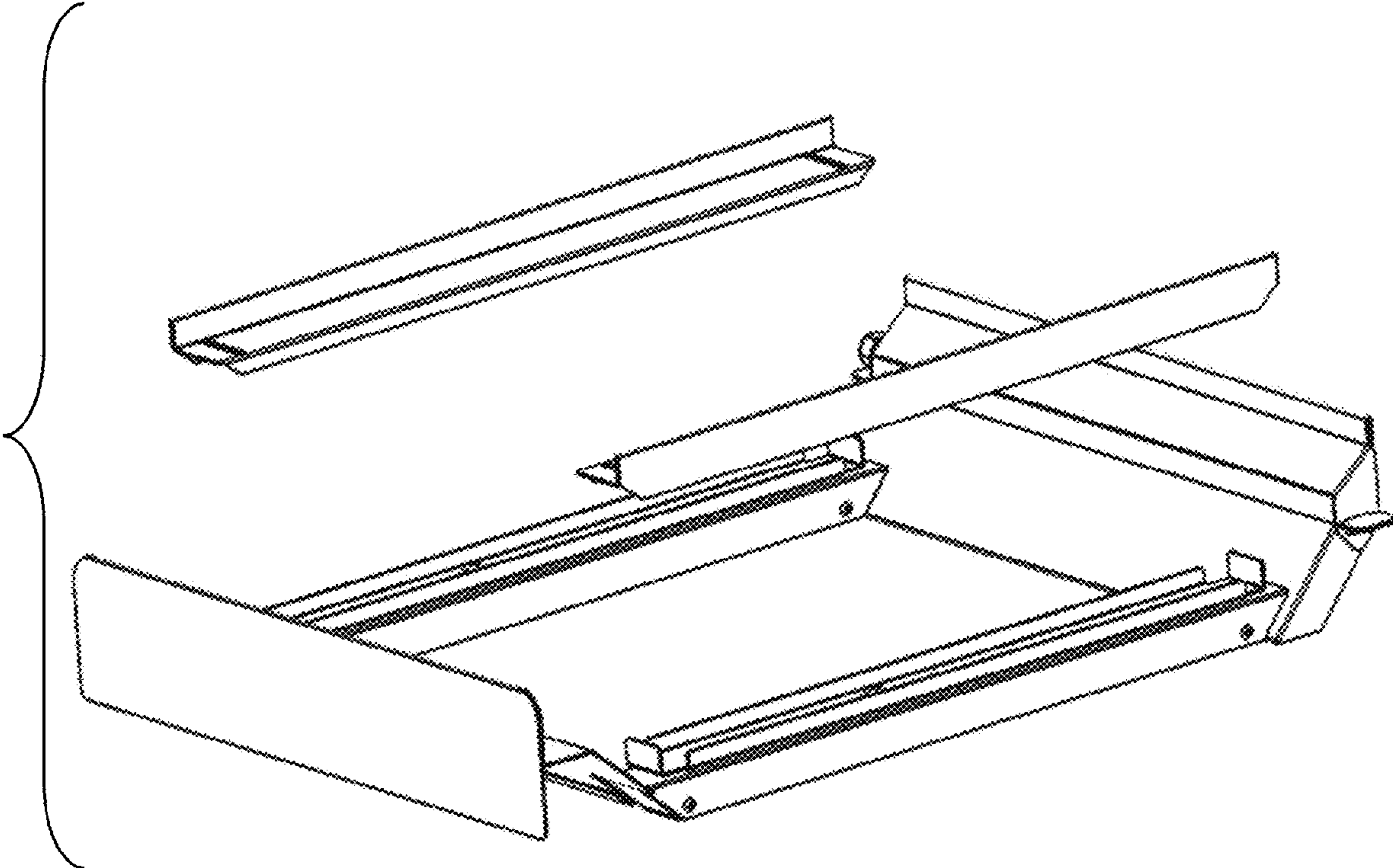


Fig. 3

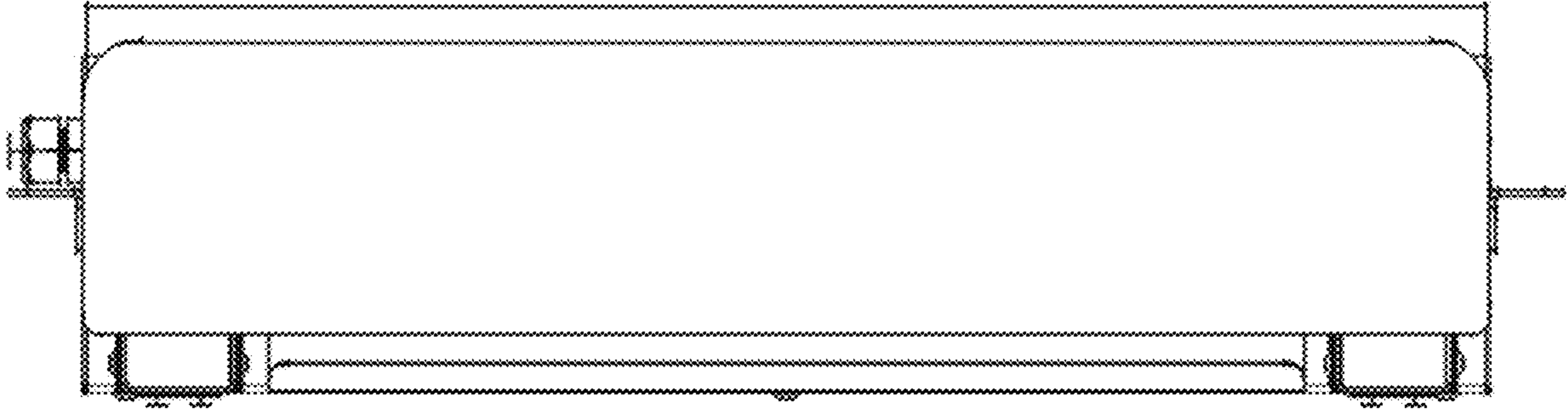


Fig. 4

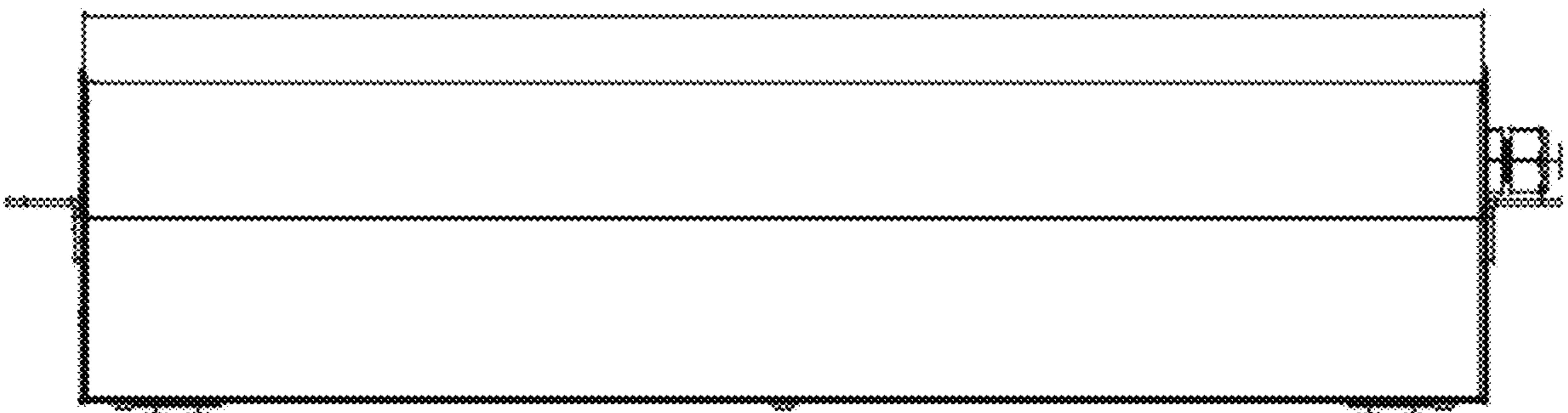


Fig. 5

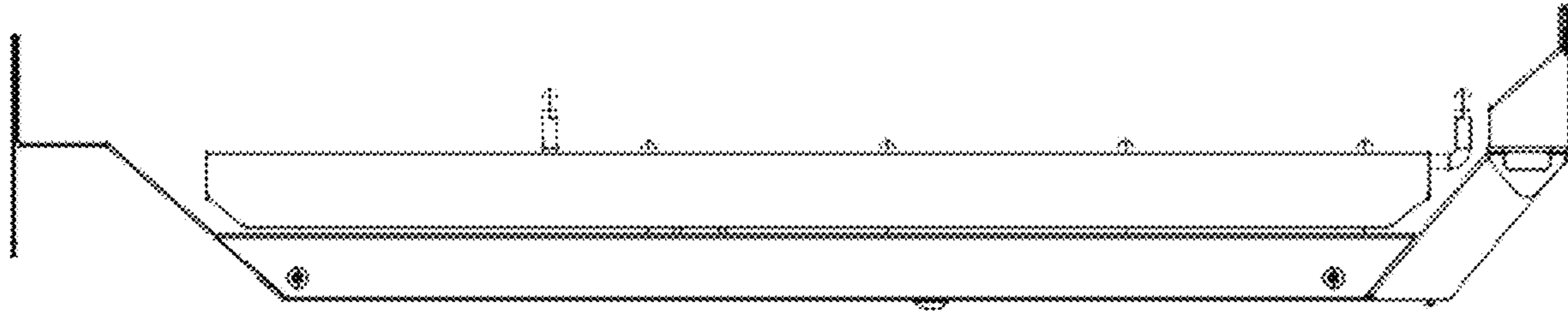


Fig. 6

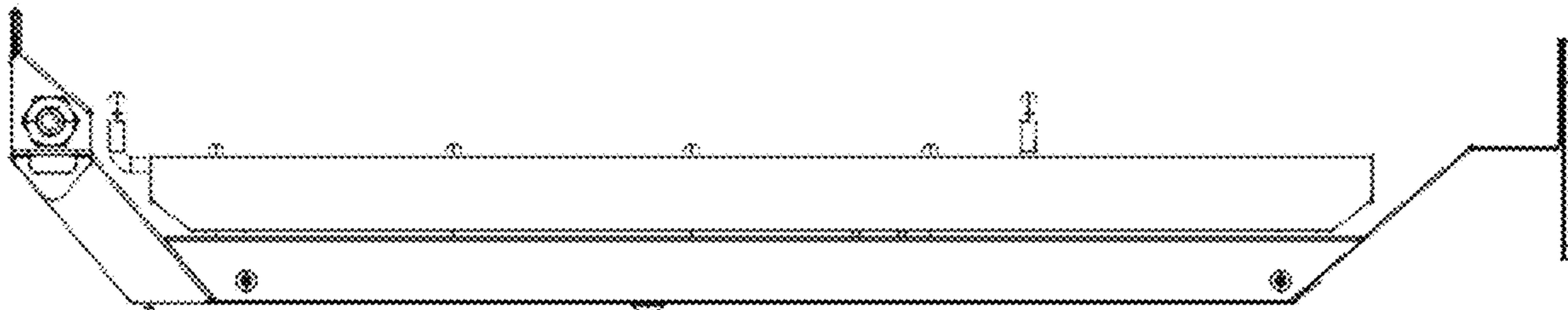


Fig. 7

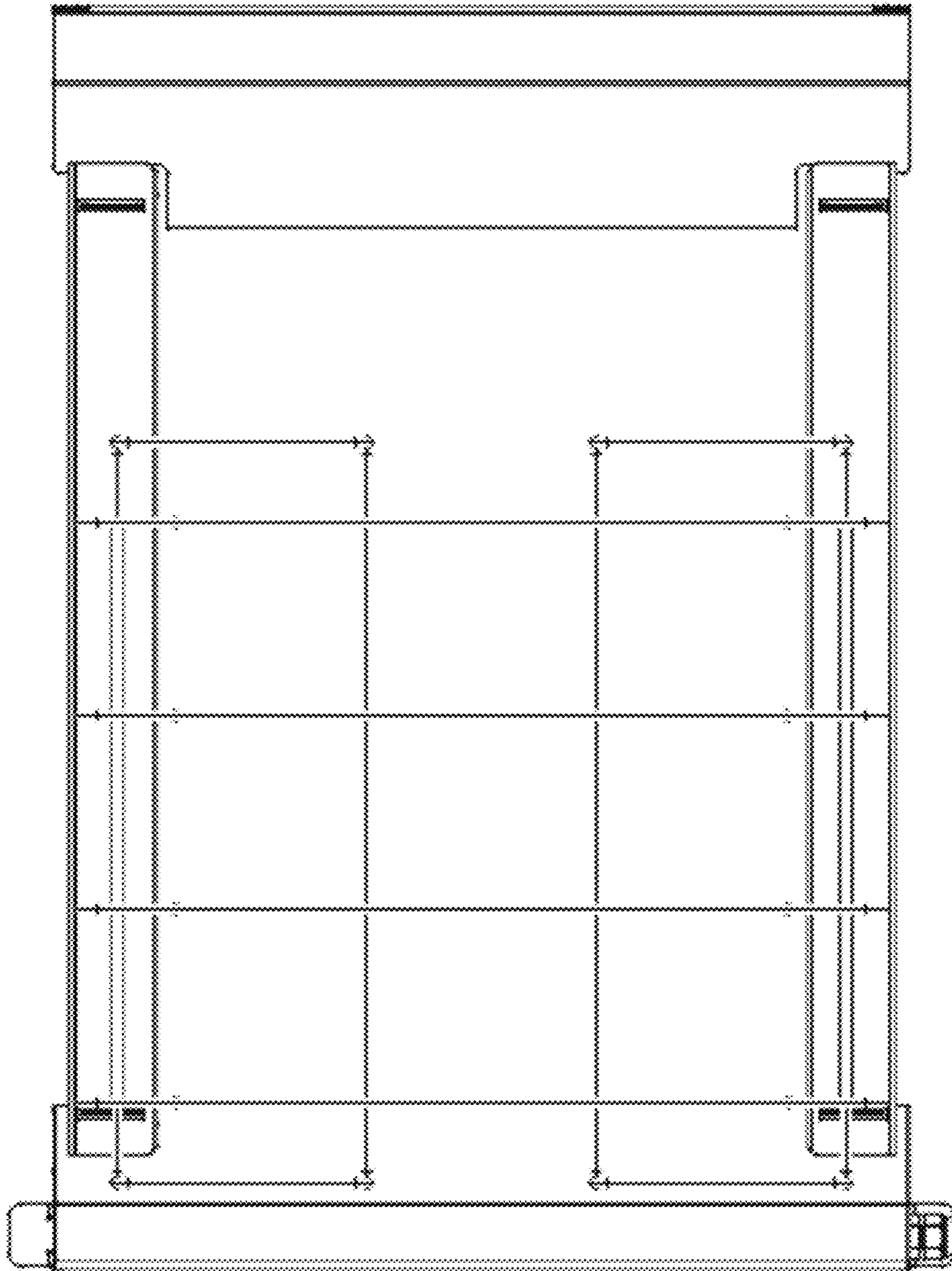


Fig. 8

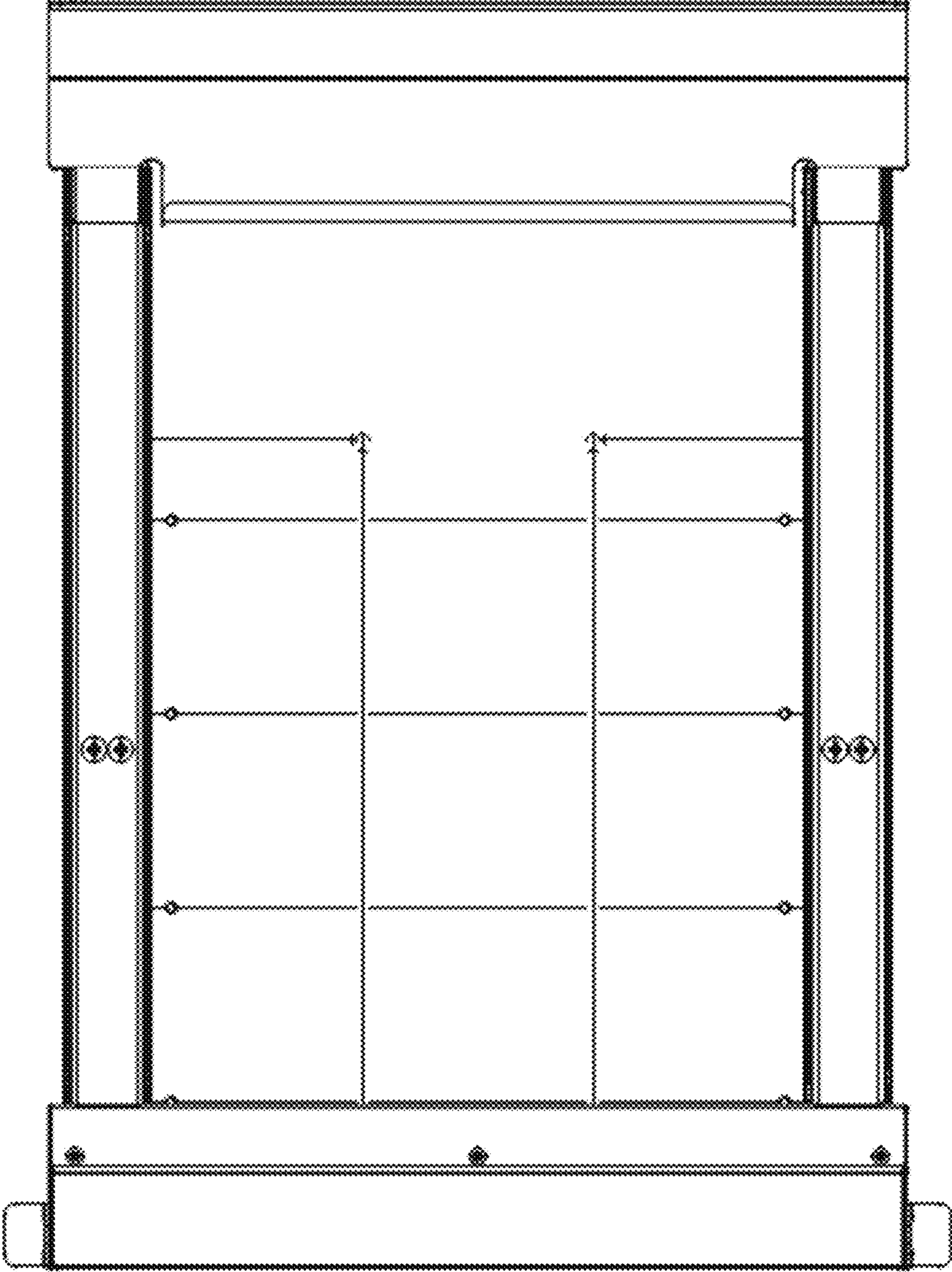


Fig. 9

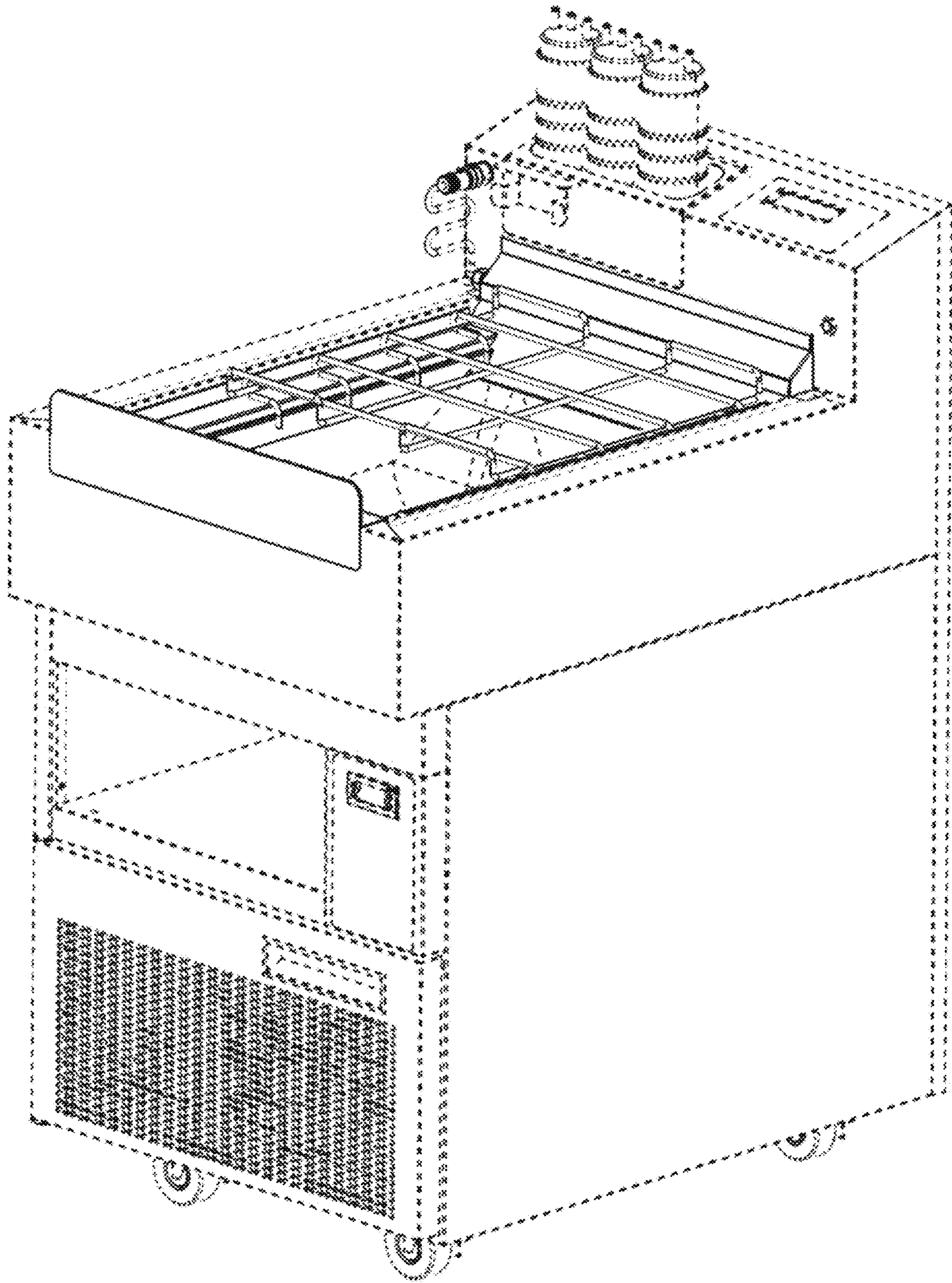


Fig. 10

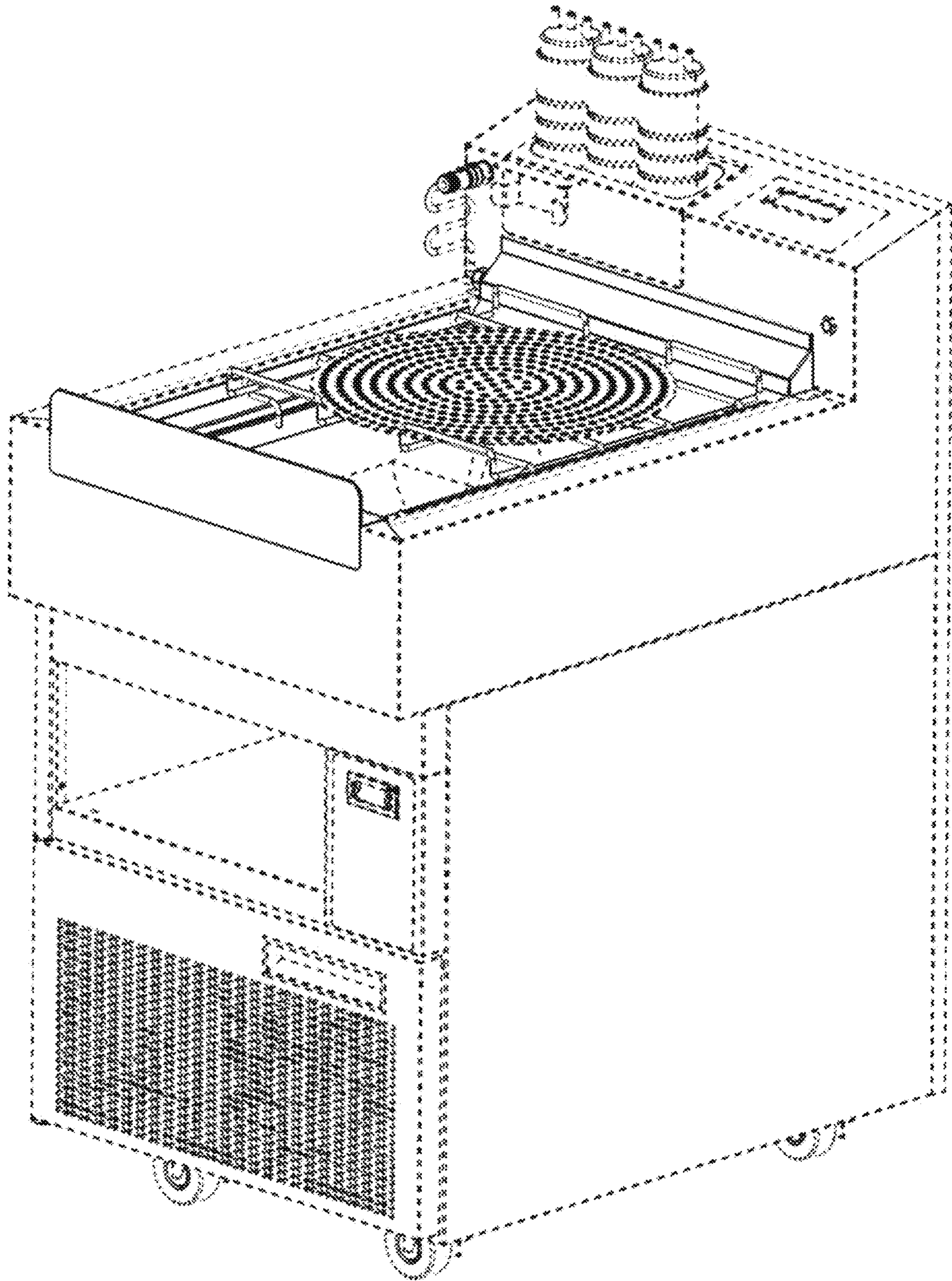


Fig. 11

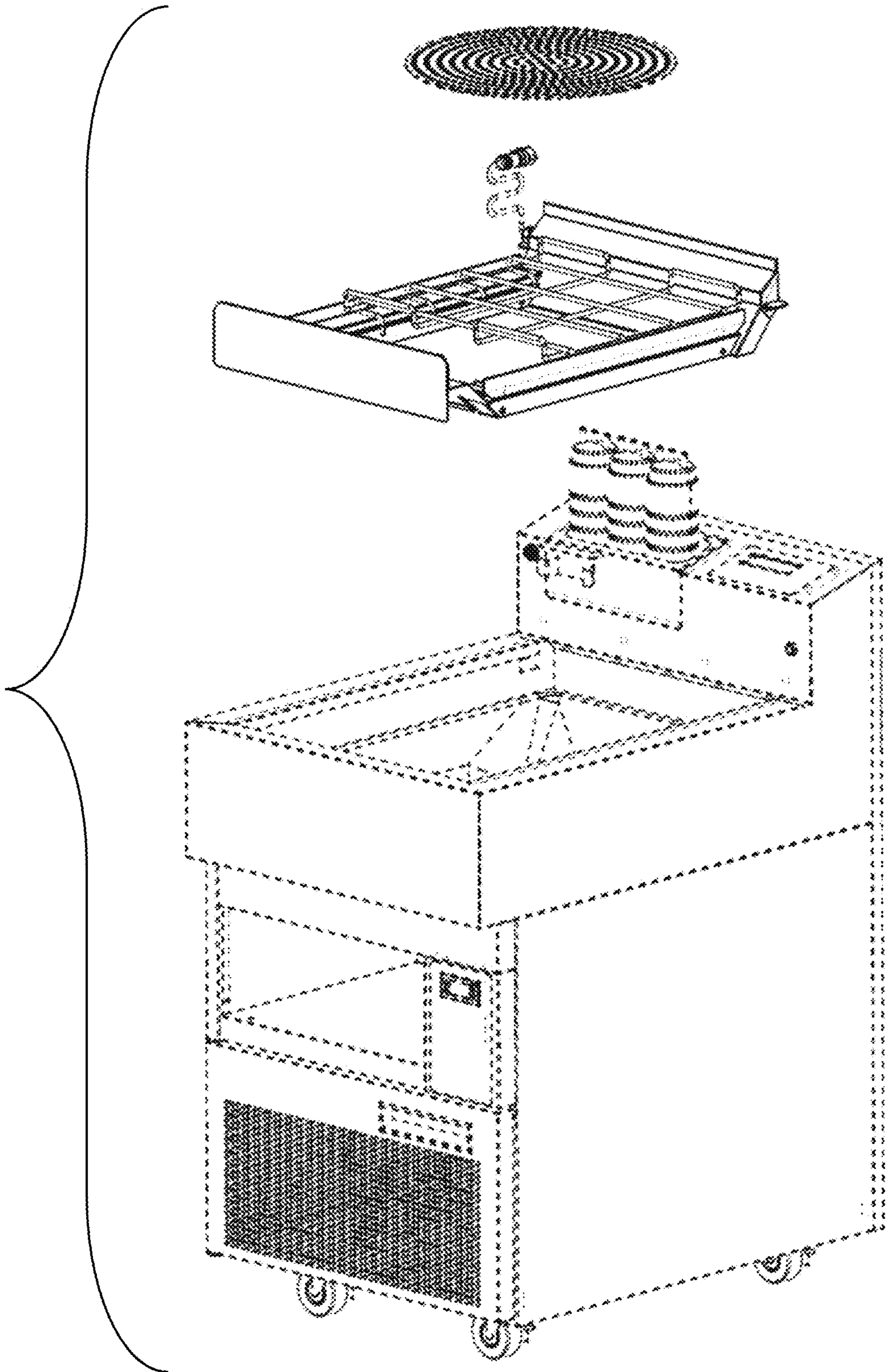


Fig. 12