



US00D960639S

(12) **United States Design Patent** (10) **Patent No.:** **US D960,639 S**
Huang (45) **Date of Patent:** **** Aug. 16, 2022**

- (54) **LID**
- (71) Applicant: **ARLO GLOBAL INC.**, Downers Grove, IL (US)
- (72) Inventor: **Yuyu Huang**, Downers Grove, IL (US)
- (73) Assignee: **ARLO GLOBAL INC.**, Downers Grove, IL (US)
- (**) Term: **15 Years**
- (21) Appl. No.: **29/816,138**
- (22) Filed: **Nov. 19, 2021**
- (51) **LOC (13) Cl.** **07-01**
- (52) **U.S. Cl.**
USPC **D7/392.1; D7/391**
- (58) **Field of Classification Search**
USPC D7/319, 323, 354–363, 391, 392.1, D7/393–396, 396.2, 511
CPC A47G 19/027; A47G 19/12; A47J 27/00; A47J 27/002; A47J 27/08; A47J 27/13; A47J 27/21; A47J 27/58; A47J 36/025; A47J 36/027; A47J 36/06; A47J 36/12; A47J 37/00; A47J 37/0704; A47J 37/10; A47J 37/101; A47J 37/103; A47J 37/12; A47J 37/1204; A47J 39/02; A47J 45/061; A47J 45/071; A47J 45/08; B65D 41/0407; H05B 6/12; H05B 6/804; H05B 6/6494
See application file for complete search history.

D922,137 S *	6/2021	Chen	D9/449
D944,052 S *	2/2022	Yao	D7/392.1
D945,210 S *	3/2022	Ni	D7/392.1
2016/0376061 A1 *	12/2016	Shirley	B65D 41/0407 215/228

OTHER PUBLICATIONS

Thermoflask Double Stainless Steel Insulated Water Bottle with Two Lids. Date First Available on Amazon.com May 16, 2019. <https://www.amazon.com/dp/B07S281DCM/ref> (Year: 2019).*

* cited by examiner

Primary Examiner — Ricky Pham

(57) **CLAIM**

The ornamental design for a lid, as shown and described.

DESCRIPTION

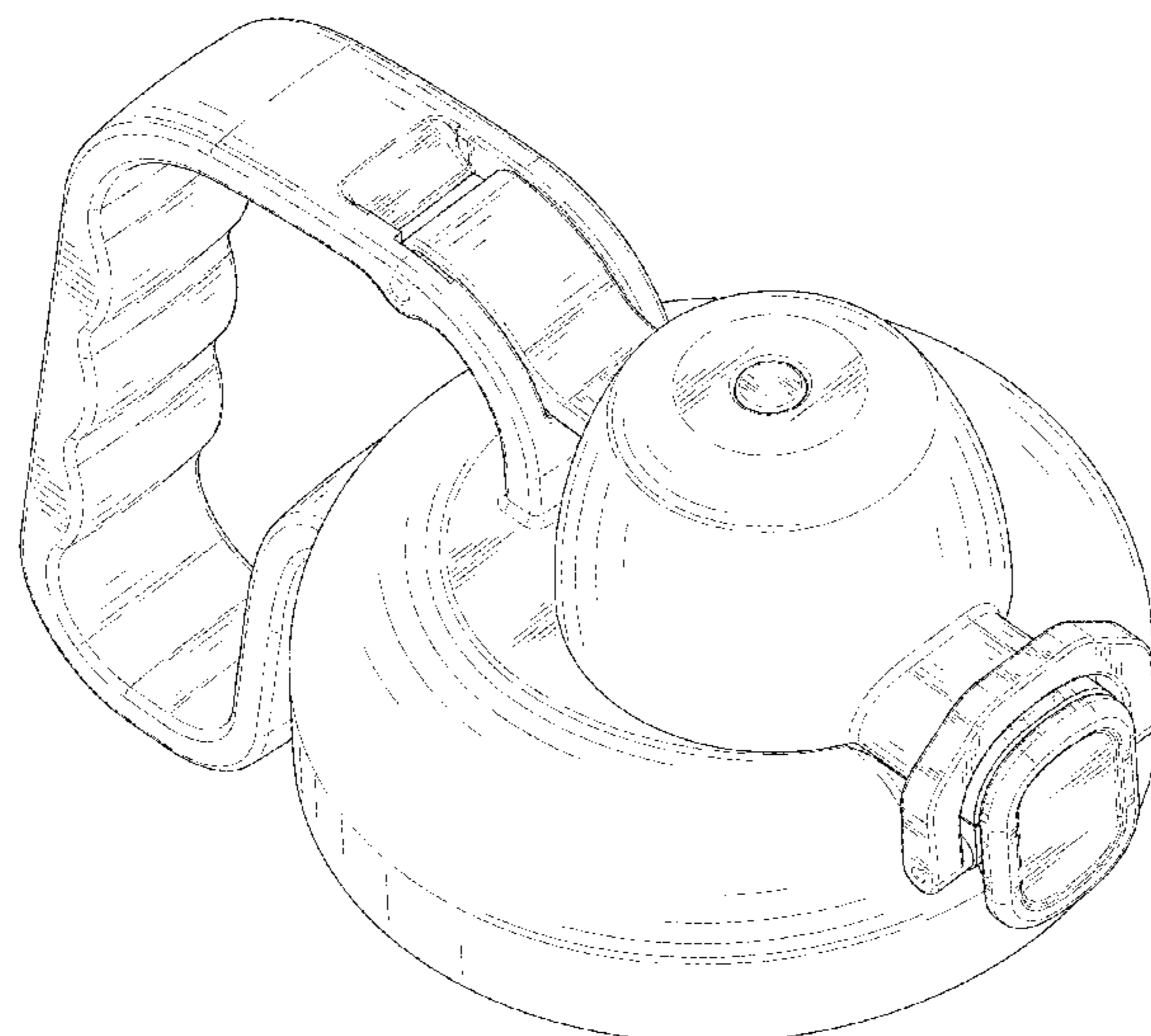
FIG. 1 is a perspective view of a first component of a lid, shown separately for ease of illustration; FIG. 2 is another perspective view thereof; FIG. 3 is a front elevational view thereof; FIG. 4 is a rear elevational view thereof; FIG. 5 is a left side elevational view thereof; FIG. 6 is a right side elevational view thereof; FIG. 7 is a top plan view thereof; FIG. 8 is a bottom plan view thereof; FIG. 9 is a perspective view of a second component of the lid, shown separately for ease of illustration; FIG. 10 is another perspective view thereof; FIG. 11 is a front elevational view thereof; FIG. 12 is a rear elevational view thereof; FIG. 13 is a left side elevational view thereof; FIG. 14 is a right side elevational view thereof; FIG. 15 is a top plan view thereof; FIG. 16 is a bottom plan view thereof; and, FIG. 17 is a perspective view of the lid. The broken lines in the drawings depict portions of the lid that form no part of the claimed design.

1 Claim, 17 Drawing Sheets

(56) **References Cited**

U.S. PATENT DOCUMENTS

D389,005 S *	1/1998	Brady	D7/319
D820,635 S *	6/2018	Hammer	D7/392.1
D889,198 S *	7/2020	Shepard	D9/449
D894,669 S *	9/2020	Lane	D7/392.1
D914,456 S *	3/2021	Lin	D7/511
D917,953 S	5/2021	Yao		
D922,136 S	6/2021	Lin et al.		



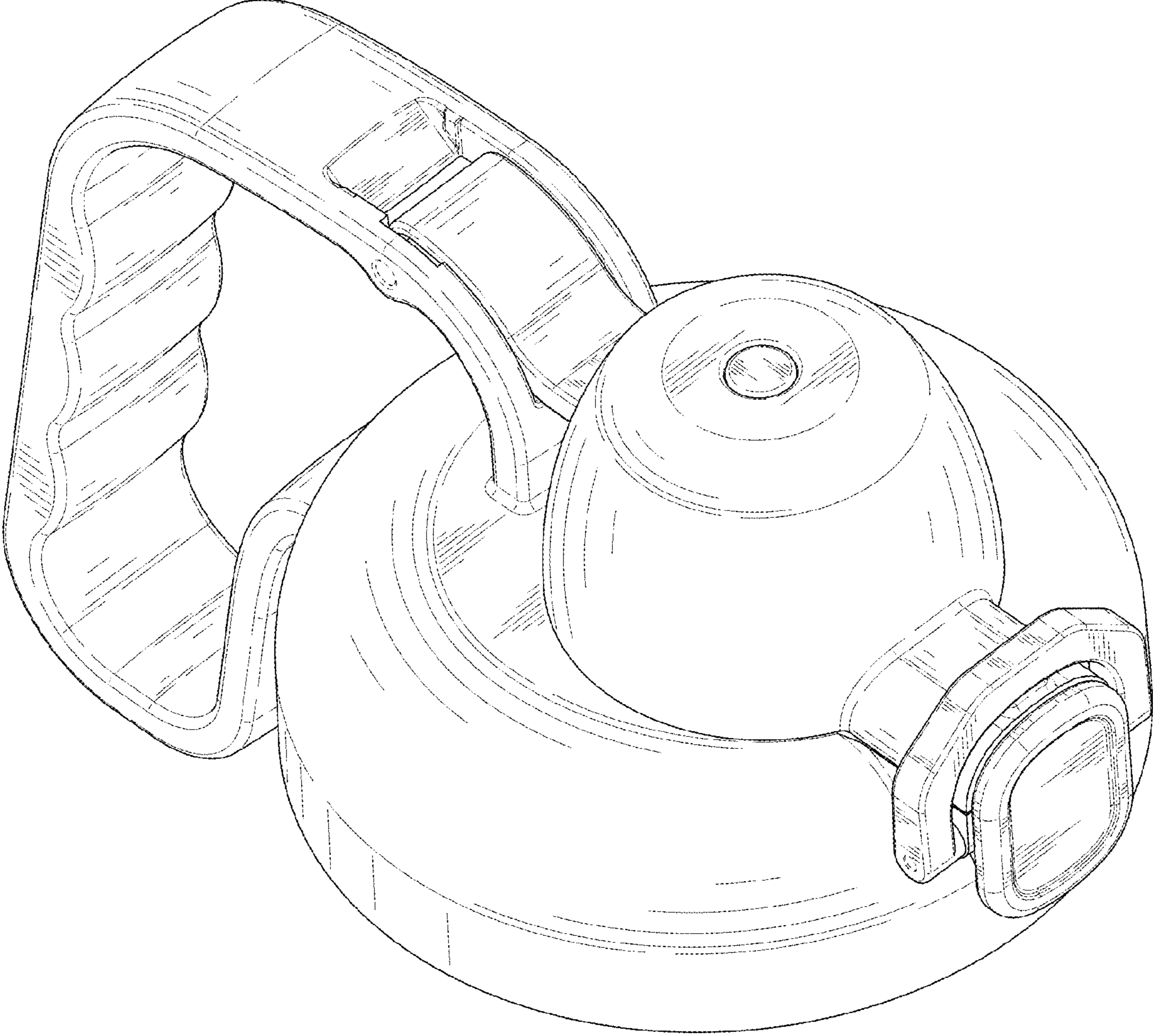


FIG. 1

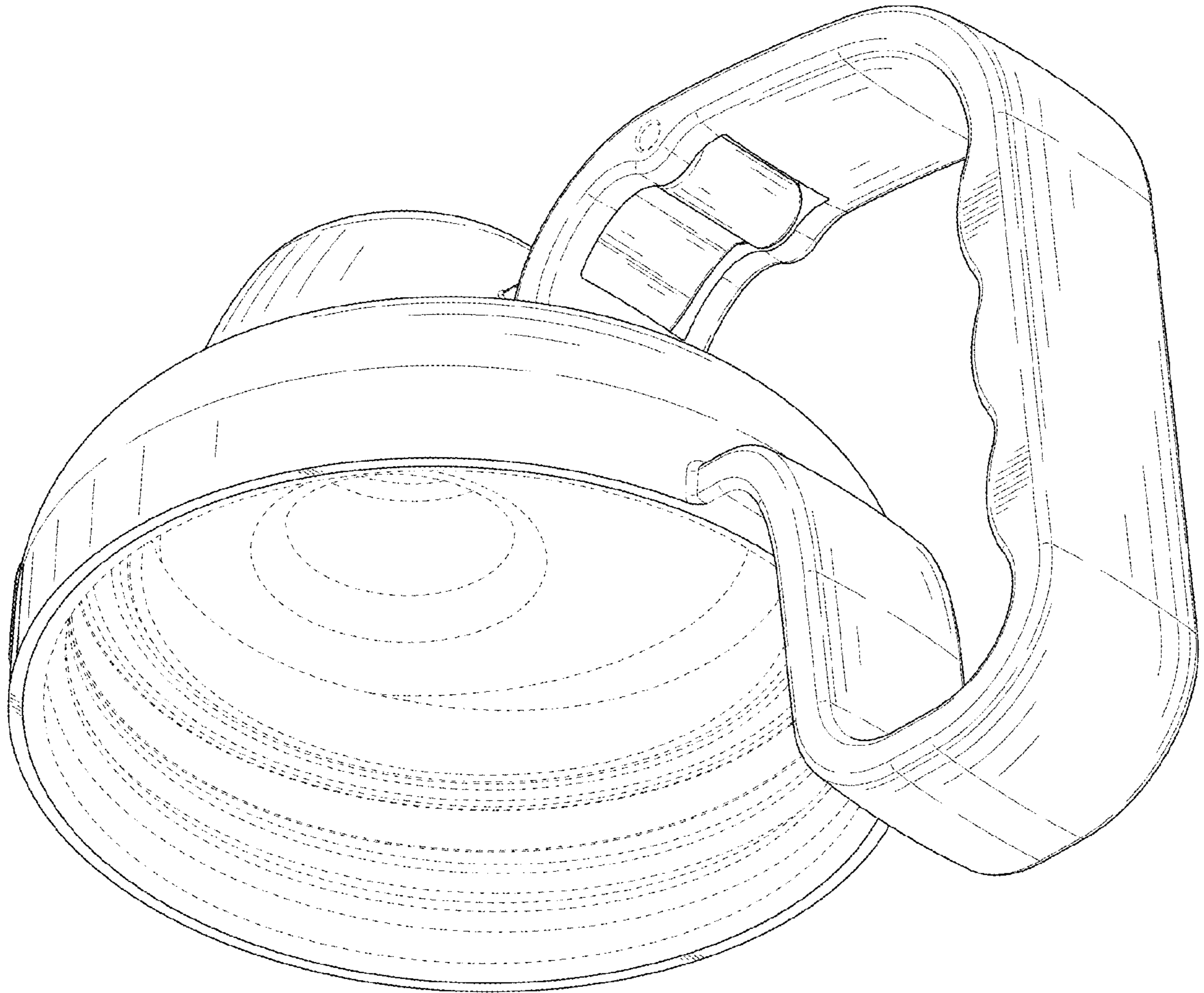


FIG. 2

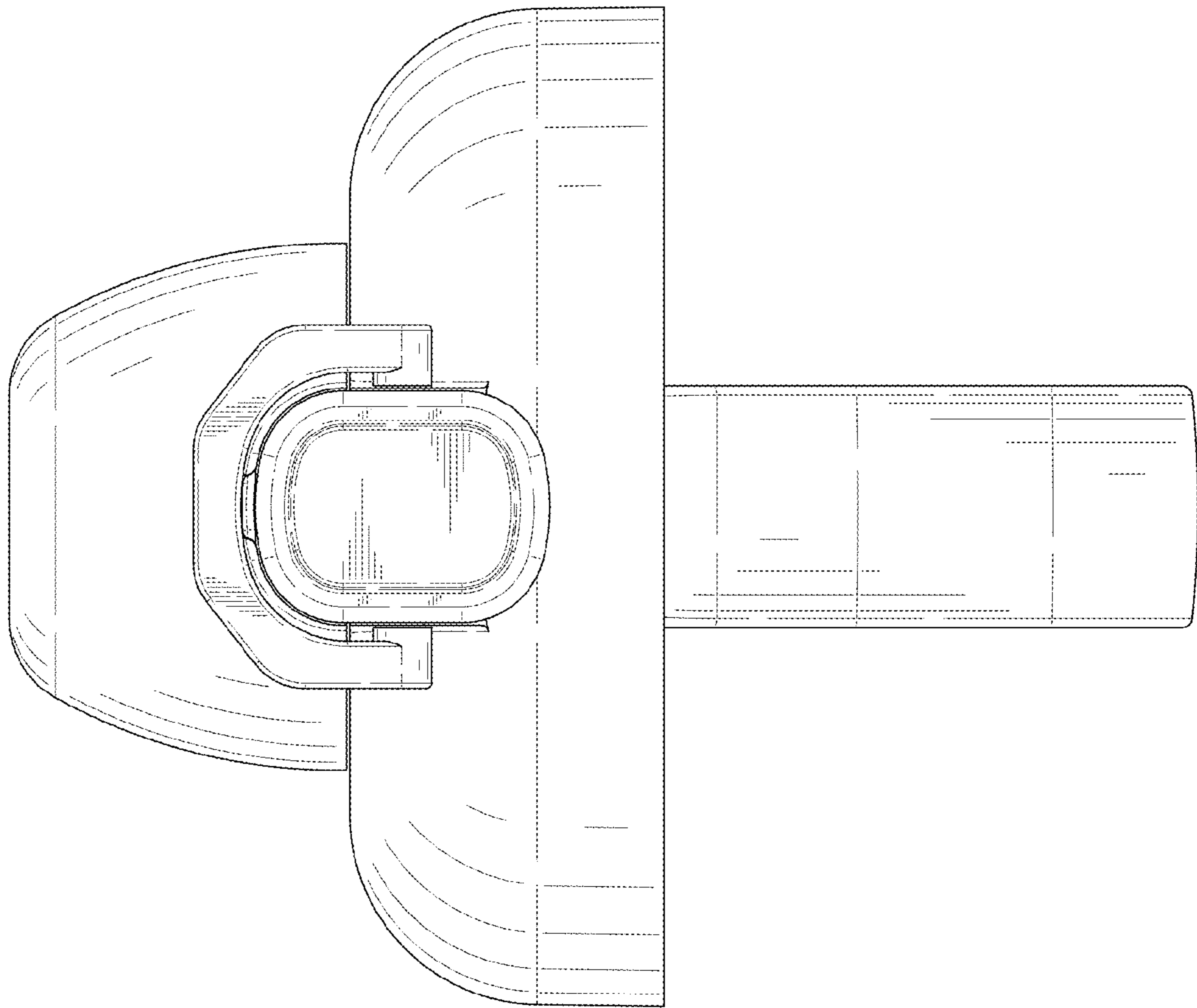


FIG. 3

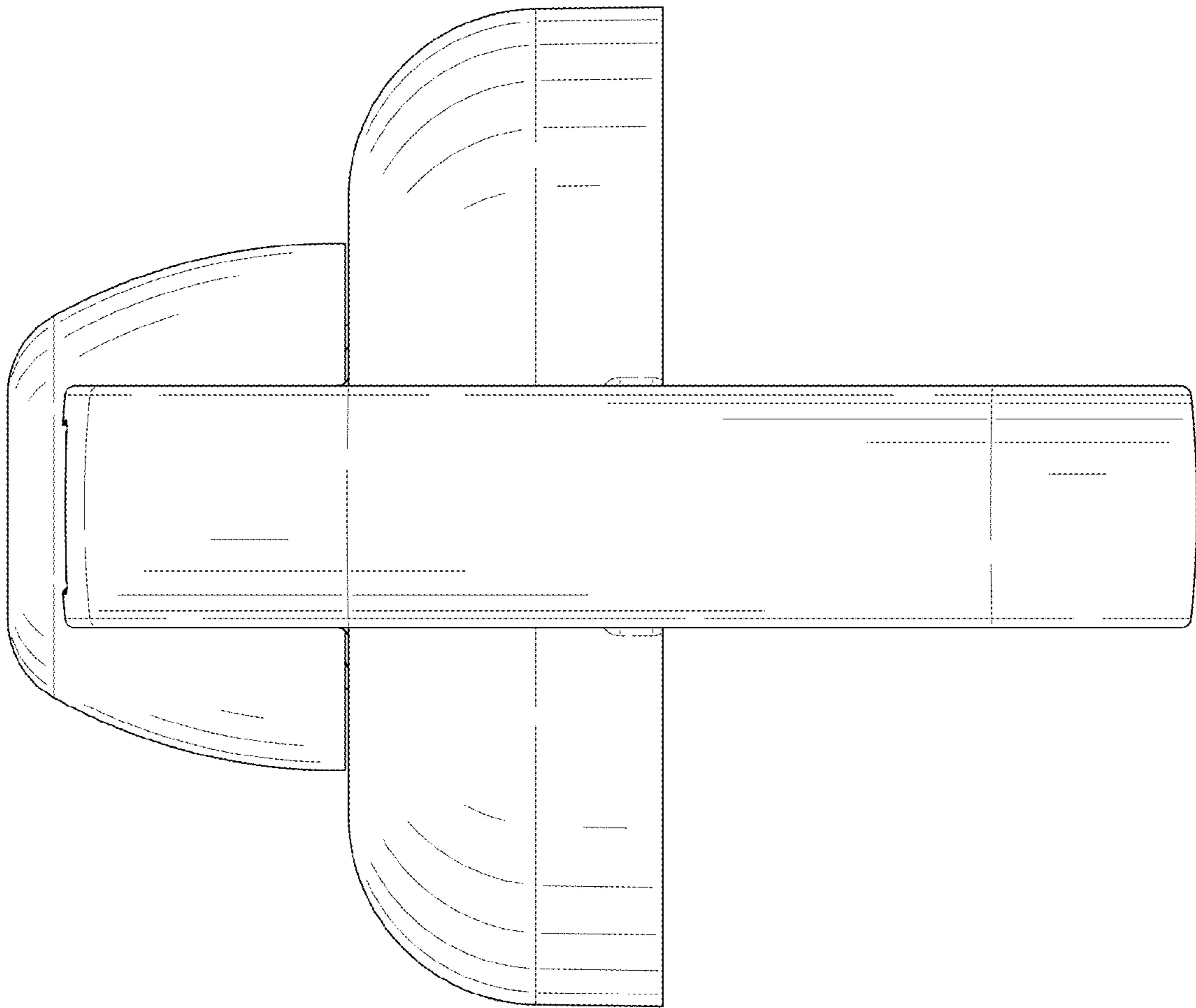


FIG. 4

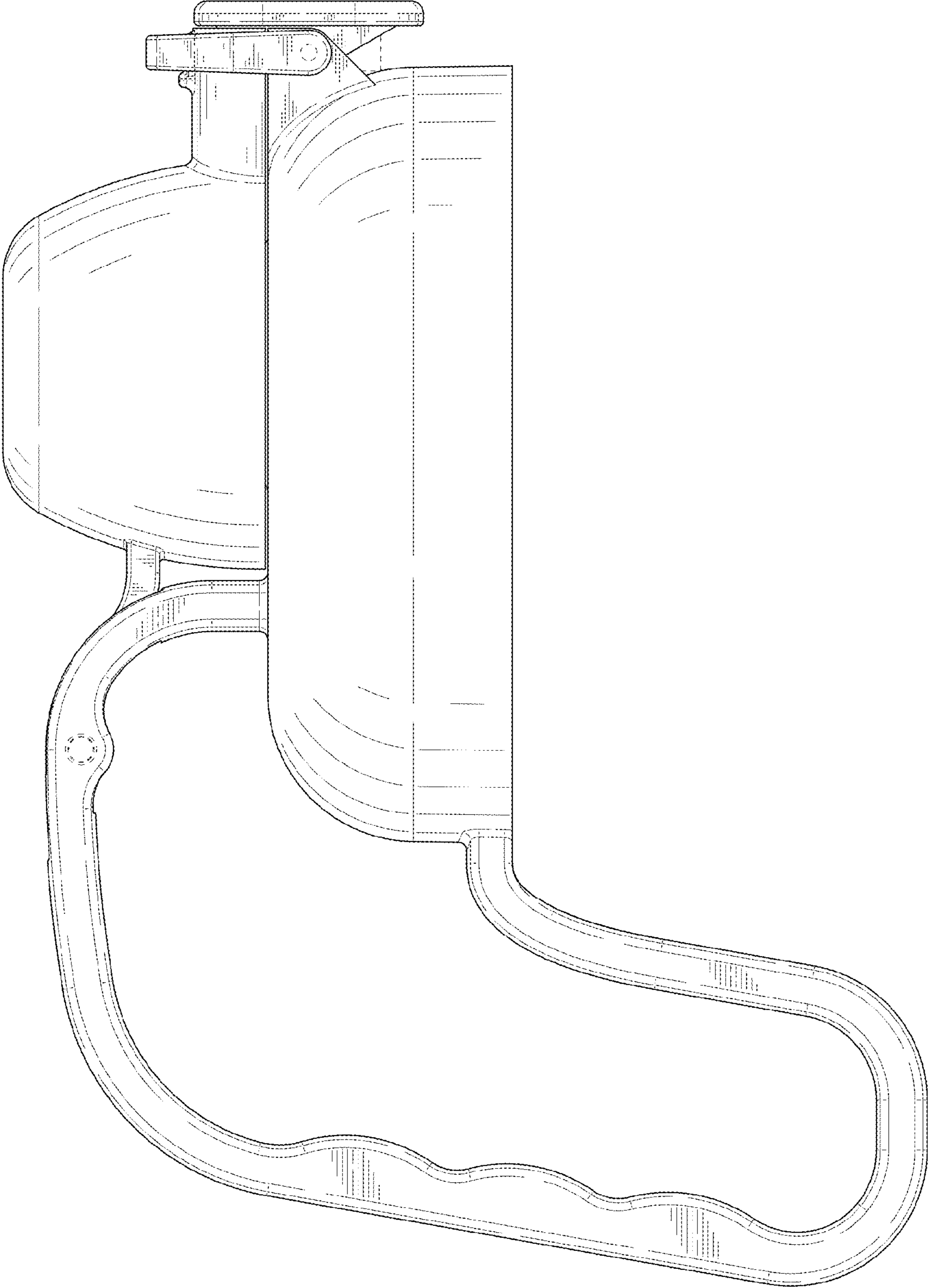


FIG. 5

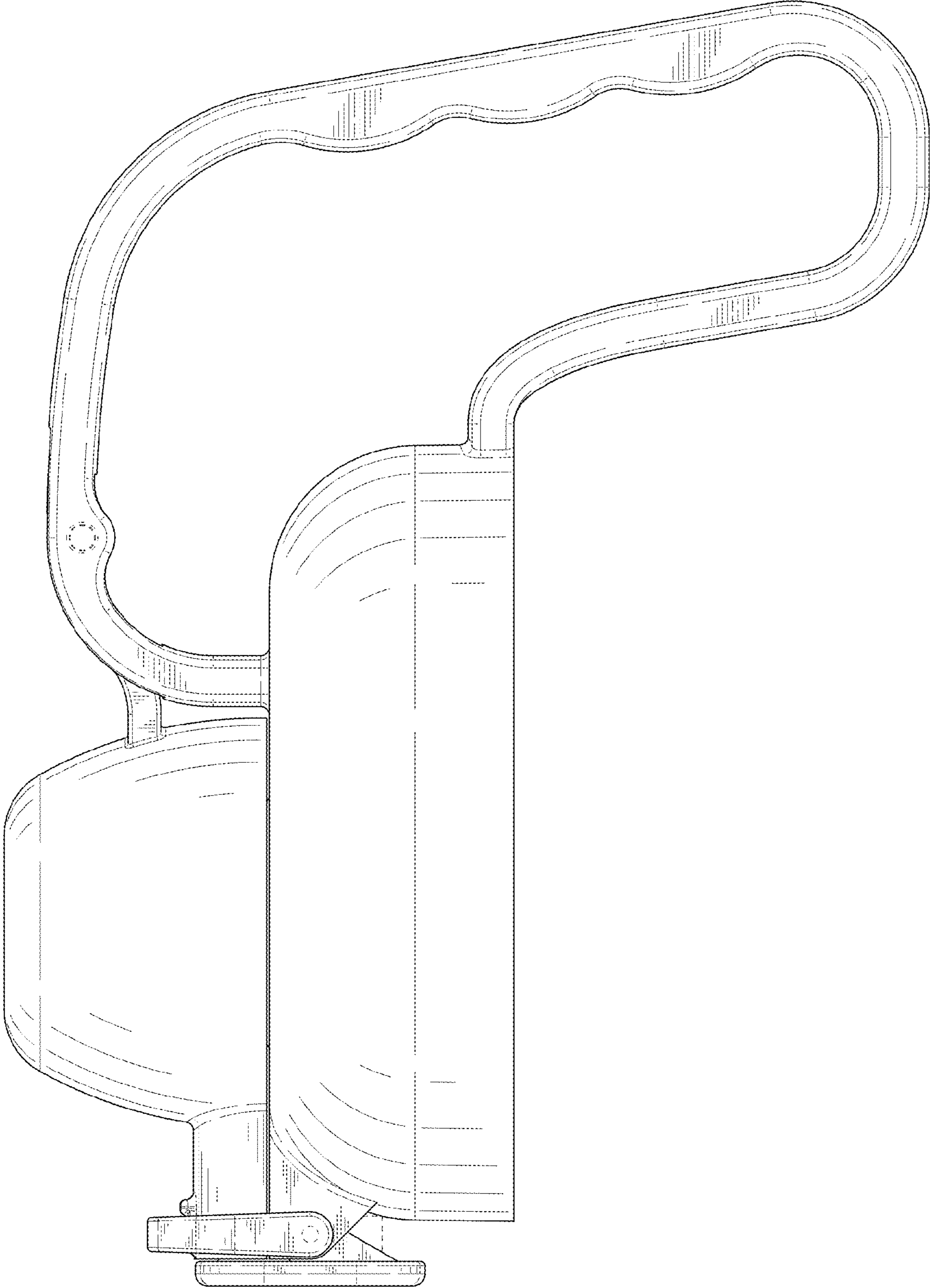


FIG. 6

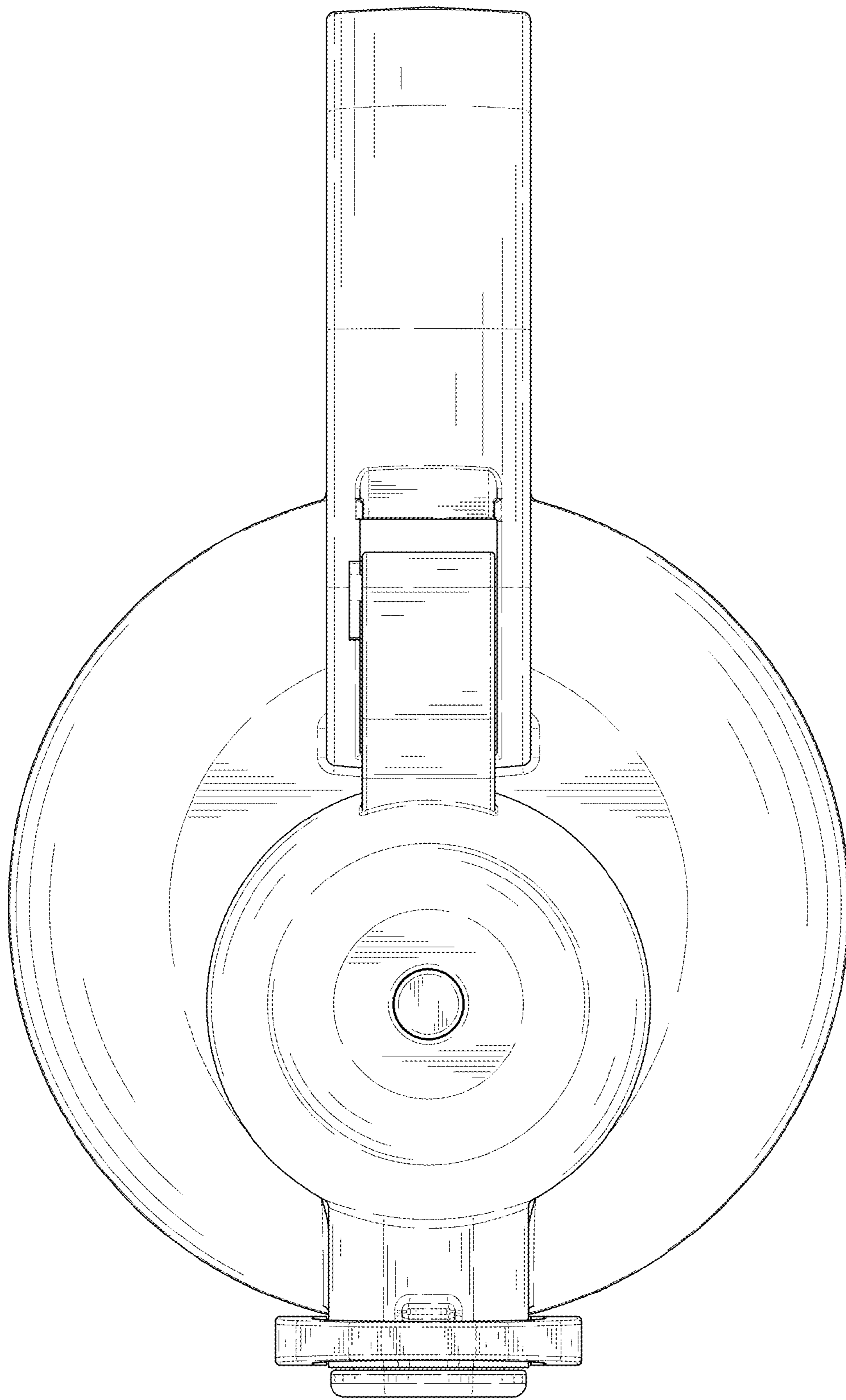


FIG. 7

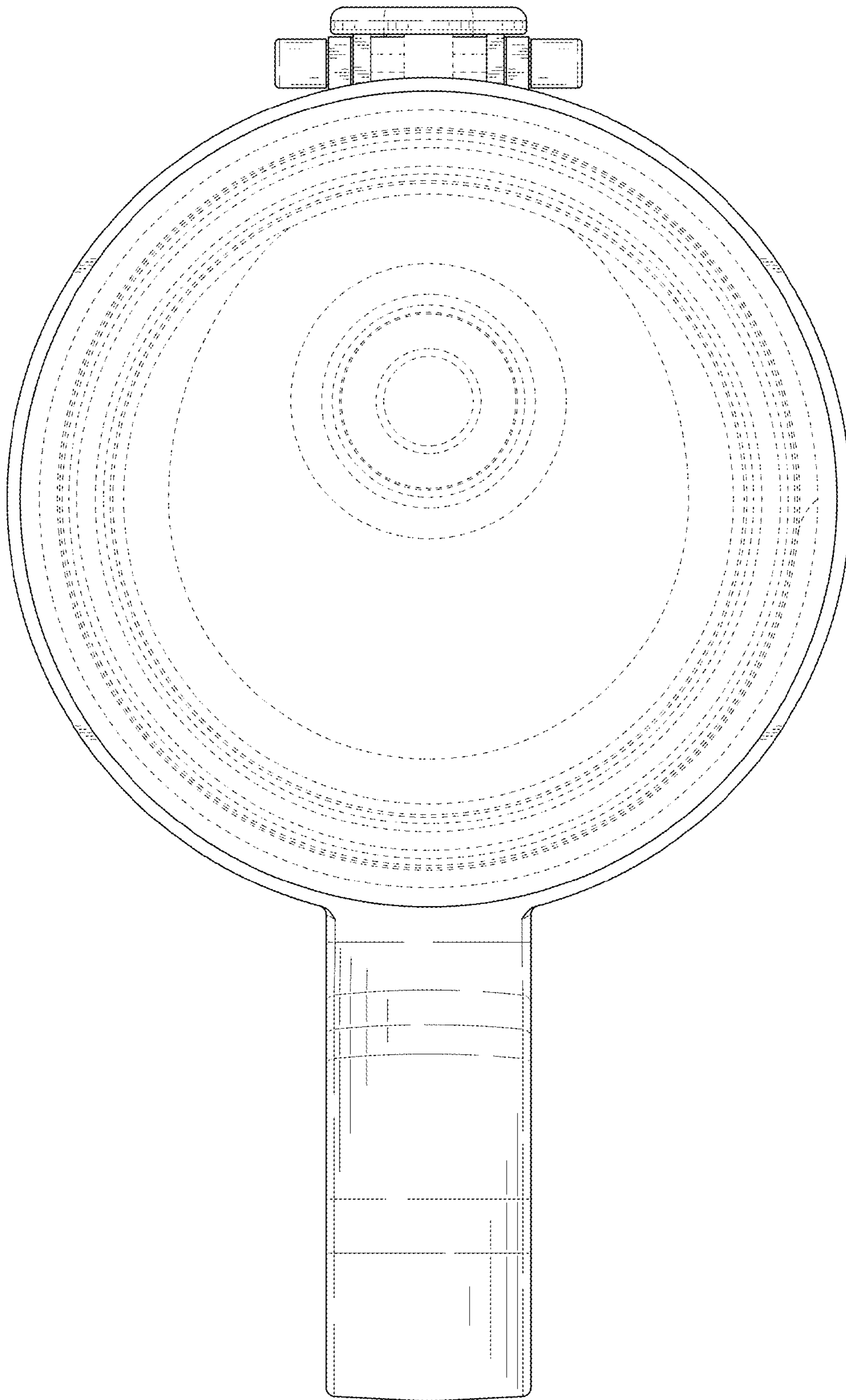


FIG. 8

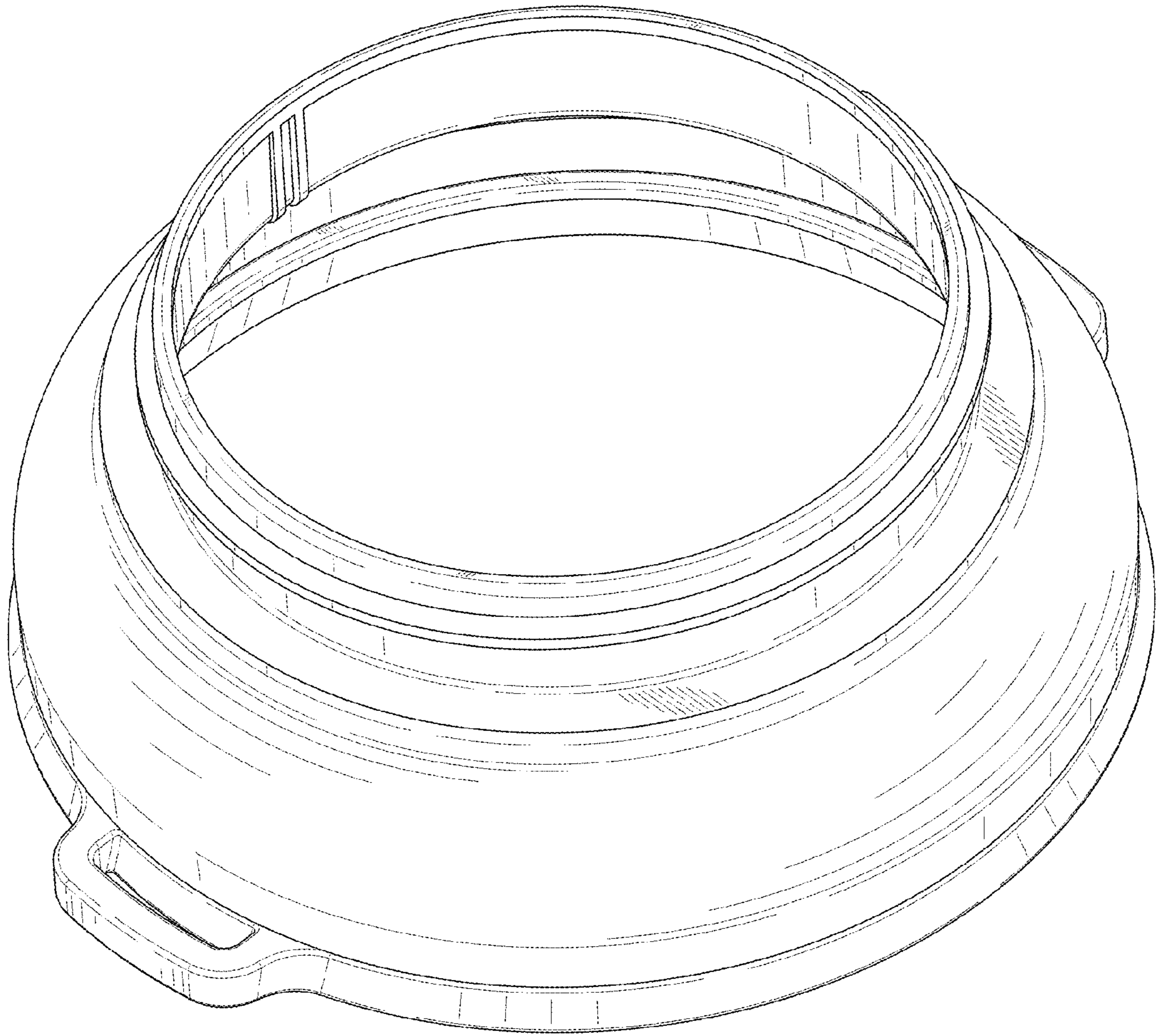


FIG. 9

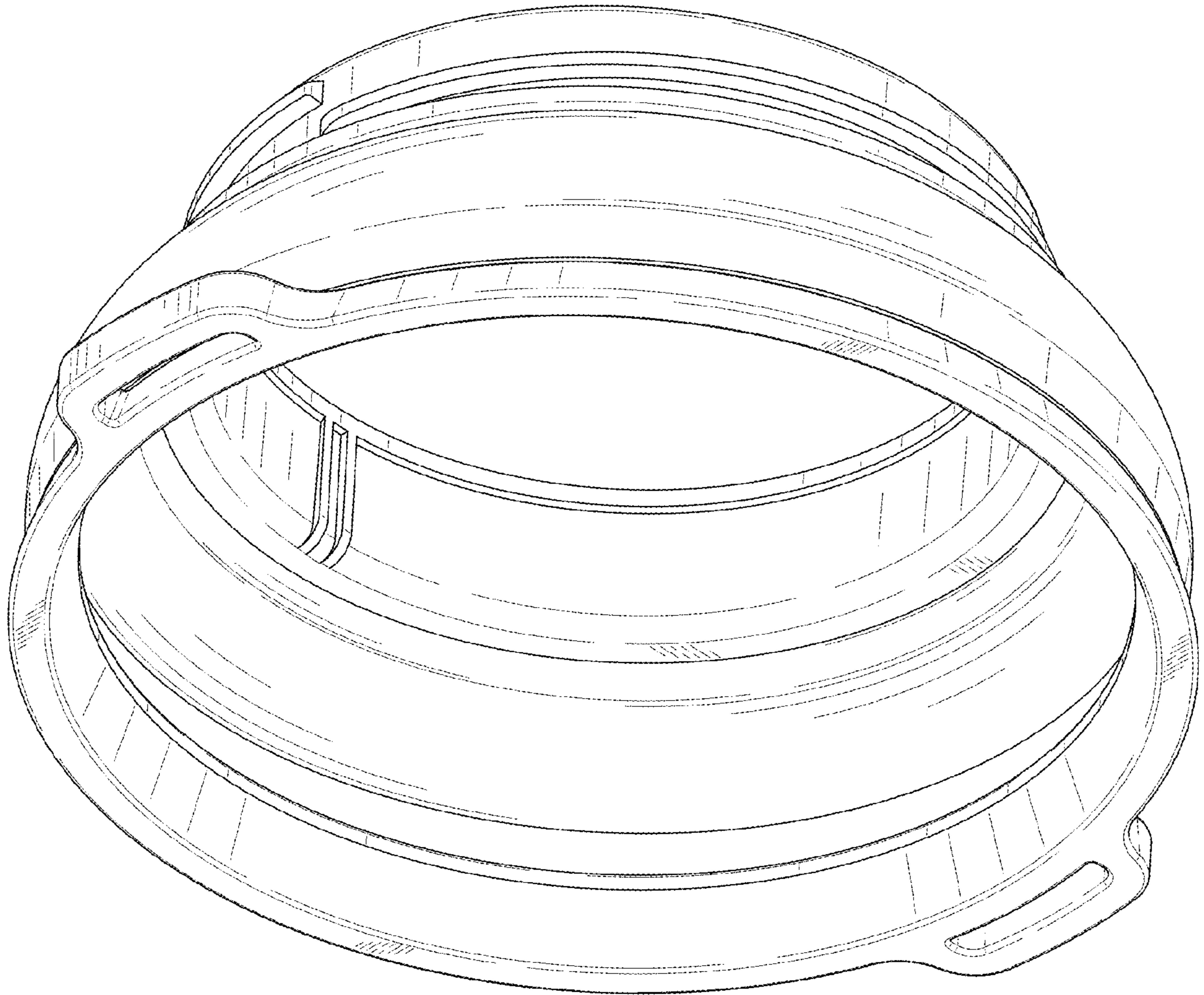


FIG. 10

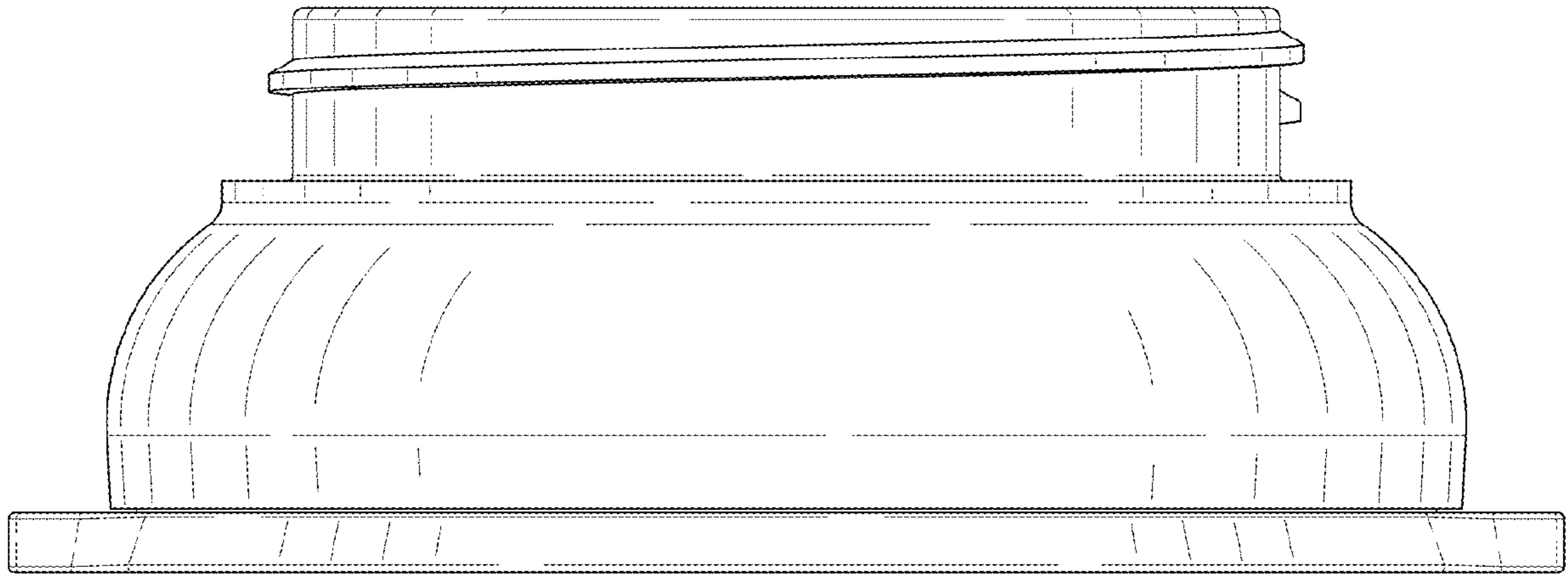


FIG. 11

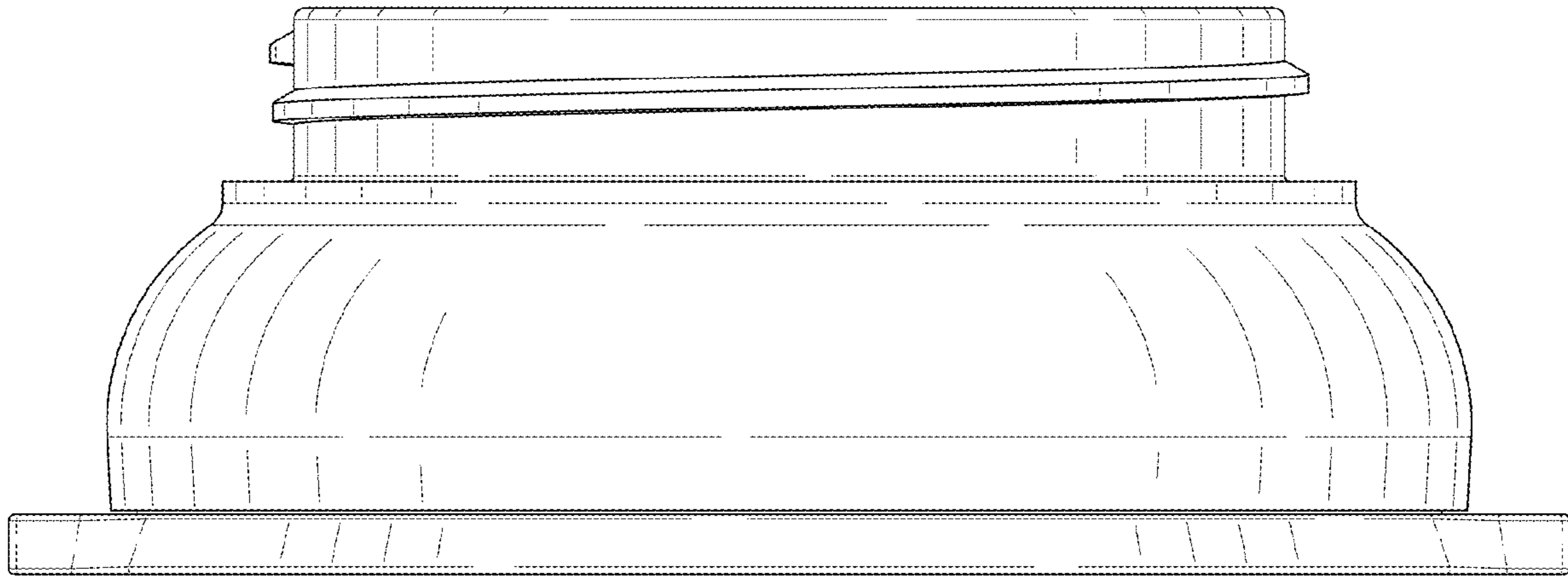


FIG. 12

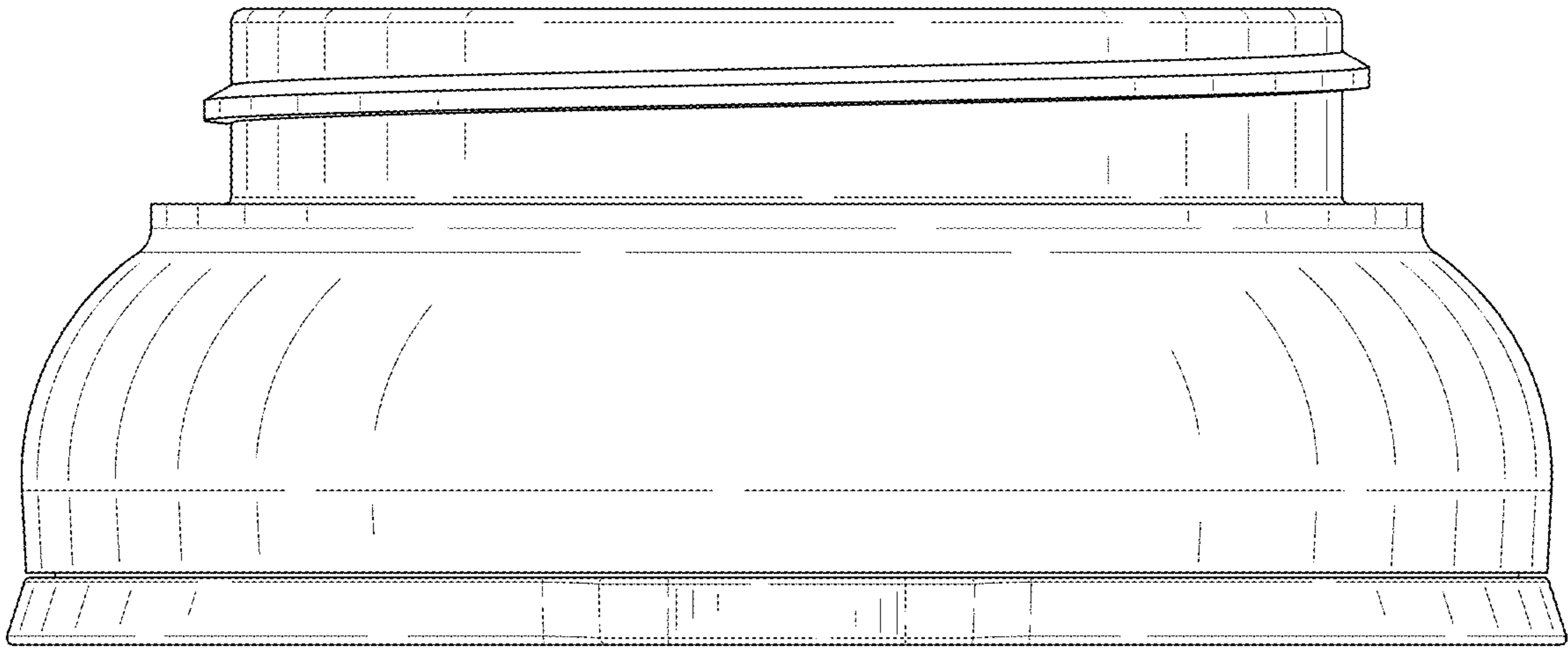


FIG. 13

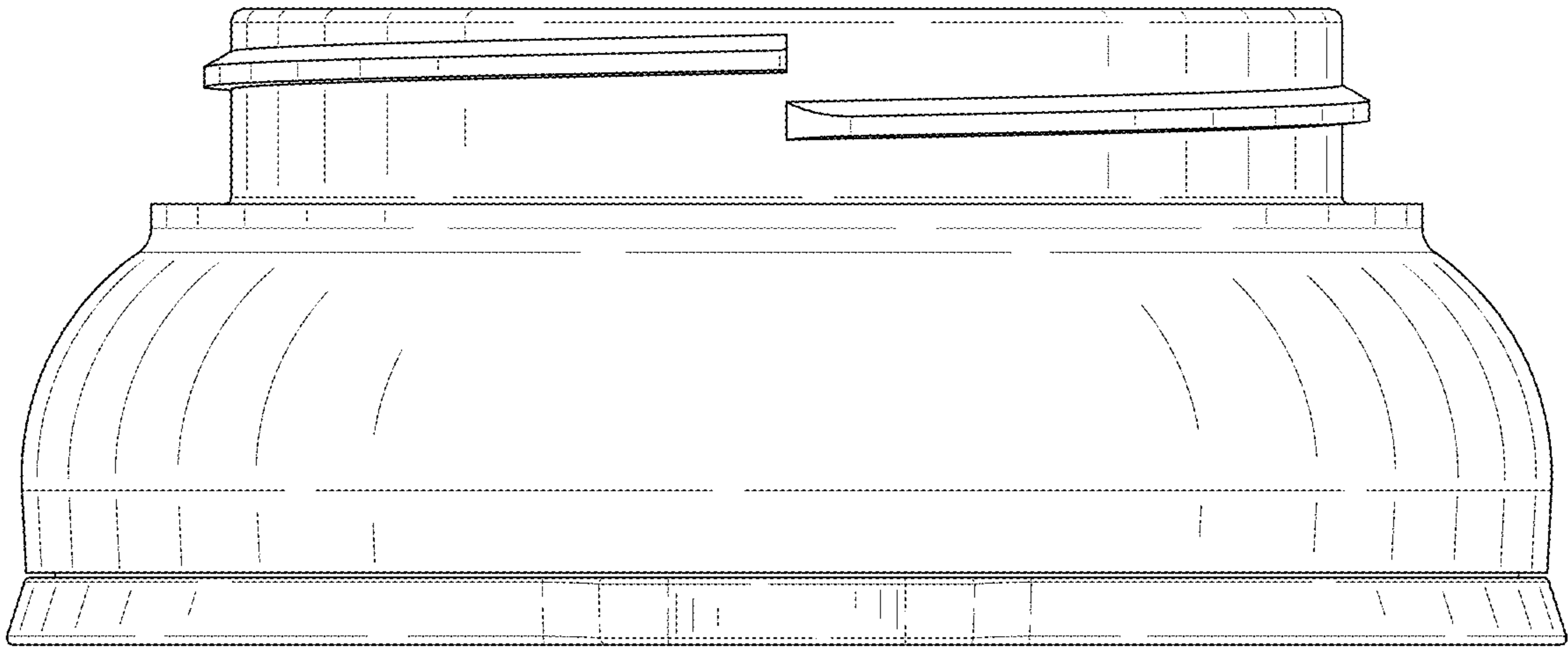


FIG. 14

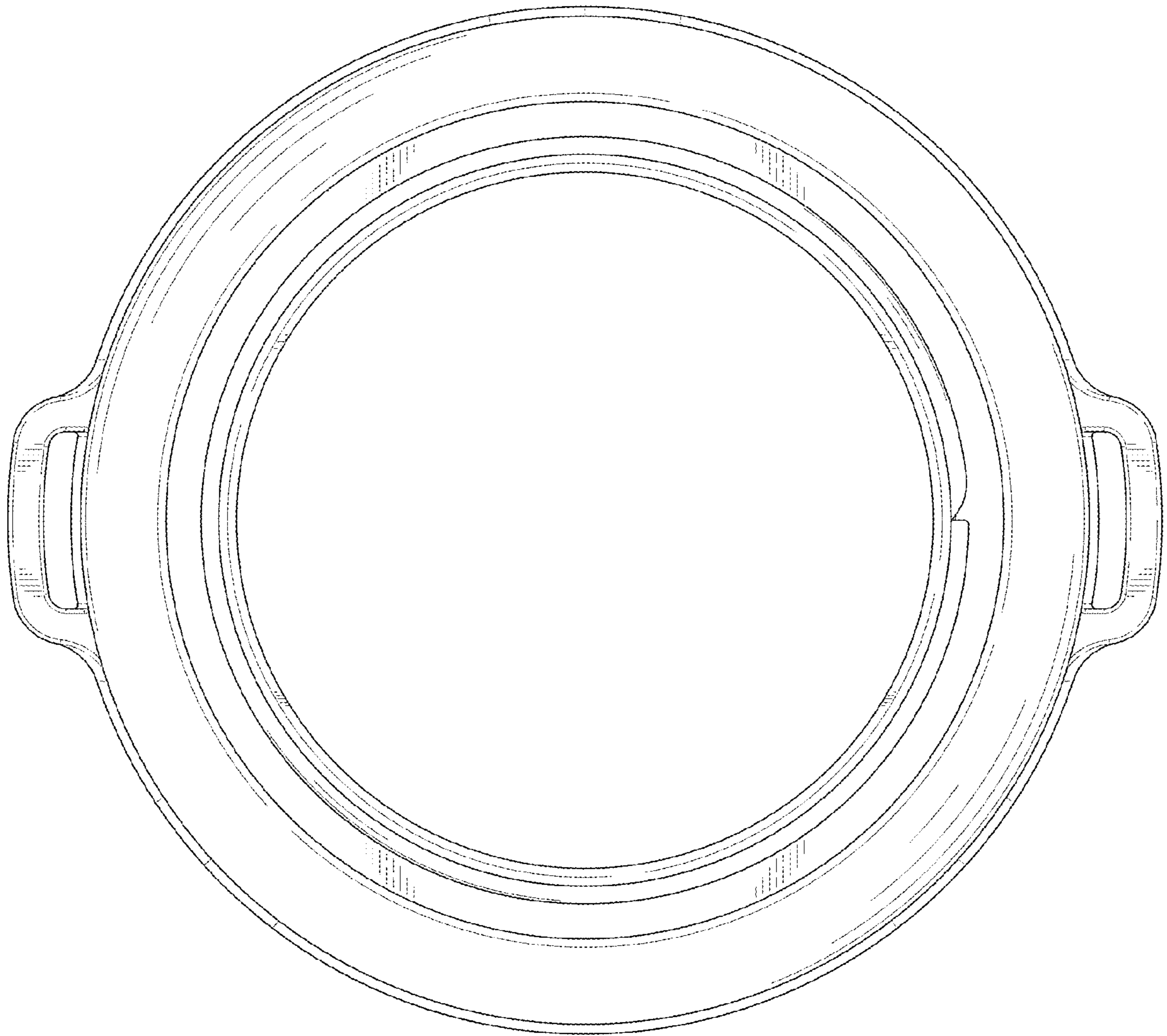


FIG. 15

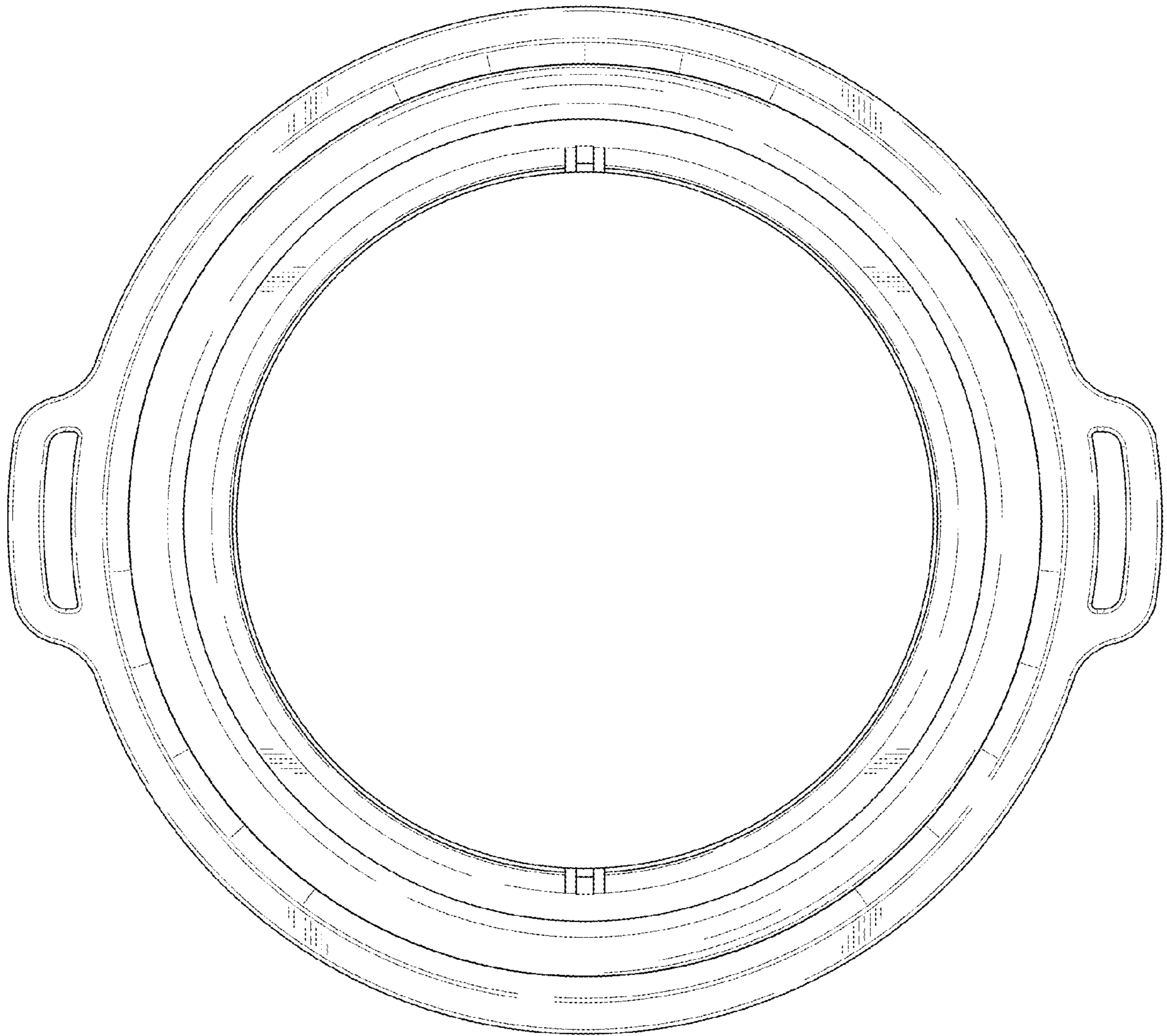


FIG. 16

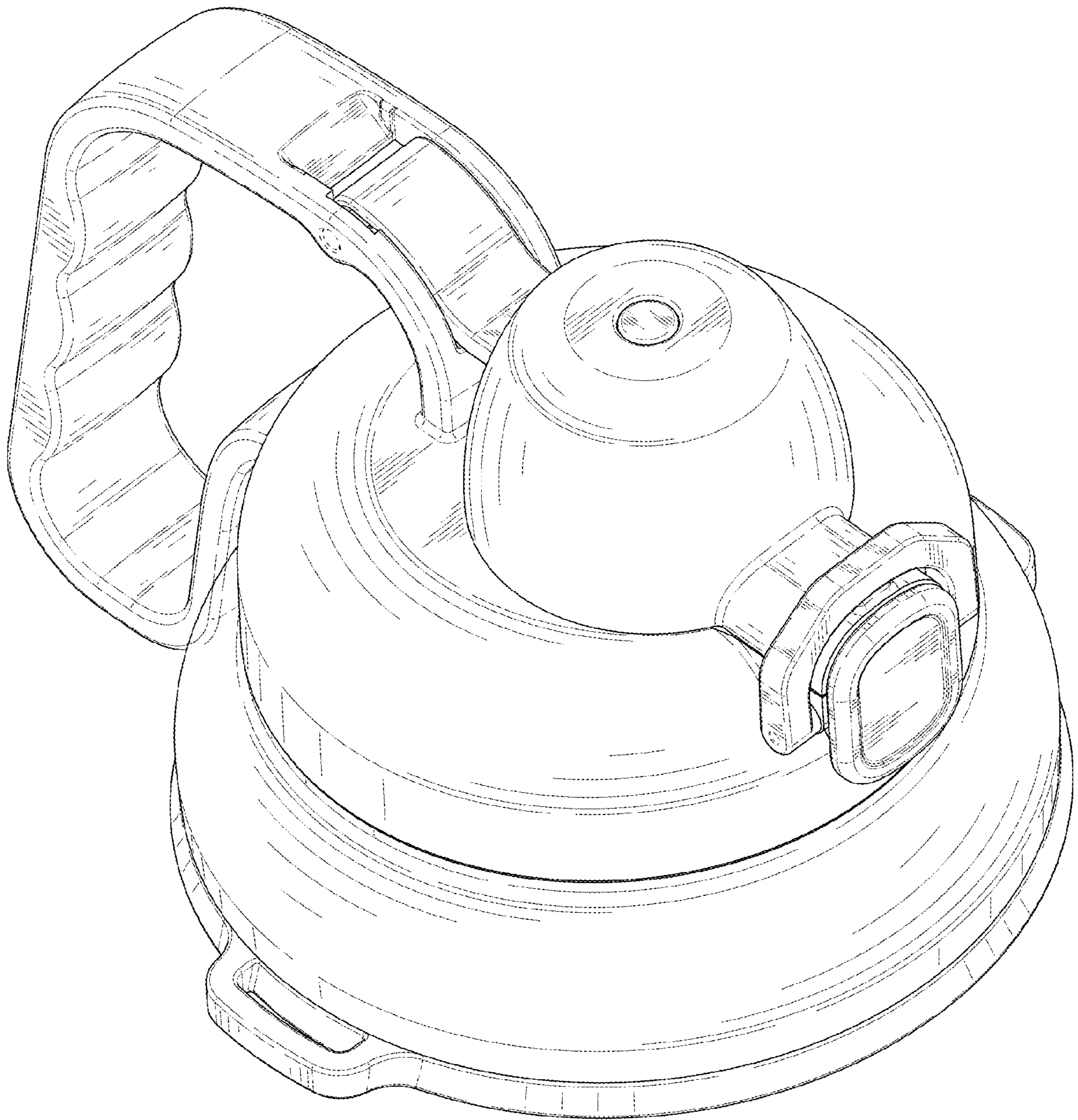


FIG. 17