



US00D960638S

(12) **United States Design Patent**
Huang

(10) **Patent No.:** **US D960,638 S**

(45) **Date of Patent:** **** Aug. 16, 2022**

- (54) **LID**
- (71) Applicant: **ARLO GLOBAL INC.**, Downers Grove, IL (US)
- (72) Inventor: **Yuyu Huang**, Downers Grove, IL (US)
- (73) Assignee: **ARLO GLOBAL INC.**, Downers Grove, IL (US)

D889,198 S *	7/2020	Shepard	D9/449
D889,199 S *	7/2020	Shepard	D7/396.2
D892,557 S *	8/2020	Wang	D7/510
D894,669 S *	9/2020	Lane	D7/392.1
D896,077 S *	9/2020	Matusek	D9/449
D909,815 S *	2/2021	Gui	D7/533
D917,953 S	5/2021	Yao		
D922,136 S	6/2021	Lin et al.		
D944,052 S *	2/2022	Yao	D7/392.1
D951,698 S *	5/2022	Dean	D7/392.1

(**) Term: **15 Years**

(21) Appl. No.: **29/816,137**

(22) Filed: **Nov. 19, 2021**

(51) **LOC (13) Cl.** **07-01**

(52) **U.S. Cl.**
USPC **D7/392.1; D7/391**

(58) **Field of Classification Search**
 USPC D7/319, 323, 354-363, 391, 392, 392.1, D7/393-396, 396.2, 510, 511; D9/440
 CPC A47G 19/027; A47G 19/12; A47J 27/00; A47J 27/002; A47J 27/08; A47J 27/13; A47J 27/21; A47J 27/58; A47J 36/025; A47J 36/027; A47J 36/06; A47J 36/12; A47J 37/00; A47J 37/0704; A47J 37/10; A47J 37/101; A47J 37/103; A47J 37/12; A47J 37/1204; A47J 39/02; A47J 45/061; A47J 45/071; A47J 45/08; B65D 41/0407; H05B 6/12; H05B 6/804; H05B 6/6494

See application file for complete search history.

(56) **References Cited**

U.S. PATENT DOCUMENTS

D632,521 S *	2/2011	Wahl	D7/392.1
D836,387 S *	12/2018	Silsby	D7/392.1

OTHER PUBLICATIONS

Sports Water Bottle—Milton Kids Drink Bottle. Date First Available on Amazon.com May 2, 2019. <https://www.amazon.com/Milton-Reusable-Leakproof-Plastic-Carrier/dp/B07RDXVNGR/ref> (Year: 2019).*

* cited by examiner

Primary Examiner — Ricky Pham

(57) **CLAIM**

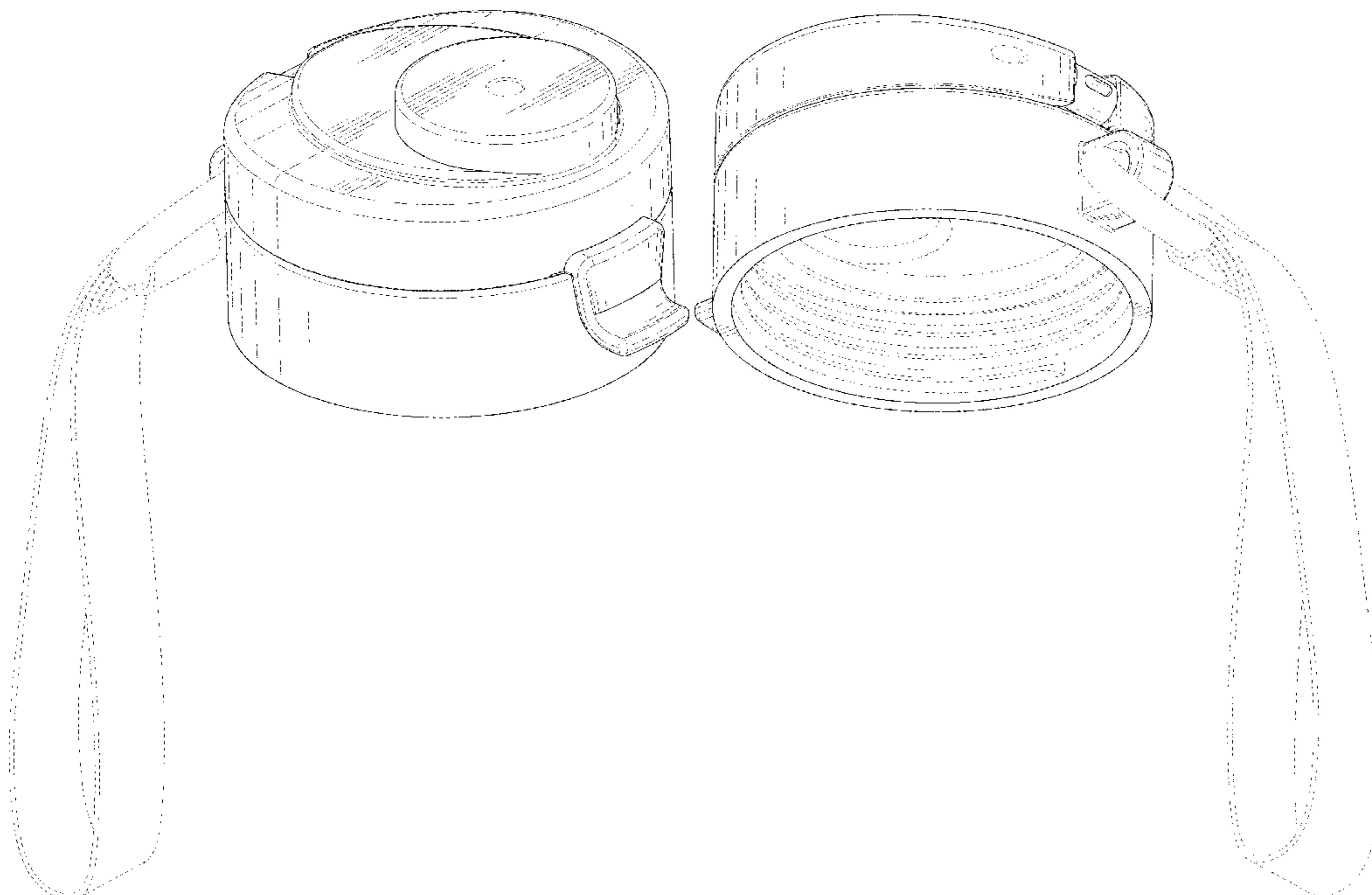
The ornamental design for a lid, as shown and described.

DESCRIPTION

FIG. 1 is a perspective view of a lid showing my new design; FIG. 2 is another perspective view thereof; FIG. 3 is a front elevational view thereof; FIG. 4 is a rear elevational view thereof; FIG. 5 is a left side elevational view thereof; FIG. 6 is a right side elevational view thereof; FIG. 7 is a top plan view thereof; and, FIG. 8 is a bottom plan view thereof.

The broken lines in the drawings depict portions of the lid that form no part of the claimed design.

1 Claim, 8 Drawing Sheets



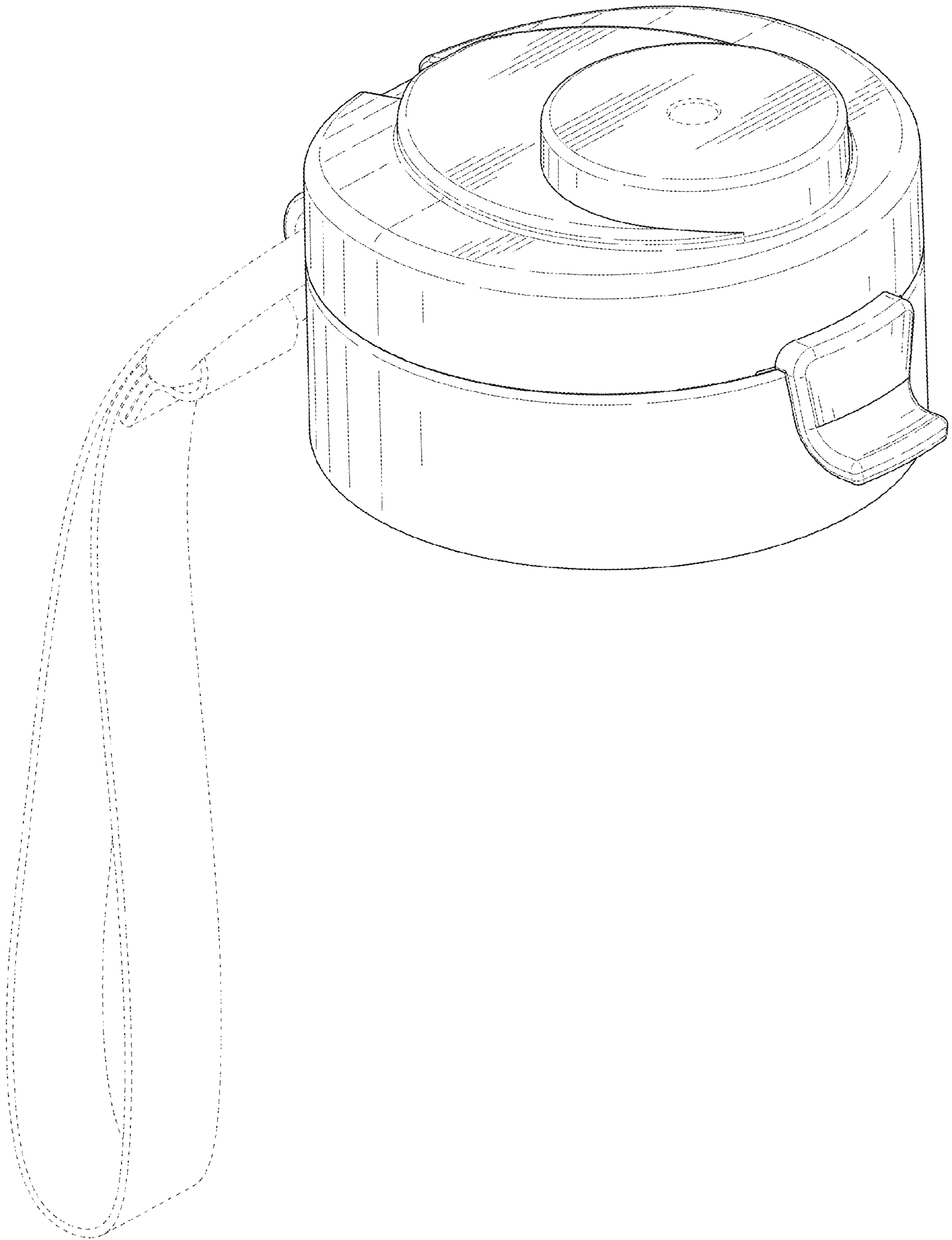


FIG. 1

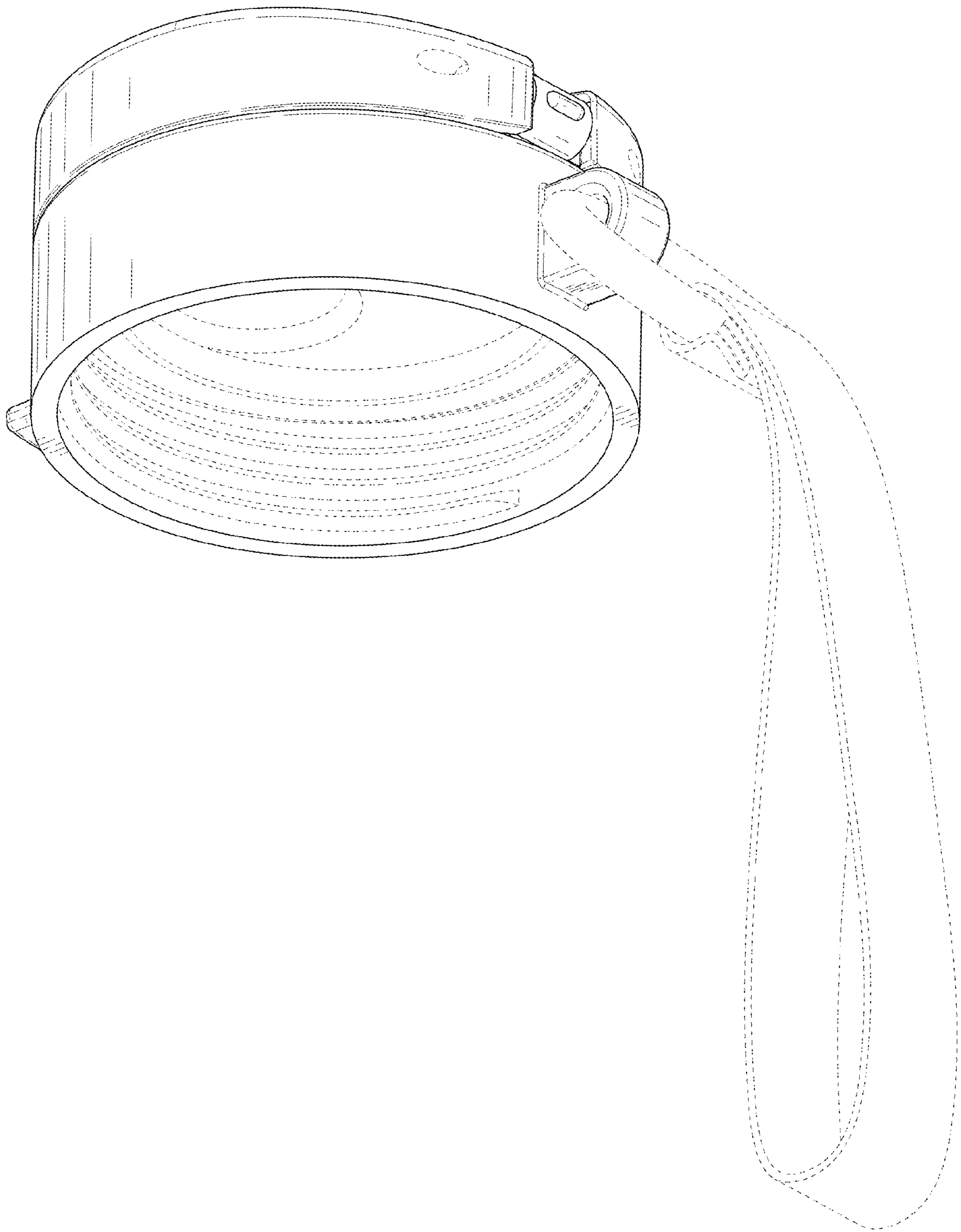


FIG. 2

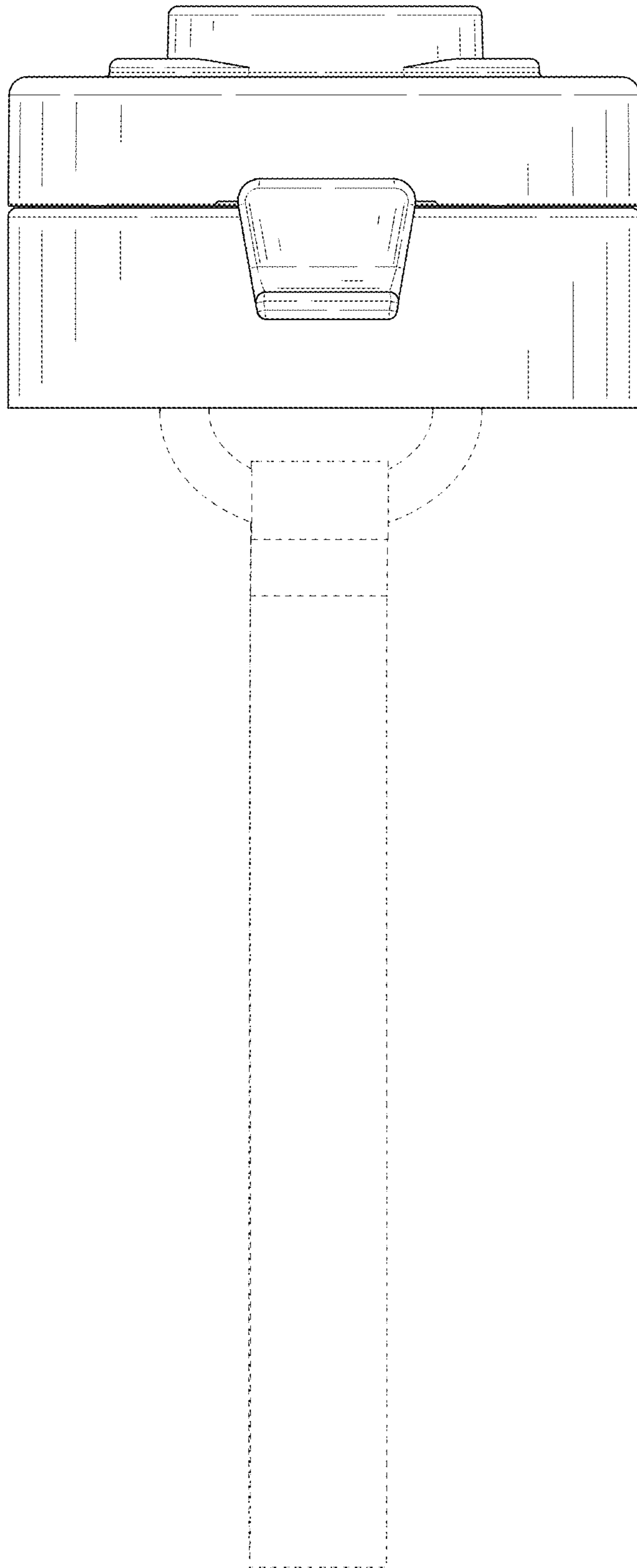


FIG. 3

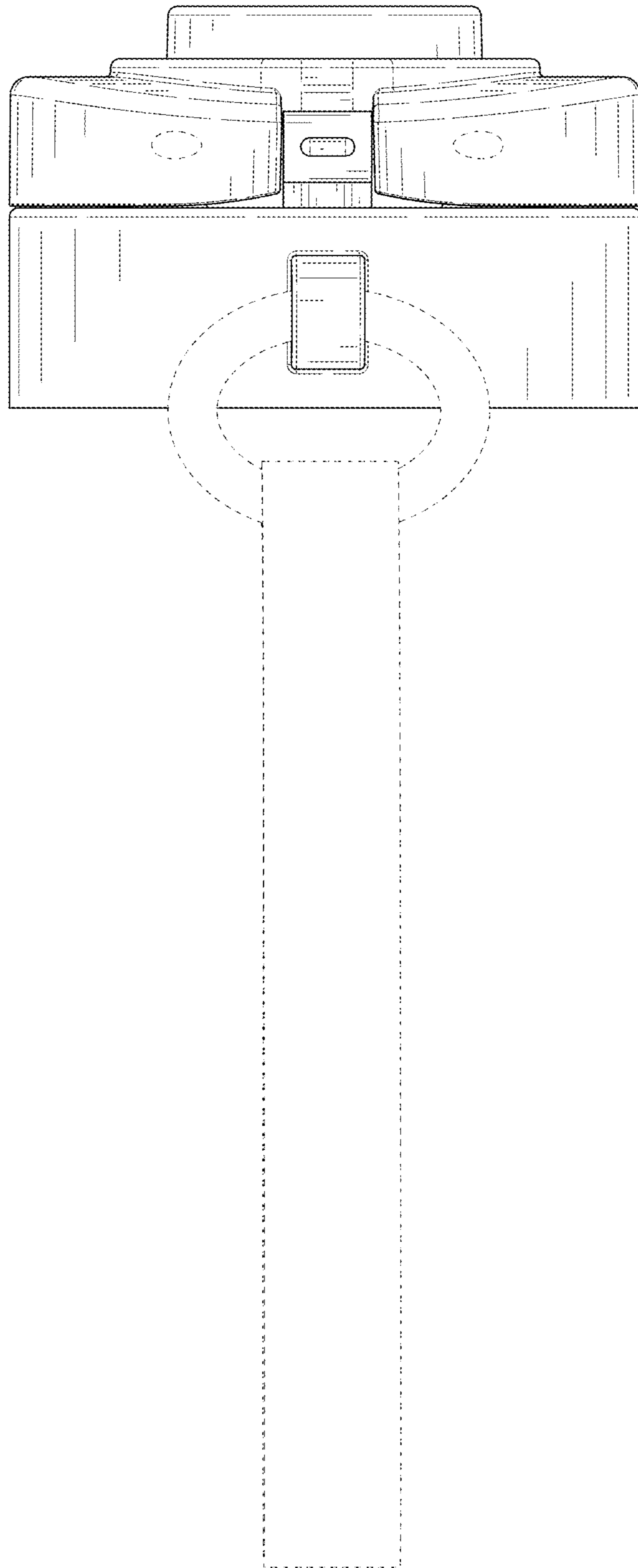


FIG. 4

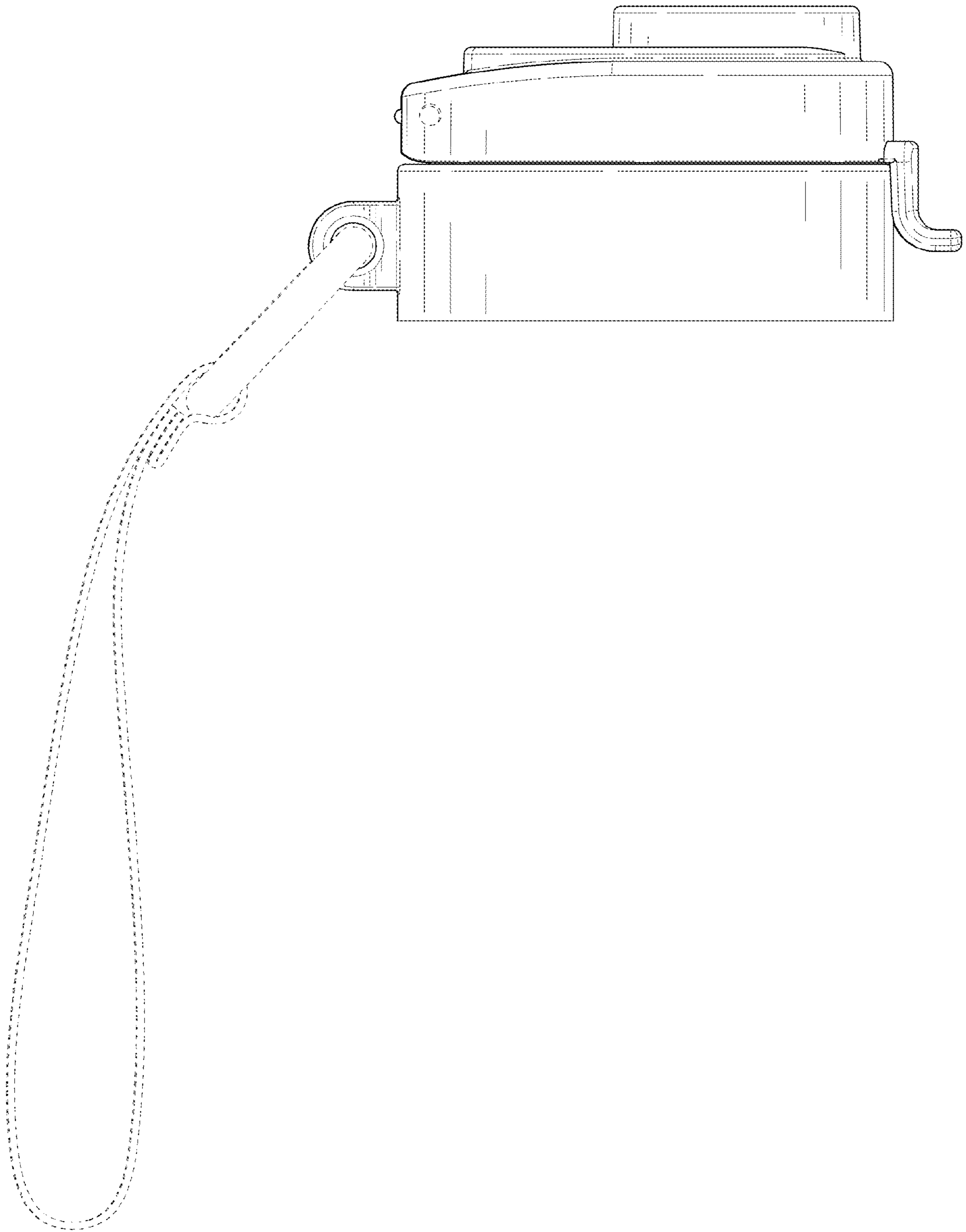


FIG. 5

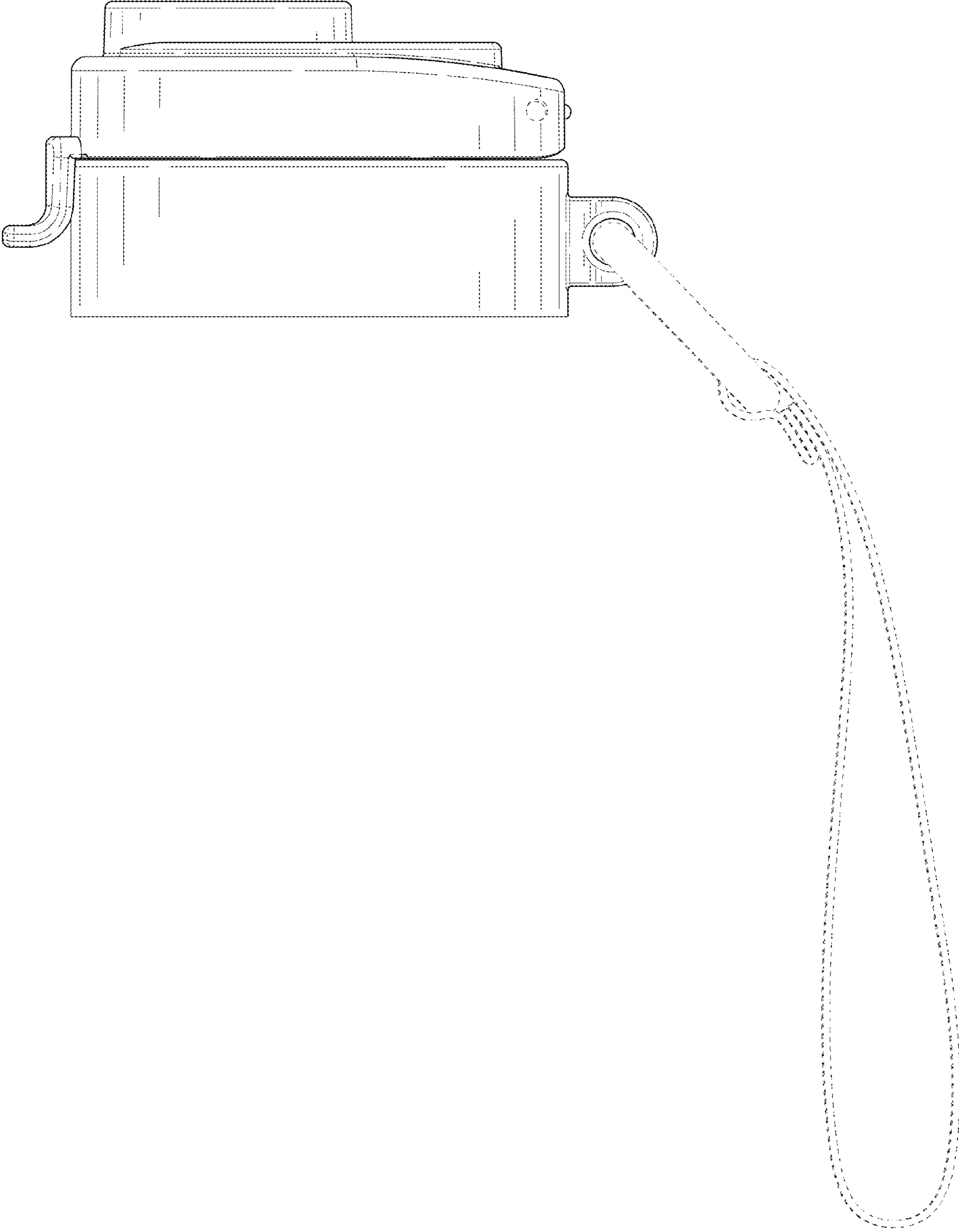


FIG. 6

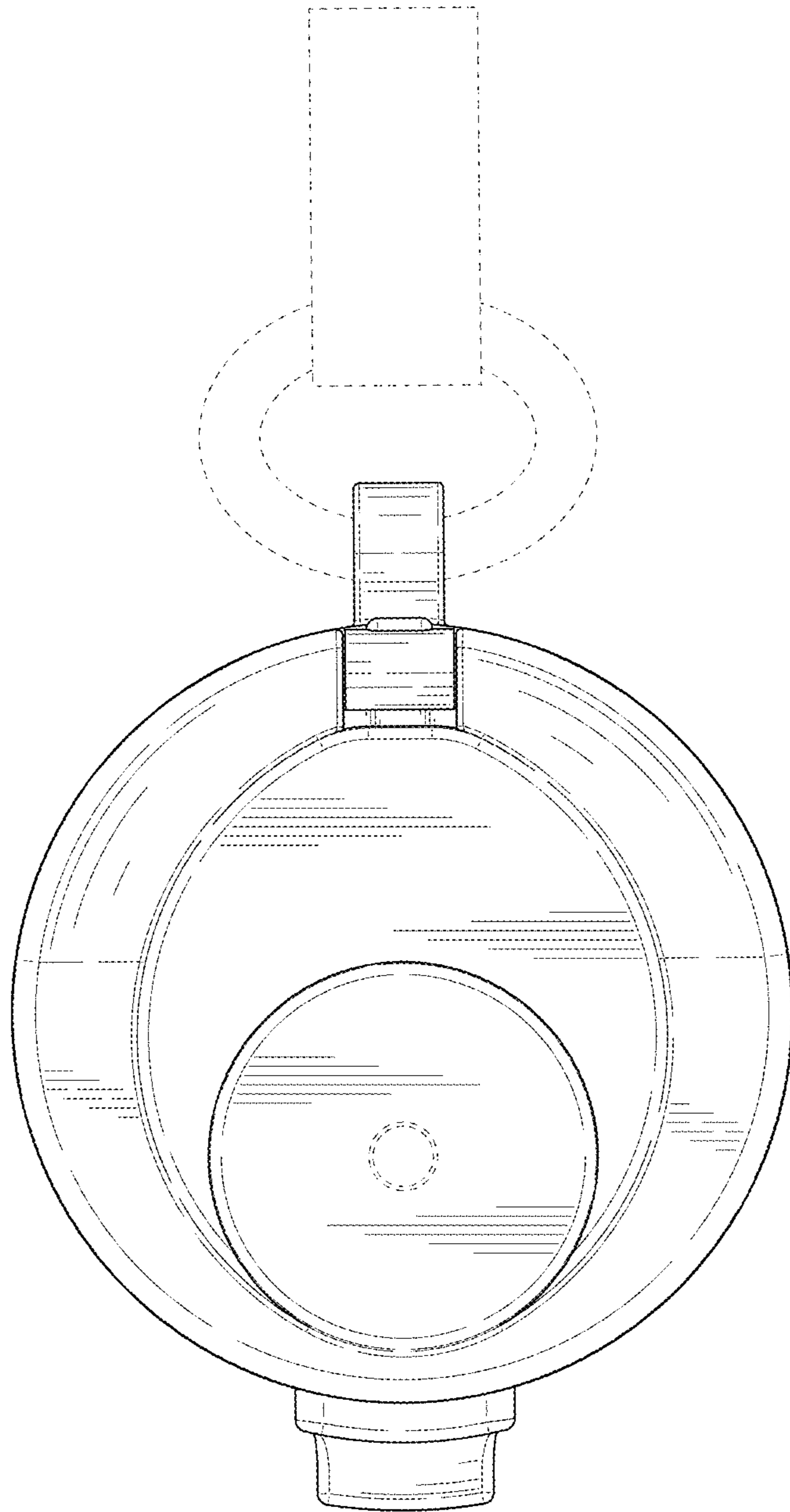


FIG. 7

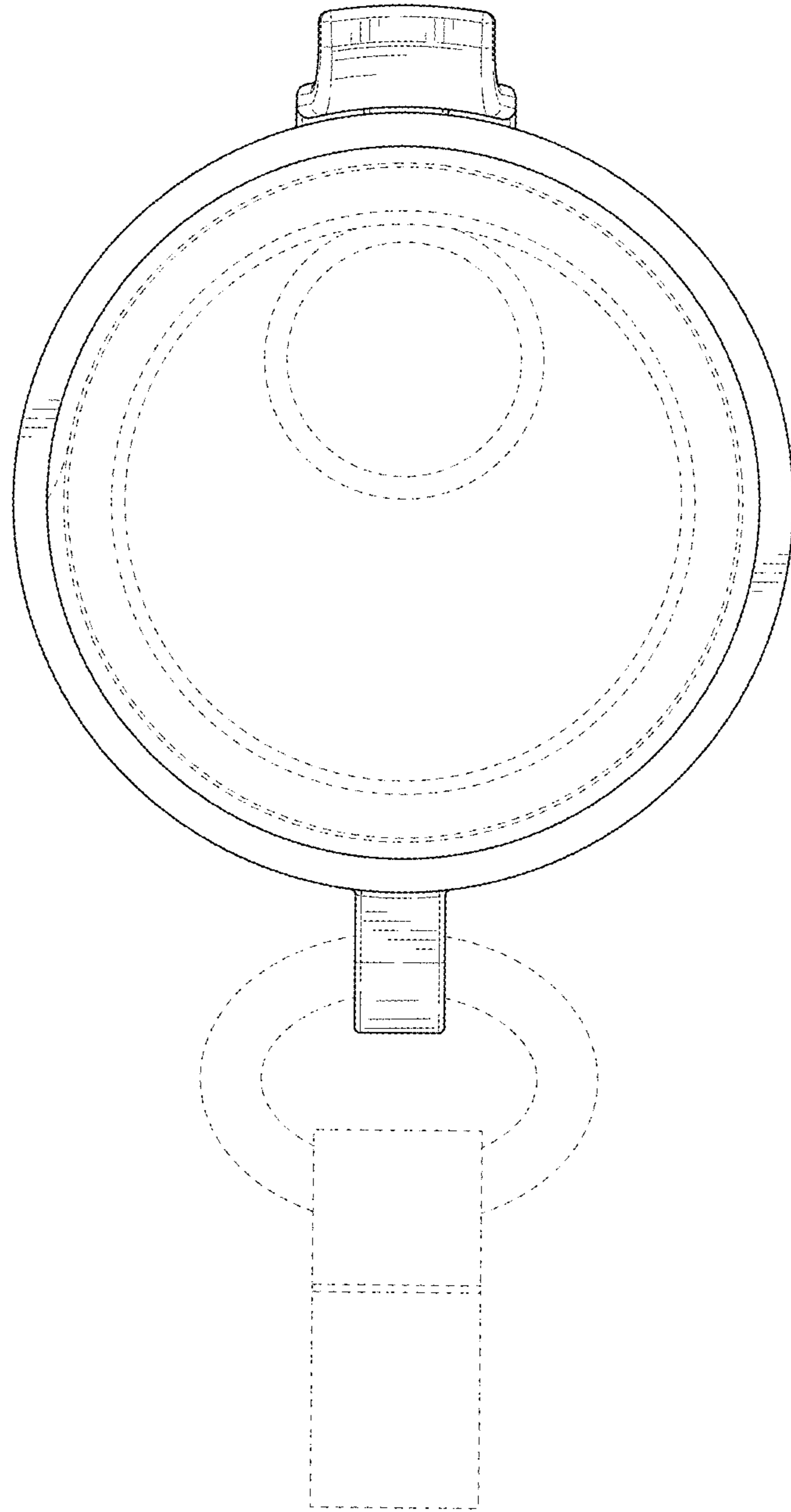


FIG. 8