



US00D960637S

(12) **United States Design Patent**
Zhang

(10) **Patent No.:** **US D960,637 S**

(45) **Date of Patent:** **** Aug. 16, 2022**

(54) **SIMPLE PUSH-BUTTON LID WITH STRAW**

(71) Applicant: **Bo Zhang**, Gongxian (CN)

(72) Inventor: **Bo Zhang**, Gongxian (CN)

(**) Term: **15 Years**

(21) Appl. No.: **29/802,097**

(22) Filed: **Aug. 3, 2021**

(51) **LOC (13) Cl.** **07-01**

(52) **U.S. Cl.**
USPC **D7/392.1; D7/391**

(58) **Field of Classification Search**
USPC D7/323, 391, 392, 392.1, 393-397, 510,
D7/511, 542, 543, 602, 605, 629;
D9/435, 443, 447, 449, 454
CPC A47G 19/12; A47J 27/00; A47J 27/002;
A47J 27/08; A47J 27/21; A47J 27/58;
A47J 36/025; A47J 36/06; A47J 36/12;
A47J 37/00; A47J 37/10; A47J 37/101;
A47J 37/103; A47J 37/12; A47J 37/1204;
A47J 45/061; A47J 45/071; A47J 45/08;
B65D 47/305; B65D 47/2037
See application file for complete search history.

(56) **References Cited**

U.S. PATENT DOCUMENTS

D872,522 S * 1/2020 Diener D9/449
D886,517 S * 6/2020 Bo D7/392.1
D887,776 S * 6/2020 Bo D7/392.1
D893,245 S 8/2020 Zhang
D897,761 S * 10/2020 Zhang D9/450
D900,538 S * 11/2020 Yao D7/392.1
D900,539 S 11/2020 Yao

D906,042 S * 12/2020 Chen D9/450
D911,100 S * 2/2021 Chen D9/450
D916,560 S 4/2021 Wu
D917,960 S * 5/2021 Yao D9/516
D922,819 S * 6/2021 Wang D9/450
D924,000 S * 7/2021 Chen D7/392.1
D931,042 S * 9/2021 Burga D7/392.1
D938,778 S * 12/2021 Ge D9/450
D940,501 S * 1/2022 Burga D7/392.1

OTHER PUBLICATIONS

Sendestar Straw Lid for Hydro Flask. Date Reviewed on Amazon.com May 21, 2019. <https://www.amazon.com/Hydroflask-Compatible-Hydroflasks-Wide-Mouth-Replacement/dp/B09NVSXMPR/ref> (Year: 2019).*

* cited by examiner

Primary Examiner — Ricky Pham

(74) *Attorney, Agent, or Firm* — Rumit R. Kanakia

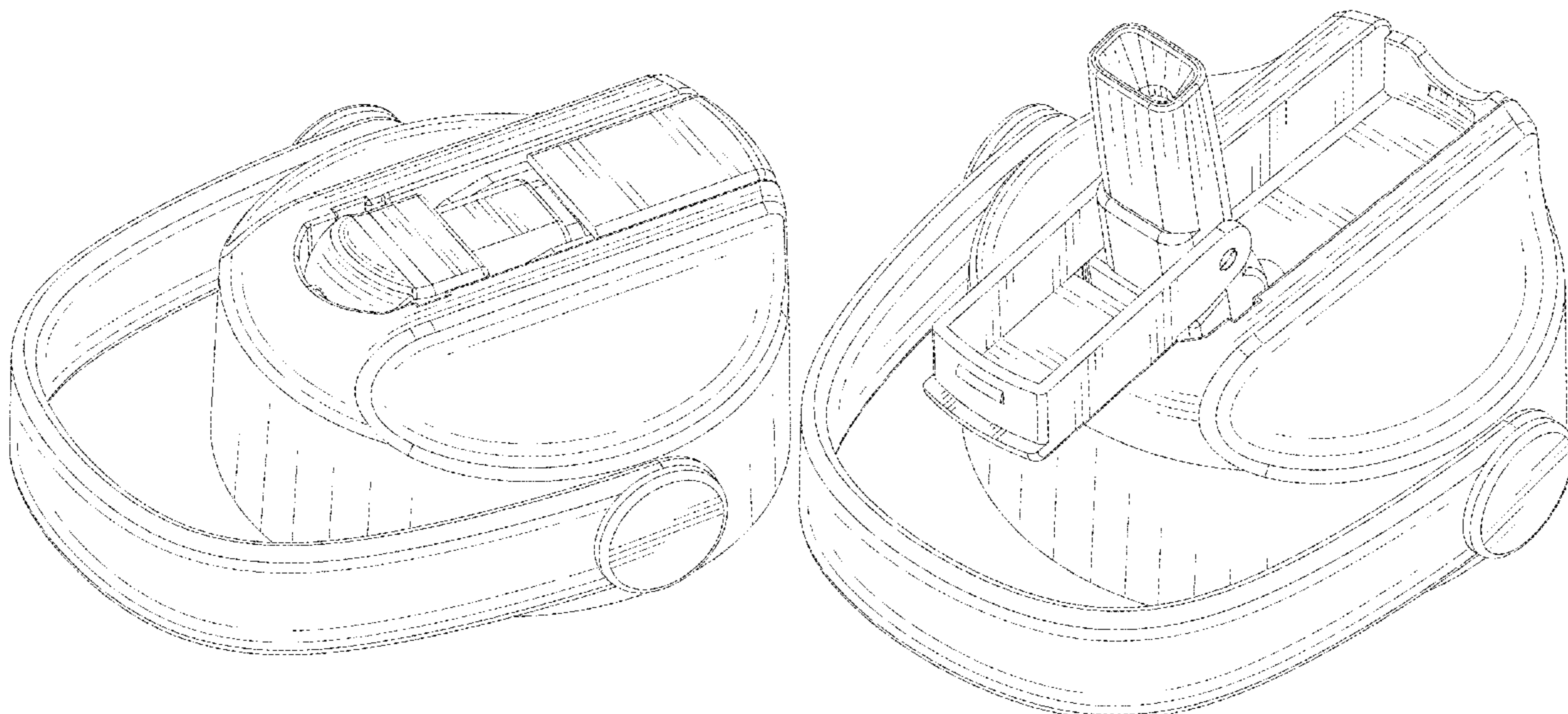
(57) **CLAIM**

I claim the ornamental design for a simple push-button lid with straw, as shown and described.

DESCRIPTION

FIG. 1 is a Perspective view of a simple push-button lid with straw showing my new design;
FIG. 2 is a Front view thereof;
FIG. 3 is a Back view thereof;
FIG. 4 is a Right-side view thereof;
FIG. 5 is a Left-side view thereof;
FIG. 6 is a Top view thereof;
FIG. 7 is a Bottom view thereof; and,
FIG. 8 is a Perspective view of a simple push-button lid with straw showing in open position.

1 Claim, 8 Drawing Sheets



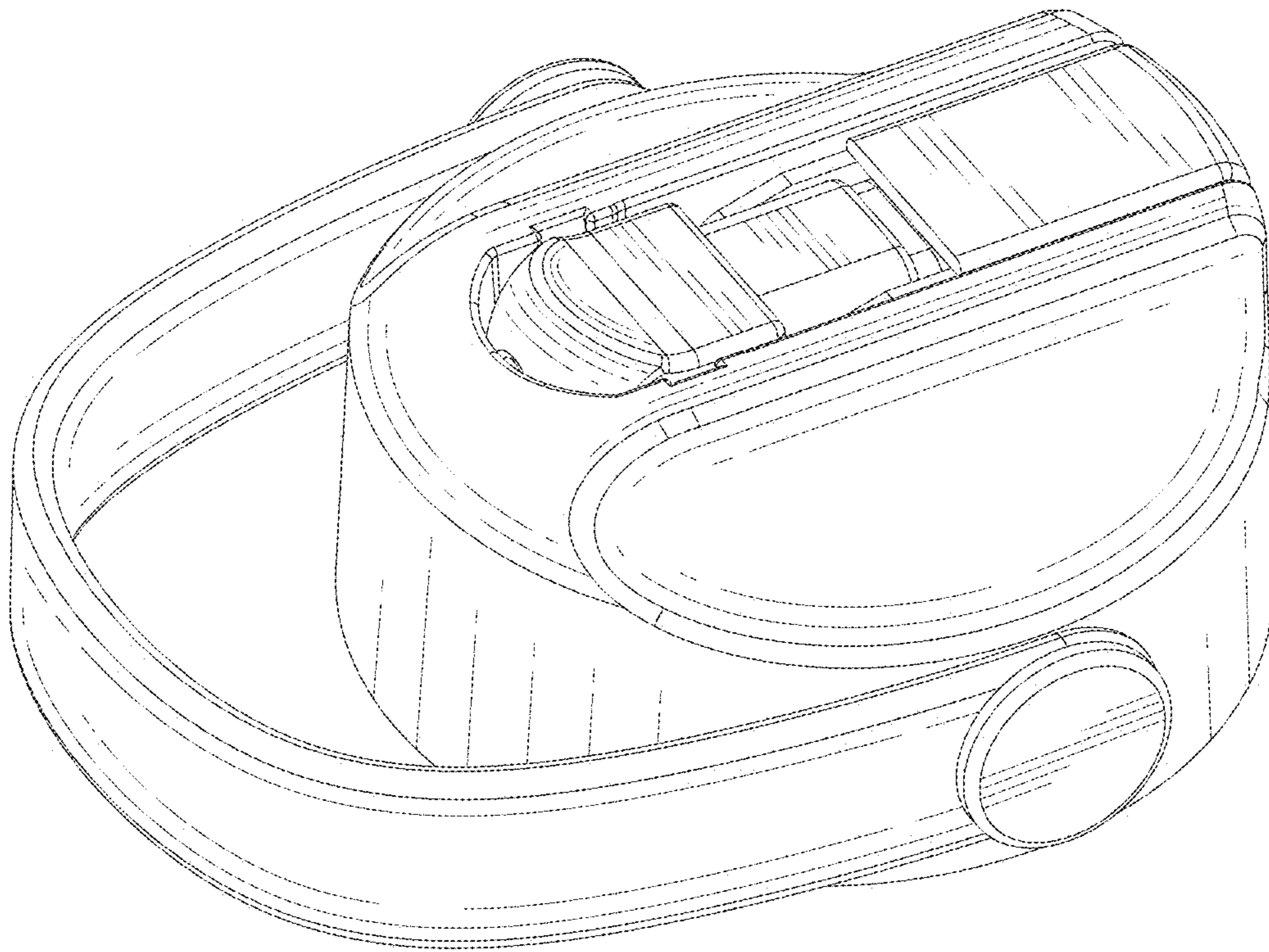


FIG.1

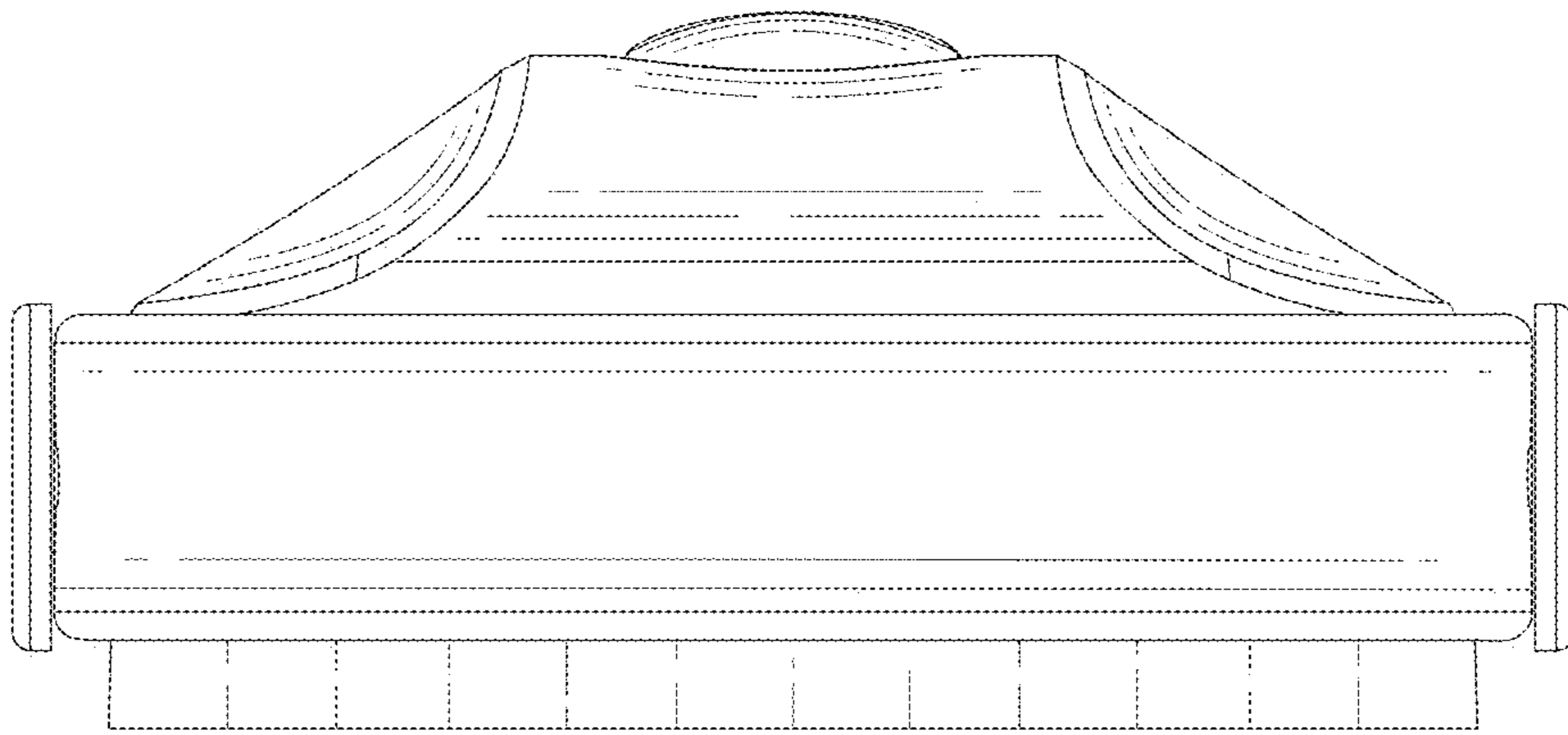


FIG.2

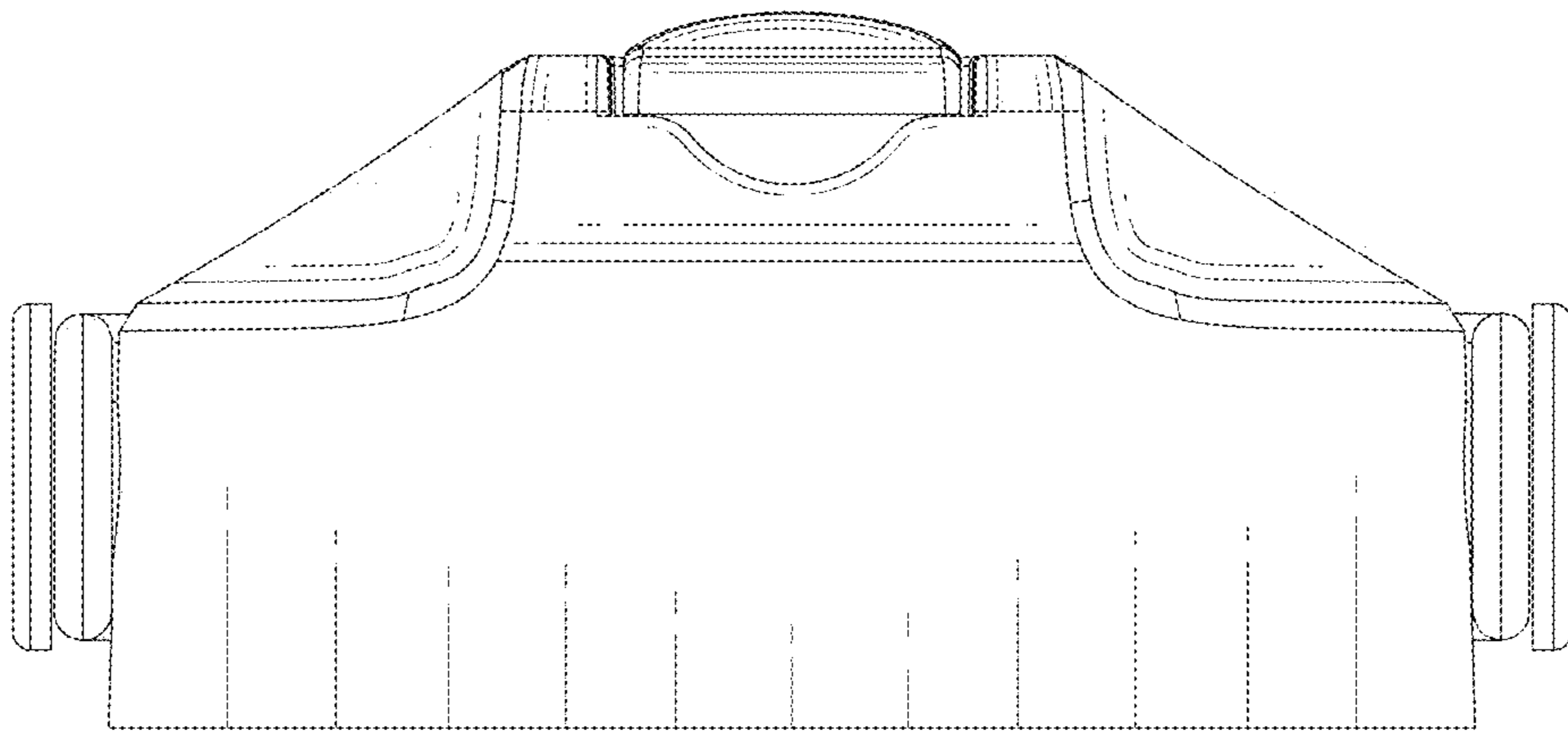


FIG.3

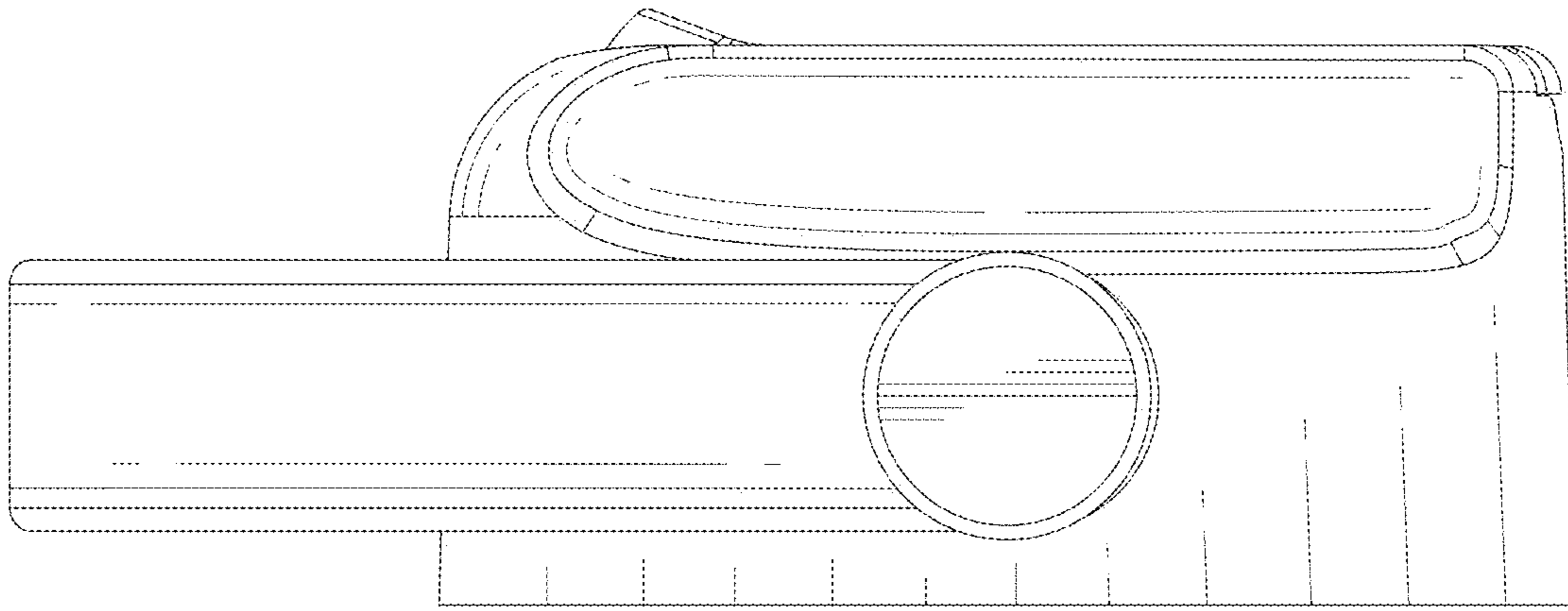


FIG.4

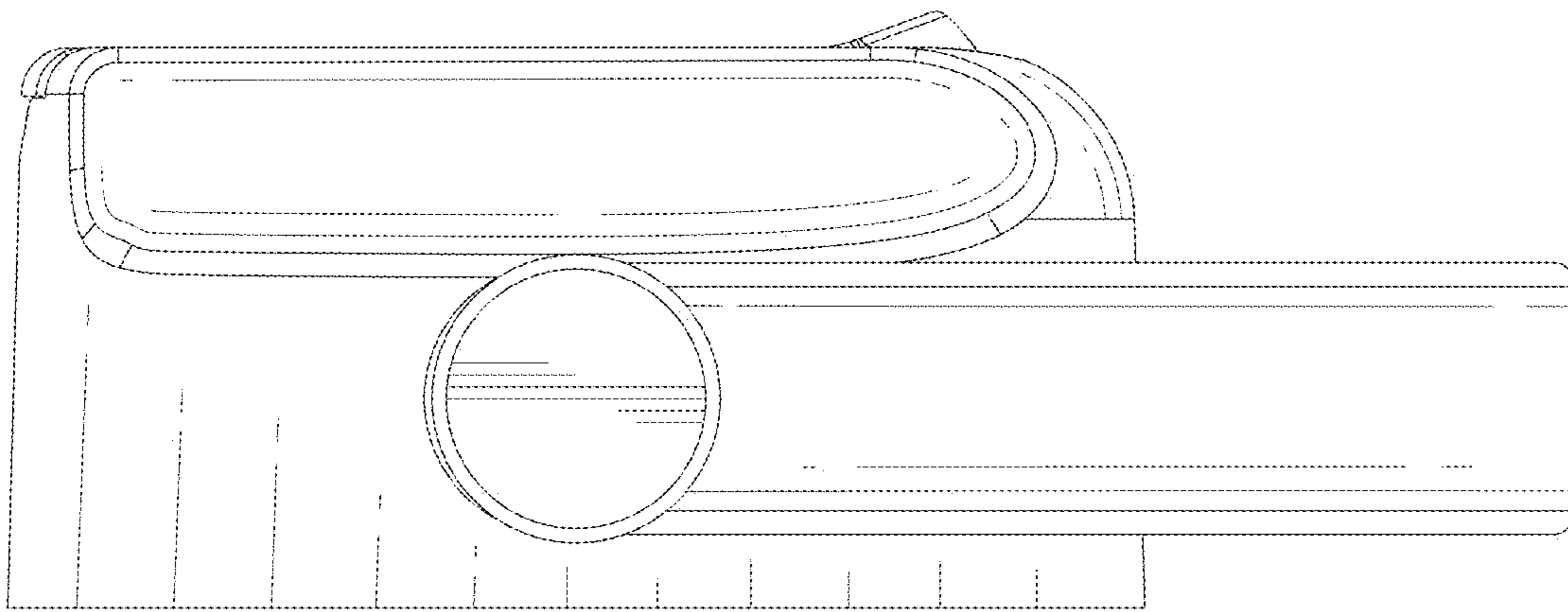


FIG.5

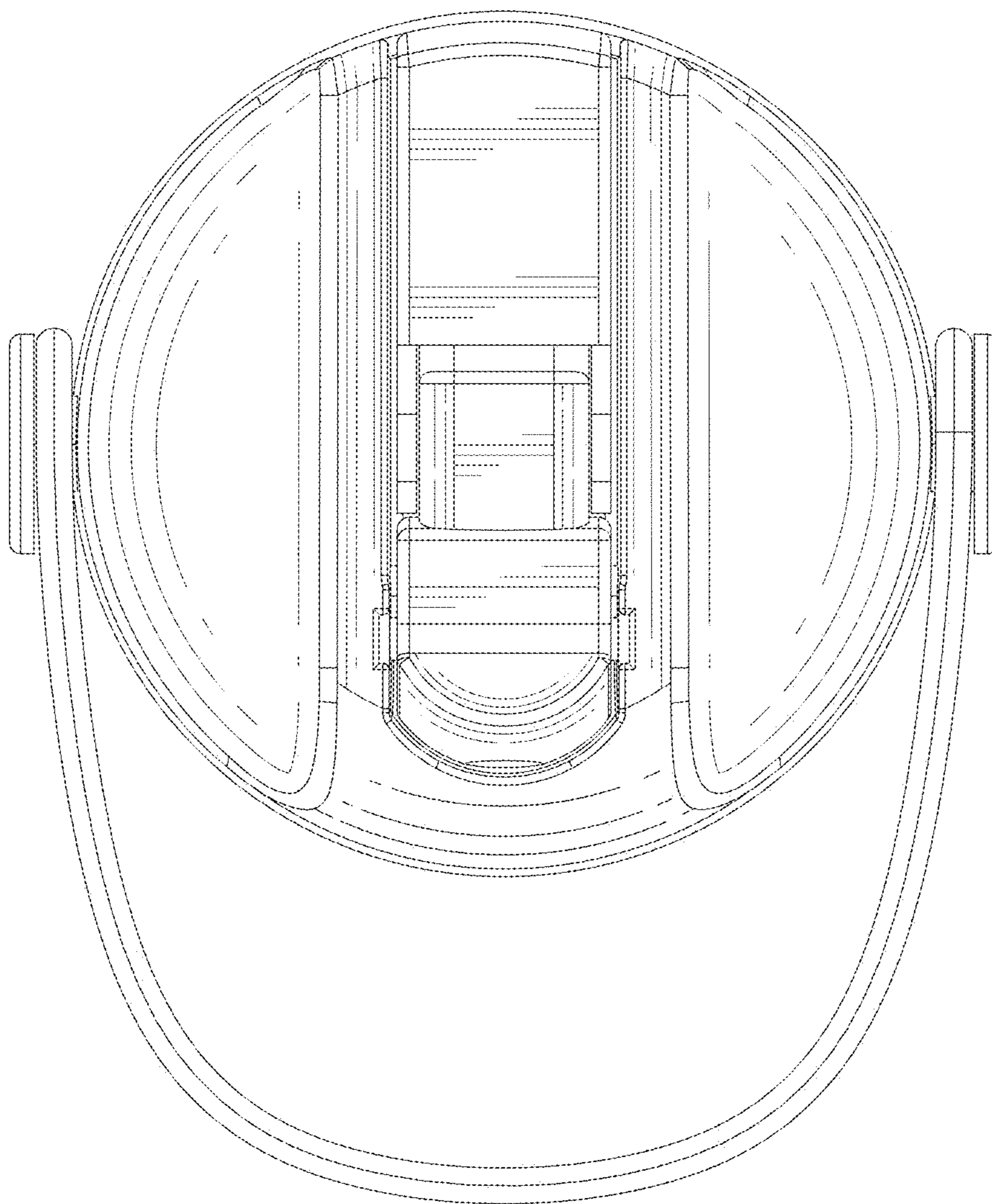


FIG.6

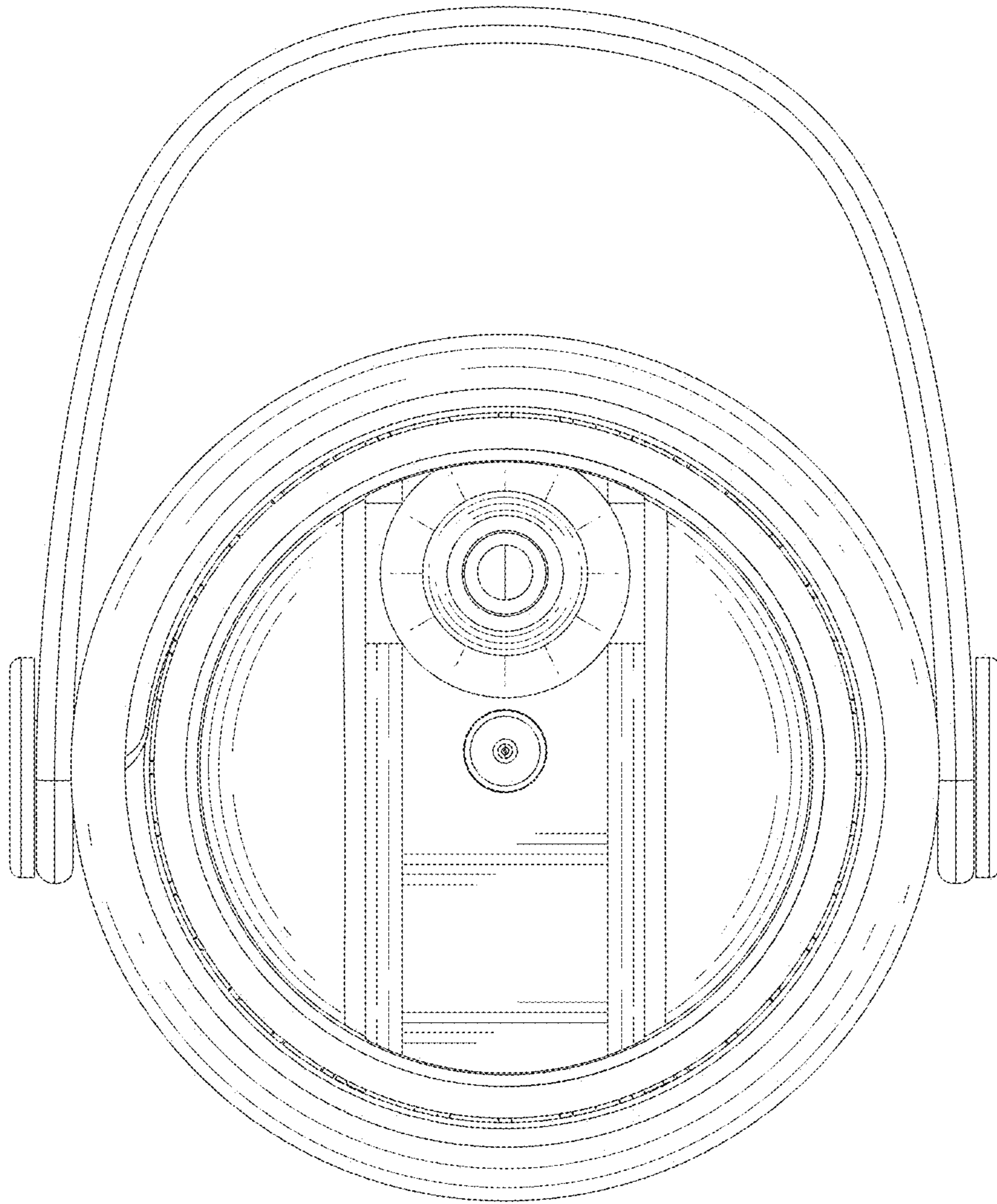


FIG.7

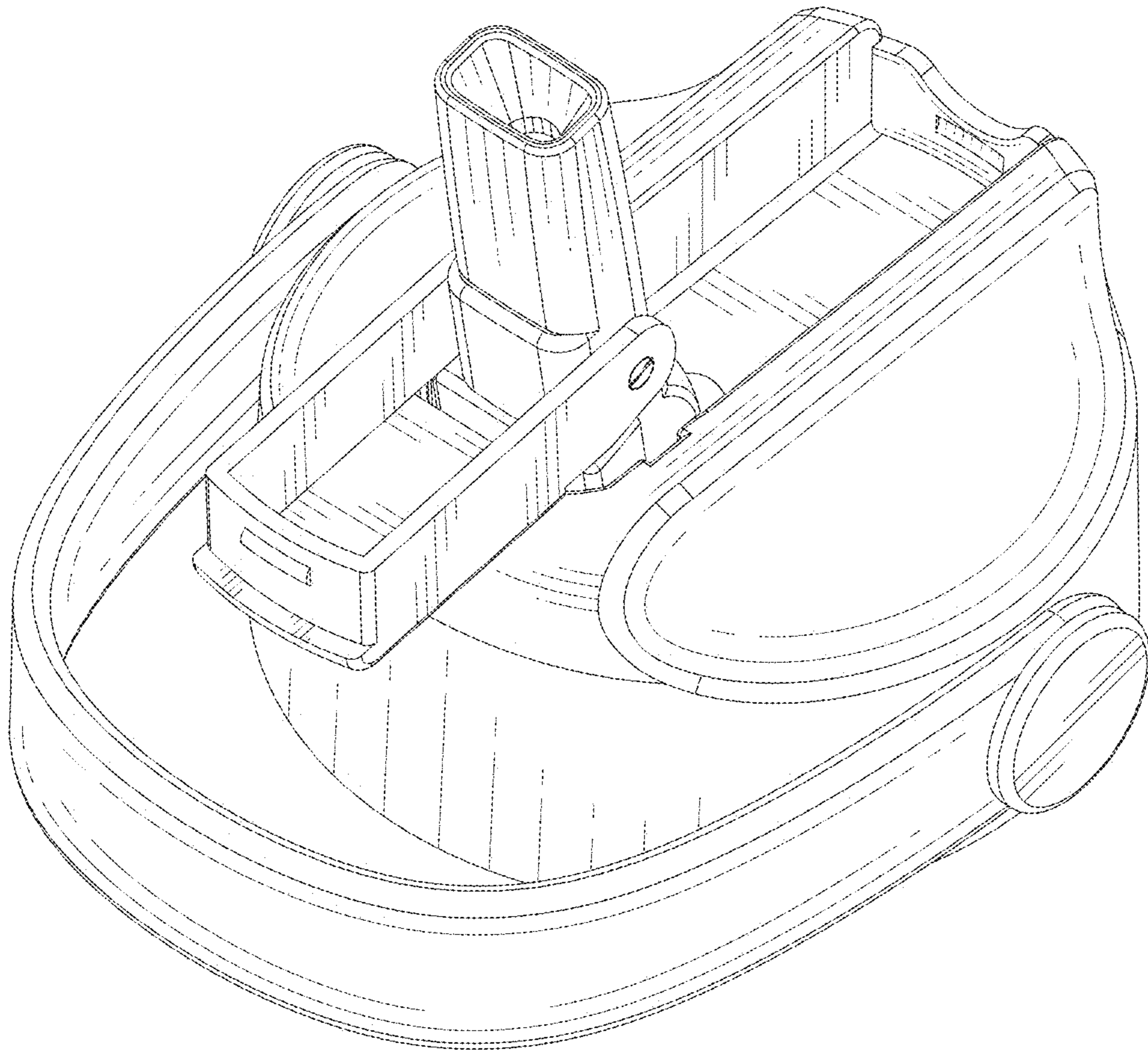


FIG.8