

US00D960634S

(12) **United States Design Patent** (10) **Patent No.:** **US D960,634 S**  
**Guo et al.** (45) **Date of Patent:** **\*\* Aug. 16, 2022**

(54) **HANDHELD MIXER**  
(71) Applicant: **MIDEA GROUP CO., LTD.**,  
Guangdong (CN)  
(72) Inventors: **Yuqiang Guo**, Guangdong (CN);  
**Xian'an Liu**, Guangdong (CN); **Weixi Peng**, Guangdong (CN)  
(73) Assignee: **MIDEA GROUP CO., LTD.**,  
Guangdong (CN)  
(\*\*) Term: **15 Years**  
(21) Appl. No.: **35/511,107**  
(22) Filed: **Oct. 19, 2020**  
(80) **Hague Agreement Data**  
Int. Filing Date: **Oct. 19, 2020**  
Int. Reg. No.: **DM/211972**  
Int. Reg. Date: **Oct. 19, 2020**  
Int. Reg. Pub. Date: **Jan. 15, 2021**

(30) **Foreign Application Priority Data**  
May 25, 2020 (CN) ..... 202030246327.3  
(51) **LOC (13) Cl.** ..... **31-00**  
(52) **U.S. Cl.**  
USPC ..... **D7/379**  
(58) **Field of Classification Search**  
USPC ..... D7/376, 377, 378, 379  
CPC .... A21C 1/00; A21C 1/02; A47J 43/04; A47J  
43/046; A47J 43/06; A47J 43/0716; A47J  
2043/04418  
See application file for complete search history.

(56) **References Cited**  
U.S. PATENT DOCUMENTS  
D257,733 S \* 12/1980 Klawitter ..... D7/380  
4,349,758 A \* 9/1982 Grant, Jr. .... A47J 43/082  
310/194

D309,081 S \* 7/1990 Thomas ..... D7/379  
D329,165 S \* 9/1992 Doggett ..... D7/378  
D337,667 S \* 7/1993 Lovett ..... D7/379  
D345,077 S \* 3/1994 Maass ..... D7/386  
D345,888 S \* 4/1994 Joss ..... D7/412  
D361,920 S \* 9/1995 Kaney ..... D7/379  
D367,400 S \* 2/1996 Viemeister ..... D7/379  
D418,010 S \* 12/1999 Chan ..... D7/379  
D419,366 S \* 1/2000 Tse ..... D7/379  
D432,351 S \* 10/2000 Leverrier ..... D7/379  
D465,967 S \* 11/2002 Dalton ..... D7/379  
D471,758 S \* 3/2003 Wilson ..... D7/379  
D478,467 S \* 8/2003 Holderfield ..... D7/379  
D504,592 S \* 5/2005 Wanat ..... D7/379  
D540,114 S \* 4/2007 Picozza ..... D7/379  
D540,115 S \* 4/2007 Picozza ..... D7/379  
D588,865 S \* 3/2009 Ferraby ..... D7/380  
D593,360 S \* 6/2009 Lee ..... D7/379  
D665,223 S \* 8/2012 Haley ..... D7/378  
D665,224 S \* 8/2012 Benoit ..... D7/378  
D703,480 S \* 4/2014 Lownds ..... D7/378  
D726,495 S \* 4/2015 Ryan ..... D7/412

(Continued)

Primary Examiner — Steven J Cxyz

(57) **CLAIM**

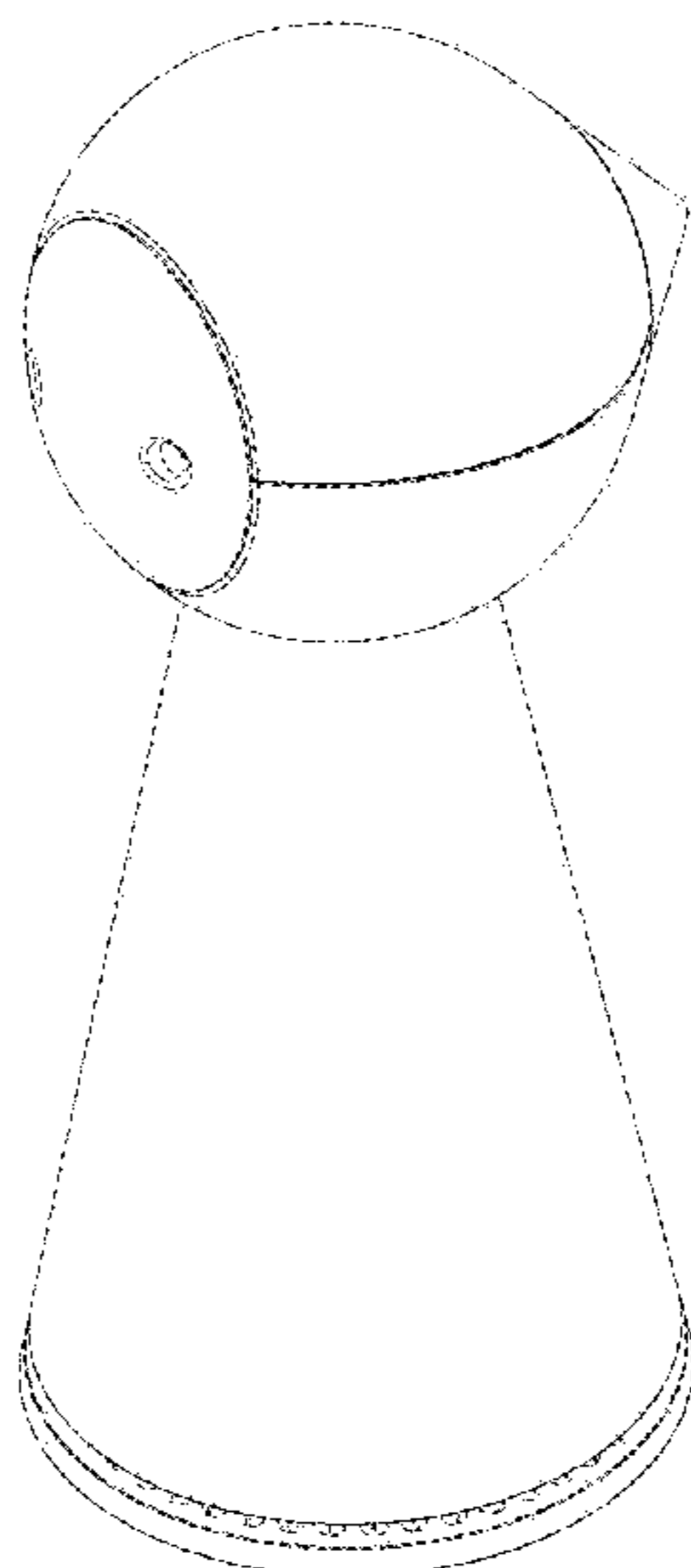
The ornamental design for a handheld mixer, as shown and described.

**DESCRIPTION**

- 1. Handheld mixer
- 1.1 Front View
- 1.2 Rear View
- 1.3 Left Side View
- 1.4 Right Side View
- 1.5 Top View
- 1.6 Bottom View
- 1.7 Perspective View

The broken lines in reproductions 1.1-1.4 and 1.7 depict portions of the handheld mixer that form no part of the claimed design.

**1 Claim, 7 Drawing Sheets**



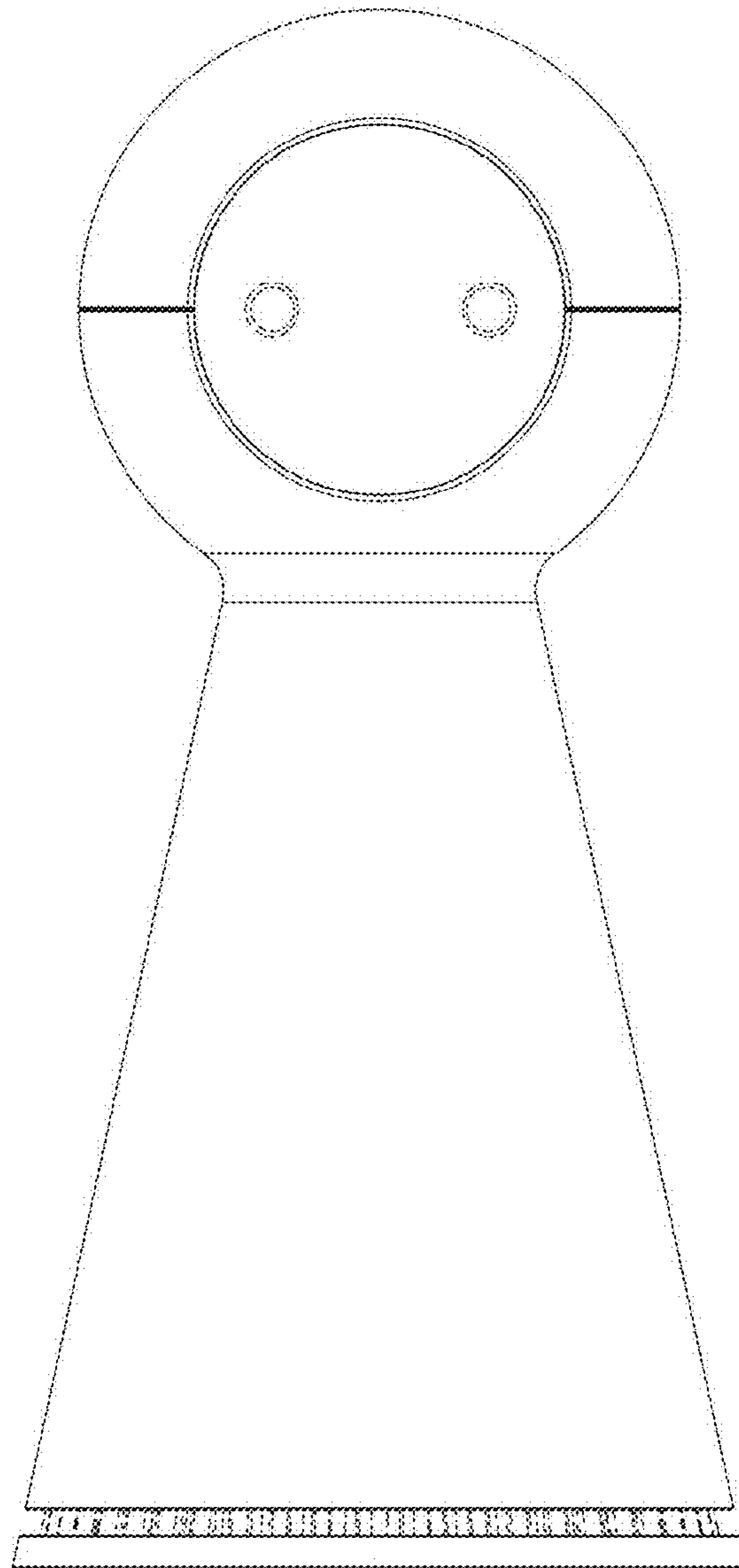
(56)

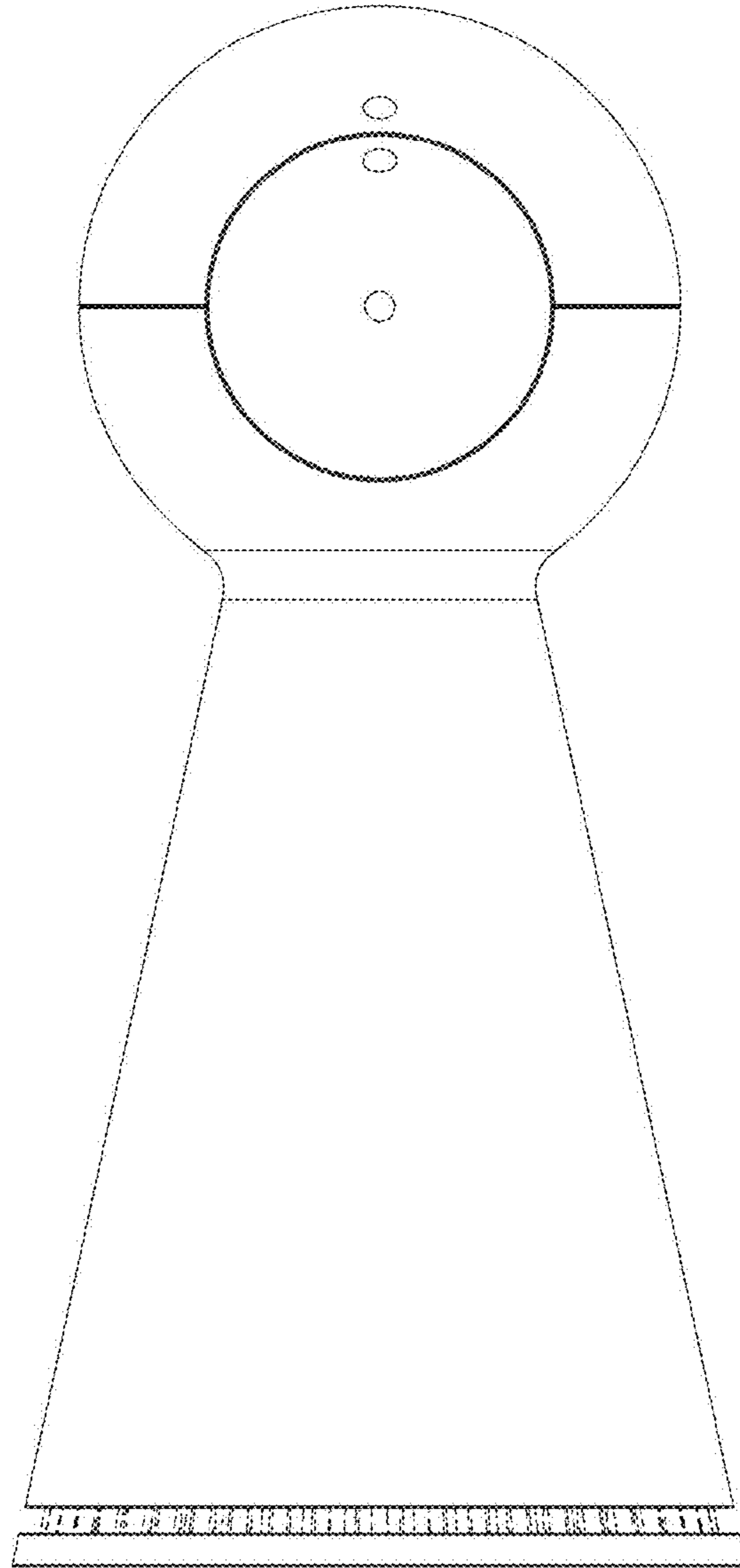
**References Cited**

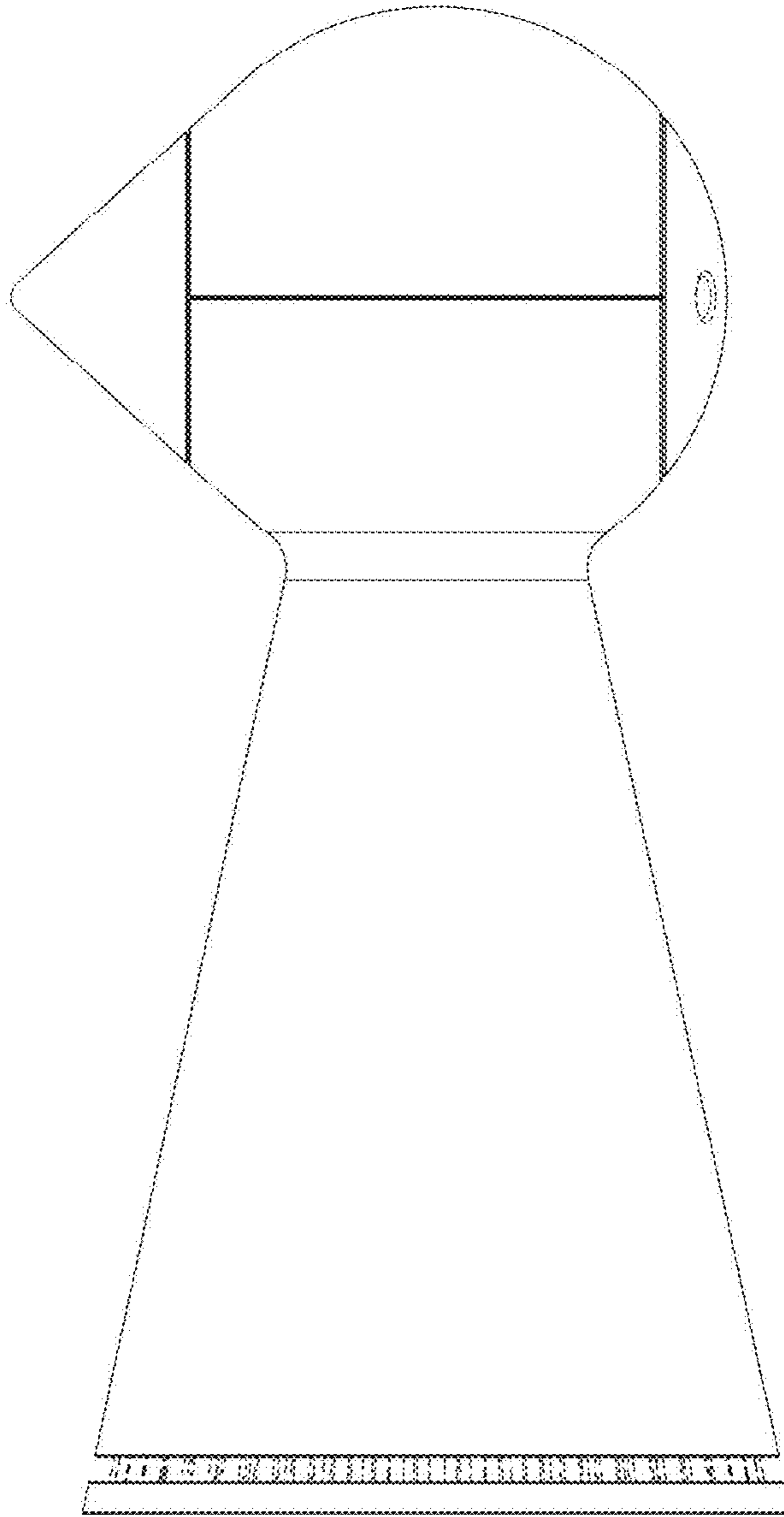
U.S. PATENT DOCUMENTS

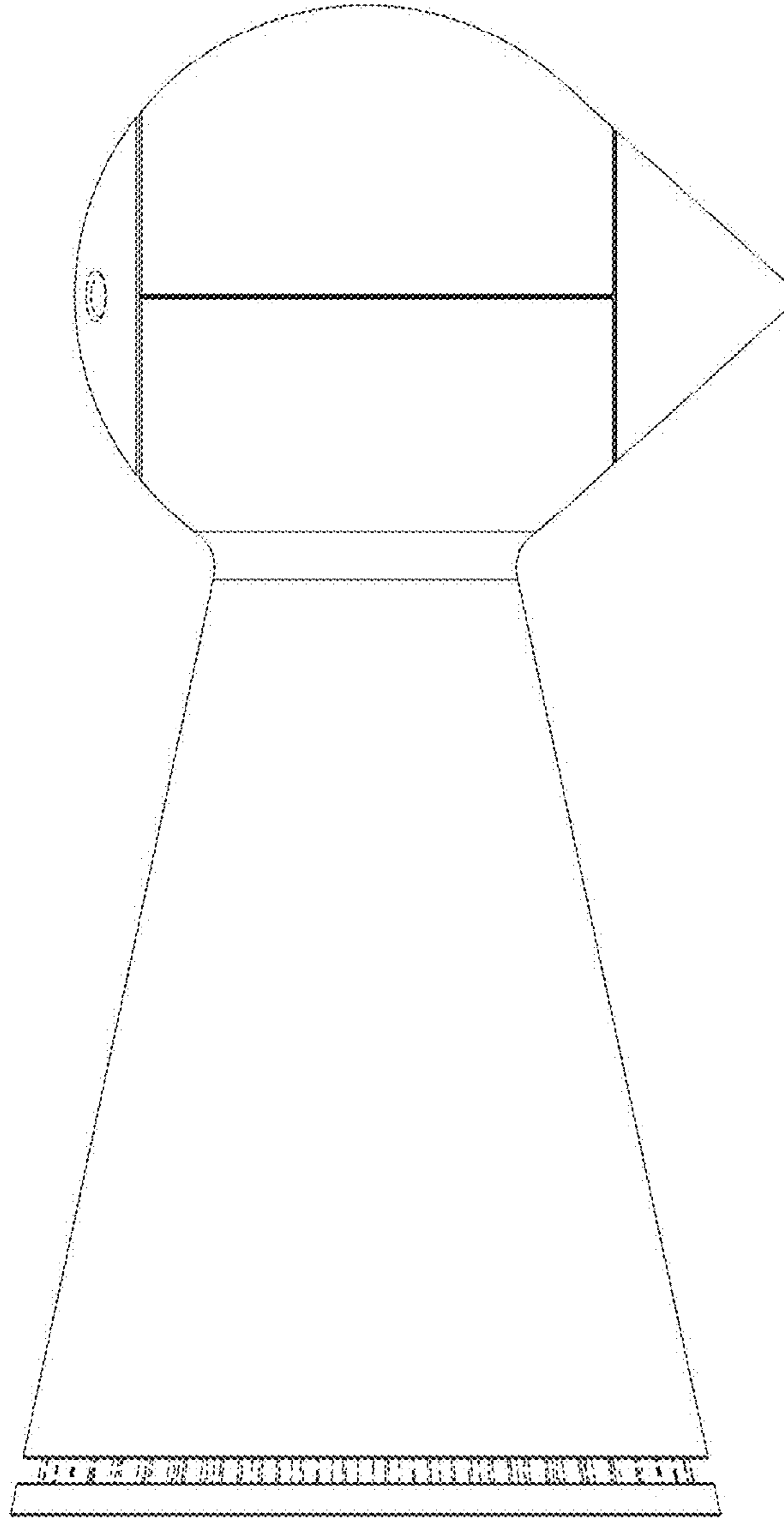
D756,165	S *	5/2016	Lee	.....	D7/379
D807,109	S *	1/2018	Ho	.....	D7/379
D830,764	S *	10/2018	Vu	.....	D7/379
D845,697	S *	4/2019	Gordon	.....	D7/379
D892,539	S *	8/2020	McConnell	.....	D7/379
D905,497	S *	12/2020	Carlson	.....	D7/379
D911,096	S *	2/2021	McConnell	.....	D7/379
D911,767	S *	3/2021	Koszylko	.....	D7/380
D913,742	S *	3/2021	De	.....	D7/379
D919,356	S *	5/2021	De	.....	D7/379
D930,426	S *	9/2021	Bourgeois	.....	D7/379
D931,678	S *	9/2021	Walraven	.....	D7/379
D938,221	S *	12/2021	Ge	.....	D7/379
D938,222	S *	12/2021	McConnell	.....	D7/379
2005/0007867	A1 *	1/2005	Wanat	.....	A47J 43/082 366/129
2013/0188439	A1 *	7/2013	McCormick	.....	H02G 11/00 366/129
2017/0055775	A1 *	3/2017	Hoare	.....	A47J 43/06
2021/0000299	A1 *	1/2021	Carlson	.....	A47J 43/044
2021/0169275	A1 *	6/2021	Plazarte	.....	B01F 27/2322

\* cited by examiner



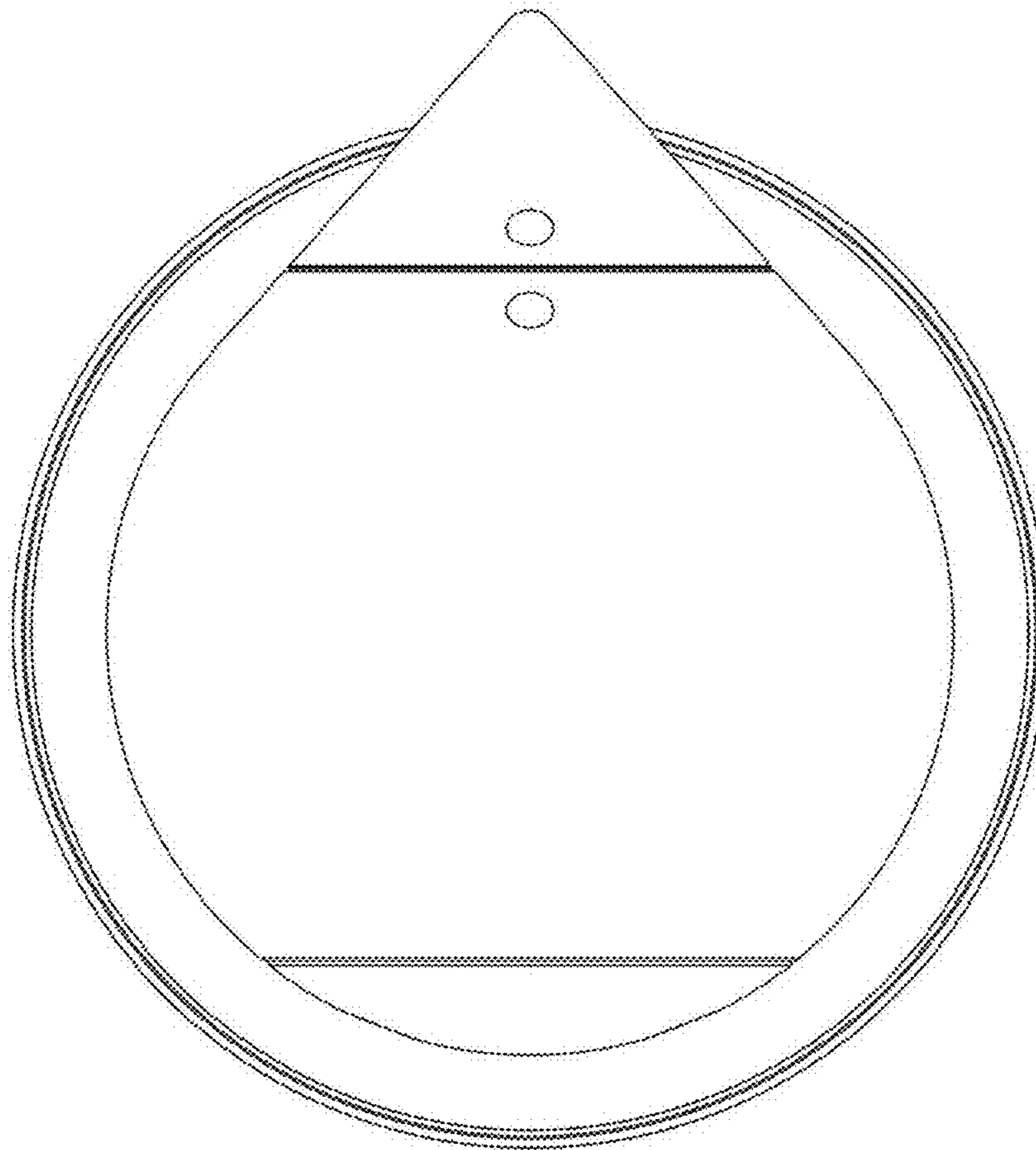






1.4

1.5



1.6

