



US00D960628S

(12) **United States Design Patent** (10) **Patent No.:** **US D960,628 S**
Jo et al. (45) **Date of Patent:** **** Aug. 16, 2022**

(54) **TOASTER**
(71) Applicant: **MIDEA GROUP CO., LTD.**,
Guangdong (CN)
(72) Inventors: **Jeongmin Jo**, Guangdong (CN); **Ying Song**, Guangdong (CN)
(73) Assignee: **MIDEA GROUP CO., LTD.**,
Guangdong (CN)
(**) Term: **15 Years**
(21) Appl. No.: **35/511,063**
(22) Filed: **Oct. 12, 2020**
(80) **Hague Agreement Data**
Int. Filing Date: **Oct. 12, 2020**
Int. Reg. No.: **DM/211888**
Int. Reg. Date: **Oct. 12, 2020**
Int. Reg. Pub. Date: **Jan. 1, 2021**

(30) **Foreign Application Priority Data**
Jun. 12, 2020 (CN) 202030300428.4

(51) **LOC (13) Cl.** **07-02**
(52) **U.S. Cl.**
USPC **D7/330**
CPC **A47J 37/00** (2013.01)

(58) **Field of Classification Search**
USPC D7/323, 328-330, 390, 354; D23/323,
D23/328-330, 390
CPC A47J 37/00; A47J 37/06; A47J 37/0611;
A47J 37/08; A47J 37/0807; A47J
37/0814; A47J 37/0835; A47J 37/0842;
A47J 37/085; A47J 37/0864; A47J
37/0878; A47J 37/0885; A47J 37/0892;
A21B 2/00; F24C 15/10; F24C 15/102
See application file for complete search history.

(56) **References Cited**
U.S. PATENT DOCUMENTS

2,309,640	A *	2/1943	Gough	A47J 37/0821 99/327
D156,153	S *	11/1949	Olson et al.	D7/330
3,170,416	A *	2/1965	Gerlich	A47J 37/0878 108/14
D296,290	S *	6/1988	Yamanaka	D7/330
D328,686	S *	8/1992	Wolfe	D7/328
D347,356	S *	5/1994	Yim	D7/354
D384,542	S *	10/1997	Pena Angarita	D7/330
D422,833	S *	4/2000	Cruz	D7/330
D431,147	S *	9/2000	Lin	D7/330
D470,709	S *	2/2003	Starr	D7/330
D473,093	S *	4/2003	To	D7/330
D474,368	S *	5/2003	Averty	D7/330
D488,341	S *	4/2004	Enriquez	D7/330
D520,801	S *	5/2006	Cuffaro	D7/330
D523,683	S *	6/2006	Guyett	D7/330
D547,105	S *	7/2007	Matras	D7/330
D548,512	S *	8/2007	Nakatani	D7/330
D598,697	S *	8/2009	De Pra'	D7/330
D615,343	S *	5/2010	Bock	D7/330
D632,124	S *	2/2011	Thomas	D7/330
D635,390	S *	4/2011	Duncan	D7/330
D644,473	S *	9/2011	Pantaleo	D7/330
D661,942	S *	6/2012	Palermo	D7/330
D688,508	S *	8/2013	Garman	D7/330

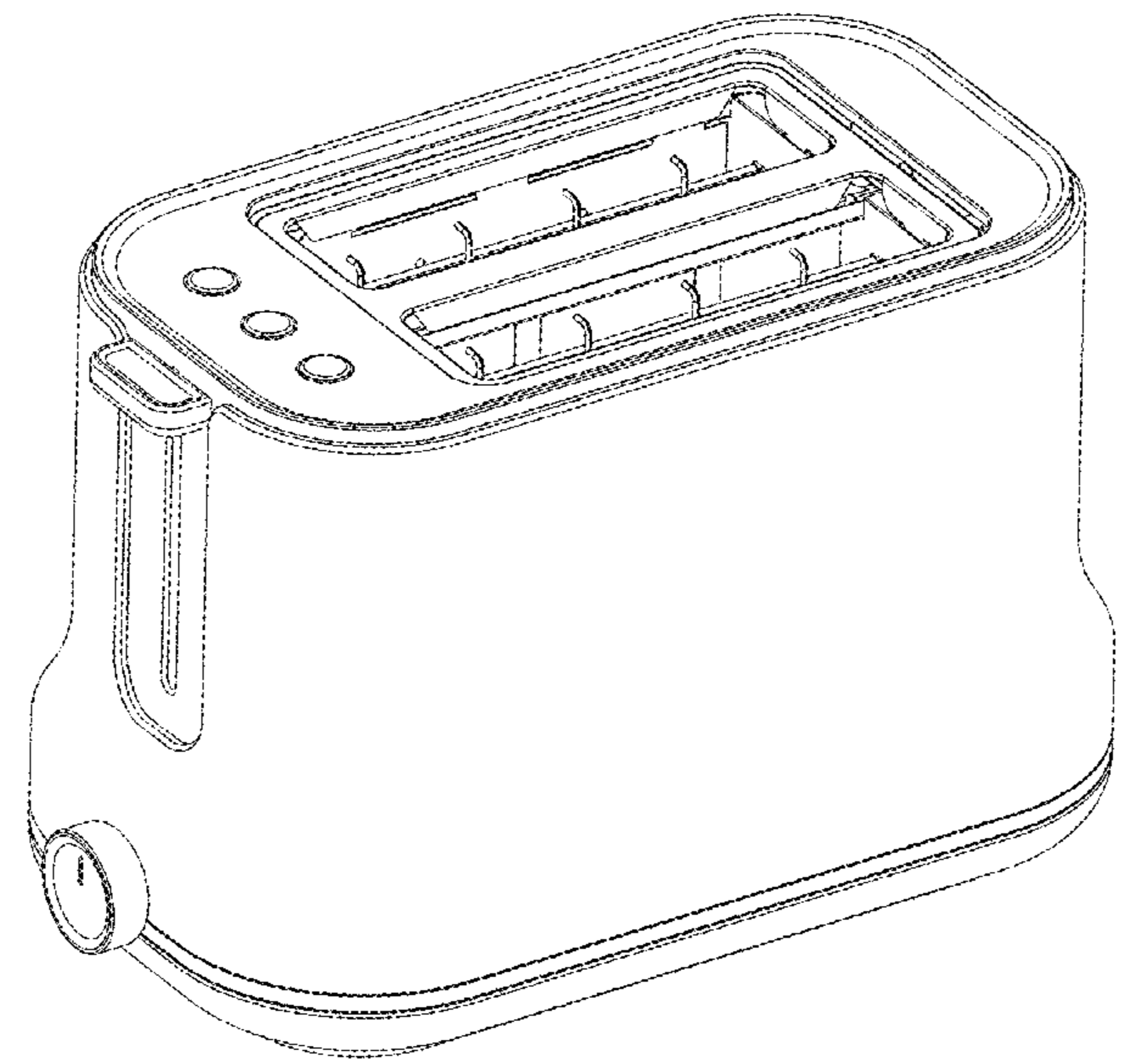
(Continued)

Primary Examiner — Richard E Chilcot

(57) **CLAIM**
The ornamental design for a toaster, as shown and described.

- DESCRIPTION**
- 2. Toaster
 - 2.1 Front
 - 2.2 Back
 - 2.3 Left
 - 2.4 Right
 - 2.5 Top
 - 2.6 Bottom
 - 2.7 Perspective

1 Claim, 7 Drawing Sheets



(56)

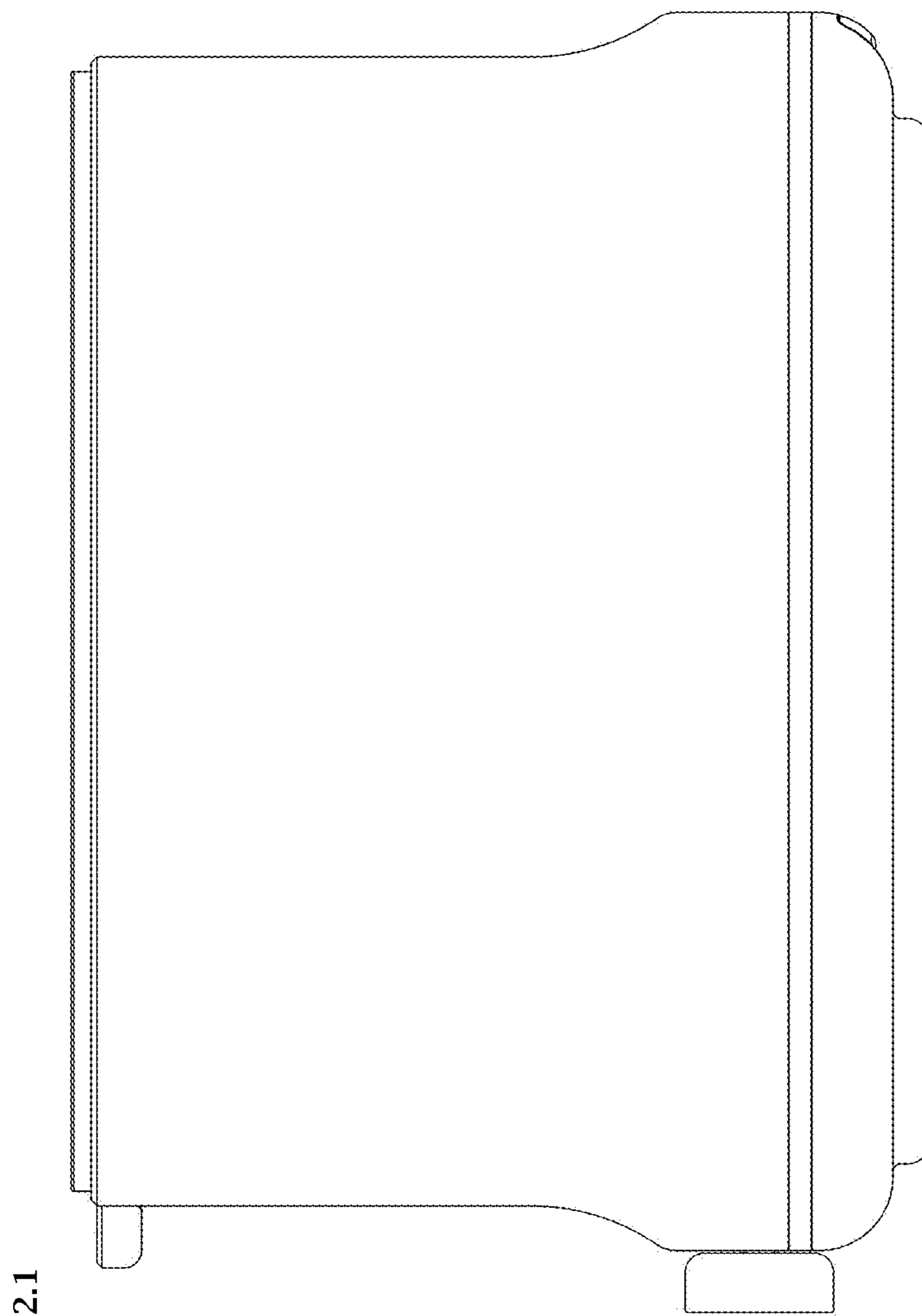
References Cited

U.S. PATENT DOCUMENTS

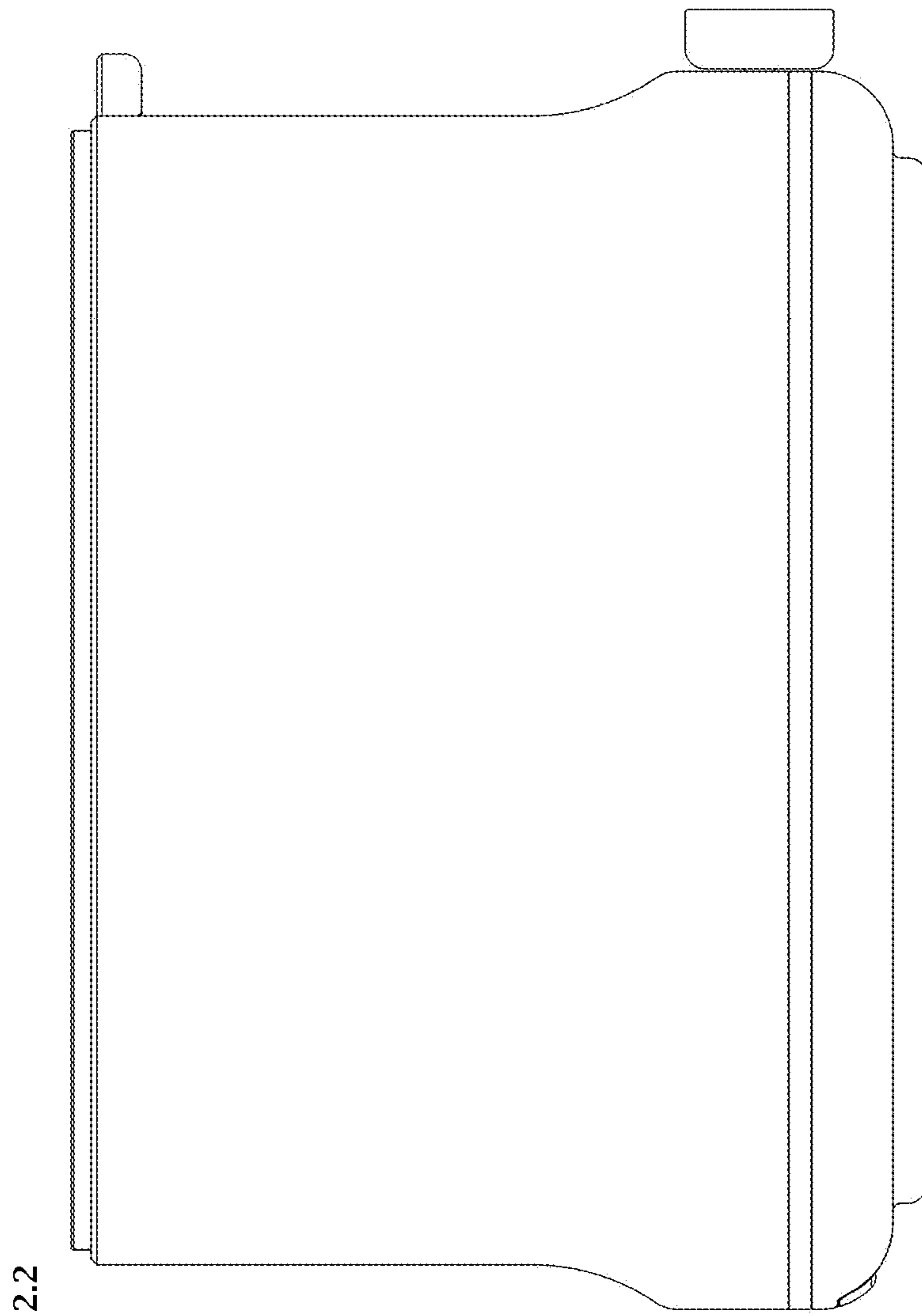
D727,087 S * 4/2015 Vu D7/354
 D730,676 S * 6/2015 Palmer D7/330
 9,131,804 B2 * 9/2015 Turner A47J 37/0814
 D746,093 S * 12/2015 Bazzicalupo D7/330
 D758,780 S * 6/2016 Affatato D7/330
 D759,418 S * 6/2016 Affatato D7/330
 D765,456 S * 9/2016 Lee D7/330
 D796,890 S * 9/2017 De' Longhi D7/330
 D797,490 S * 9/2017 Averty D7/330
 D807,677 S * 1/2018 Ho D7/330
 D809,327 S * 2/2018 Chalk D7/330
 D812,408 S * 3/2018 Li D7/330
 D823,631 S * 7/2018 Gort-Barten D7/330
 D838,132 S * 1/2019 Kowalewski D7/330
 D838,534 S * 1/2019 Bodum D7/330
 D839,654 S * 2/2019 Lin D7/330
 D841,386 S * 2/2019 McConnell D7/330
 D843,768 S * 3/2019 Miller D7/330

D843,769 S * 3/2019 Chen D7/330
 D846,919 S * 4/2019 Yost D6/669
 D862,149 S * 10/2019 Gordon D7/330
 D862,966 S * 10/2019 Brook D7/330
 D876,872 S * 3/2020 Bazzicalupo D7/330
 D879,537 S * 3/2020 Powell D7/330
 D886,505 S * 6/2020 Thun D7/330
 D906,034 S * 12/2020 Gort-Barten A47J 37/00
 D907,949 S * 1/2021 Carbone D7/330
 D912,455 S * 3/2021 Brega D7/330
 D927,239 S * 8/2021 Brega D7/330
 D927,914 S * 8/2021 Brega D7/330
 D930,420 S * 9/2021 Baur D7/330
 D932,821 S * 10/2021 Wu D7/330
 D937,029 S * 11/2021 Bock D7/330
 D938,216 S * 12/2021 Carbone D7/330
 D944,047 S * 2/2022 Hayon D7/330
 D944,582 S * 3/2022 Qin D7/330
 D947,588 S * 4/2022 Steiner D7/330

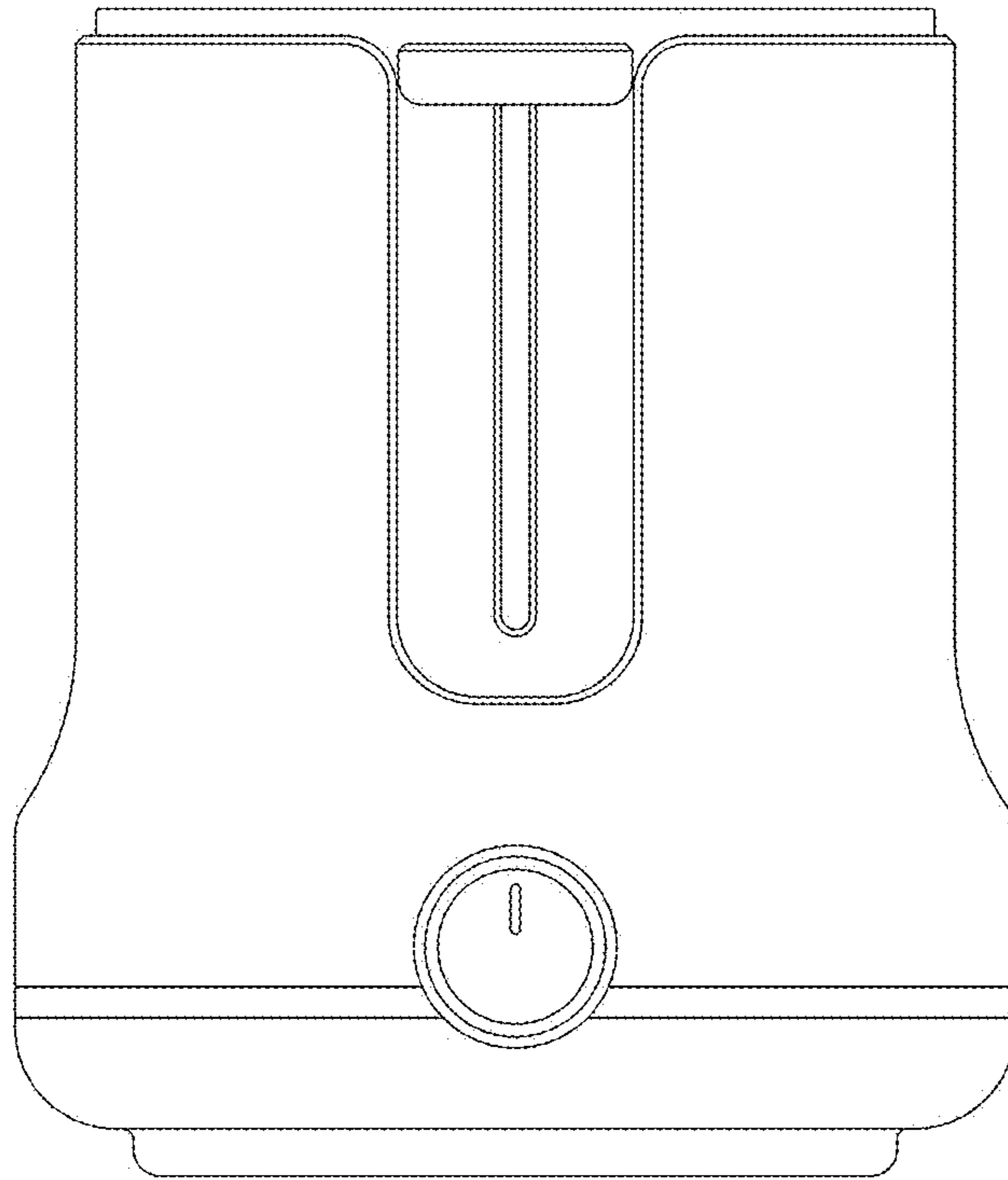
* cited by examiner



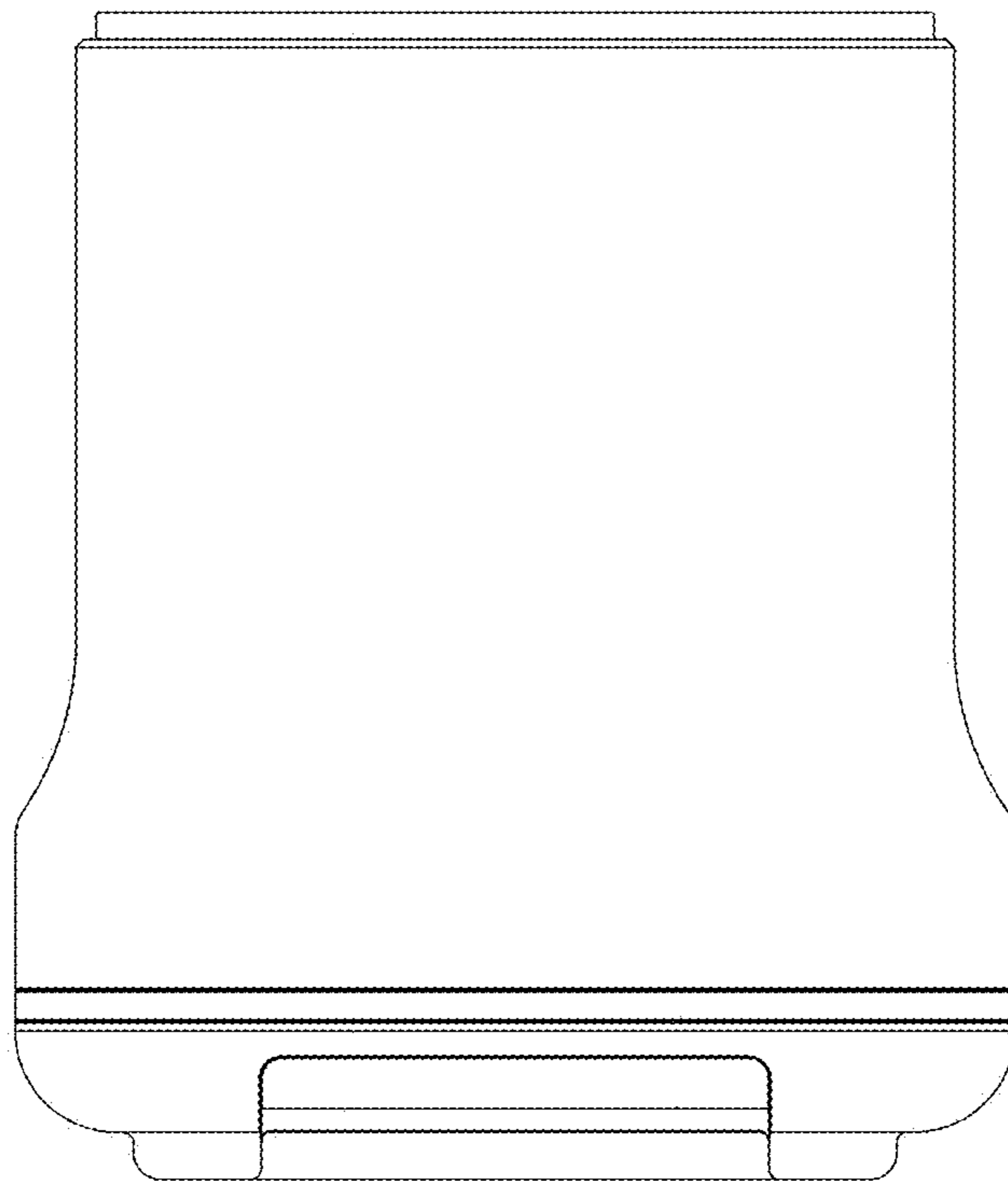
2.1

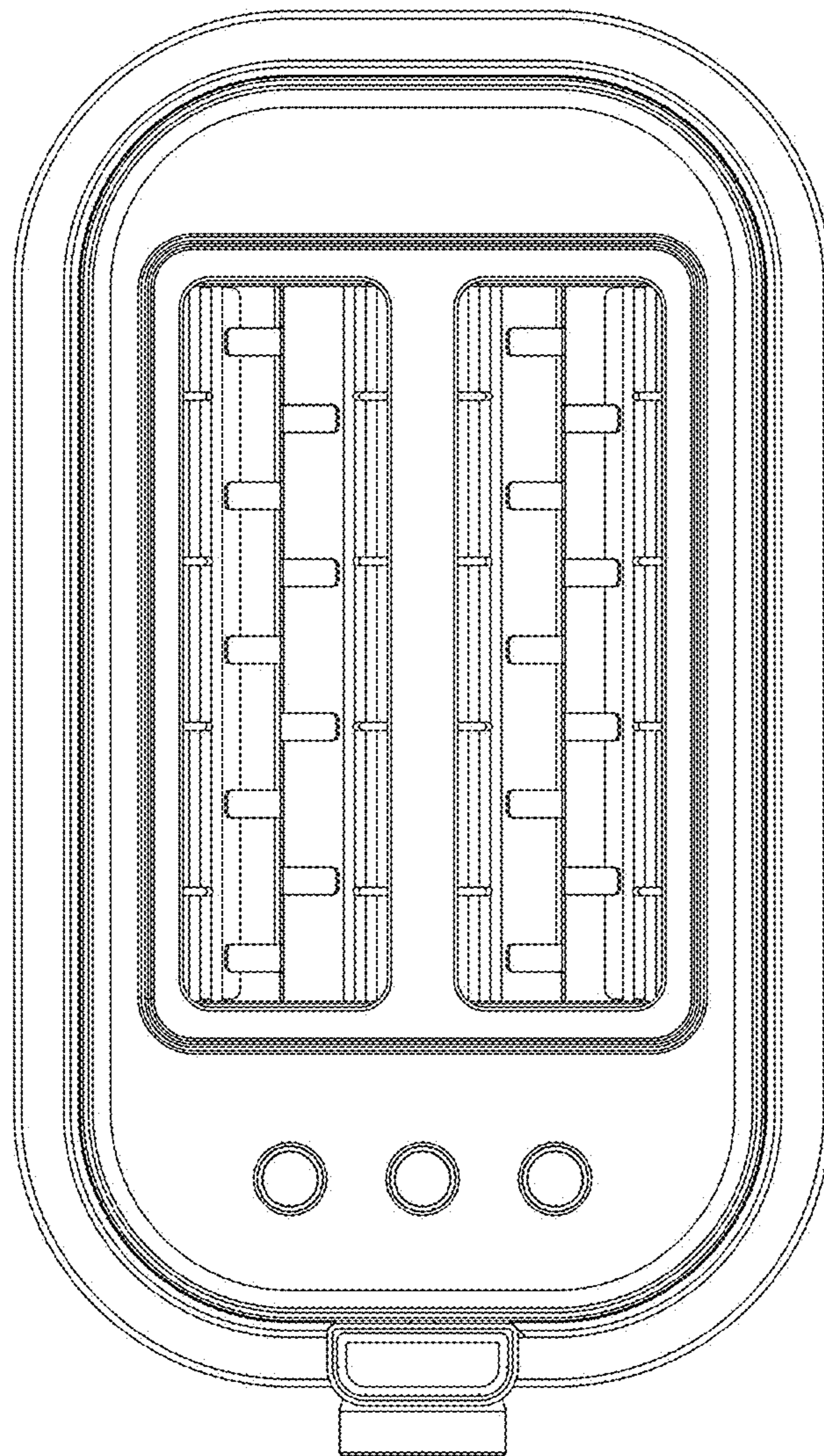


2.3

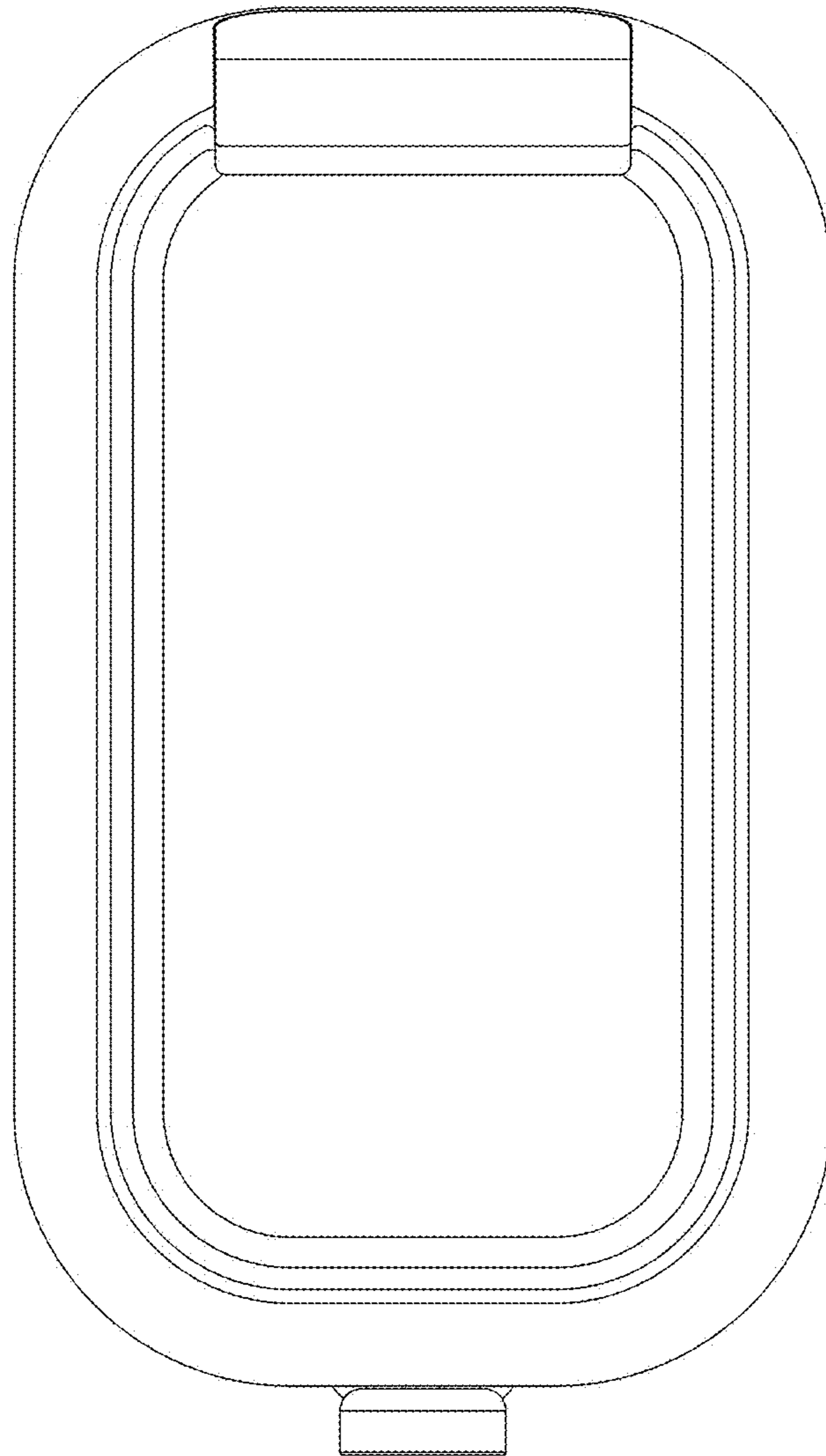


2.4

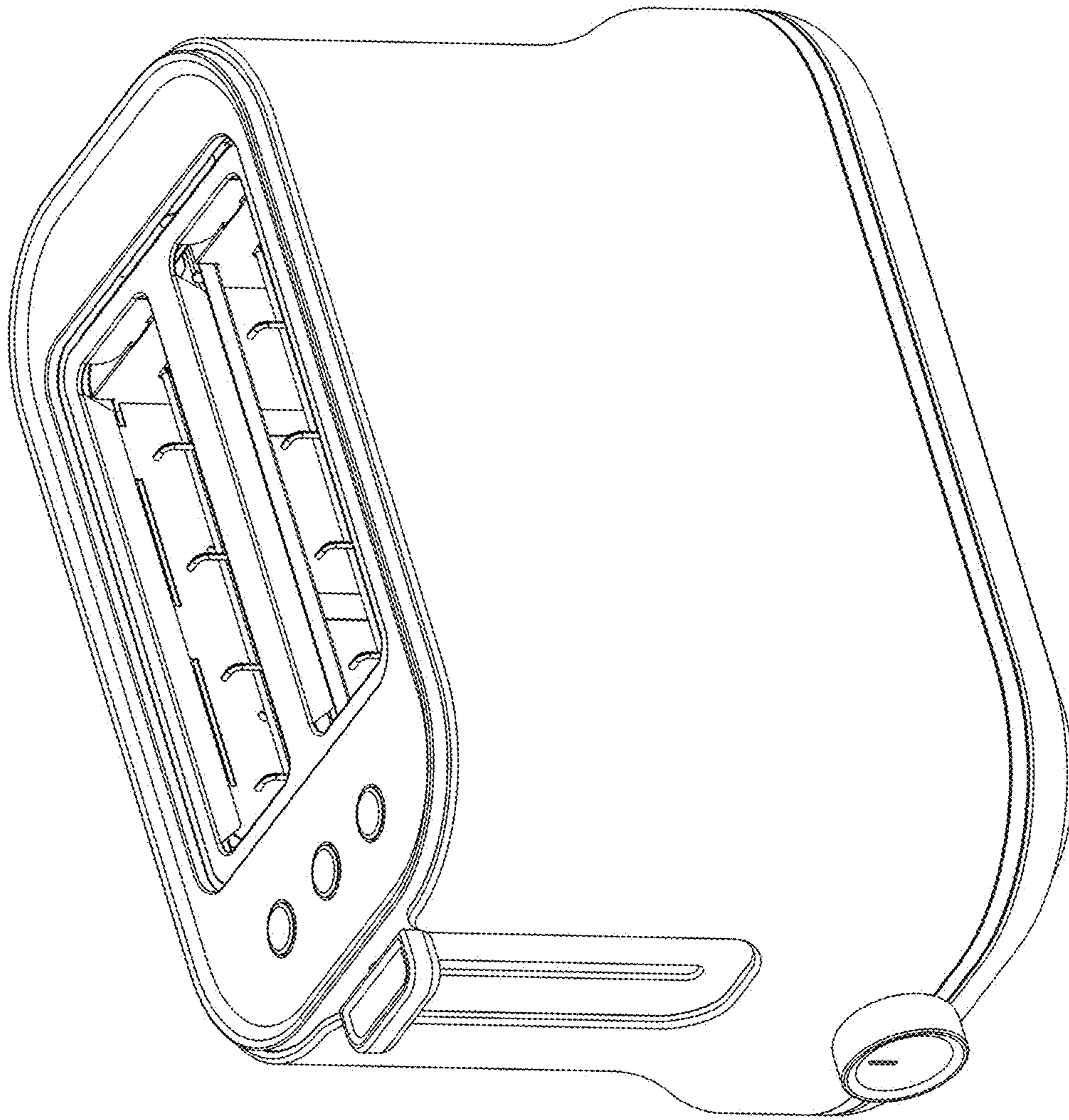




2.5



2.6



2.7