



US00D960627S

(12) **United States Design Patent**
Chen

(10) **Patent No.:** **US D960,627 S**

(45) **Date of Patent:** **** Aug. 16, 2022**

- (54) **COTTON CANDY MACHINE**
- (71) Applicant: **SHENZHEN XICHENG TECHNOLOGY CO., LTD.**, Shenzhen (CN)
- (72) Inventor: **Weijia Chen**, Shenzhen (CN)
- (73) Assignee: **SHENZHEN XICHENG TECHNOLOGY CO., LTD.**, Shenzhen (CN)

- 5,498,144 A * 3/1996 Francis A23G 3/10 425/8
- D383,642 S * 9/1997 Feil D7/384
- D465,966 S 11/2002 Daftari
- D475,238 S * 6/2003 Feil D7/376
- 6,722,869 B2 * 4/2004 Todokoro A23G 3/10 200/566
- D489,505 S * 5/2004 Bond D34/14
- 7,300,269 B2 * 11/2007 Ryan A23G 3/10 425/9
- D577,257 S * 9/2008 Kuan D7/412
- D761,615 S * 7/2016 Dickson, Jr. D7/378
- D799,881 S 10/2017 Bond et al.

(**) Term: **15 Years**

- (21) Appl. No.: **29/807,802**
- (22) Filed: **Sep. 15, 2021**
- (51) **LOC (13) Cl.** **07-02**
- (52) **U.S. Cl.**
USPC **D7/325; D7/323**
- (58) **Field of Classification Search**
USPC D7/323, 325, 337, 339, 346-347, 350.1, D7/350.4, 354, 362, 368, 376, 379, 391, D7/412, 602, 629; D34/14
CPC . A23G 3/10; A23L 1/01; A23L 1/0128; A23L 1/10; A23L 1/18; A23L 1/1802; A23L 1/1812; A23L 1/1815; A23L 1/1817; A23L 1/217; A23P 1/14; A23P 1/142; A23P 1/144; A23P 1/146; A23P 1/148; A47J 27/004; A47J 36/027; A47J 36/06; B65D 81/34; B65D 81/3407; B65D 81/3446; B65D 81/3453
See application file for complete search history.

(56) **References Cited**

U.S. PATENT DOCUMENTS

- 4,793,782 A * 12/1988 Sullivan A23G 3/10 425/7
- D306,389 S * 3/1990 Nasui D7/354
- 5,145,687 A * 9/1992 Parker A23G 3/10 425/9

(Continued)

OTHER PUBLICATIONS

NODEMASH Cotton Candy Machine. Date First Available on Amazon.com Apr. 6, 2021. <https://www.amazon.com/NODEMASH-Cotton-Candy-Machine-Splash-Proof/dp/B091ZN5B3P/ref> (Year: 2021).*

Primary Examiner — Ricky Pham

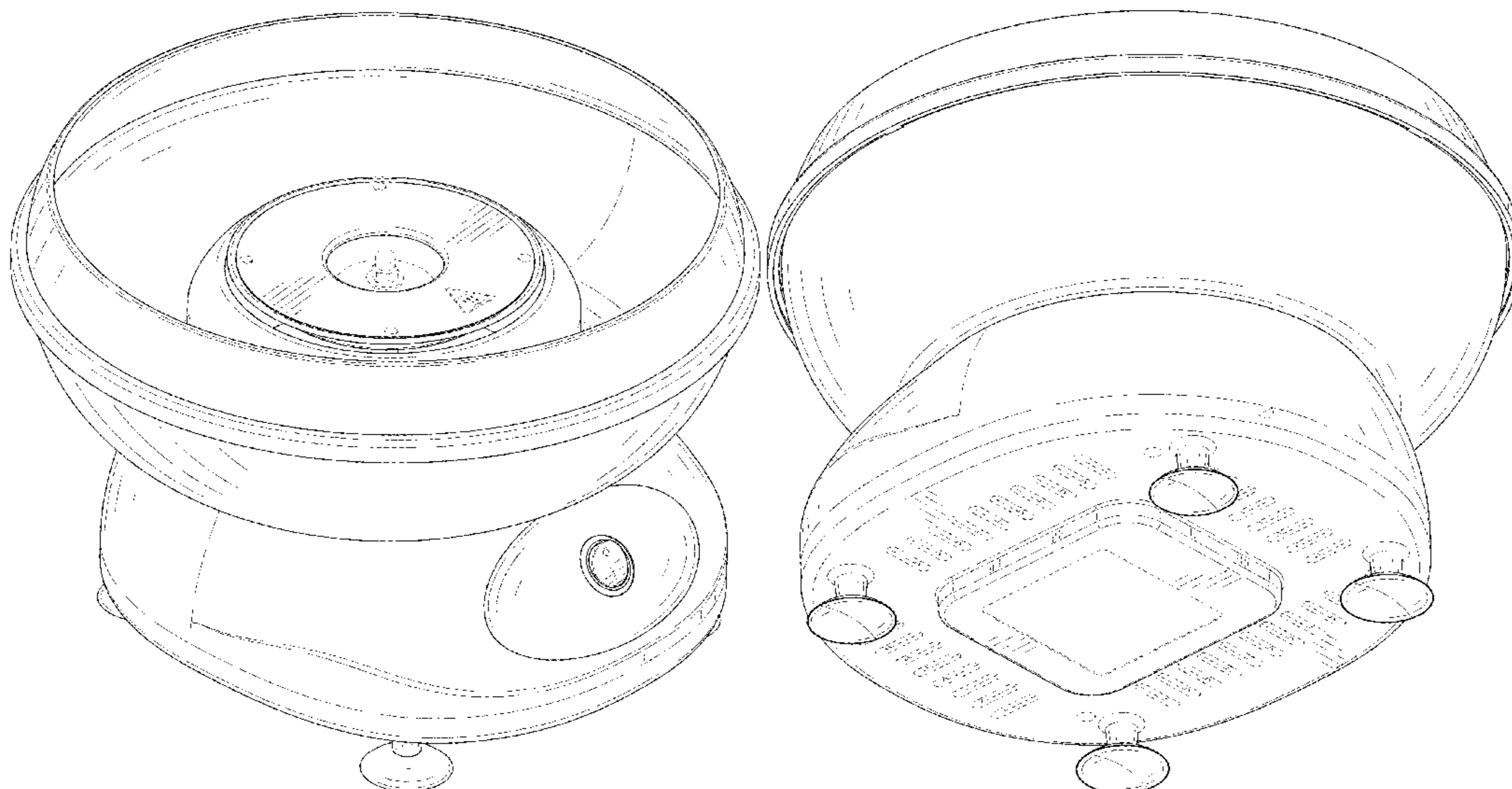
(57) **CLAIM**

The ornamental design for a cotton candy machine, as shown and described.

DESCRIPTION

FIG. 1 is a perspective view of a cotton candy machine showing my new design;
 FIG. 2 is another perspective view thereof;
 FIG. 3 is a front elevational view thereof;
 FIG. 4 is a rear elevational view thereof;
 FIG. 5 is a left side elevational view thereof;
 FIG. 6 is a right side elevational view thereof;
 FIG. 7 is a top plan view thereof; and,
 FIG. 8 is a bottom plan view thereof.
 The broken lines in the drawings depict portions of the cotton candy machine that form no part of the claimed design.

1 Claim, 8 Drawing Sheets



(56)

References Cited

U.S. PATENT DOCUMENTS

D873,069 S * 1/2020 Cottam D7/379
D895,343 S * 9/2020 Bond D7/323

* cited by examiner

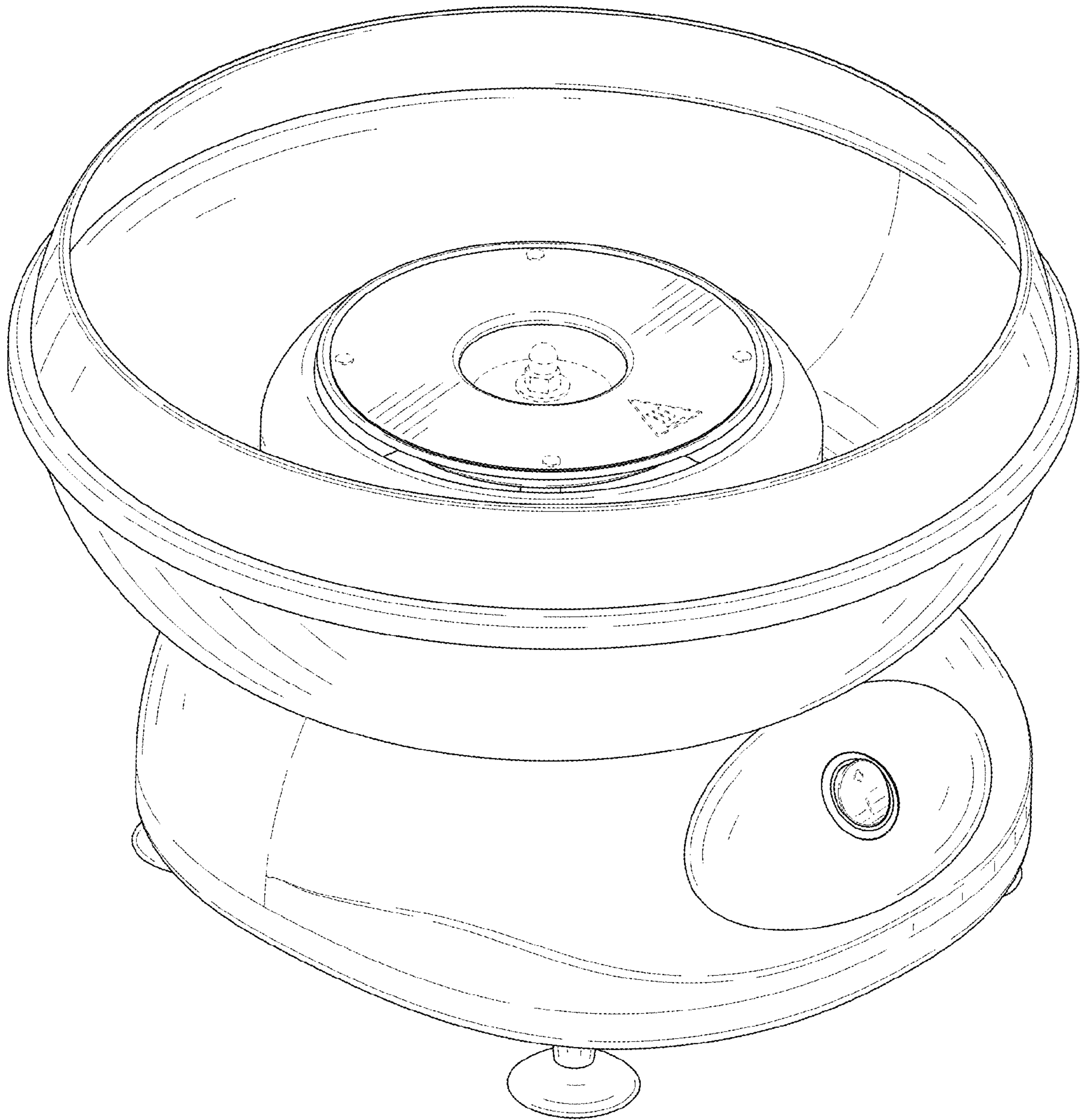


FIG. 1

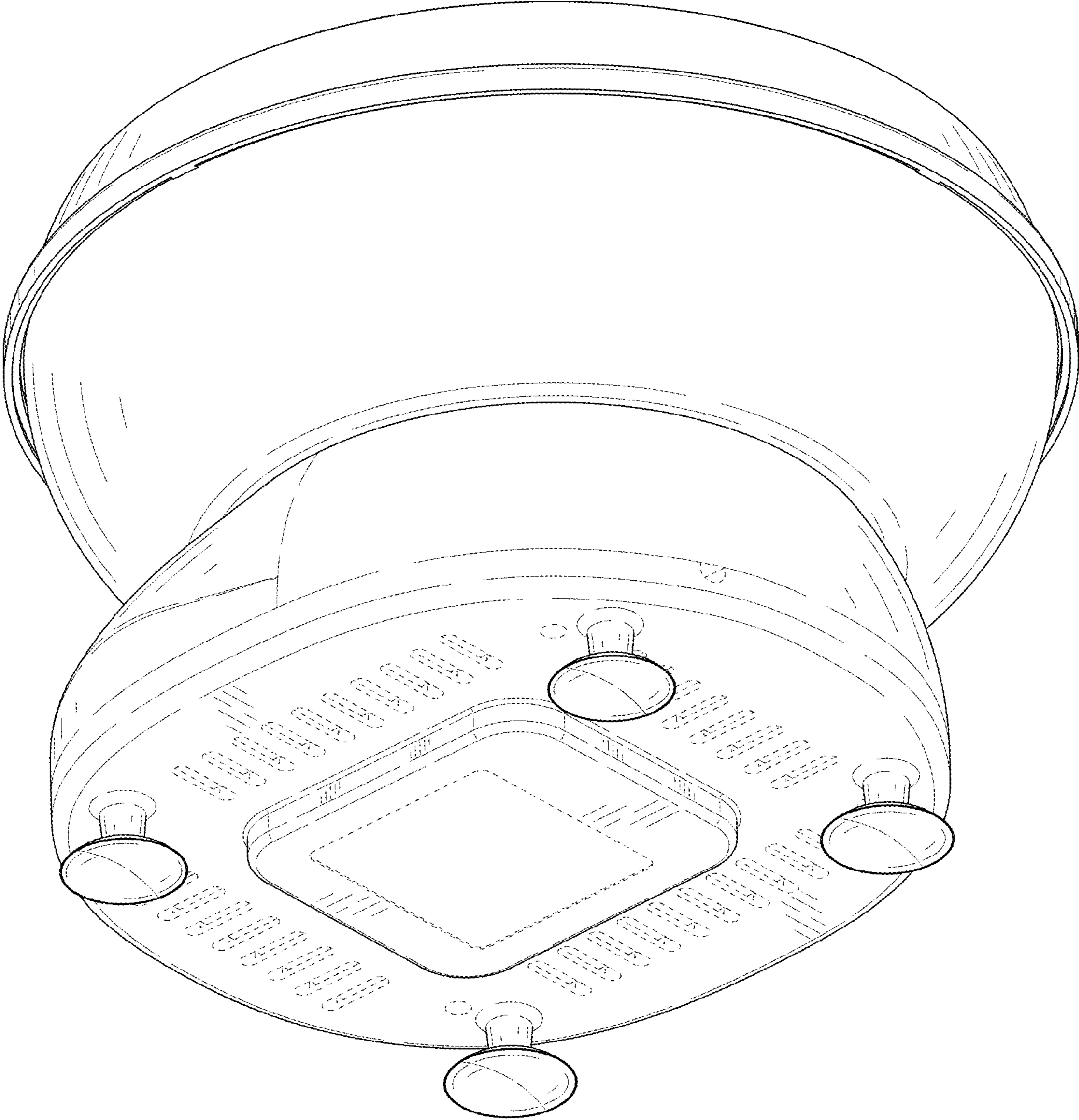


FIG. 2

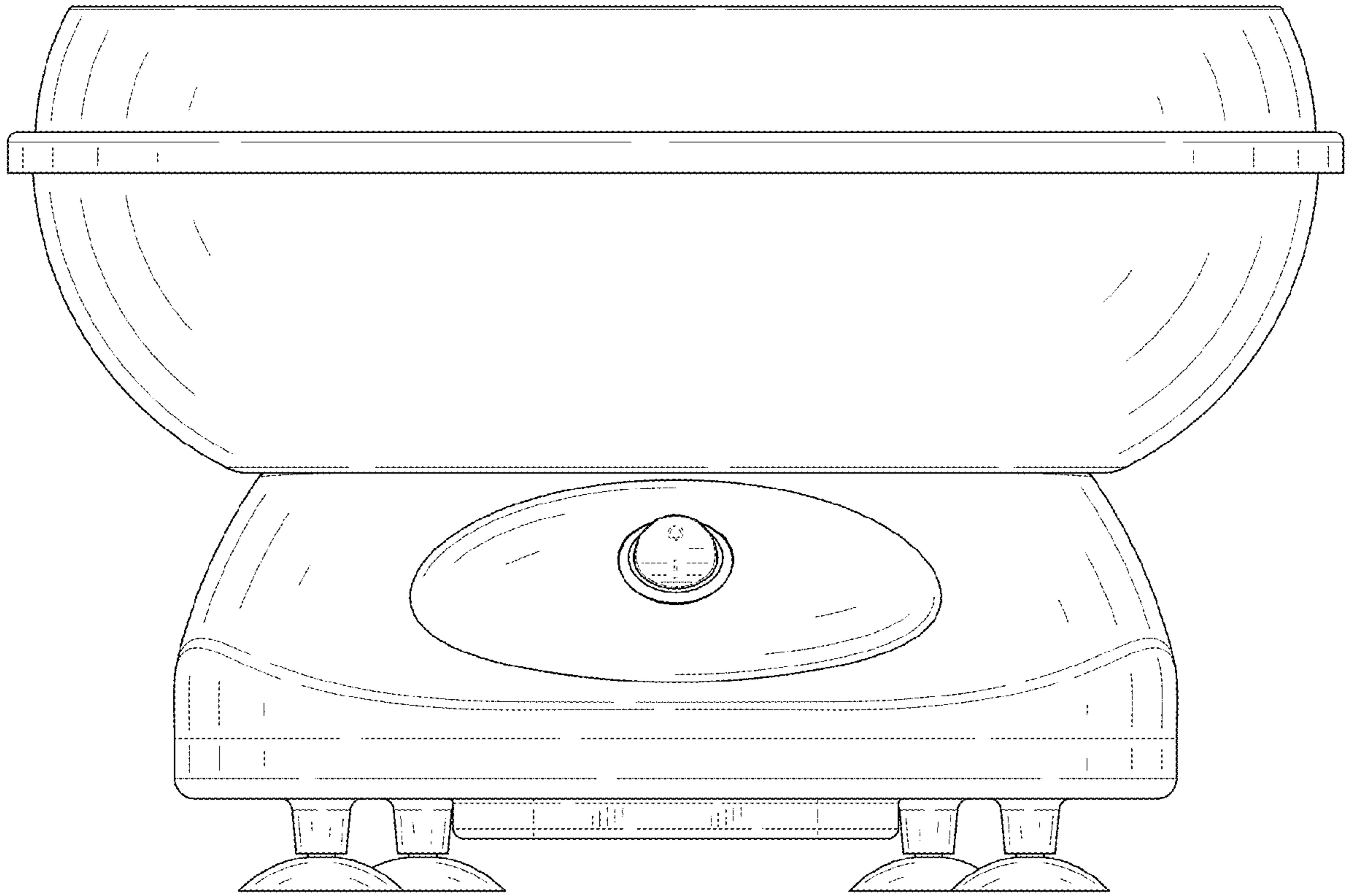


FIG. 3

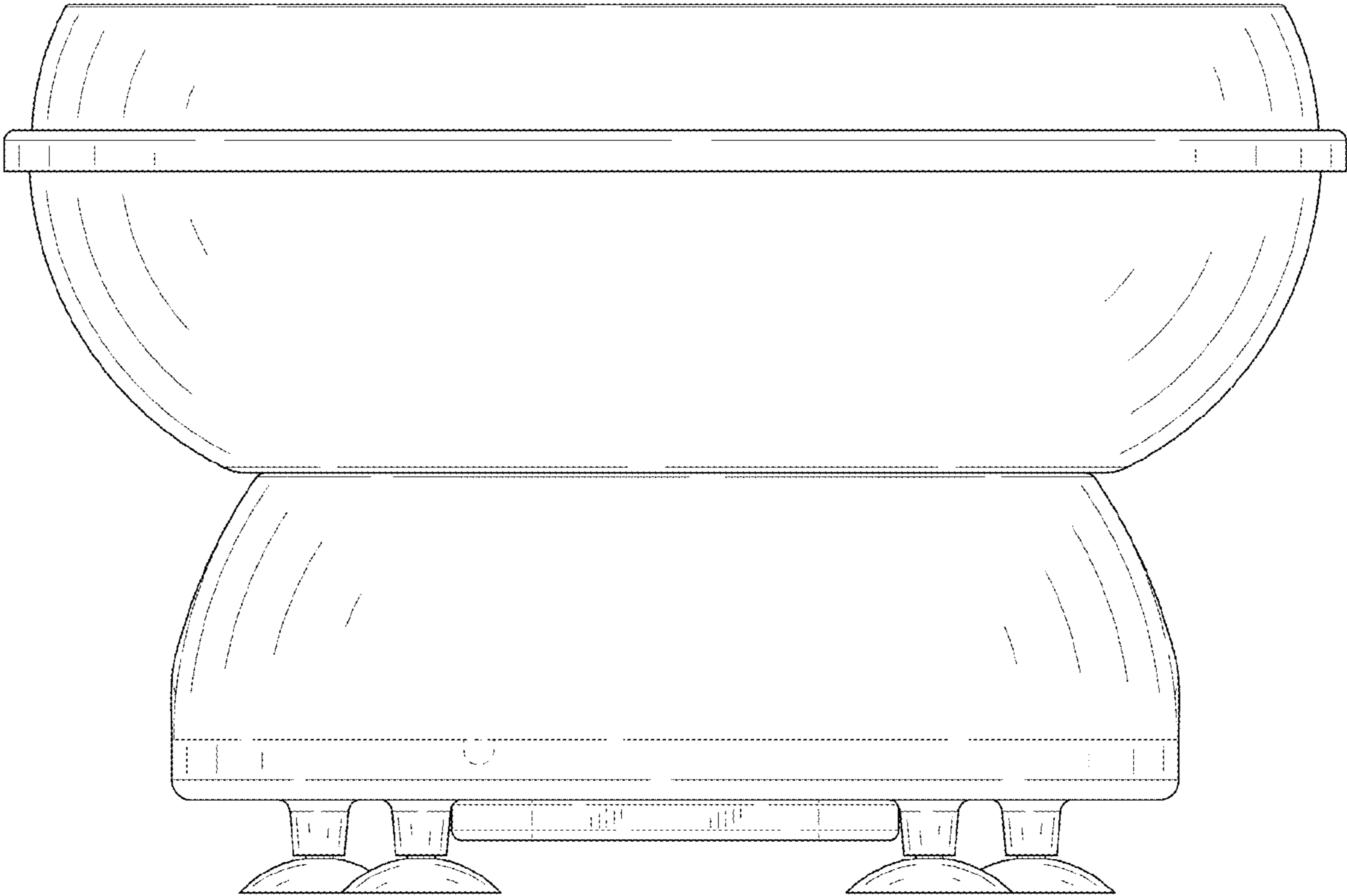


FIG. 4

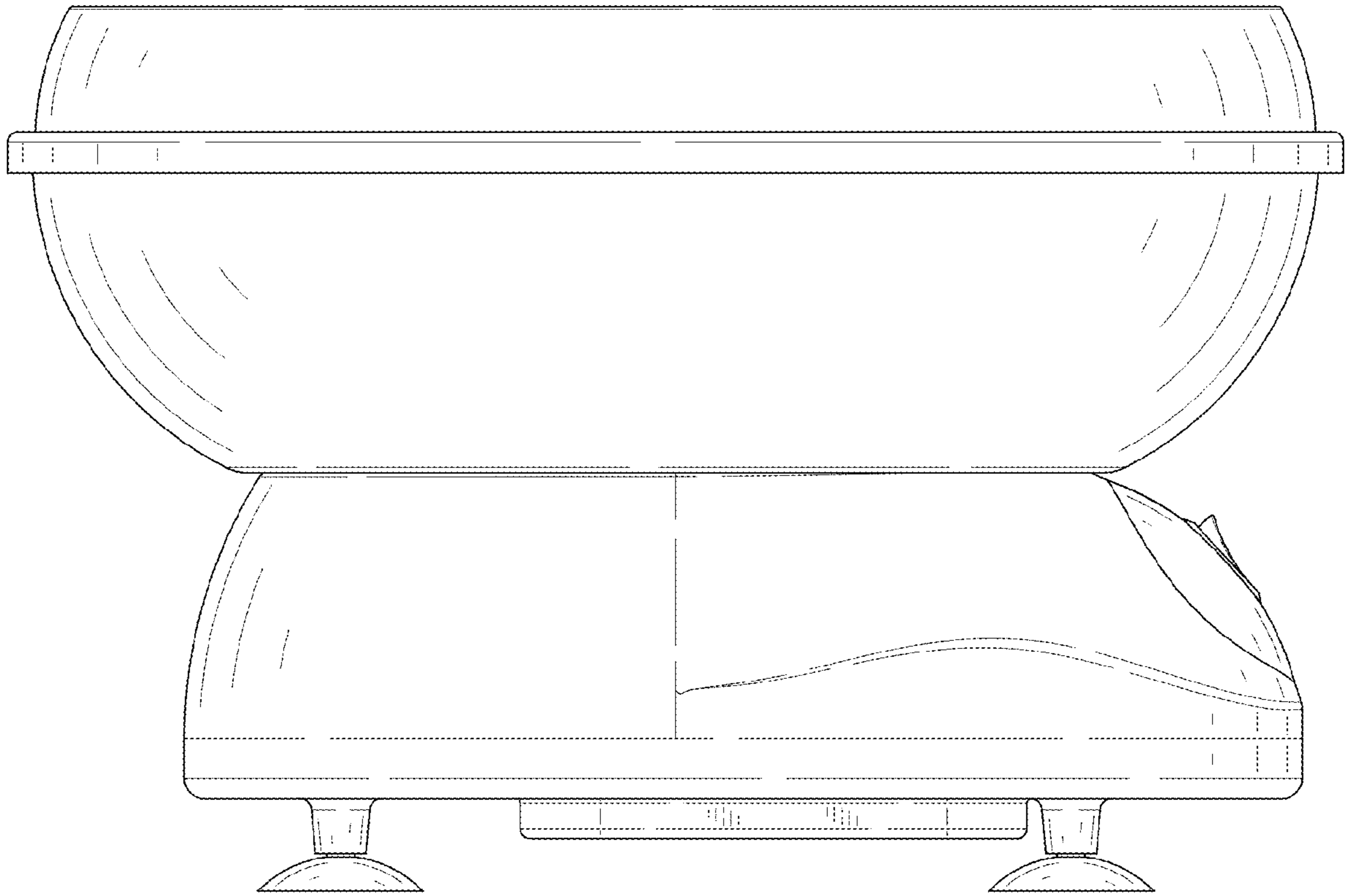


FIG. 5

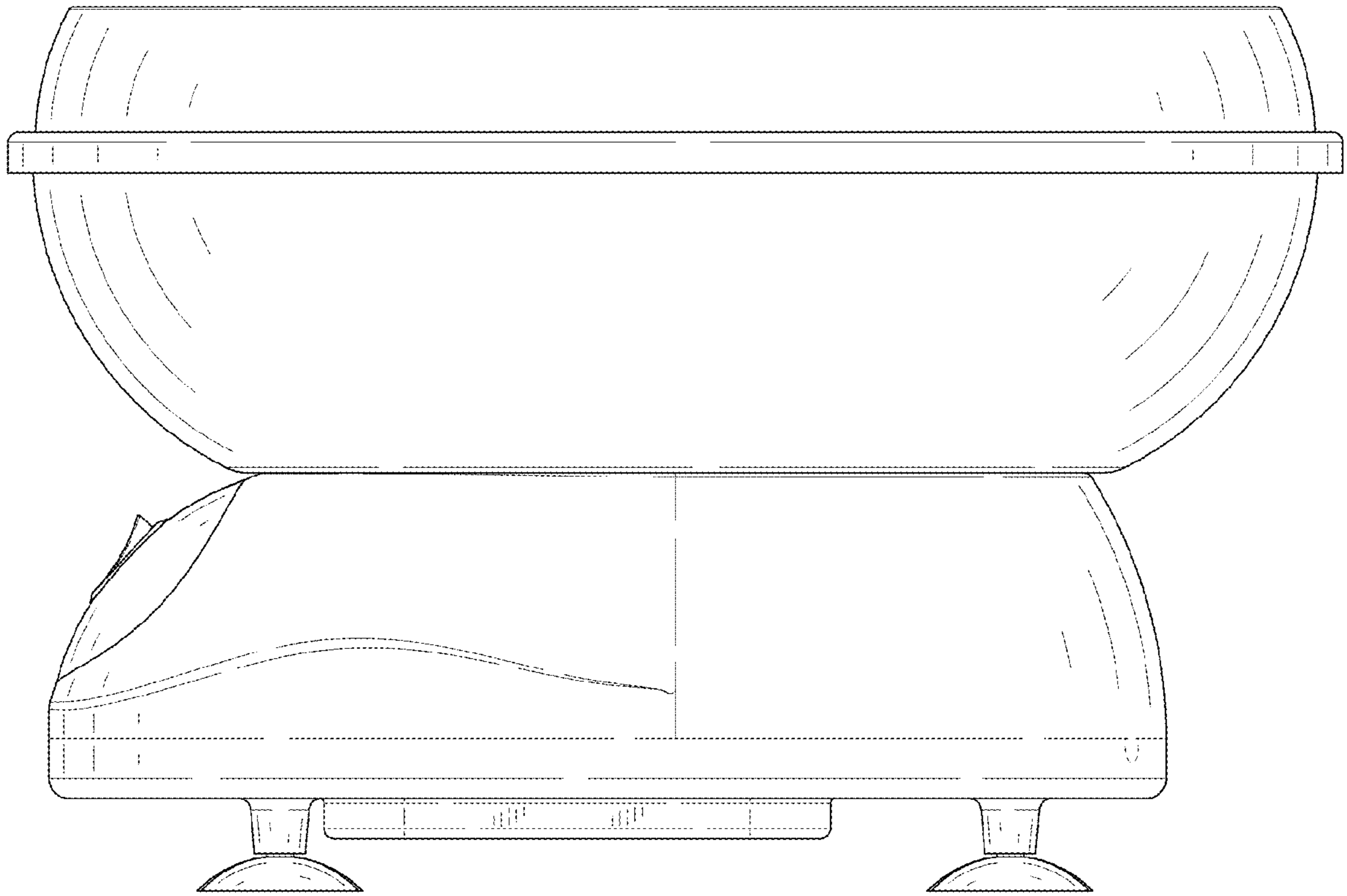


FIG. 6

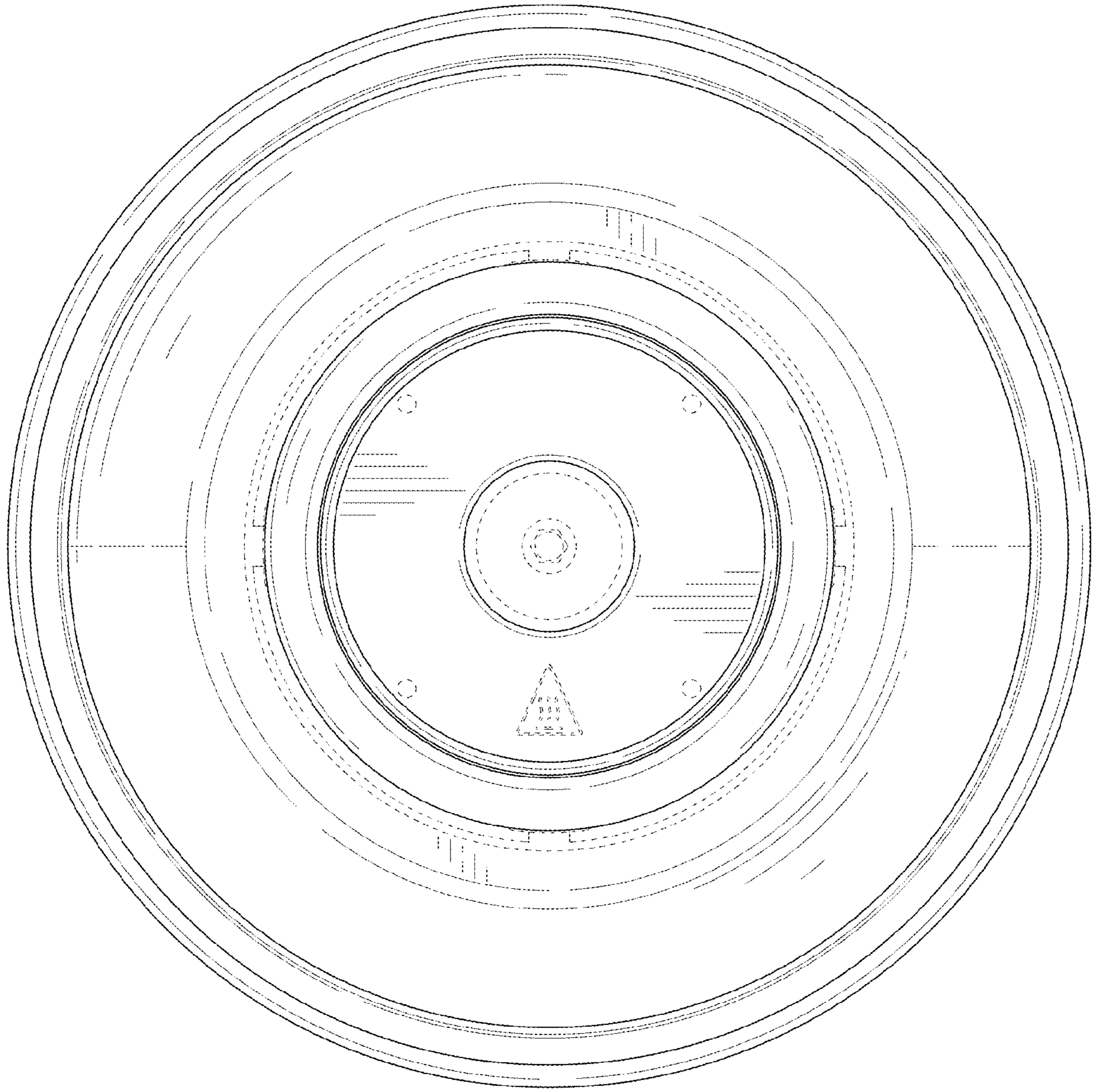


FIG. 7

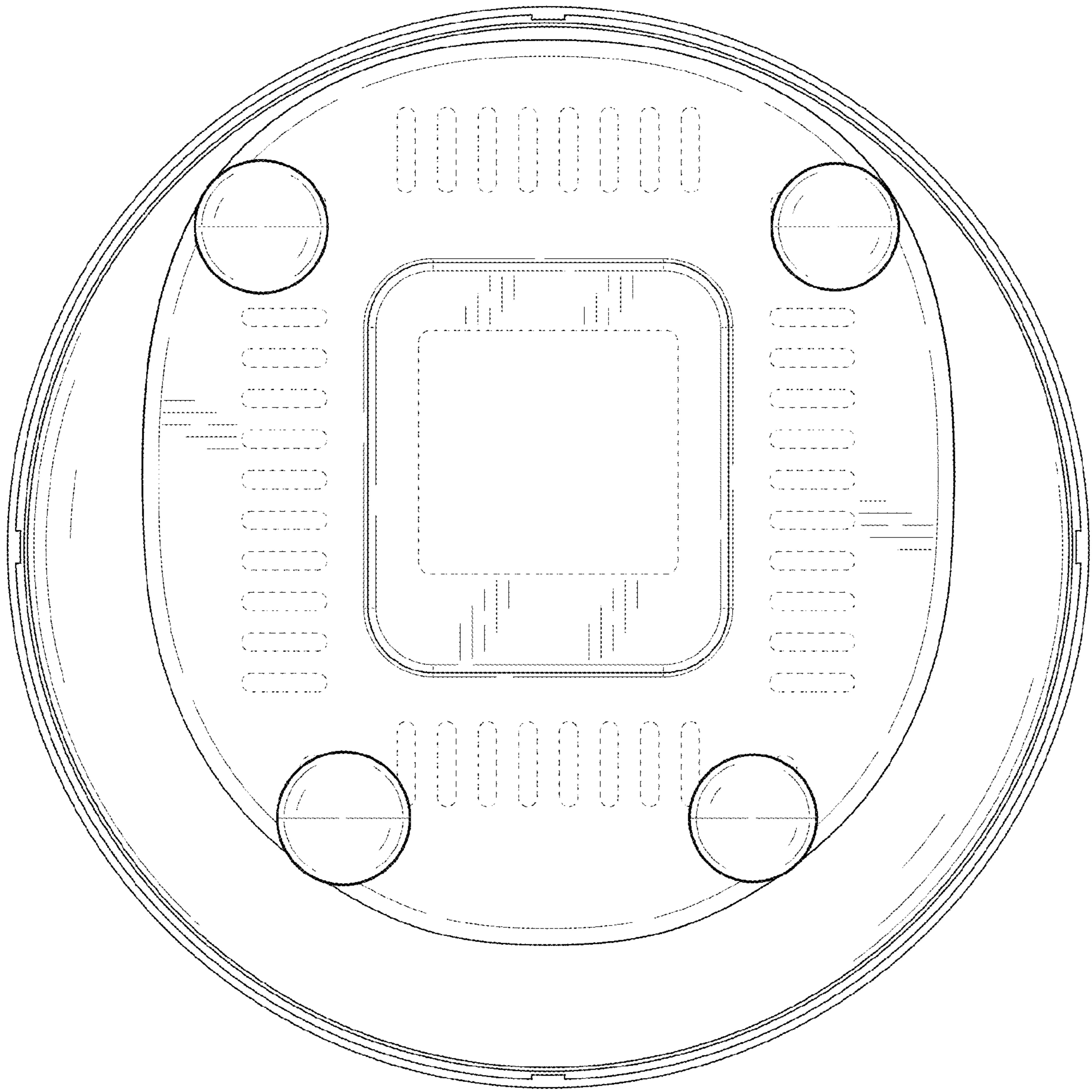


FIG. 8