

US00D960625S

(12) **United States Design Patent**
Kim et al.

(10) **Patent No.:** **US D960,625 S**
(45) **Date of Patent:** **** Aug. 16, 2022**

(54) **DRIP COFFEE MACHINE**

(71) Applicant: **LG ELECTRONICS INC.**, Seoul (KR)

(72) Inventors: **Byeongkook Kim**, Seoul (KR); **Woonkyu Seo**, Seoul (KR); **Hanjin Jung**, Seoul (KR); **Hyun Choi**, Seoul (KR)

(73) Assignee: **LG ELECTRONICS INC.**, Seoul (KR)

(**) Term: **15 Years**

(21) Appl. No.: **29/798,344**

(22) Filed: **Jul. 7, 2021**

(30) **Foreign Application Priority Data**

Jan. 12, 2021 (KR) 30-2021-0001574

(51) **LOC (13) Cl.** **07-01**

(52) **U.S. Cl.**
USPC **D7/309**; D7/306; D7/310; D7/311

(58) **Field of Classification Search**
USPC D7/300, 305-313, 355, 362, 365, 367, D7/397-400; D15/80, 82; D23/207, 238, D23/239

CPC A47J 31/00; A47J 31/0573; A47J 31/0615; A47J 31/18; A47J 31/32; A47J 31/369; A47J 31/407; A47J 31/4407; A47J 31/445; A47J 31/4482; A47J 31/46; A47J 31/467; A47J 31/50; A47J 31/525; A23F 5/262; A23F 5/265; A23F 5/267; B67D 1/0021; A23L 2/54; B67C 3/065
See application file for complete search history.

(56) **References Cited**

U.S. PATENT DOCUMENTS

D218,191 S * 7/1970 Tevolitz D7/309
D229,897 S * 1/1974 Martin D7/309
D248,720 S * 8/1978 Sato D7/309
5,060,558 A * 10/1991 Beumer A47J 31/445
99/295

(Continued)

FOREIGN PATENT DOCUMENTS

CN 304147311 * 5/2017

OTHER PUBLICATIONS

“Calphalon Special Brew Coffee Maker Instruction Manual,” Oct. 14, 2018, pp. 1, 5, <http://images.calphalon.com/is/content/Calphalon/PDF/BVCLDCG1.pdf> (Year: 2018).*

(Continued)

Primary Examiner — Joseph Kukella

Assistant Examiner — Arva P Adams

(74) *Attorney, Agent, or Firm* — Birch, Stewart, Kolasch & Birch, LLP

(57) **CLAIM**

We claim the ornamental design for a drip coffee machine, as shown and described.

DESCRIPTION

FIG. 1 is a front perspective view of a drip coffee machine showing a new design:

FIG. 2 is a bottom perspective view thereof;

FIG. 3 is a front view thereof;

FIG. 4 is a rear view thereof;

FIG. 5 is a left-side elevation view thereof;

FIG. 6 is a right-side elevation view thereof;

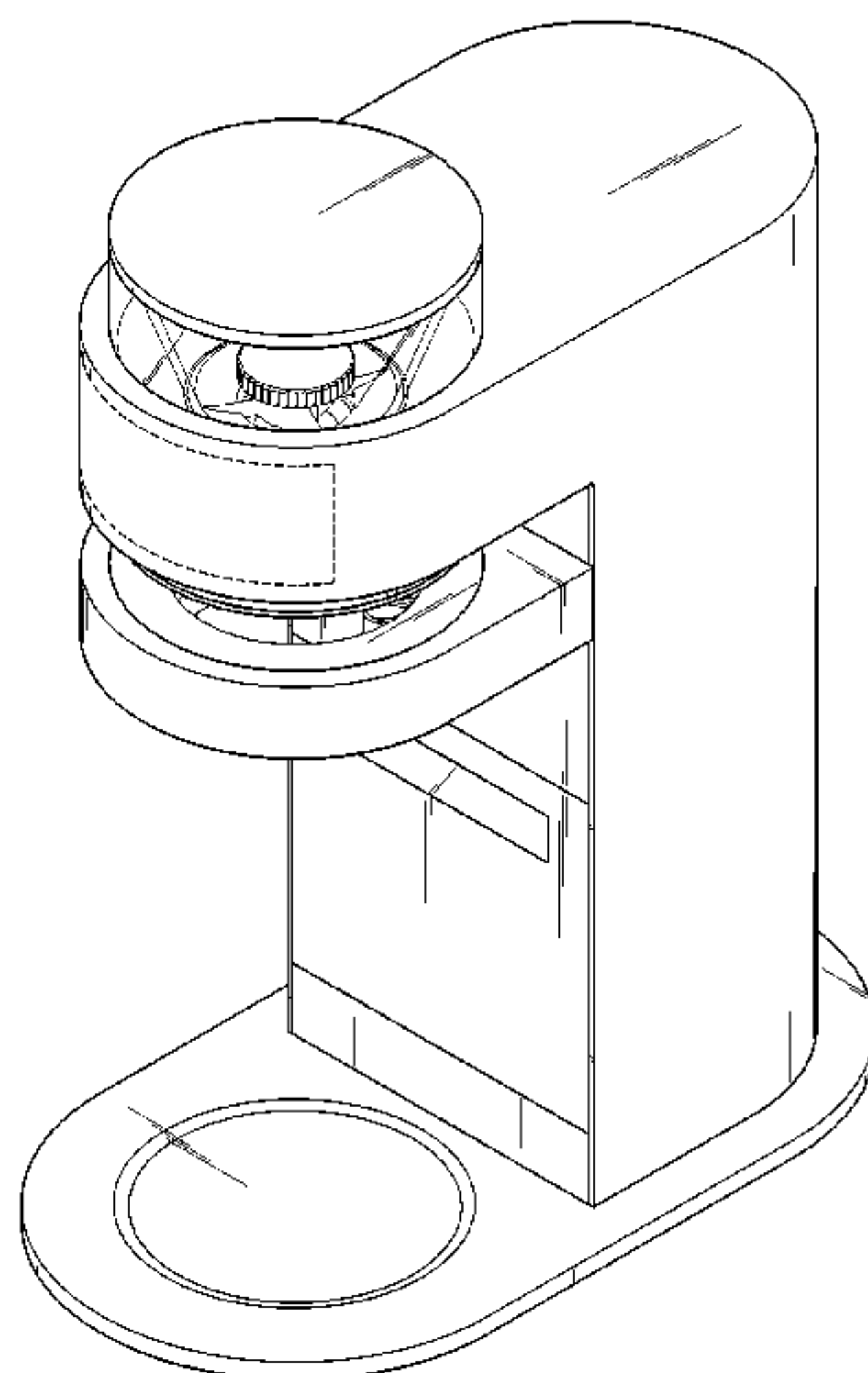
FIG. 7 is a top plan view thereof;

FIG. 8 is a bottom plan view thereof; and,

FIG. 9 is a perspective view showing a state of use thereof.

The broken lines shown in the drawings depict environmental subject matter that forms no part of the claimed design.

1 Claim, 9 Drawing Sheets



(56)

References Cited

U.S. PATENT DOCUMENTS

5,913,961 A * 6/1999 Chmiel A47J 31/0573
 99/307
 D546,112 S * 7/2007 Rorke D7/311
 D550,499 S * 9/2007 Argabrite D7/311
 D580,208 S * 11/2008 Cheng D7/311
 D660,637 S * 5/2012 Milewski D23/207
 D669,154 S * 10/2012 Choi D23/207
 D672,187 S * 12/2012 Milewski D7/311
 D683,421 S * 5/2013 Choi D23/207
 D804,893 S * 12/2017 De1 D7/378
 D812,956 S * 3/2018 Liang D7/397
 D825,244 S * 8/2018 Bodum D7/311
 D828,064 S * 9/2018 McDonald D7/311
 D838,531 S * 1/2019 Bodum D7/311
 D846,329 S * 4/2019 Zimmermann D7/311
 D856,058 S * 8/2019 Szabo D7/306
 D879,530 S * 3/2020 Cauwood D7/311
 D882,321 S * 4/2020 Fisher Wong D7/311
 D889,906 S * 7/2020 Yin A47J 31/0573
 D7/397
 D921,151 S * 6/2021 Cho A47J 31/445
 D23/207

OTHER PUBLICATIONS

Bryman, Howard, "Goat Story Unveils the Arco Manual/Electric Grinder," Dec. 15, 2020, Daily Coffee News, <https://dailycoffeenews.com/2020/12/15/goat-story-unveils-the-arco-manual-electric-grinder/> (Year: 2020).*

* cited by examiner

FIG. 1

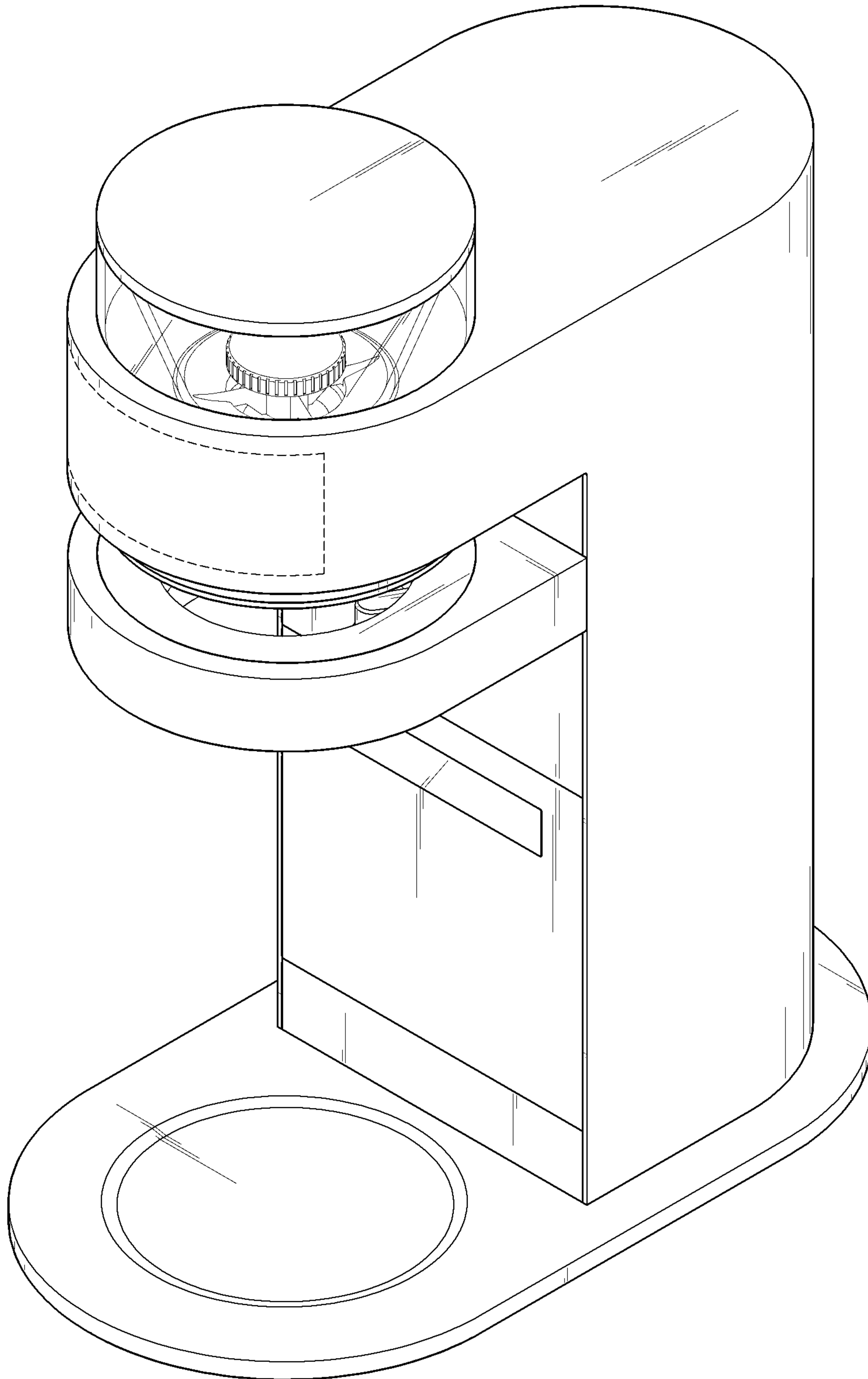


FIG. 2

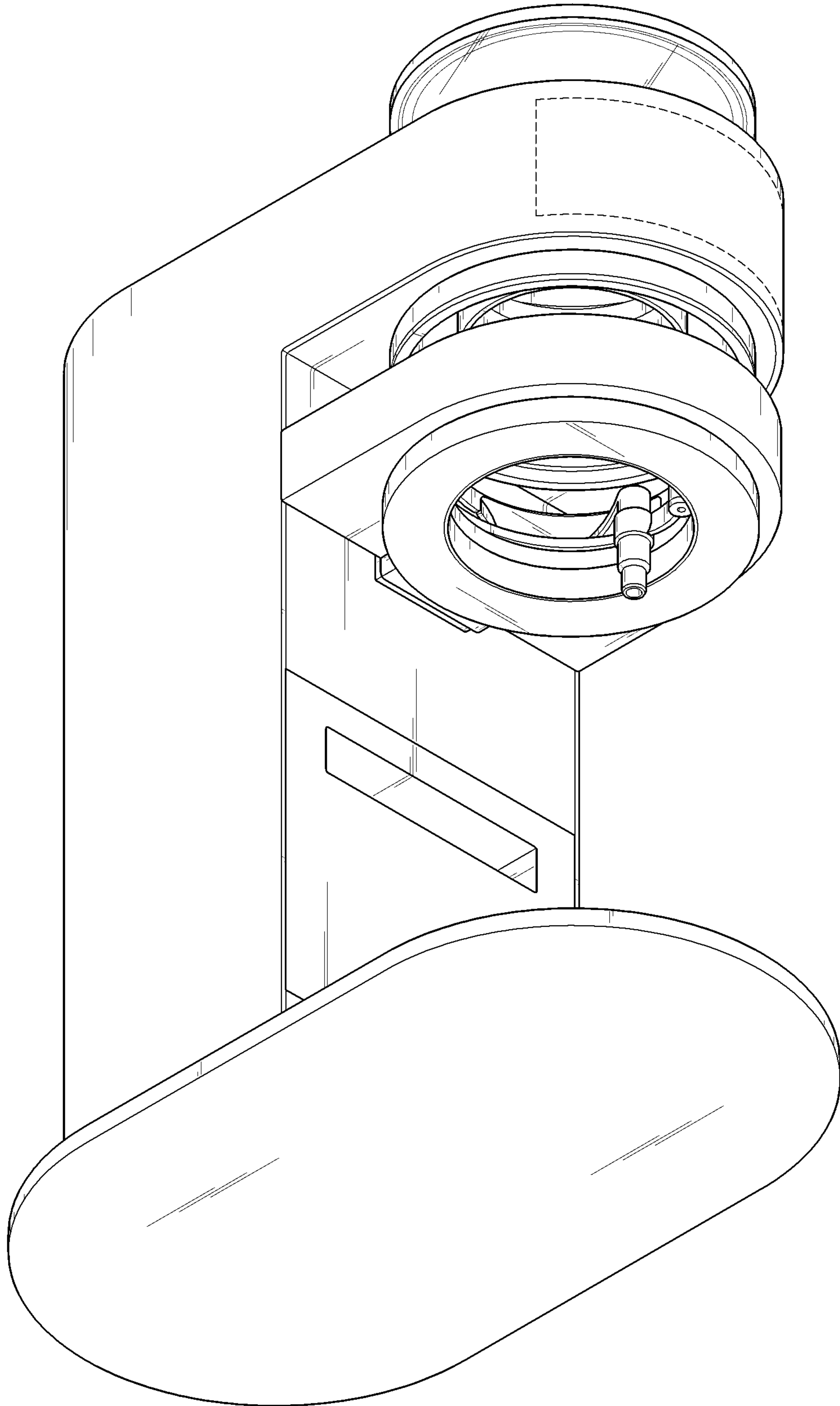


FIG. 3

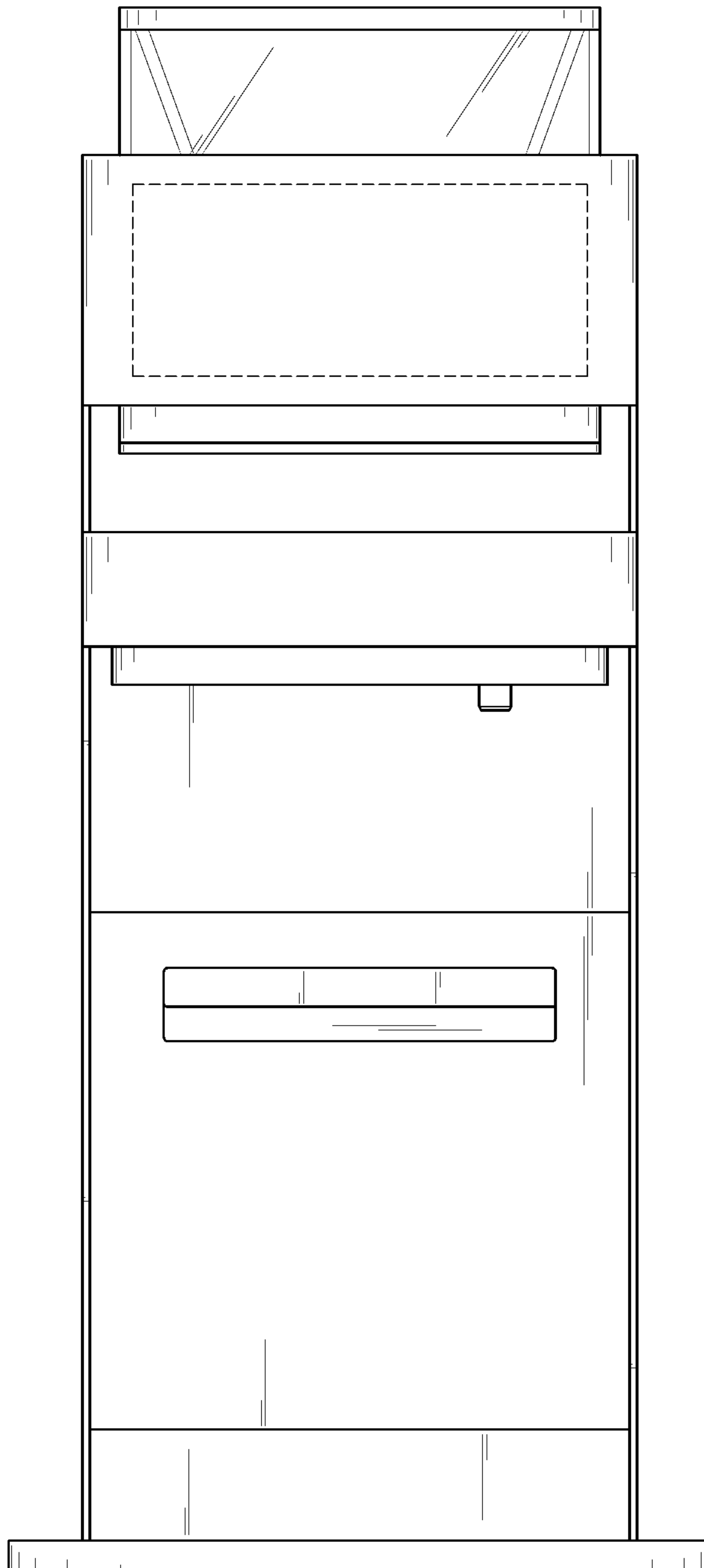


FIG. 4

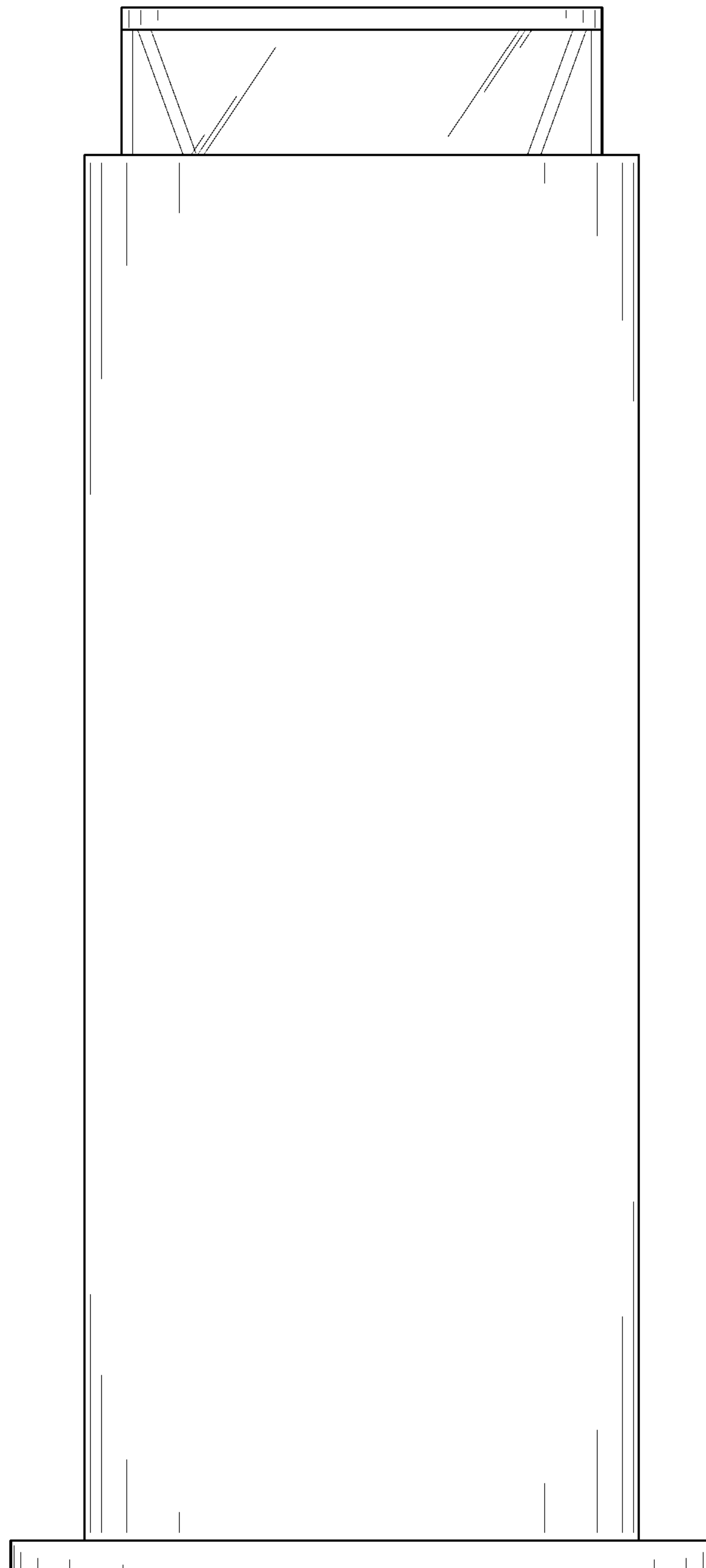


FIG. 5

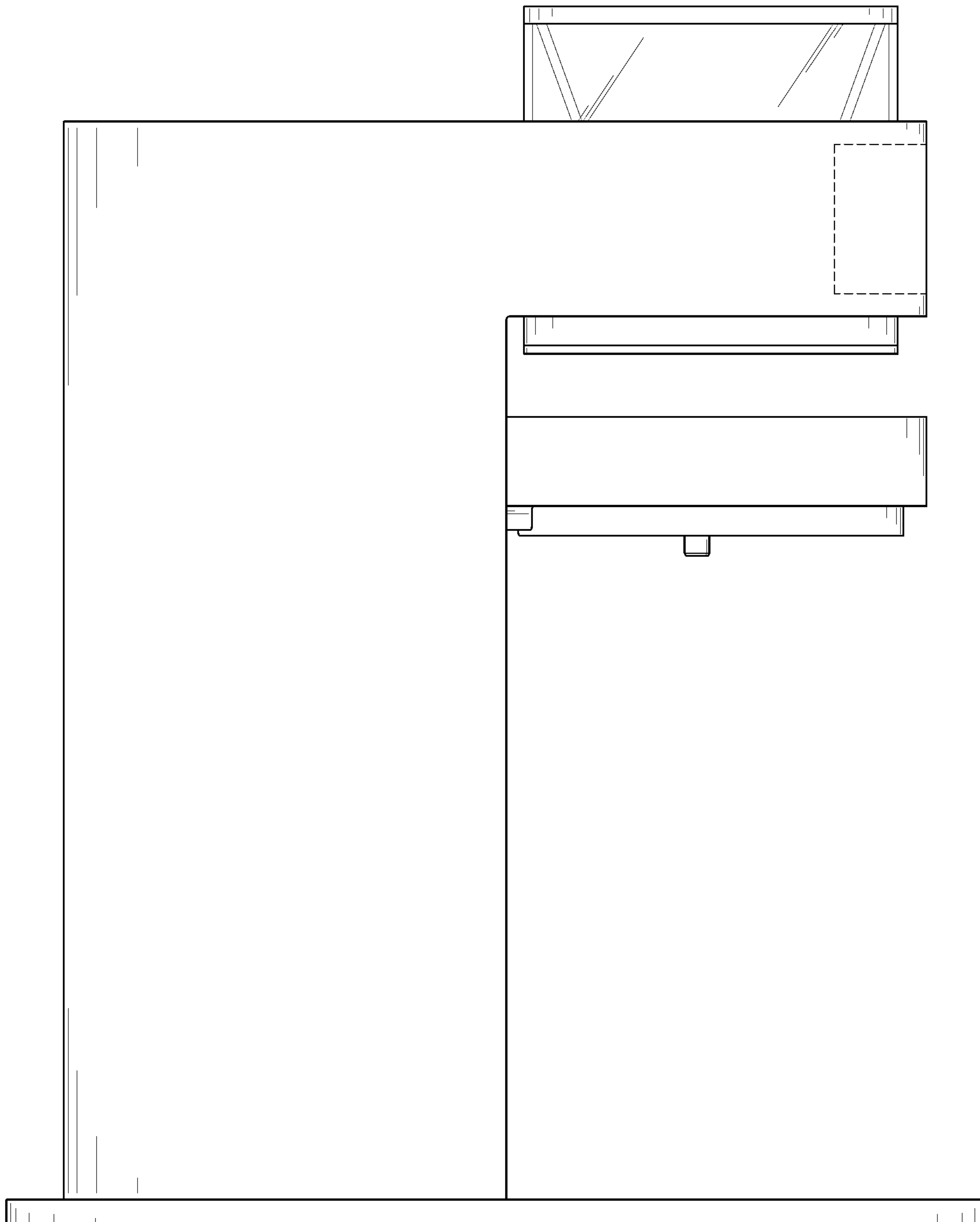


FIG. 6

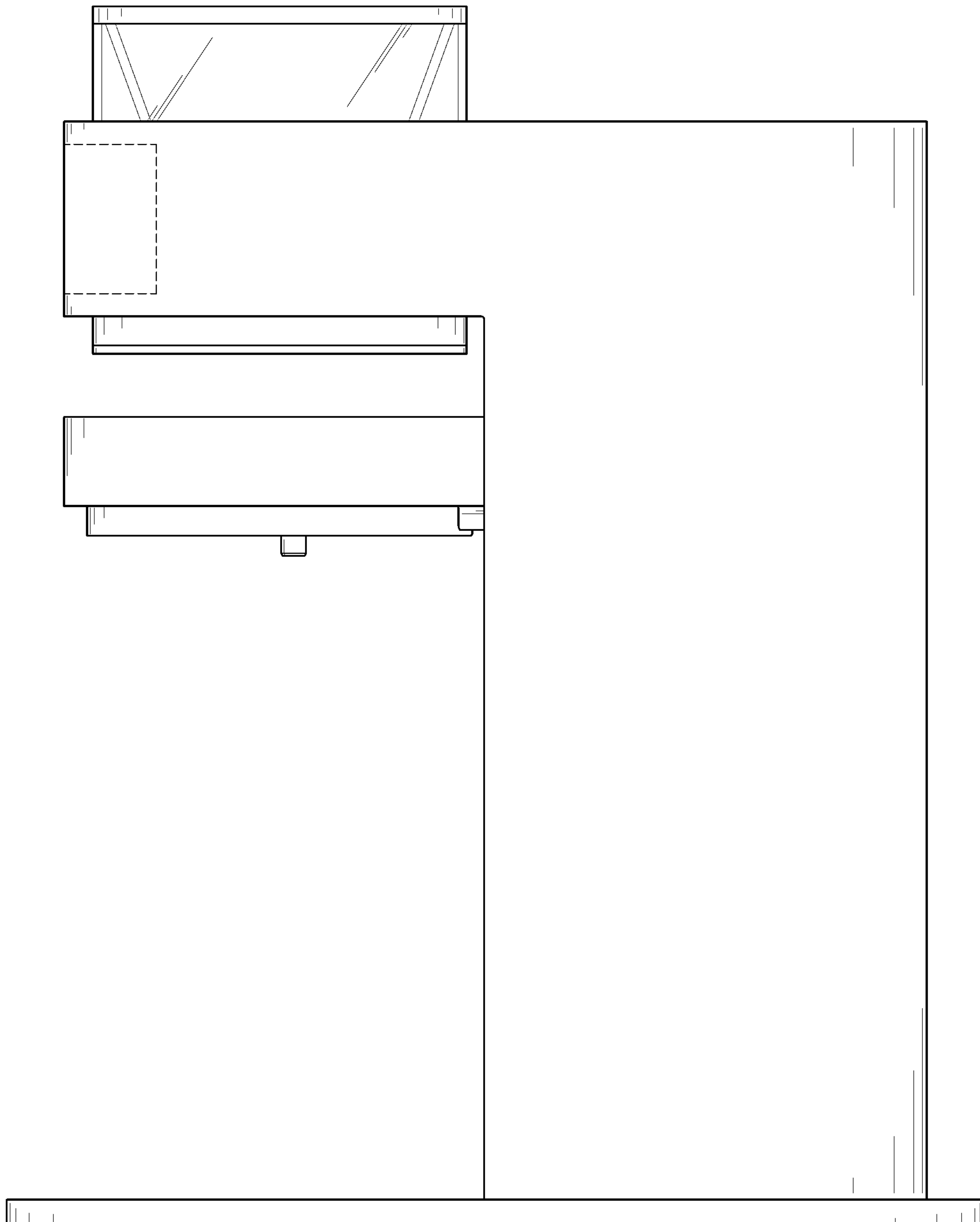


FIG. 7

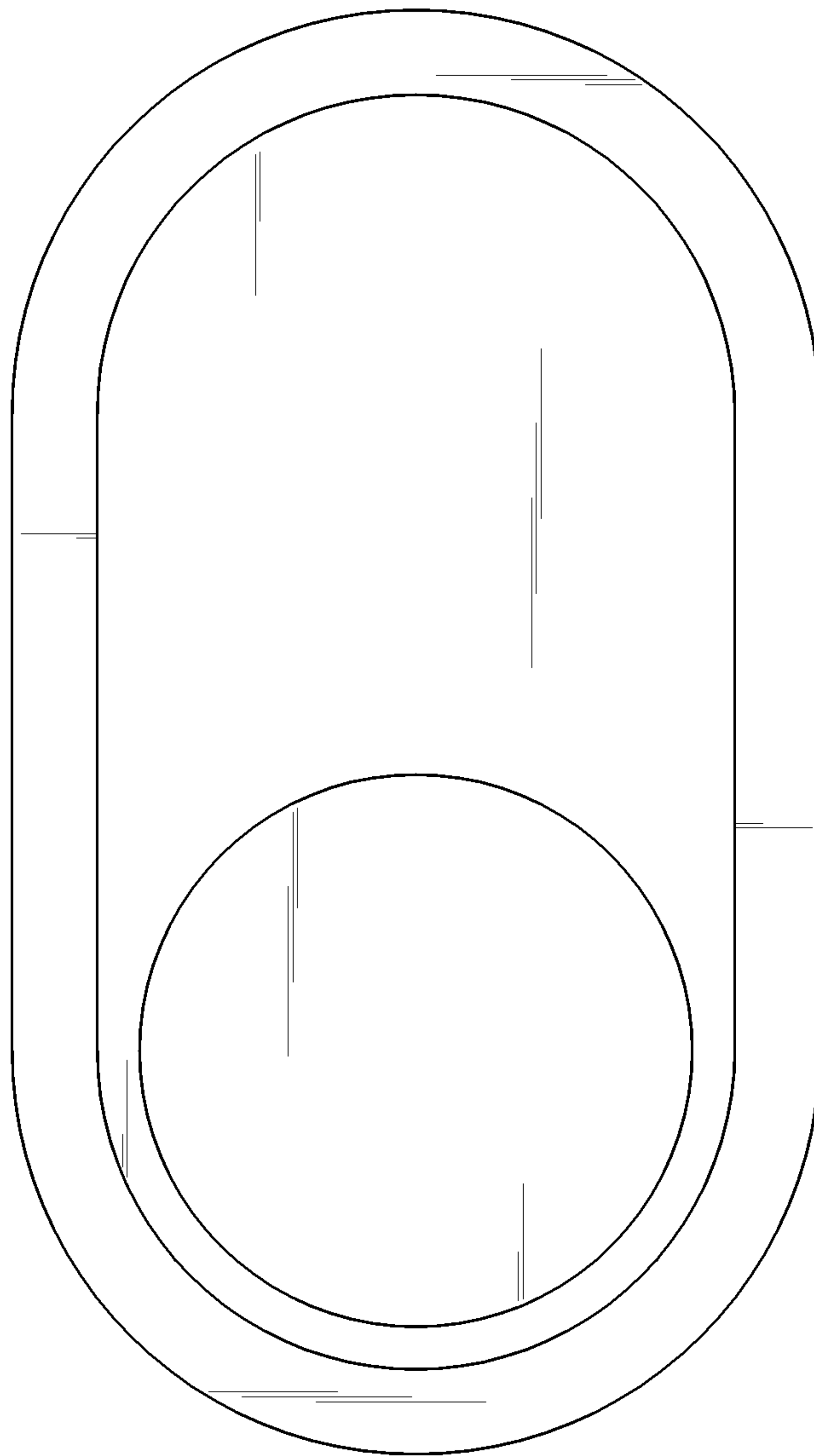


FIG. 8

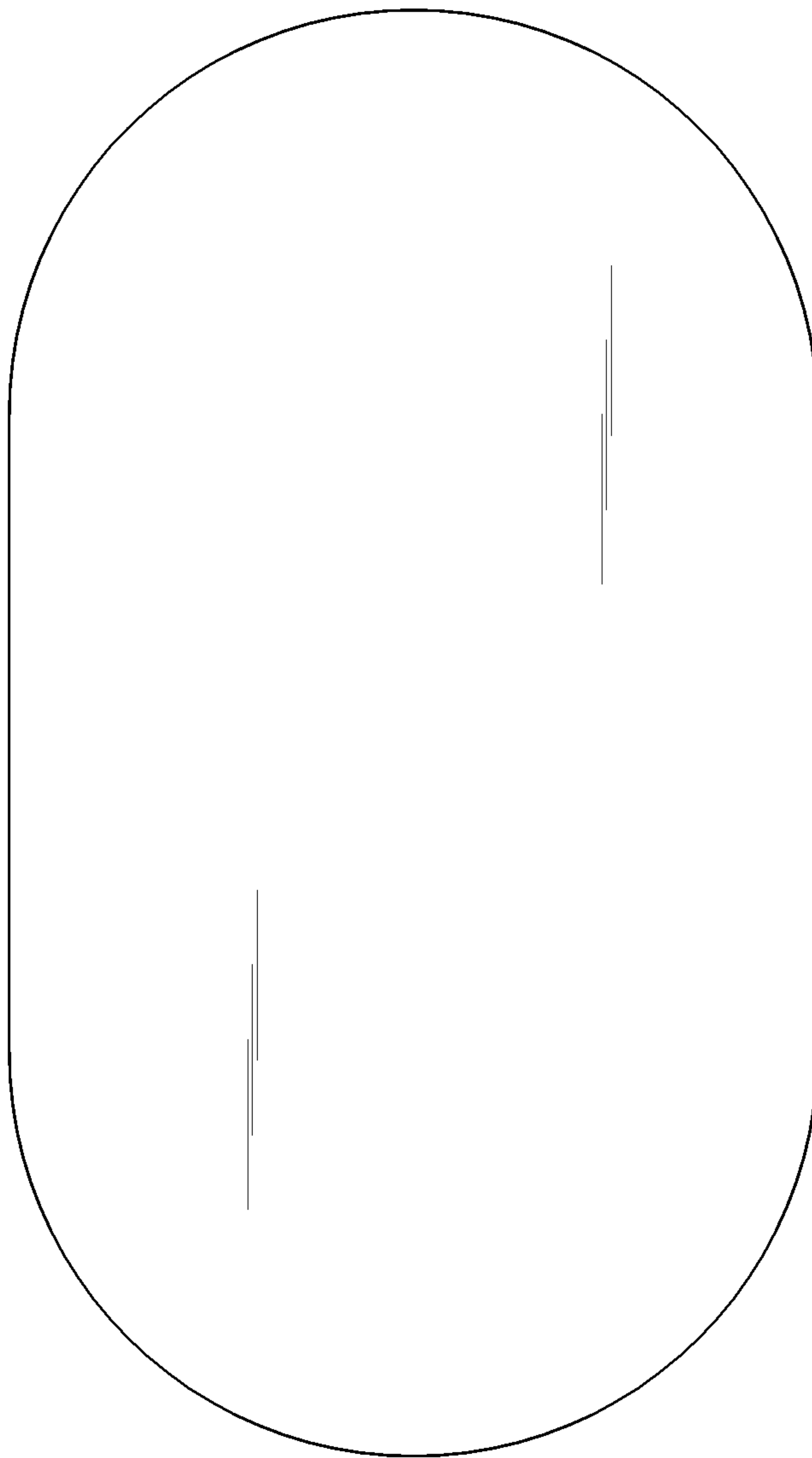


FIG. 9

