

US00D960624S

(12) **United States Design Patent** (10) **Patent No.:** **US D960,624 S**  
**Guan et al.** (45) **Date of Patent:** **\*\* Aug. 16, 2022**

(54) **WINE DISPENSER**

(71) Applicant: **ZHENGZHOU JINMOREN HOME FURNISHING CO., LTD.**, Henan (CN)

(72) Inventors: **Dongdong Guan**, Henan (CN); **Miao Zhang**, Henan (CN); **Zhanghui Wang**, Henan (CN)

(73) Assignee: **ZHENGZHOU JINMOREN HOME FURNISHING CO., LTD.**, Henan (CN)

(\*\*) Term: **15 Years**

(21) Appl. No.: **29/803,199**

(22) Filed: **Aug. 11, 2021**

(51) **LOC (13) Cl.** ..... **09-01**

(52) **U.S. Cl.**  
USPC ..... **D7/301; D7/306; D9/672**

(58) **Field of Classification Search**  
USPC ..... D6/542; D7/301, 306, 309-311, 538, D7/599, 619.2; D9/430, 451, 636, 639, D9/640, 672, 678; D27/177, 178, 182, D27/188, 192  
CPC ..... A47G 19/12; A47G 19/2205; A47G 19/2255; A47G 2200/106; A47G 23/00; A47G 23/0241; A47G 2400/045; A47J 47/01; B01F 2101/17; B01F 2035/98; B01F 23/23411; B01F 23/236; B01F 23/23761; B01F 25/54; B01F 29/80; B67D 1/004; B67D 1/08; B67D 1/0801; B67D 1/0804

See application file for complete search history.

(56) **References Cited**

**U.S. PATENT DOCUMENTS**

D38,987 S \* 1/1908 Hubbard ..... D9/639  
D65,467 S \* 8/1924 Fazio ..... D7/301

D71,144 S \* 9/1926 Hamilton ..... D9/639  
D72,696 S \* 5/1927 Branston ..... D7/301  
D140,903 S \* 4/1945 Crandall ..... D9/678  
D376,949 S 12/1996 Barriault  
D740,614 S \* 10/2015 Rigsbee ..... D9/531  
D792,729 S 7/2017 Adewuyi

**FOREIGN PATENT DOCUMENTS**

CA 13518 \* 8/1943

**OTHER PUBLICATIONS**

“An American single handled docking telegraph,” Jan. 14, 2009, Christie’s, www.christies.com/lot/an-american-single-handled-docking-telegraph-durkee-5171053 (Year: 2009).\*

(Continued)

*Primary Examiner* — Joseph Kukella

*Assistant Examiner* — Arva P Adams

(74) *Attorney, Agent, or Firm* — ScienBiziP, P.C.

(57) **CLAIM**

The ornamental design for a wine dispenser, as shown and described.

**DESCRIPTION**

FIG. 1 is a front, right, and top perspective view of a wine dispenser, showing our design.

FIG. 2 is a rear, left, and bottom perspective view thereof.

FIG. 3 is a front elevation view thereof.

FIG. 4 is a rear elevation view thereof.

FIG. 5 is a left side elevation view thereof.

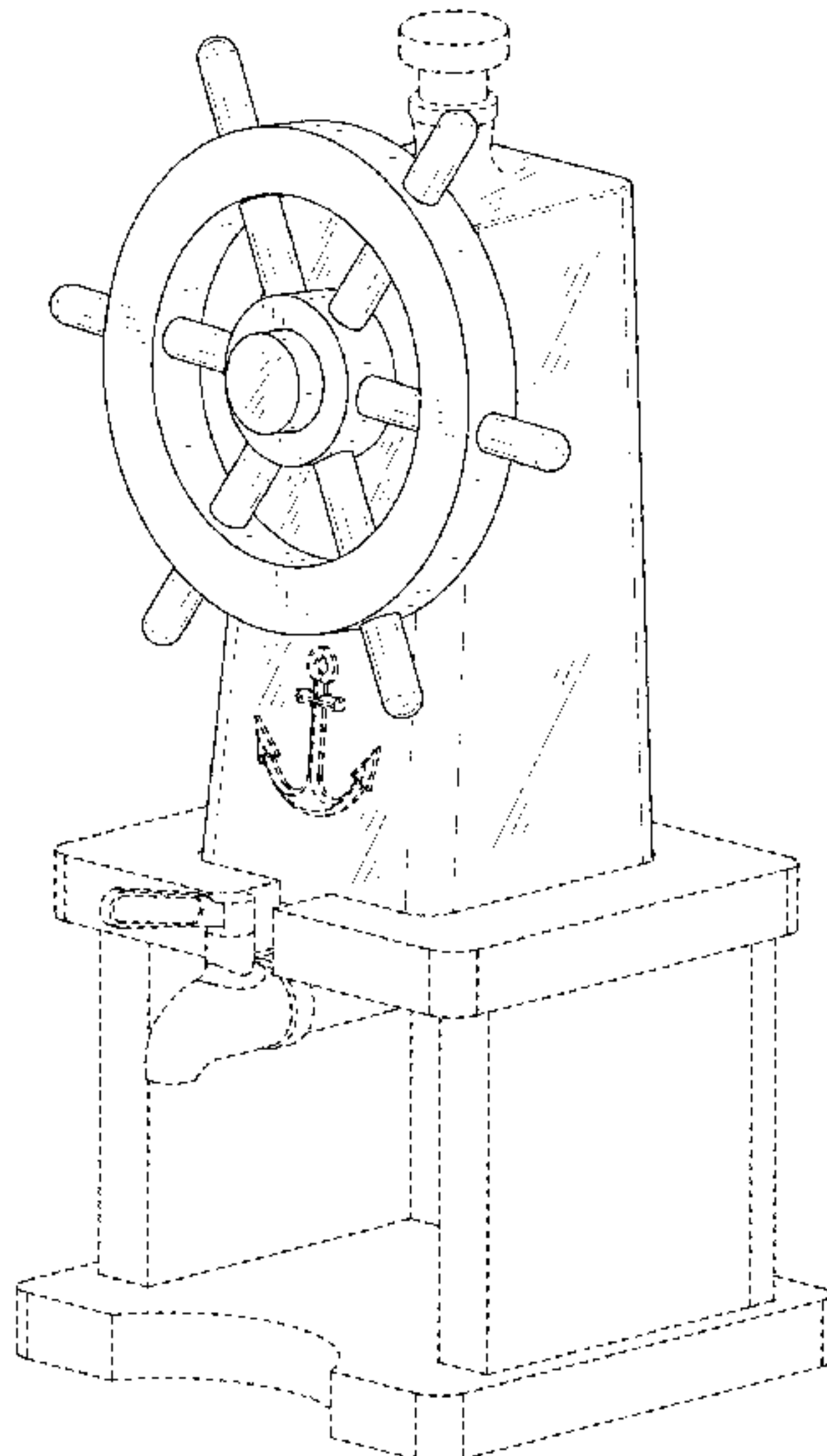
FIG. 6 is a right side elevation view thereof.

FIG. 7 is a top plan view thereof; and,

FIG. 8 is a bottom plan view thereof.

The broken lines shown in the drawings are included for the purpose of illustrating portions of the wine dispenser that form no part of the claimed design.

**1 Claim, 8 Drawing Sheets**



(56)

**References Cited**

OTHER PUBLICATIONS

Koosen, "Rudderstock photo," Nov. 9, 2012, iStock, [www.istockphoto.com/photo/rudder-gm156296648-22042763](http://www.istockphoto.com/photo/rudder-gm156296648-22042763) (Year: 2012).\*

Candlewoman1, "VTG Mechanical Cigarette Dispenser, Brass Ship Wheel," Dec. 30, 2020, Ebay, [www.ebay.com/itm/254792667623](http://www.ebay.com/itm/254792667623) (Year: 2020).\*

Sateenlipss, "Vintage Old Spice Ship's Wheel After Shave Ships Wheel Decanter Nautical 6 oz," Dec. 1, 2020, Ebay, [www.ebay.com/itm/303739008093](http://www.ebay.com/itm/303739008093) (Year: 2020).\*

\* cited by examiner

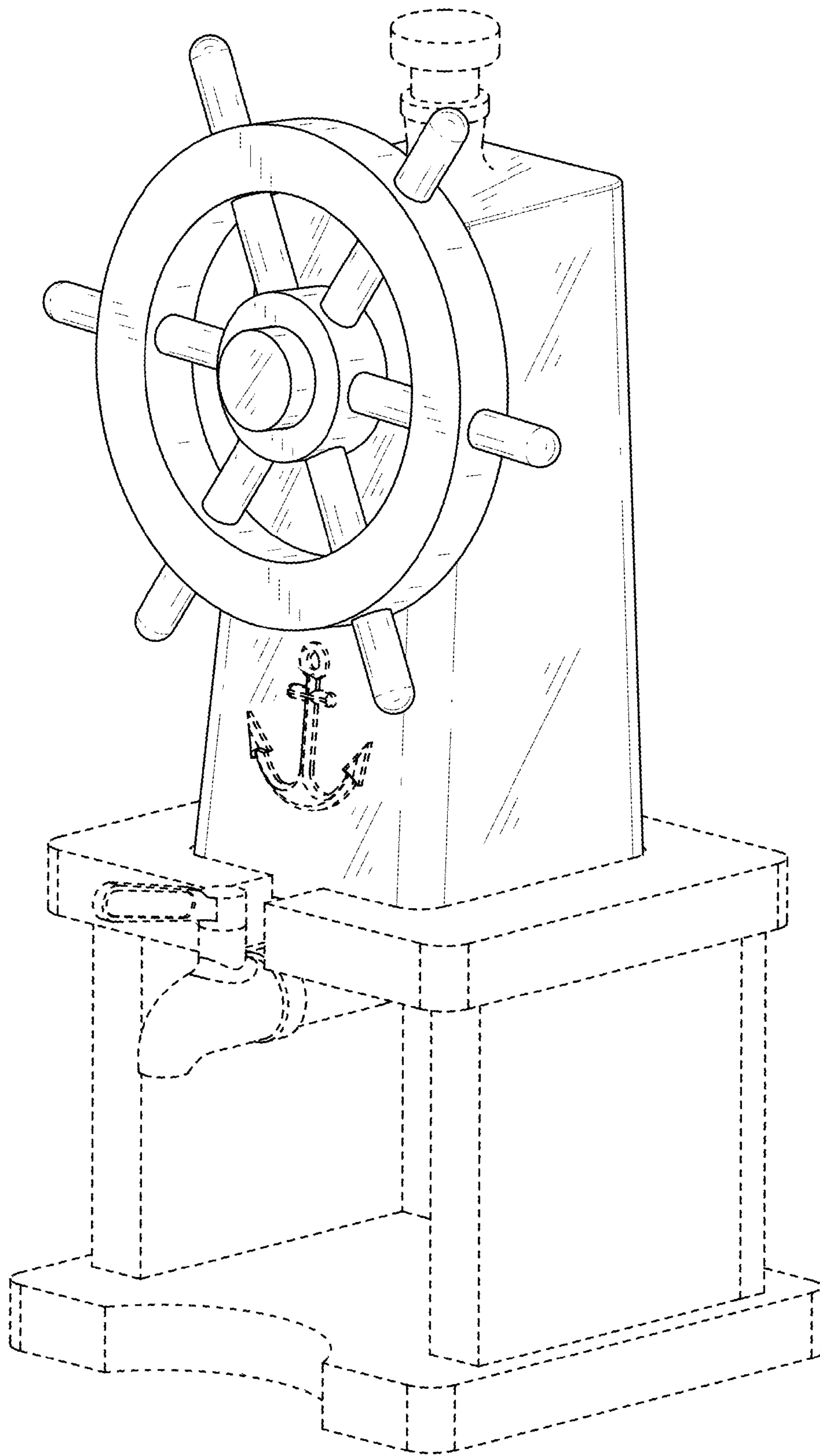


FIG. 1

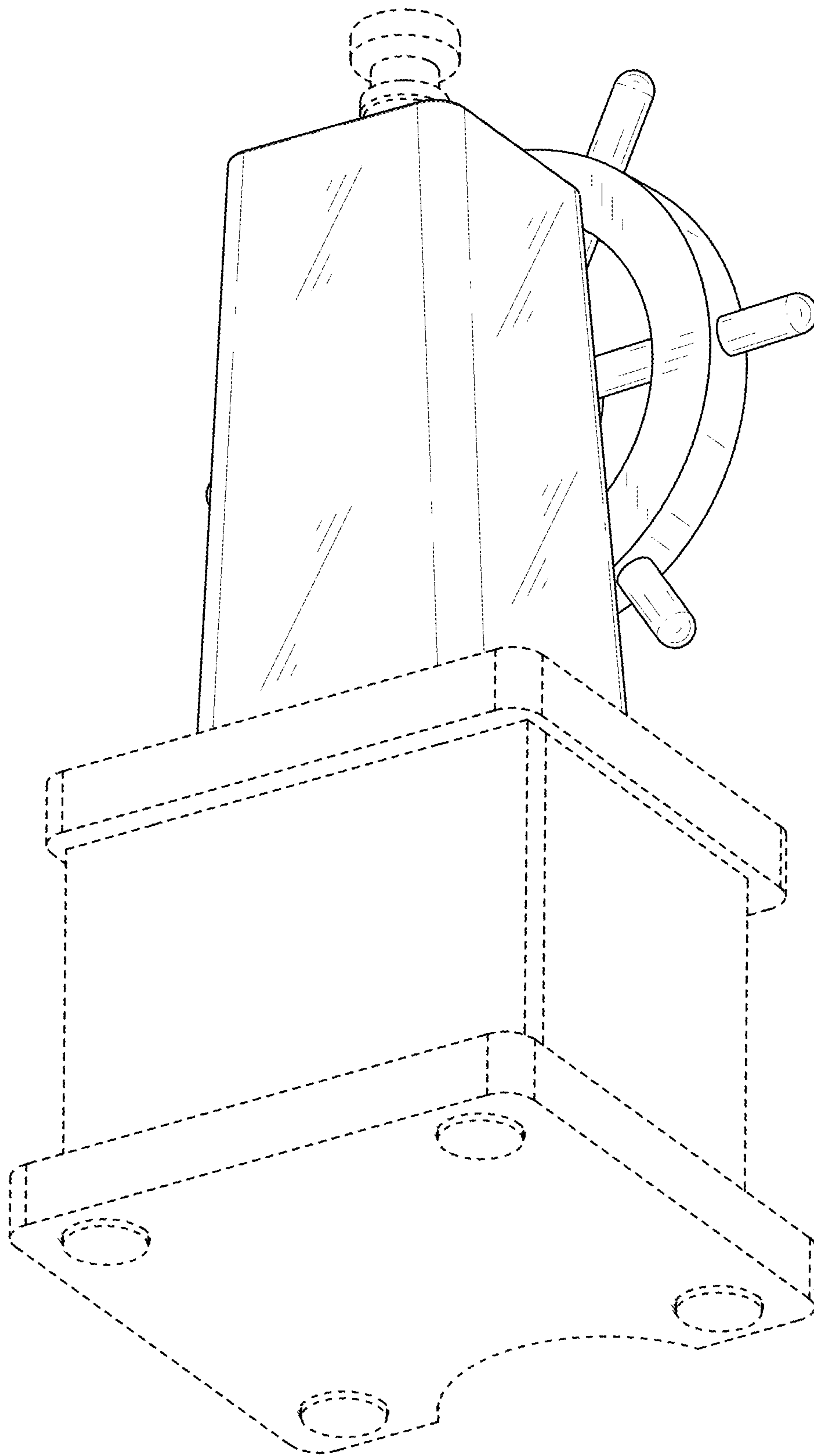


FIG. 2

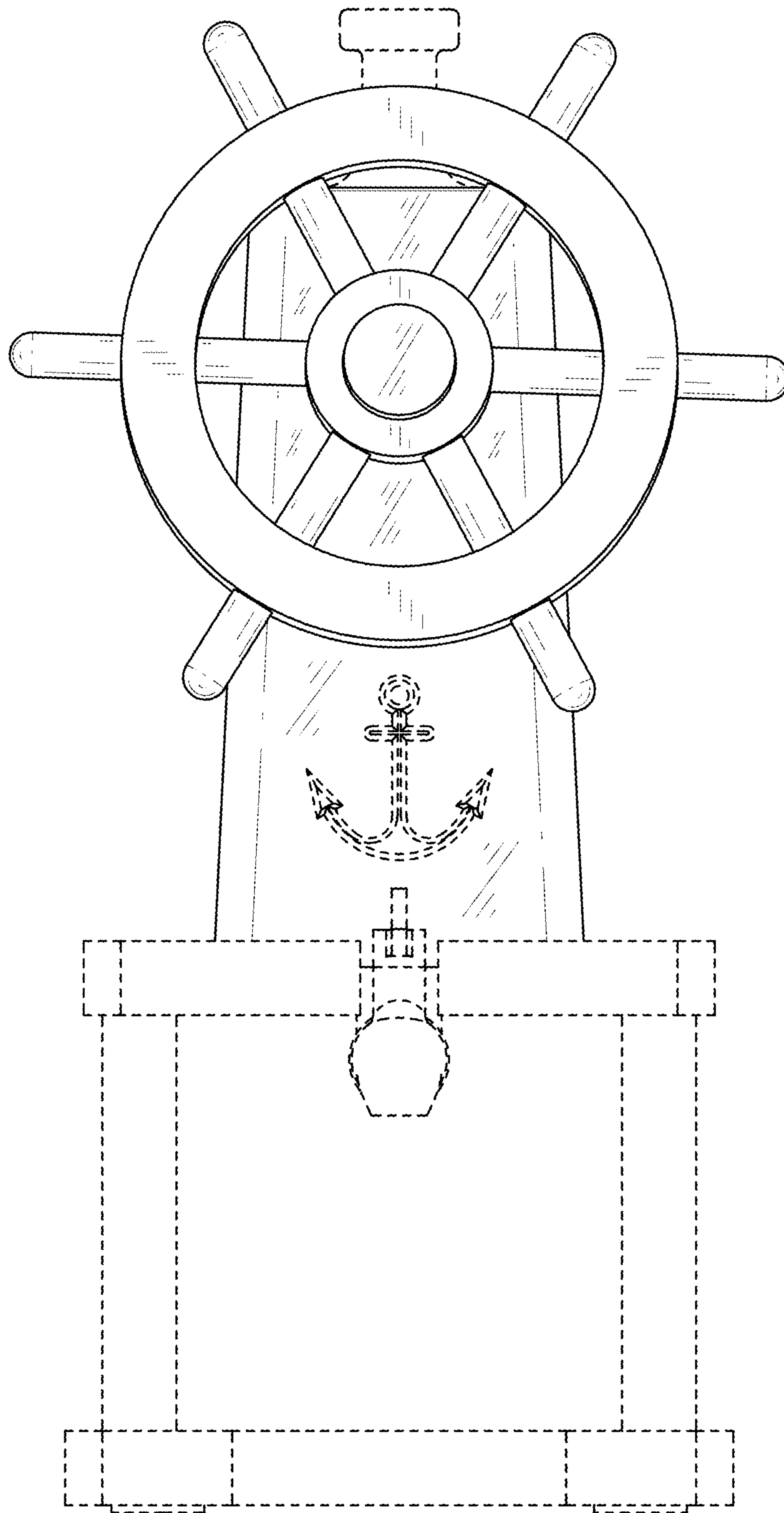


FIG. 3



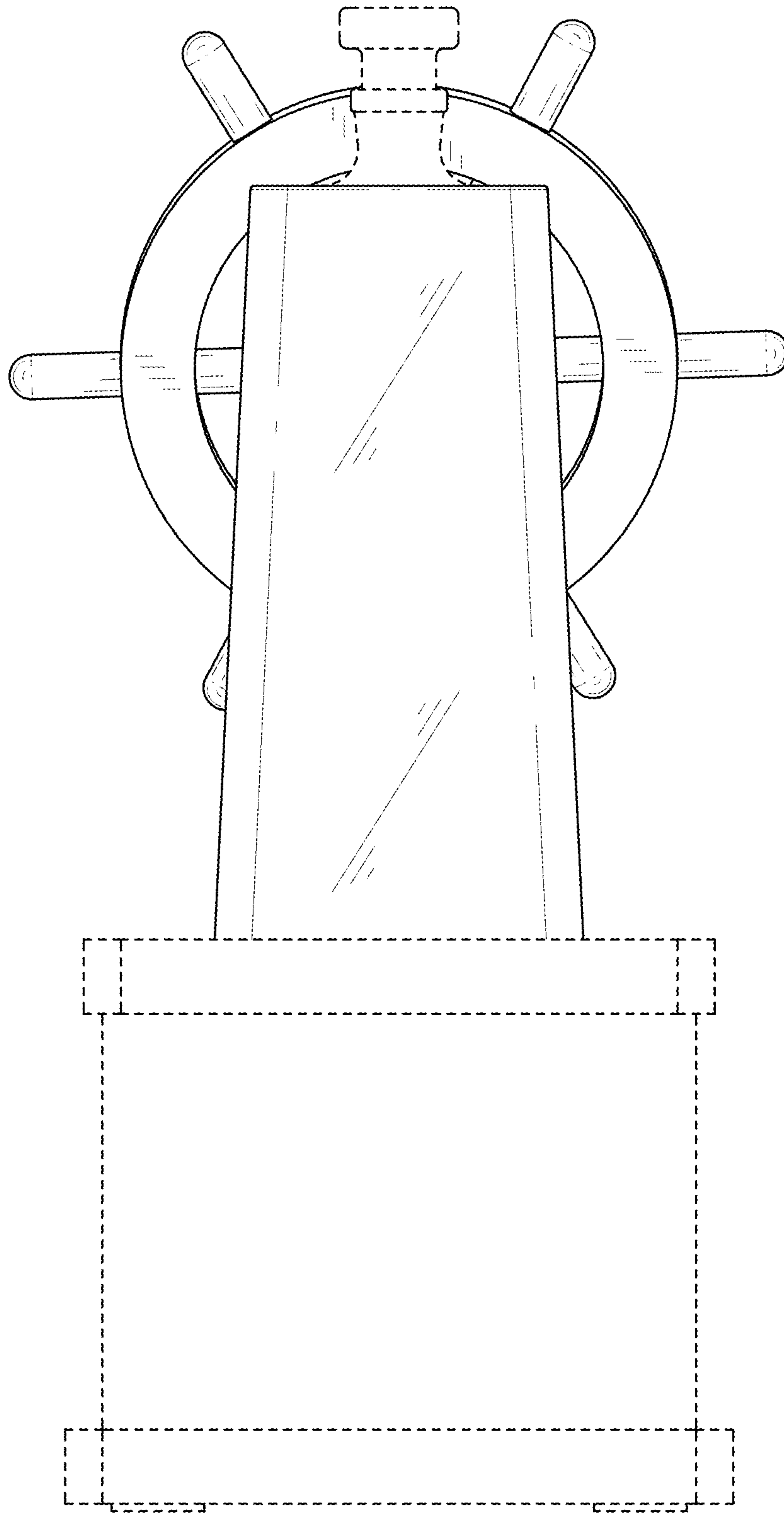


FIG. 4

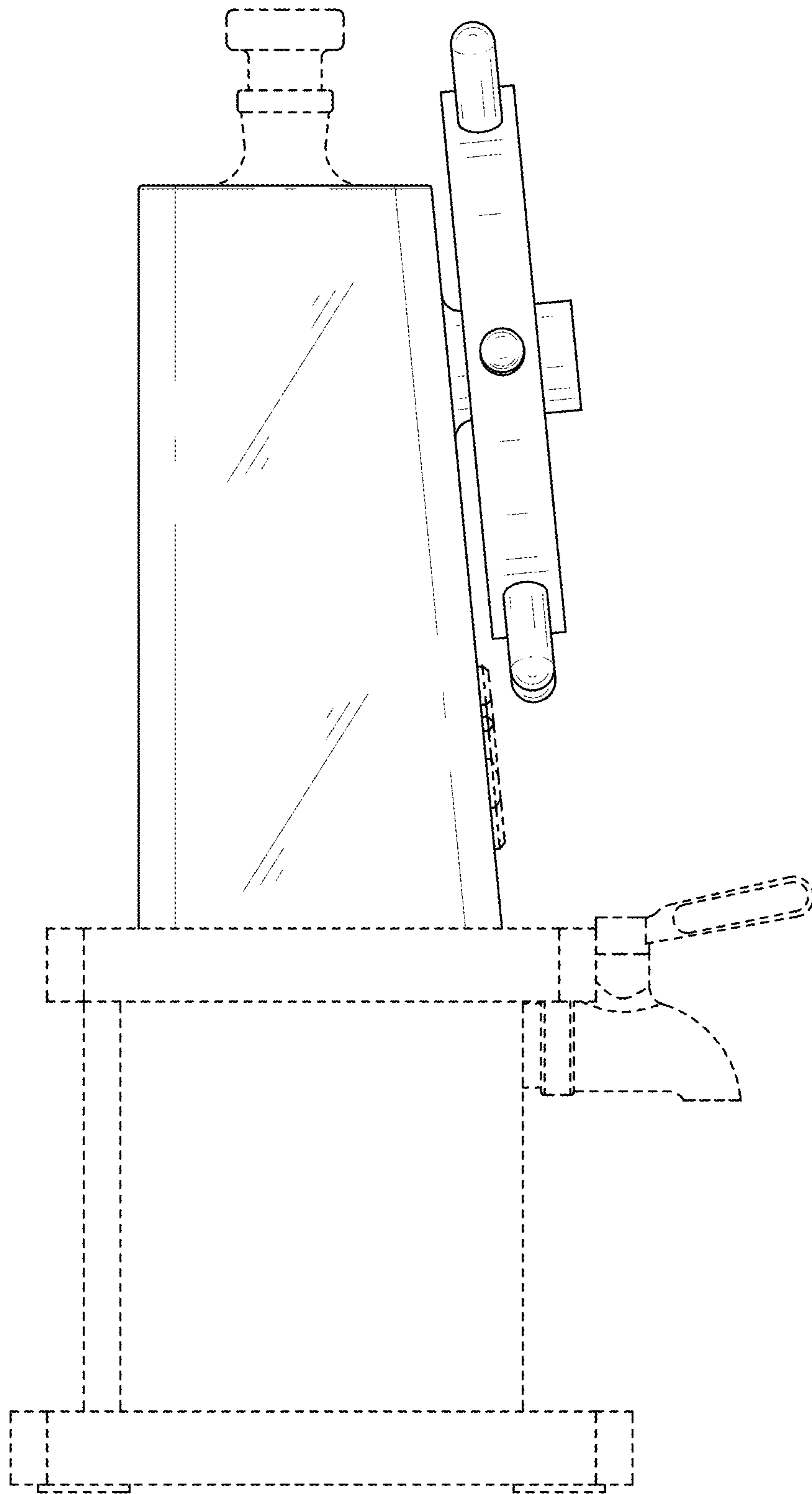


FIG. 5

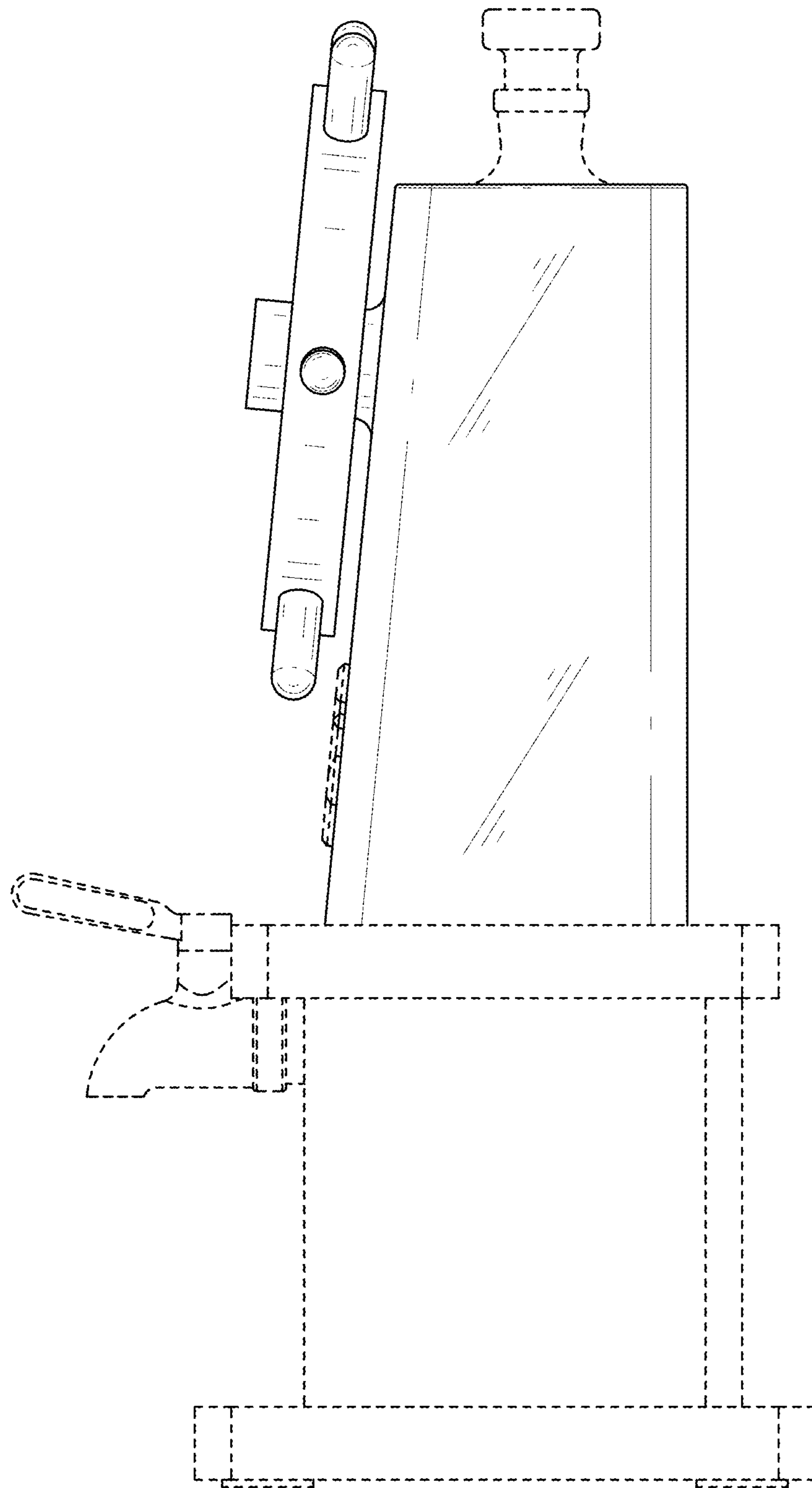


FIG. 6



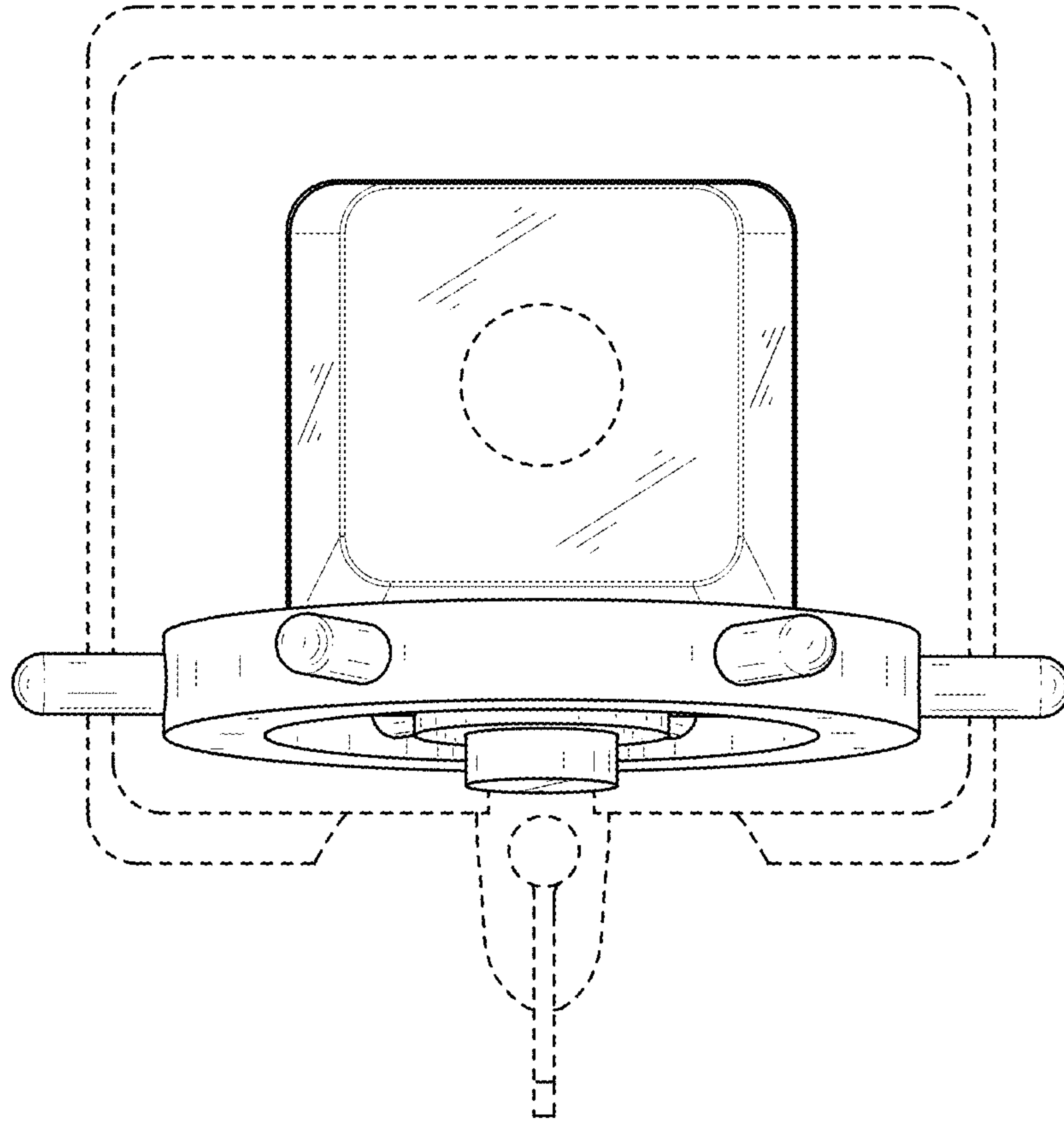


FIG. 7

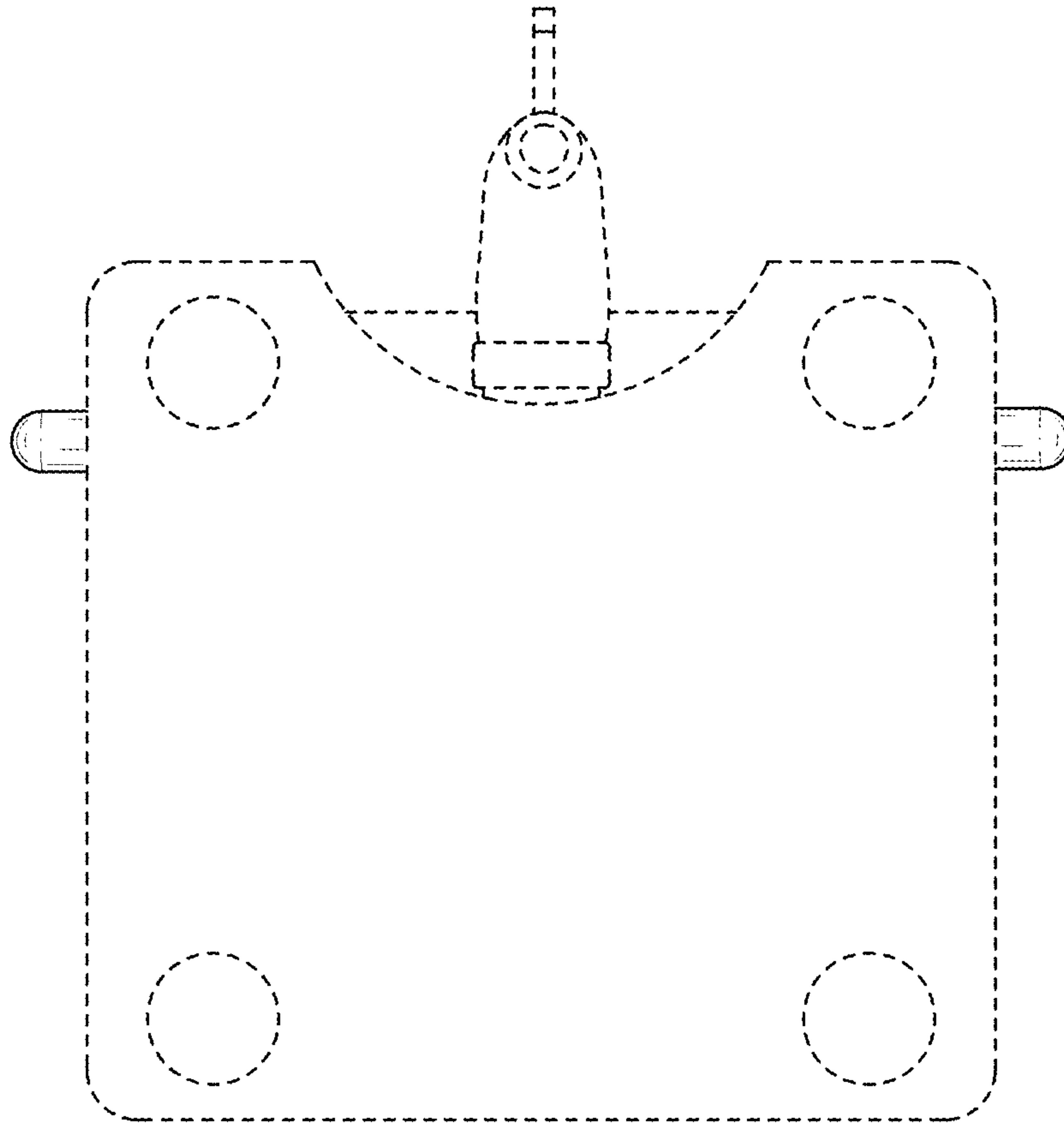


FIG. 8