



US00D960620S

(12) **United States Design Patent** (10) **Patent No.:** **US D960,620 S**
Pelosi (45) **Date of Patent:** **** Aug. 16, 2022**

(54) **LUGGAGE RACK** 5,146,635 A * 9/1992 Gastle A61D 3/00
 108/118
 (71) Applicant: **United Storage Technologies Inc.**, Las Vegas, NV (US) D451,304 S * 12/2001 Felsenthal D6/678.4
 D469,591 S * 1/2003 Vanderminden D34/21
 D583,167 S * 12/2008 Stengel D6/675.1
 D720,907 S * 1/2015 Perez D32/58
 D732,247 S * 6/2015 Reid D30/131
 (72) Inventor: **Raymond Pelosi**, Las Vegas, NV (US) 2007/0164173 A1 * 7/2007 Li B65B 67/1205
 248/97
 (**) Term: **15 Years** 2010/0181270 A1 * 7/2010 Miola D06F 57/08
 211/85.3

(21) Appl. No.: **29/743,976**

(22) Filed: **Jul. 25, 2020**

(51) **LOC (13) Cl.** **06-06**

(52) **U.S. Cl.**
USPC **D6/678.4**

(58) **Field of Classification Search**
USPC D6/315, 512, 675, 678, 678.1, 678.5
CPC A47B 43/00; A47B 61/003; A47F 5/0018;
A47F 7/00; A47F 7/19; A47G 25/06;
A47G 25/0685; B62J 7/00
See application file for complete search history.

(56) **References Cited**

U.S. PATENT DOCUMENTS

438,630 A * 10/1890 Lyon A47C 19/126
 5/116
 D156,008 S * 11/1949 Hopkins D6/681
 D289,080 S * 3/1987 Einsel D23/410
 D290,254 S * 6/1987 Arevalo D14/224
 4,789,070 A * 12/1988 Bennett D06F 57/08
 211/200
 4,919,278 A * 4/1990 Howen A47J 47/16
 206/515

* cited by examiner

Primary Examiner — Kelley A Donnelly
(74) *Attorney, Agent, or Firm* — Weide & Miller, Ltd.

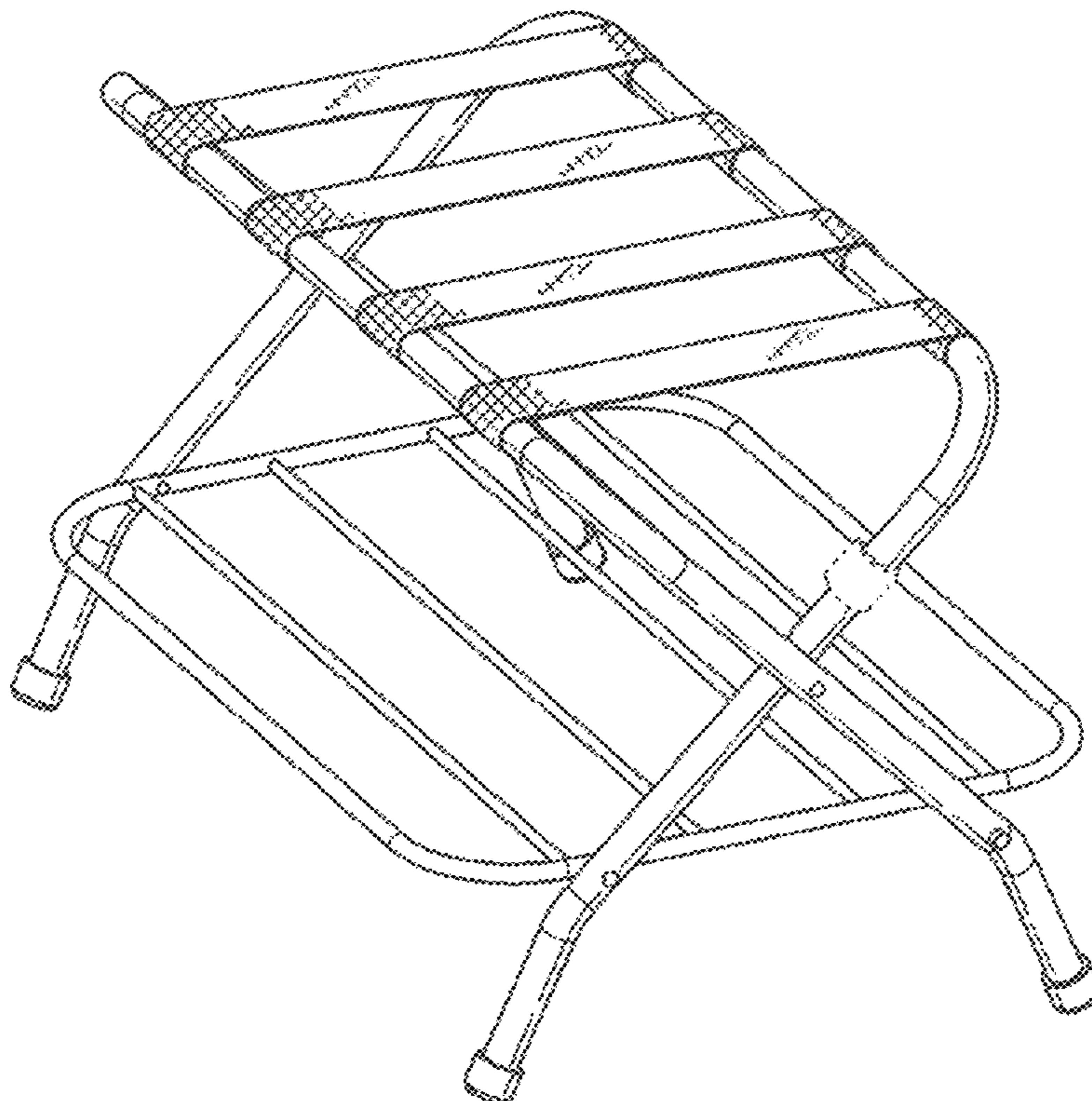
(57) **CLAIM**

The ornamental design for a luggage rack, as shown and described.

DESCRIPTION

FIG. 1 is a right, front perspective view of a luggage rack showing the new design.
 FIG. 2 is a left, rear perspective view of the luggage rack of FIG. 1.
 FIG. 3 is a top view of the luggage rack of FIG. 1.
 FIG. 4 is a front view of the luggage rack of FIG. 1.
 FIG. 5 is a rear view of the luggage rack of FIG. 1.
 FIG. 6 is a bottom view of the luggage rack of FIG. 1.
 FIG. 7 is a right-side view of the luggage rack of FIG. 1; and,
 FIG. 8 is a left-side view of the luggage rack of FIG. 1.
 The broken lines indicate unclaimed portions of the article and form no part of the claimed design.

1 Claim, 4 Drawing Sheets



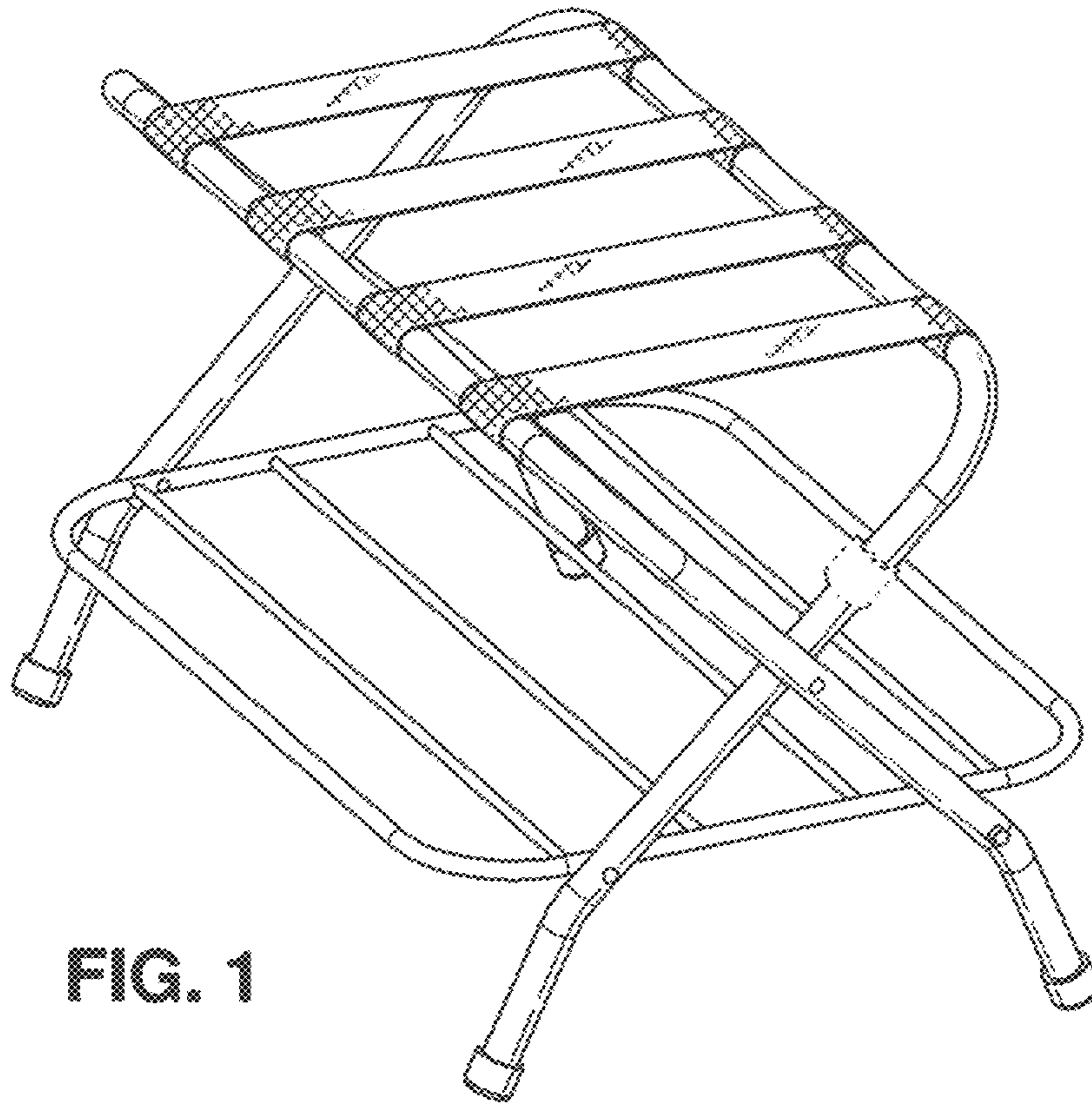


FIG. 1

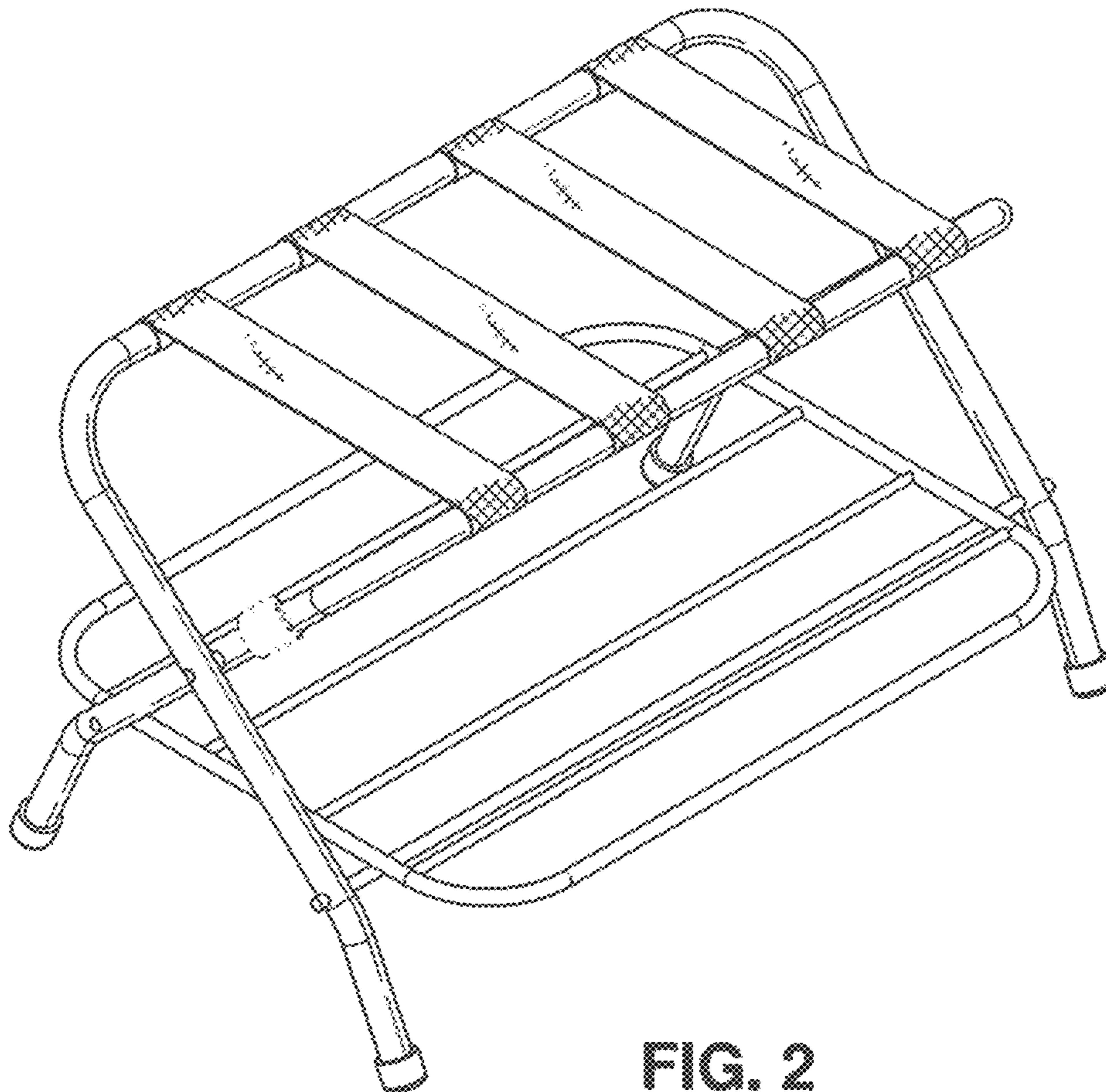


FIG. 2

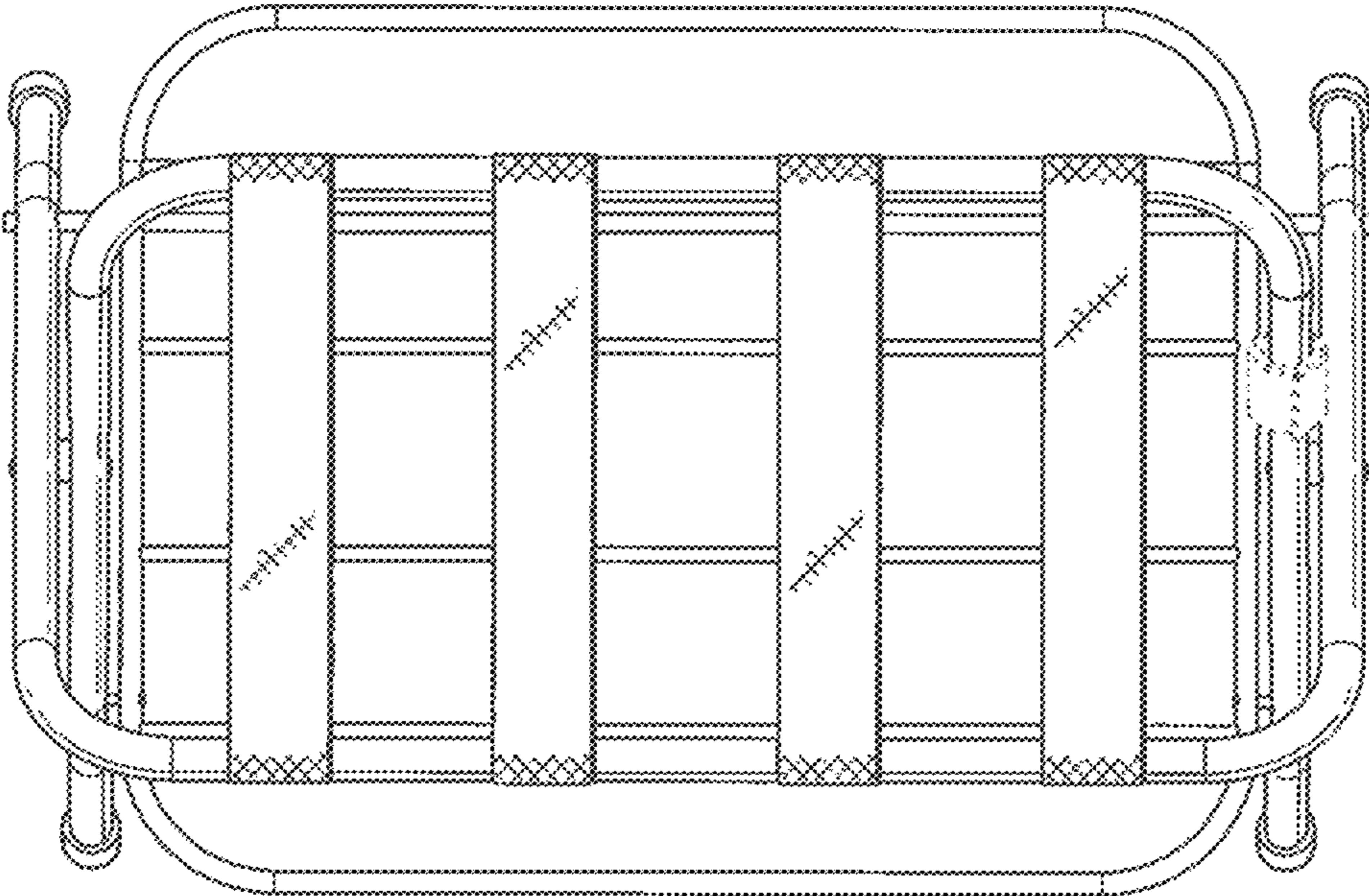


FIG. 3

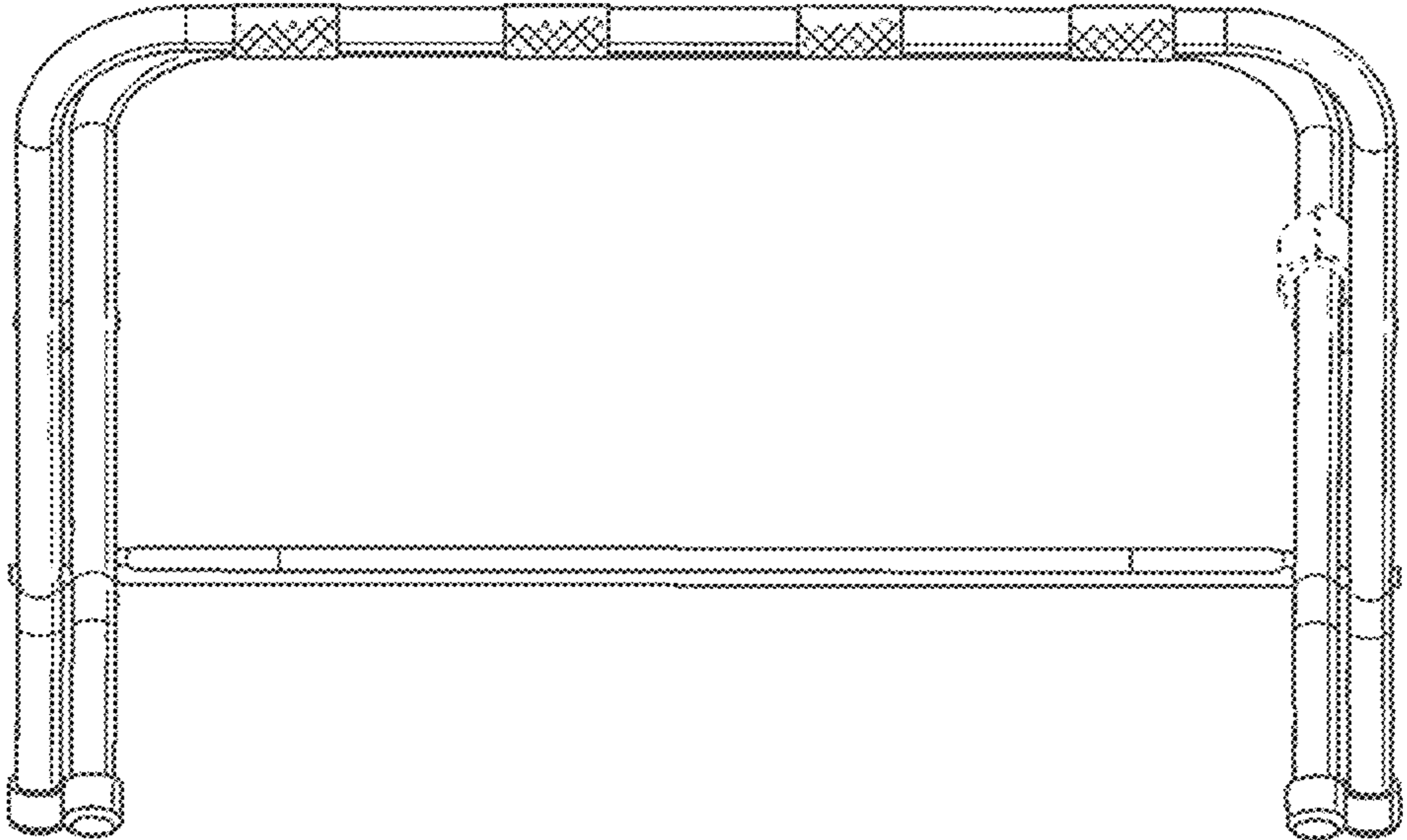


FIG. 4

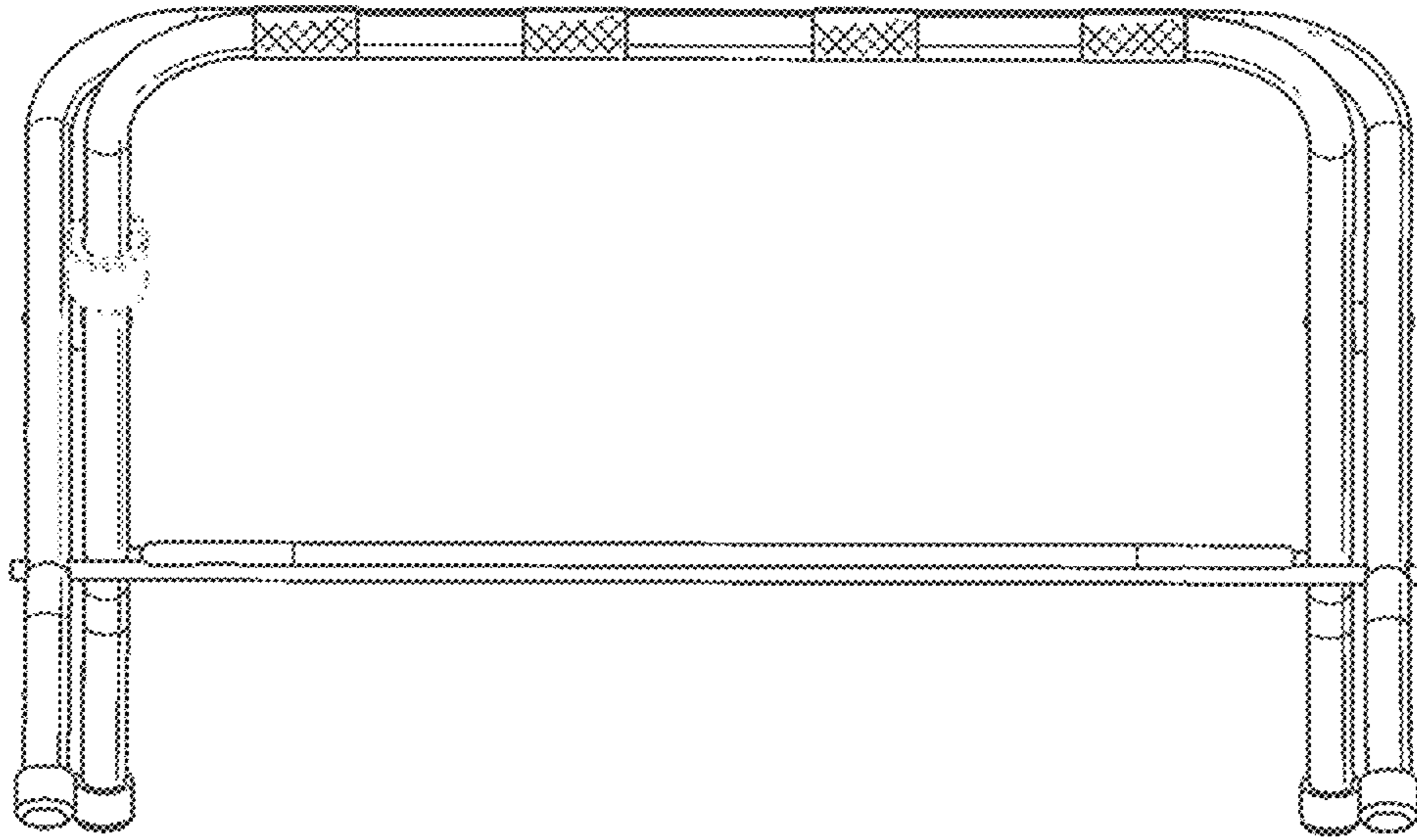


FIG. 5

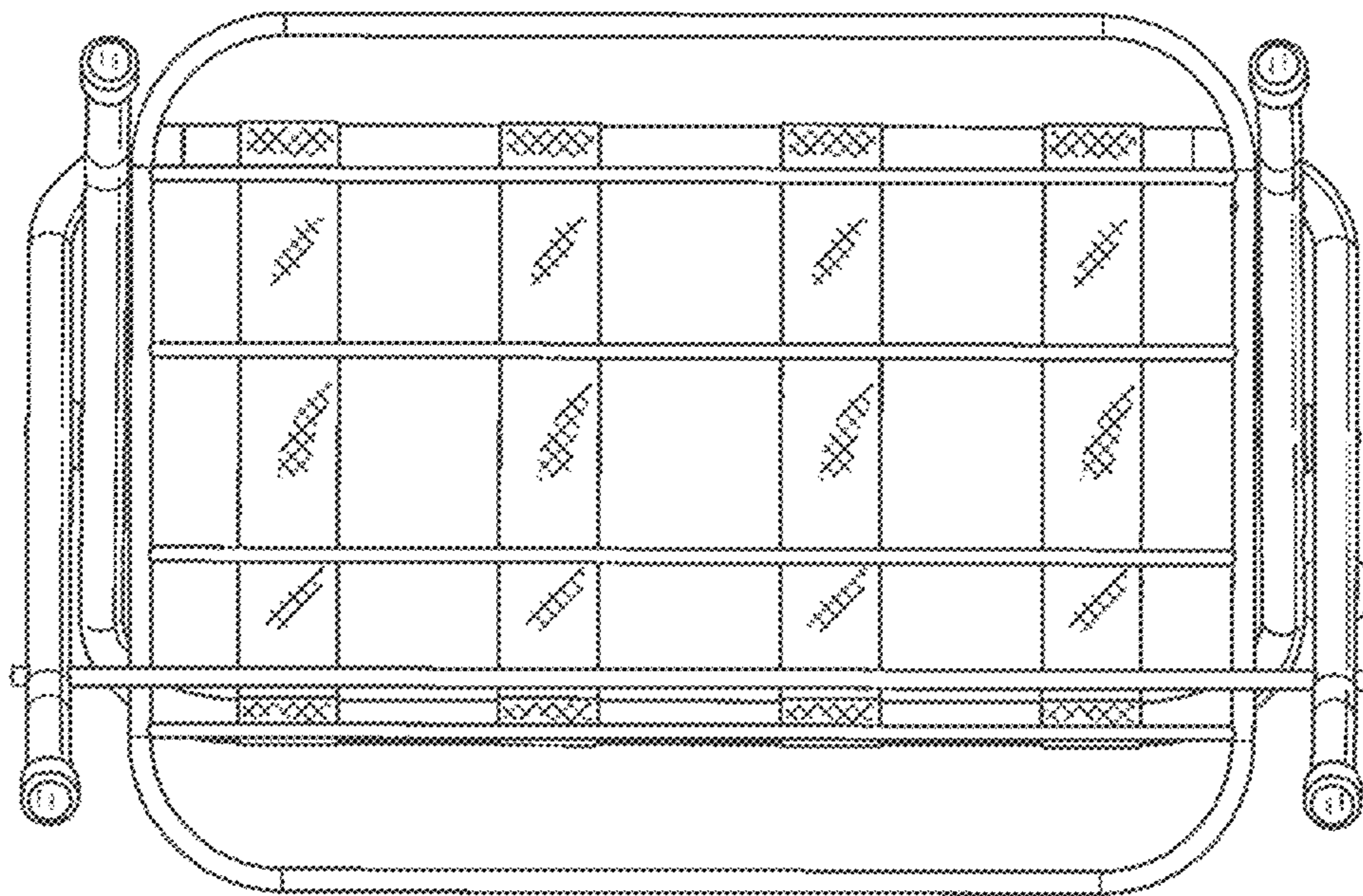


FIG. 6

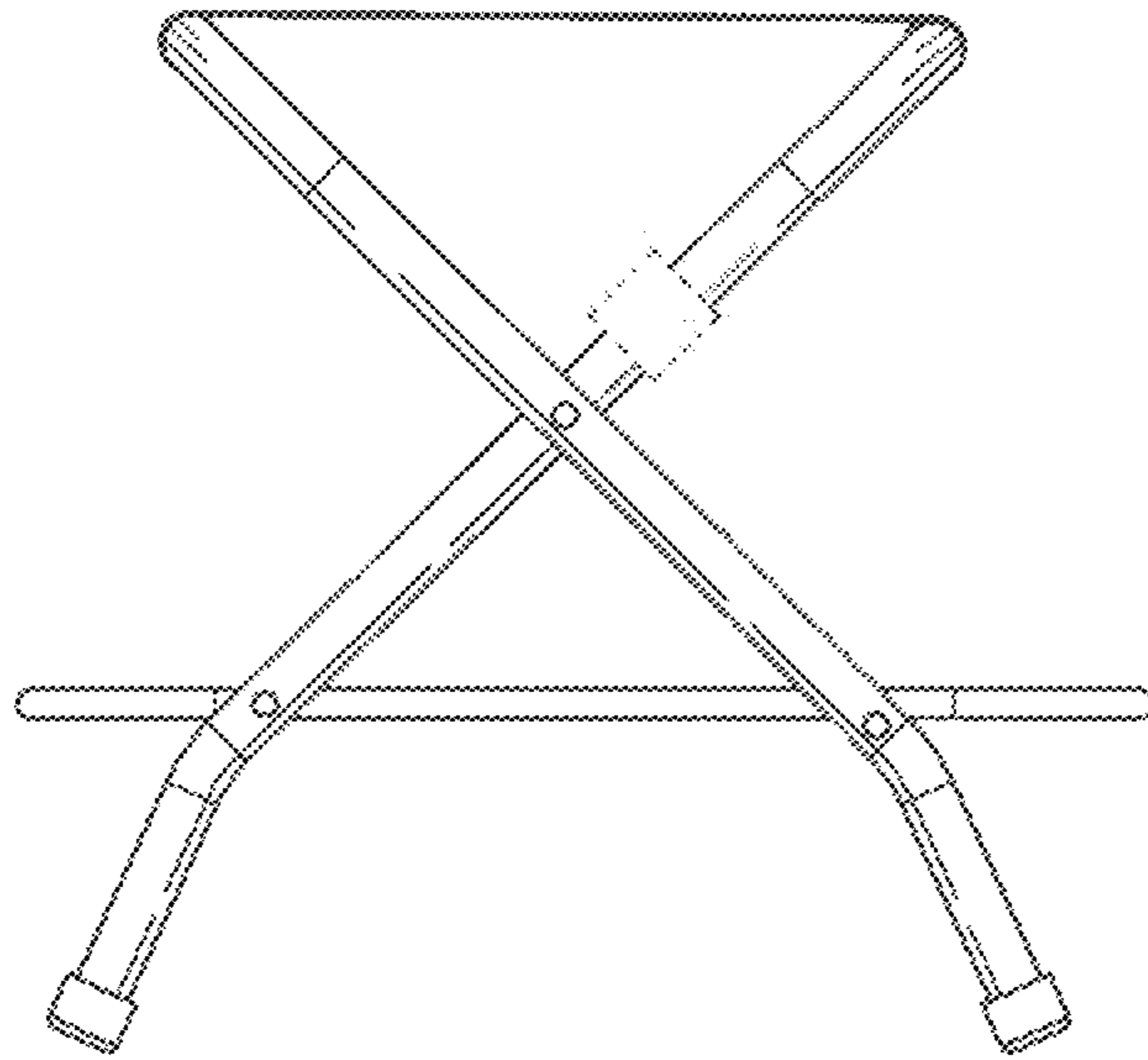


FIG. 7

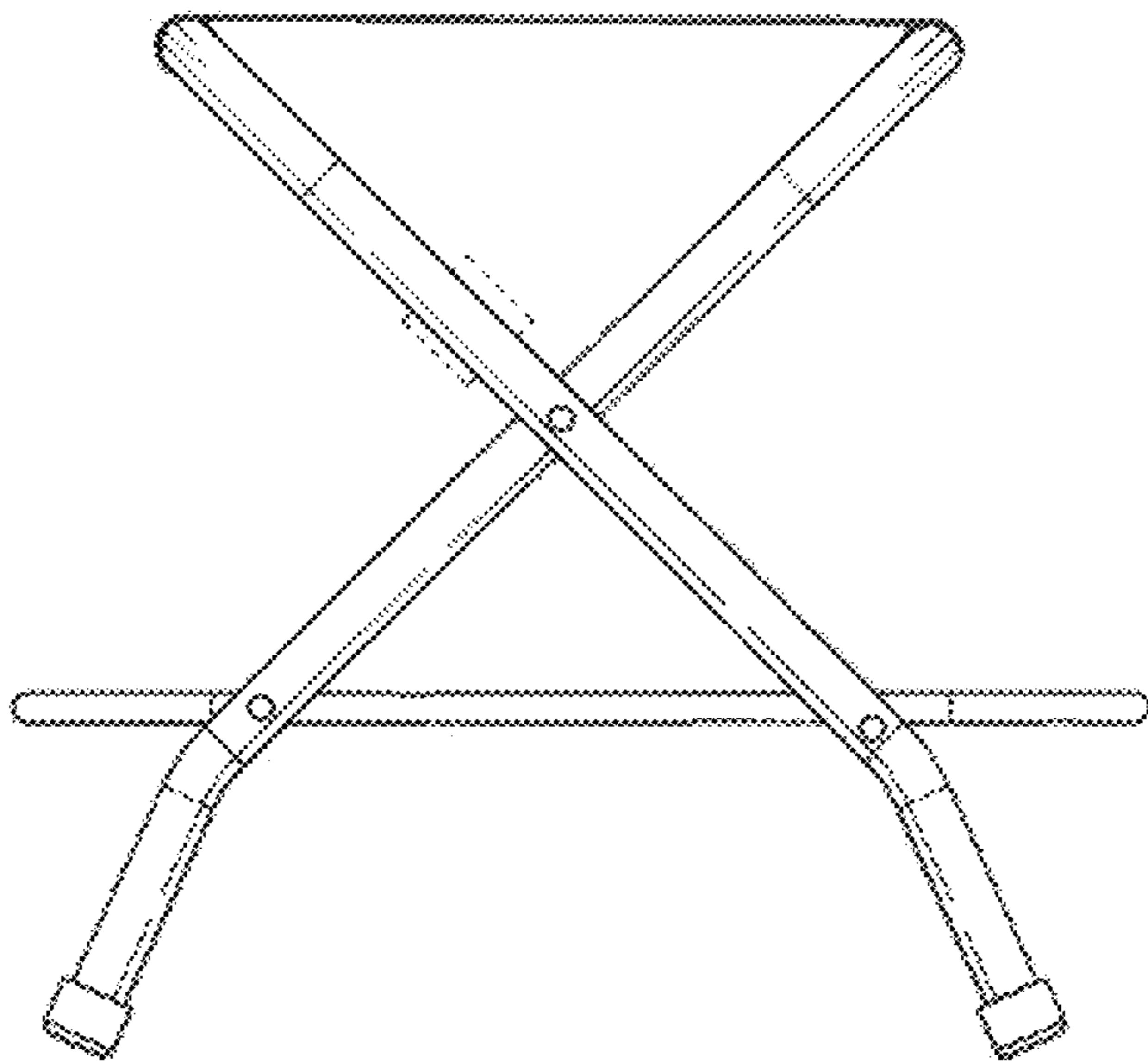


FIG. 8