

US00D960618S

(12) **United States Design Patent** (10) **Patent No.:** **US D960,618 S**
Gelman (45) **Date of Patent:** **** Aug. 16, 2022**

(54) **CORNER BENCH UNIT**
(71) Applicant: **E&T Horizons Limited Liability Company**, Melbourne, FL (US)
(72) Inventor: **Eric Gelman**, Melbourne, FL (US)
(73) Assignee: **E&T HORIZONS LIMITED LIABILITY COMPANY**, Melbourne, FL (US)

D339,485 S * 9/1993 James D6/676.1
D382,733 S * 8/1997 Goetz D6/676.1
D391,106 S * 2/1998 Camilo D6/696.5
D454,266 S * 3/2002 Kelley D6/676.1
D516,846 S * 3/2006 Stenhouse D6/676.1
D690,967 S * 10/2013 Goodman D6/676.5
D701,714 S * 4/2014 Gelman D6/562
D713,181 S * 9/2014 Cohen D6/676.1
D716,083 S * 10/2014 Hsu D6/678.4
D723,310 S * 3/2015 Goodman D6/676.5
D727,043 S * 4/2015 Cohen D6/349

(Continued)

(**) Term: **15 Years**
(21) Appl. No.: **29/778,004**
(22) Filed: **Apr. 9, 2021**

Primary Examiner — Kelley A Donnelly
(74) *Attorney, Agent, or Firm* — Mark Malek; Widerman Malek, PL

Related U.S. Application Data

(62) Division of application No. 29/655,160, filed on Jun. 29, 2018, now Pat. No. Des. 923,372.
(51) **LOC (13) Cl.** **06-06**
(52) **U.S. Cl.**
USPC **D6/676.1**
(58) **Field of Classification Search**
USPC D6/672, 673, 677, 676.1, 677.1, 702, D6/705, 512; D7/601, 602
CPC A47J 47/16; A47G 19/02; A47G 23/06; A47F 5/0018; A47F 5/0043; A47F 5/04; B65D 1/00; B65D 99/008
See application file for complete search history.

(57) **CLAIM**

The ornamental design for a corner bench unit, as shown and described.

DESCRIPTION

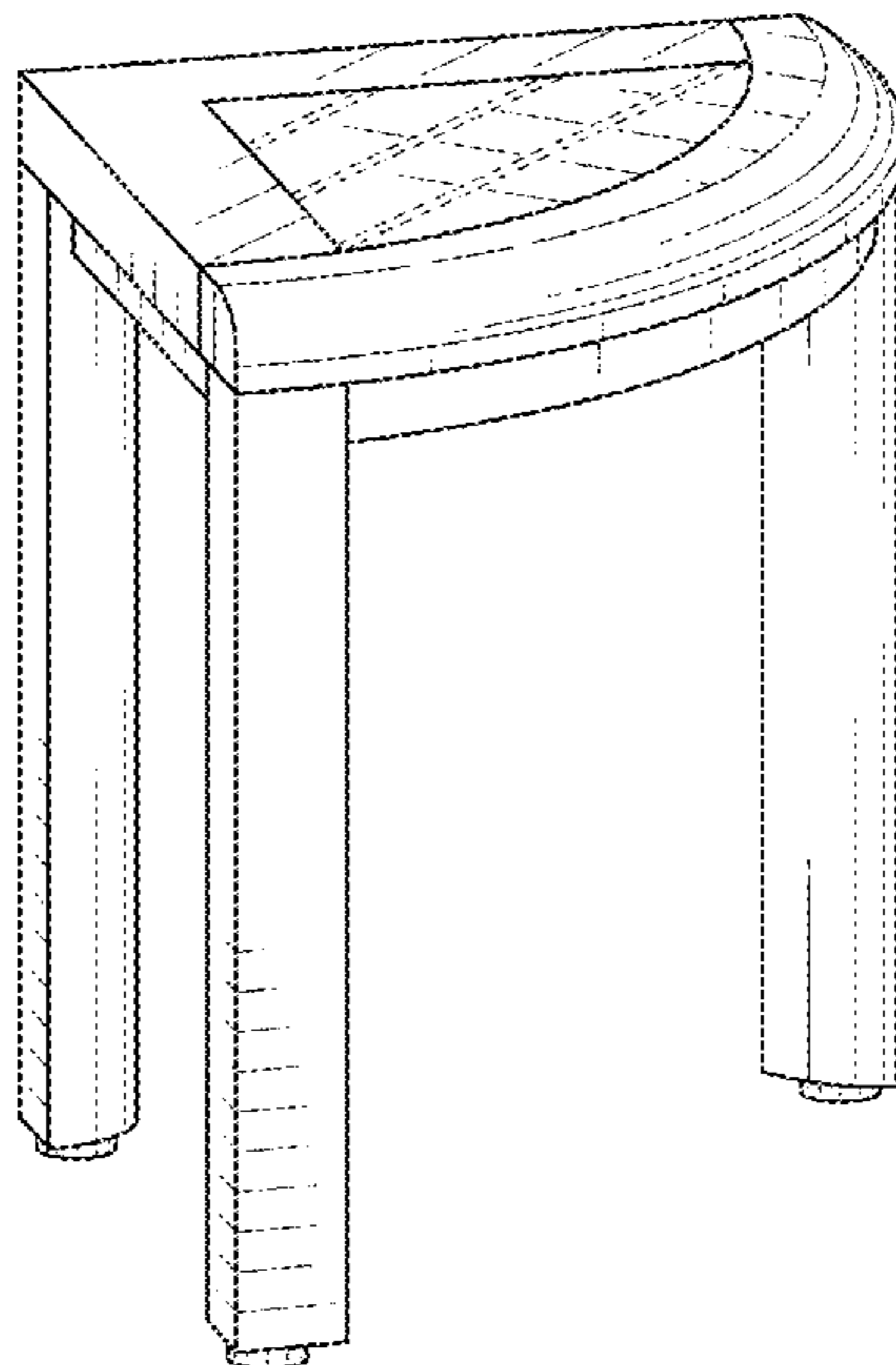
FIG. 1 is a front perspective view of a corner bench unit according to the present invention wherein the corner bench unit does not include a shelf.
FIG. 2 is a front elevation view of the corner bench unit illustrated in FIG. 1.
FIG. 3 is a rear elevation view of the corner bench unit illustrated in FIG. 1.
FIG. 4 is a side elevation view of the corner bench unit illustrated in FIG. 1.
FIG. 5 is another side elevation view of the corner bench unit illustrated in FIG. 1.
FIG. 6 is a top plan view of the corner bench unit illustrated in FIG. 1; and,
FIG. 7 is a bottom plan view of the corner bench unit illustrated in FIG. 1.
The broken lines in FIGS. 1-7 depict slats on a bench portion of the corner bench unit and do not form a part of the claimed invention.

(56) **References Cited**

U.S. PATENT DOCUMENTS

D82,082 S * 9/1930 Finch D6/676.1
D91,769 S * 3/1934 Duval D6/676.1
D183,617 S * 9/1958 Klein et al. 211/135
D304,398 S * 11/1989 Goetz D6/676.1
D307,083 S * 4/1990 Knudsen D6/682.4
D314,477 S * 2/1991 Richter D6/676.1
D321,296 S * 11/1991 Miranda D6/676.1
D325,137 S * 4/1992 Porter D6/676.1

1 Claim, 4 Drawing Sheets



(56)

References Cited

U.S. PATENT DOCUMENTS

D741,092	S	*	10/2015	Goodman	D6/676.5
D761,600	S	*	7/2016	Hsu	D6/678.1
D818,746	S	*	5/2018	Carder	D6/677.1
D851,421	S	*	6/2019	Asselmann	D6/525
D861,397	S	*	10/2019	Cohen	D6/676.1
D878,117	S	*	3/2020	Gelman	D6/676.1
D885,093	S	*	5/2020	Gelman	D6/676.1
D949,609	S	*	4/2022	Gelman	D6/678

* cited by examiner

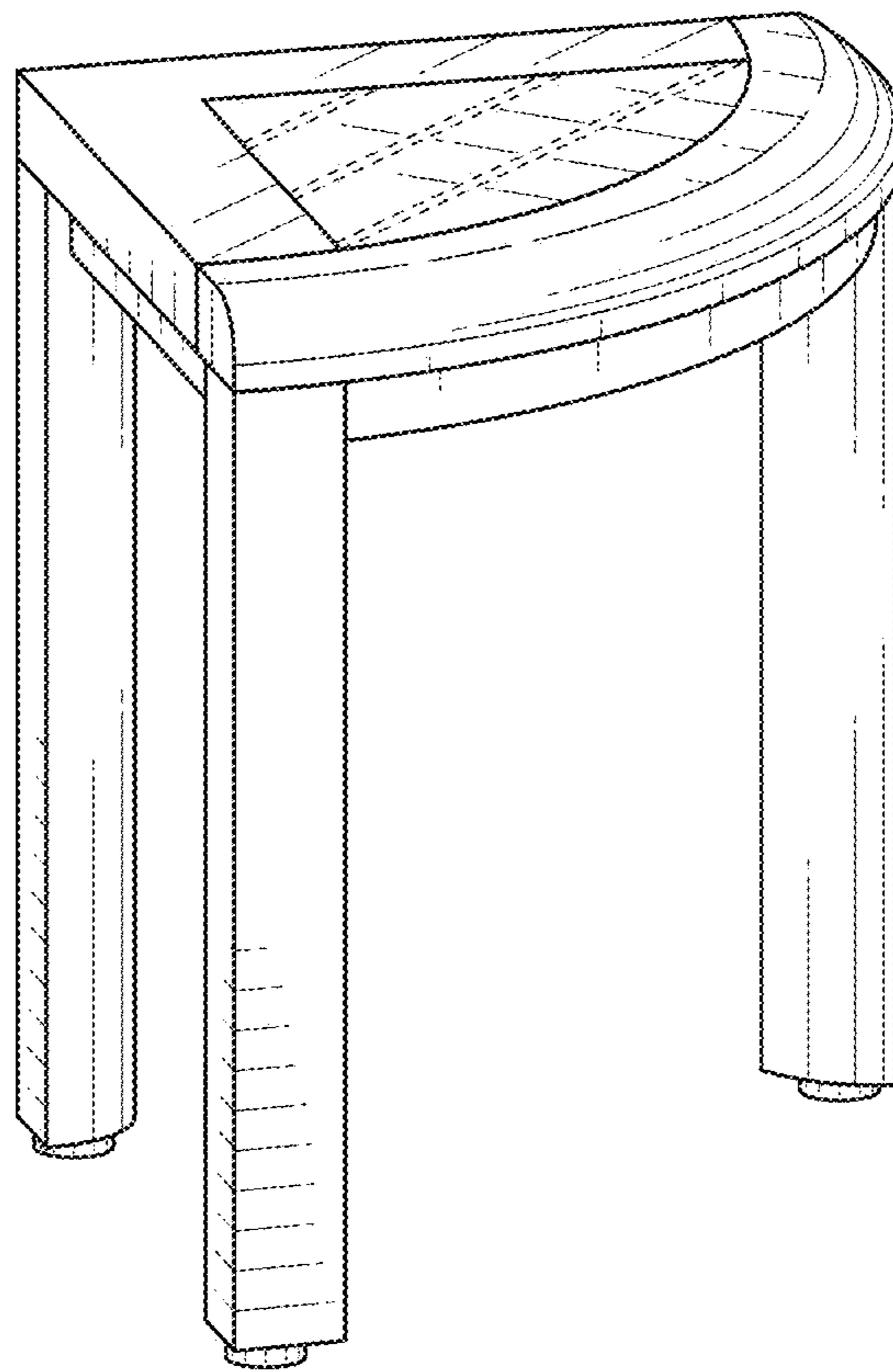


FIG. 1

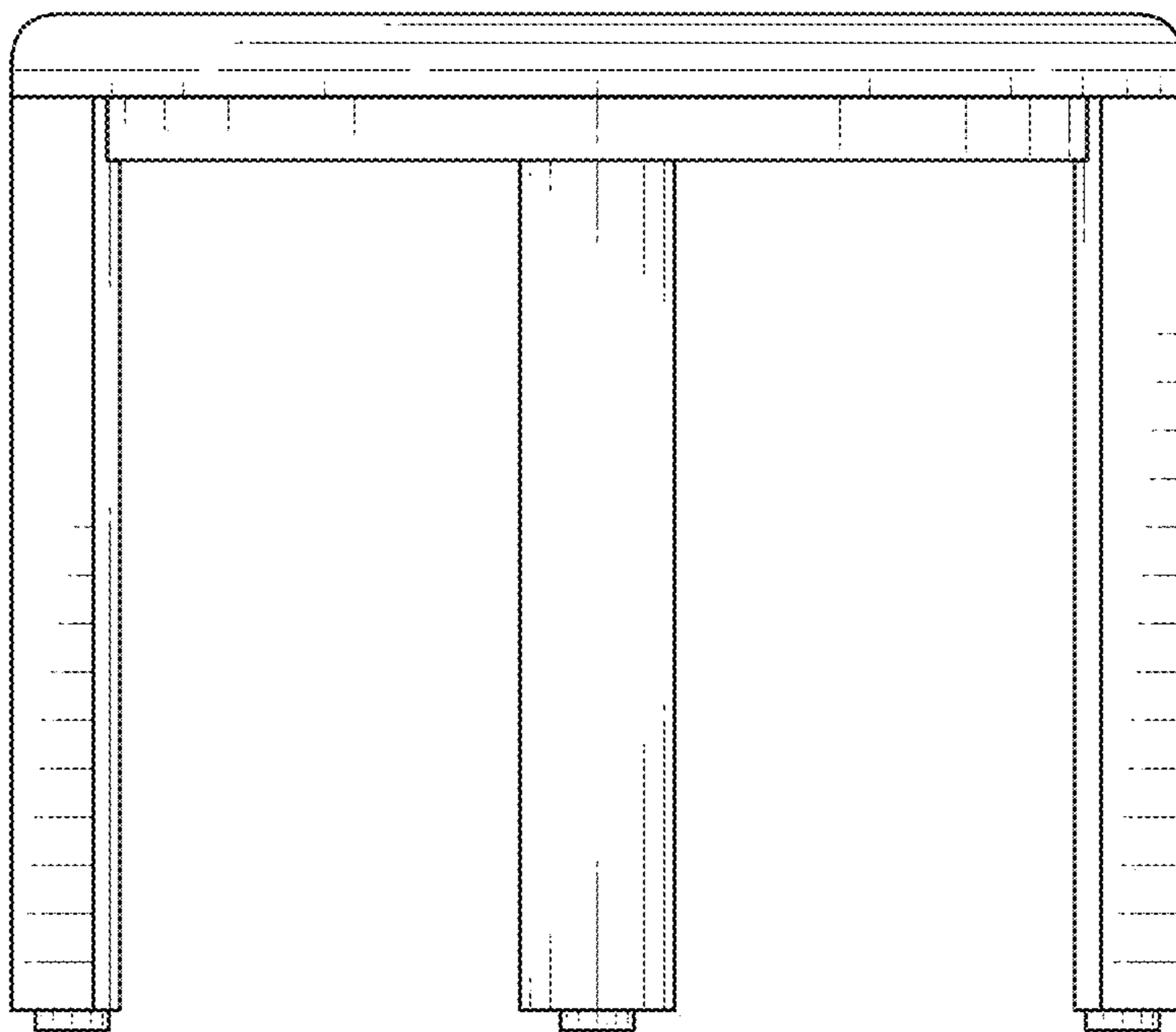


FIG. 2

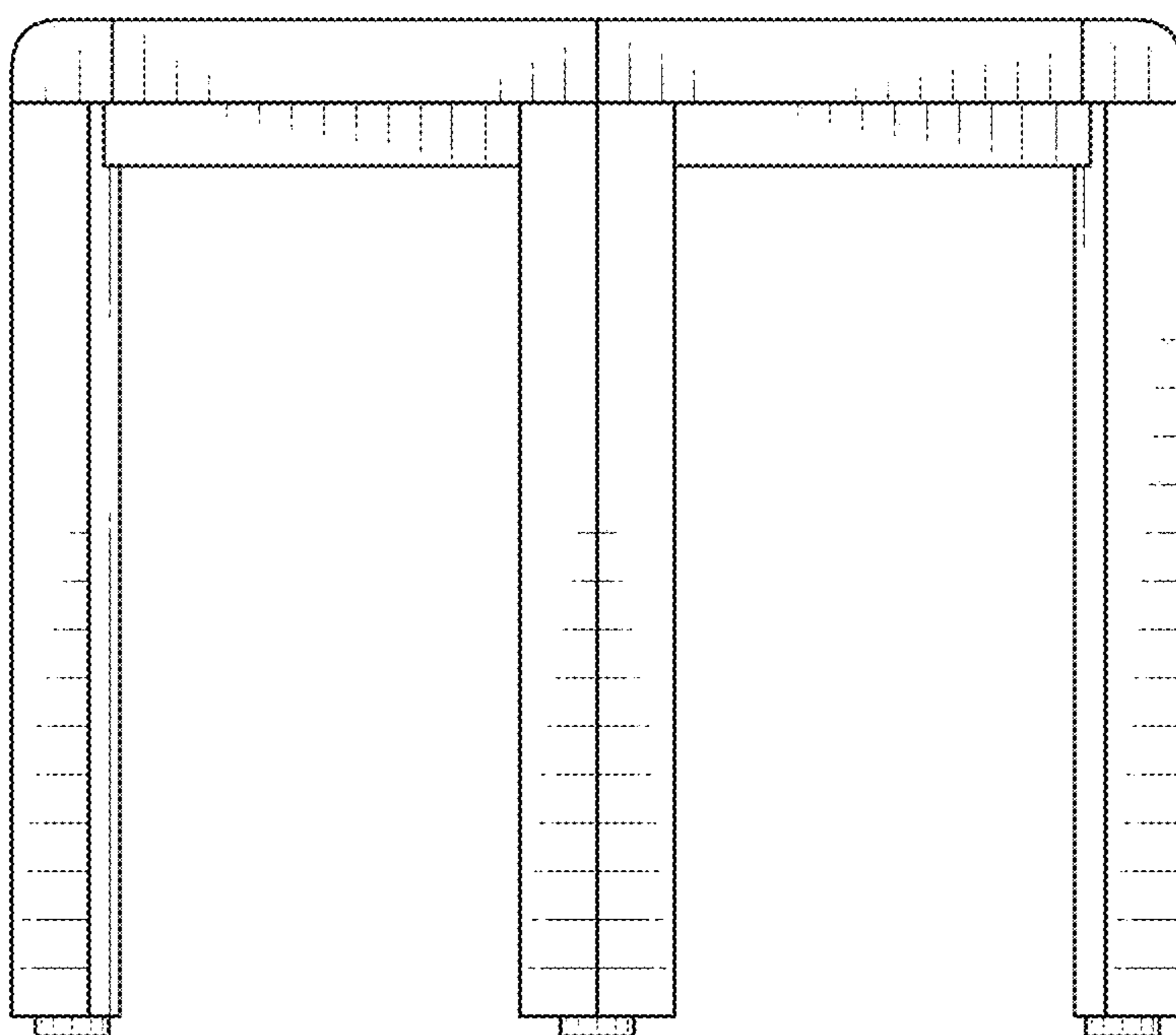


FIG. 3

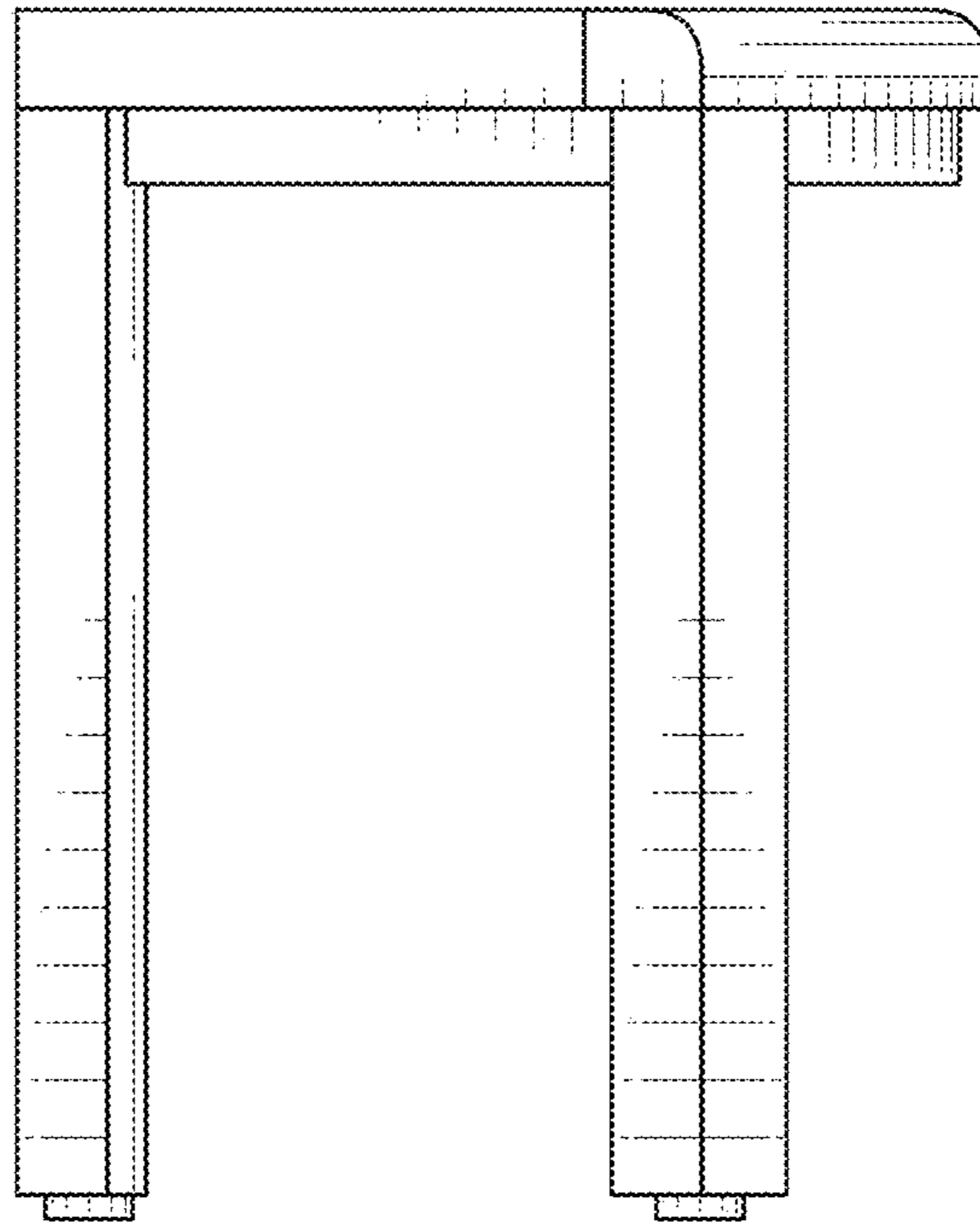


FIG. 4

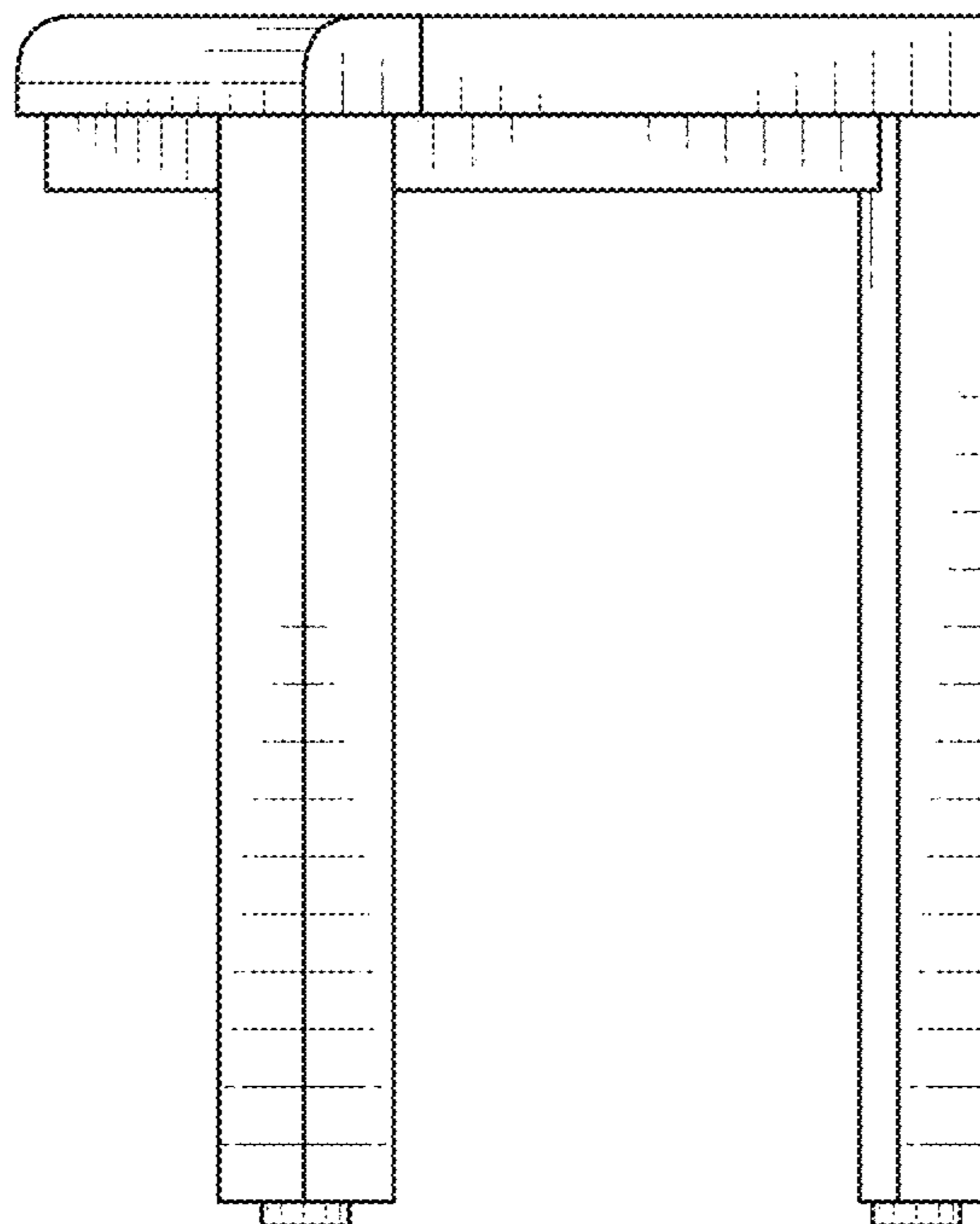


FIG. 5

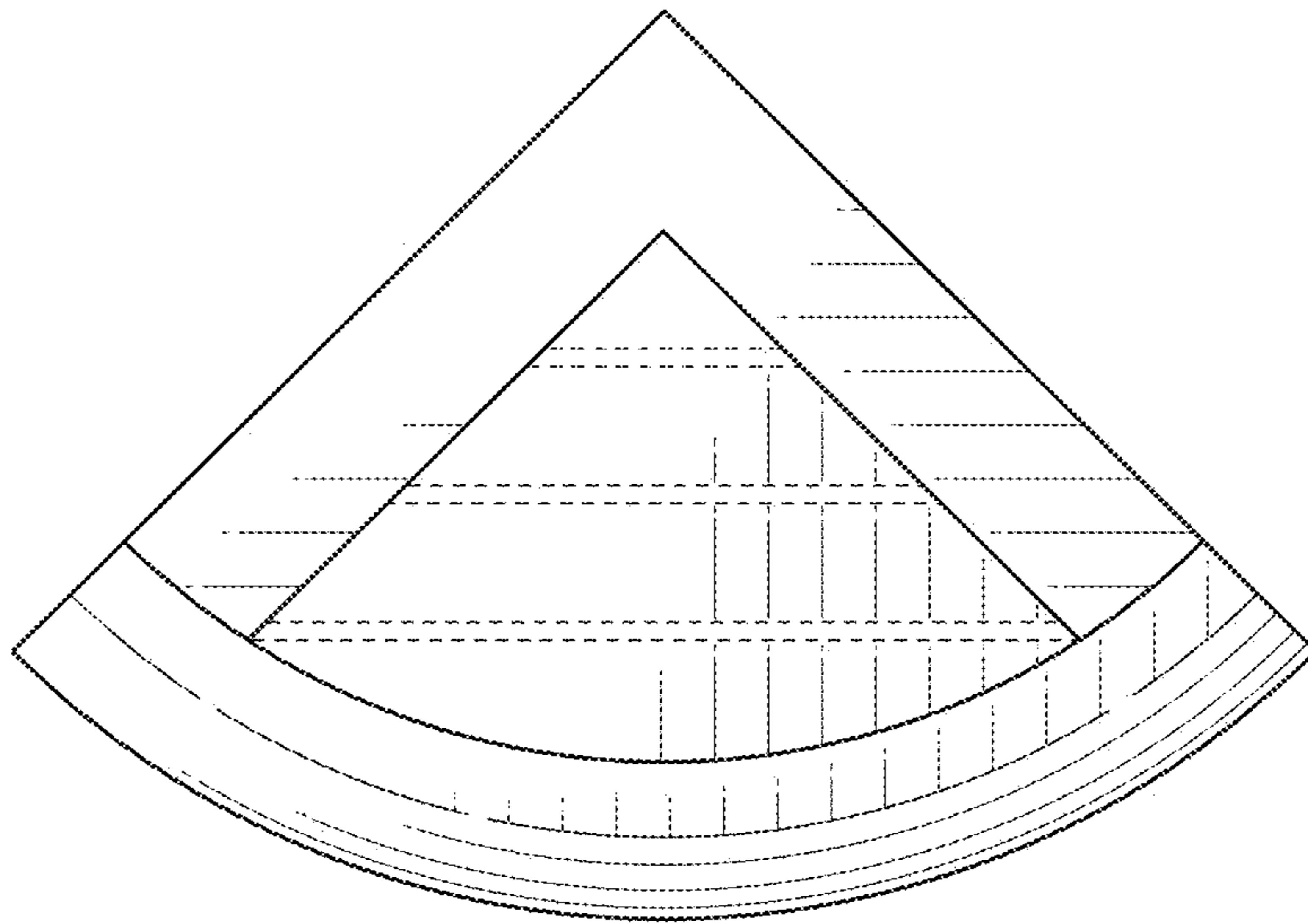


FIG. 6

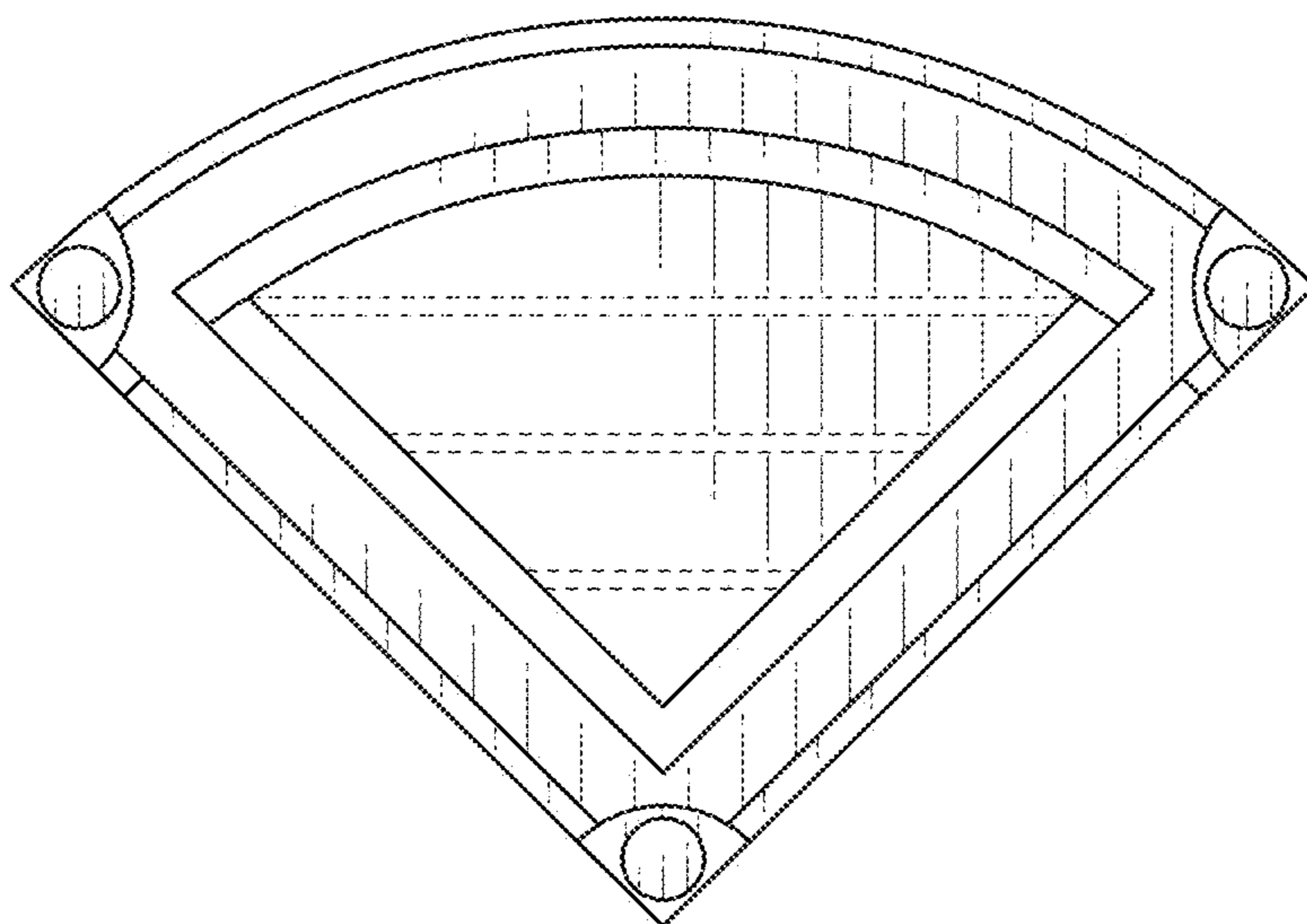


FIG. 7