

US00D960617S

(12) **United States Design Patent** (10) **Patent No.:** **US D960,617 S**
Case et al. (45) **Date of Patent:** **** Aug. 16, 2022**

(54) **DISPLAY RISER**
(71) Applicant: **Target Brands, Inc.**, Minneapolis, MN (US)
(72) Inventors: **Christopher S. Case**, Shakopee, MN (US); **Kevin Huljich**, Waitakere (NZ); **Paul Trottier**, Apple Valley, MN (US)

(73) Assignee: **Target Brands, Inc.**, Minneapolis, MN (US)

(**) Term: **15 Years**

(21) Appl. No.: **29/745,027**

(22) Filed: **Aug. 3, 2020**

(51) **LOC (13) Cl.** **06-06**

(52) **U.S. Cl.**
USPC **D6/675.3**

(58) **Field of Classification Search**
USPC D6/672, 673, 65, 675.1, 675.3, 682, D6/682.5, 702; D26/141; D14/447
CPC .. A47F 5/00; A47F 2005/0075; A47F 5/0062; A47F 5/0876; A47F 5/0884; A47F 5/105; A47F 7/00
See application file for complete search history.

(56) **References Cited**

U.S. PATENT DOCUMENTS

D227,984 S * 7/1973 Lang et al. D25/125
D242,890 S * 1/1977 Hillman D6/675.3
D381,088 S * 7/1997 DiGiorgio D25/124
D399,366 S * 10/1998 Stravitz D6/407
D453,971 S * 2/2002 Baker D25/124
D577,857 S * 9/2008 Tress D26/141
D669,211 S * 10/2012 Larson D26/138

D718,556 S * 12/2014 Kreuzer D6/574
D736,020 S * 8/2015 Martell et al.
D741,094 S * 10/2015 Martell et al.
D806,939 S * 1/2018 Klus D26/142
D834,015 S * 11/2018 Case et al.
10,185,374 B2 * 1/2019 Yang H05K 7/1487
D861,002 S * 9/2019 Bergeron-Mirsky D6/675.3
D914,027 S * 3/2021 Zhang D14/447
D933,879 S * 10/2021 Trzesniowski D26/141
2018/0325286 A1 * 11/2018 Welk A47B 96/025

* cited by examiner

Primary Examiner — Kelley A Donnelly

(74) *Attorney, Agent, or Firm* — Leanne Taveggia Farrell; Westman, Champlin & Koehler, P.A.

(57) **CLAIM**

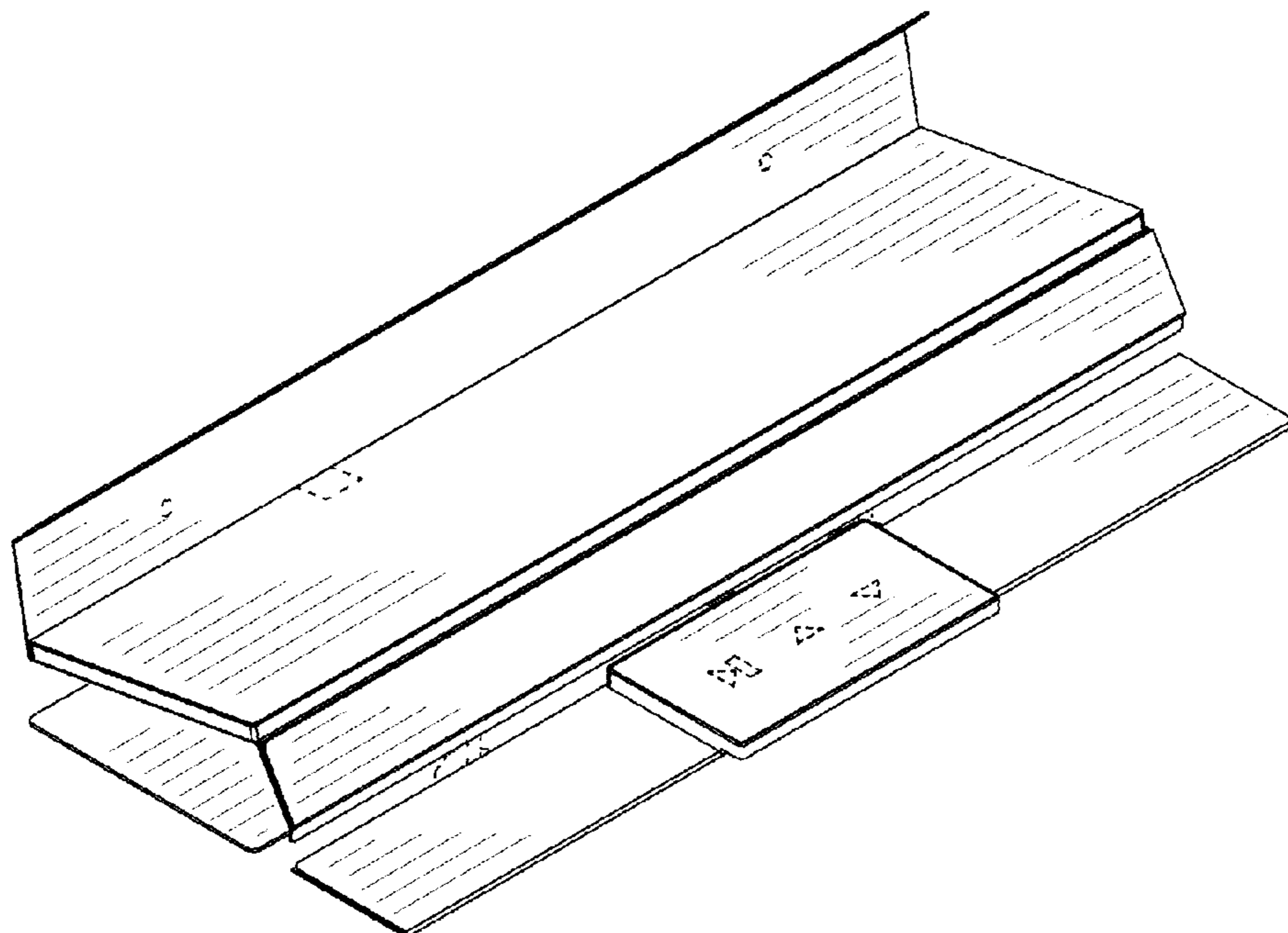
The ornamental design for a display riser, as shown and described.

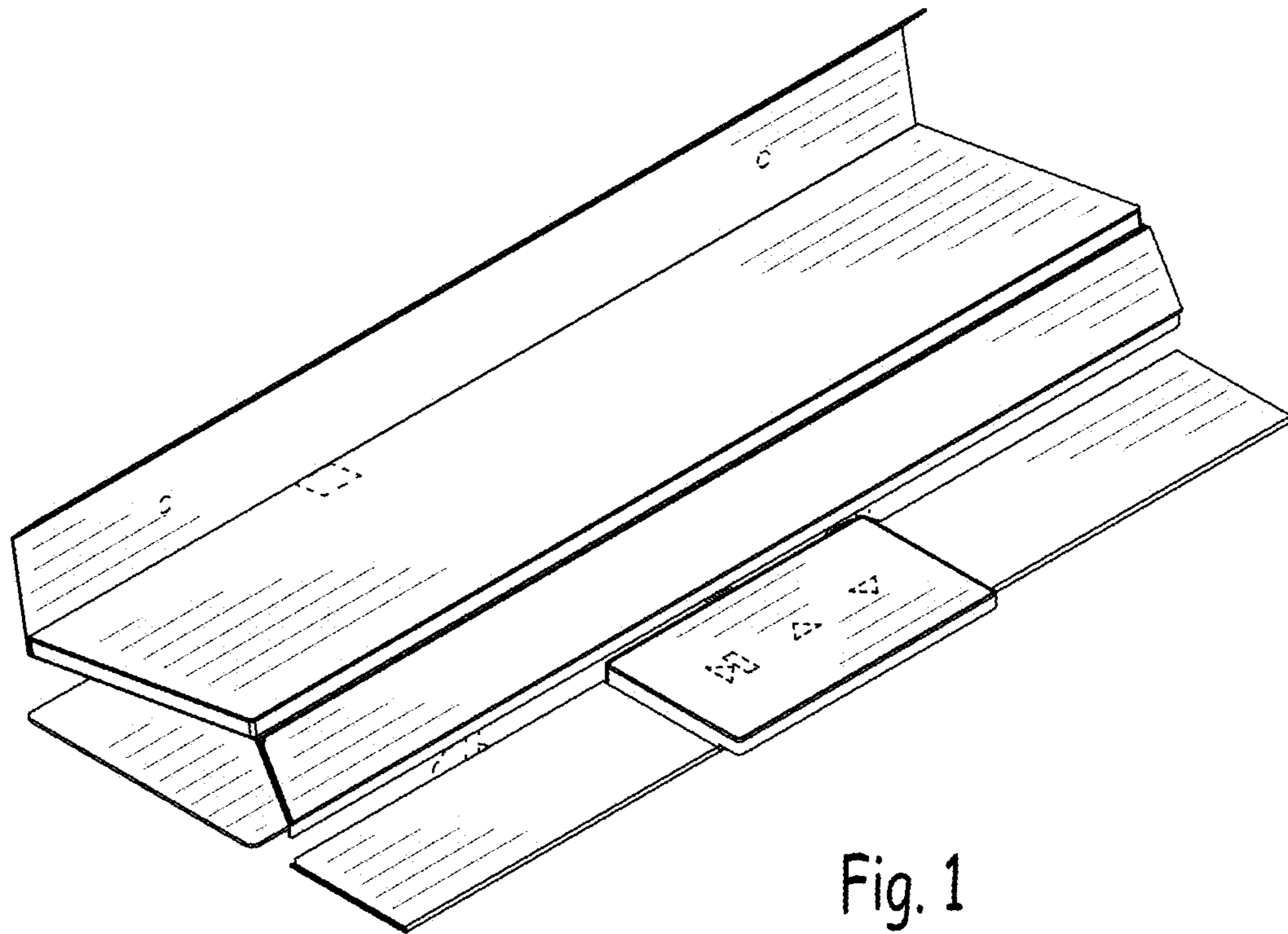
DESCRIPTION

FIG. 1 is a perspective view of a first embodiment of the display riser showing our new design; FIG. 2 is a top view thereof; FIG. 3 is a front view thereof; FIG. 4 is a right side view thereof, the left side view being a mirror image; FIG. 5 is a perspective view of a second embodiment thereof; FIG. 6 is a top view of FIG. 5; FIG. 7 is a front view of FIG. 5; and, FIG. 8 is a left side view of FIG. 5, the right side view being a mirror image.

The broken lines shown in the drawings are included for purposes of illustrating portions of the display riser and form no part of the claimed design.

1 Claim, 5 Drawing Sheets





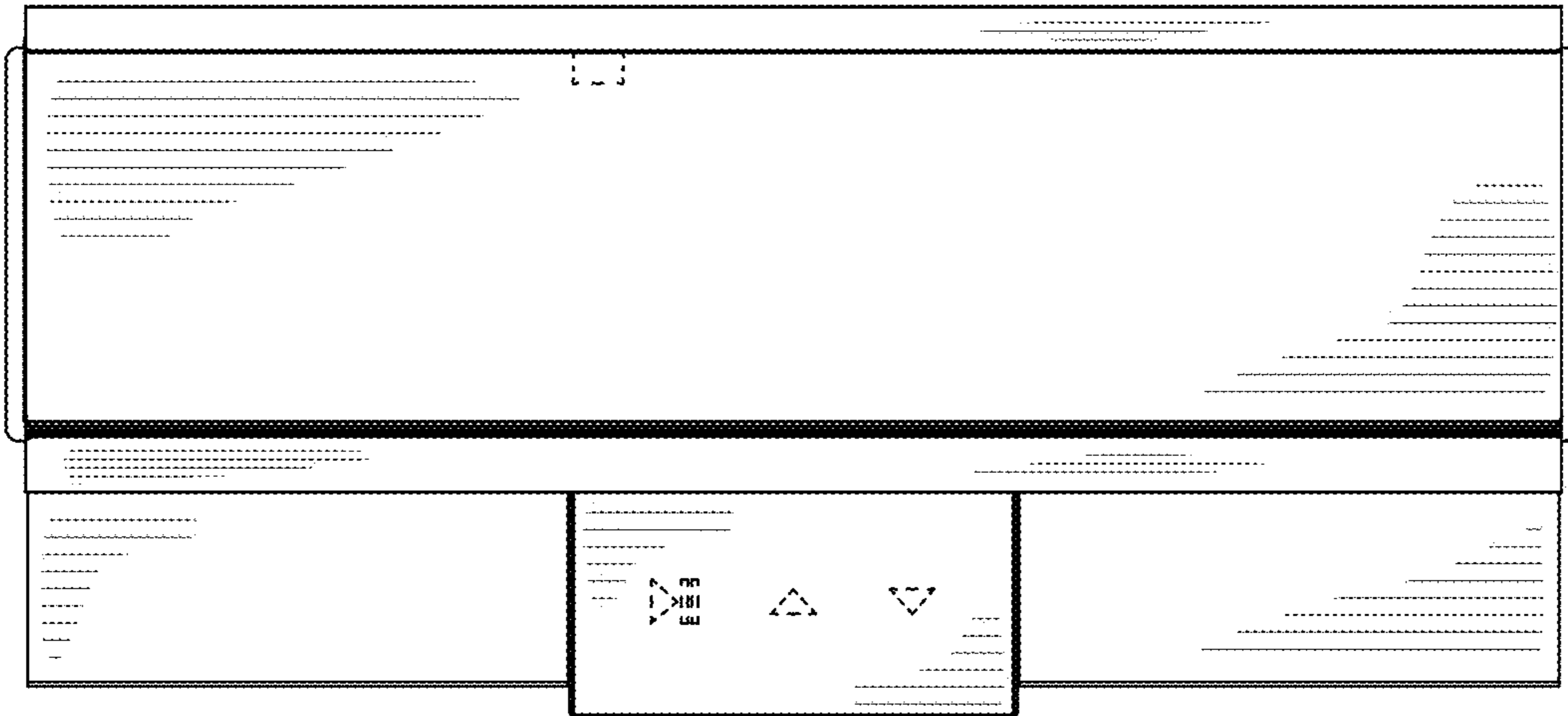


Fig. 2

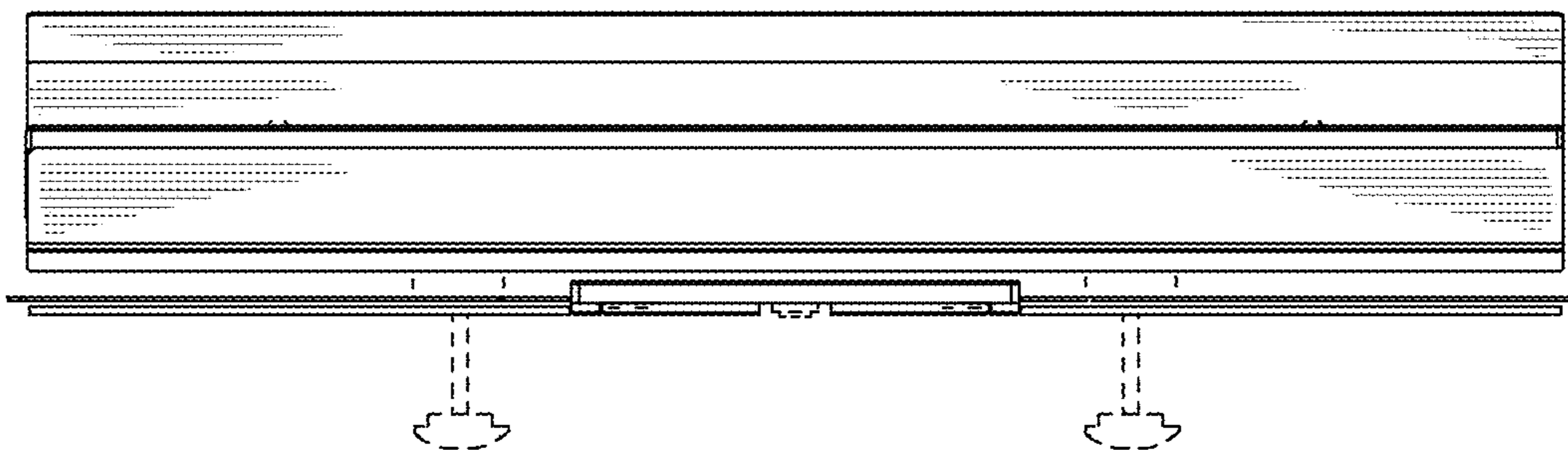


Fig. 3

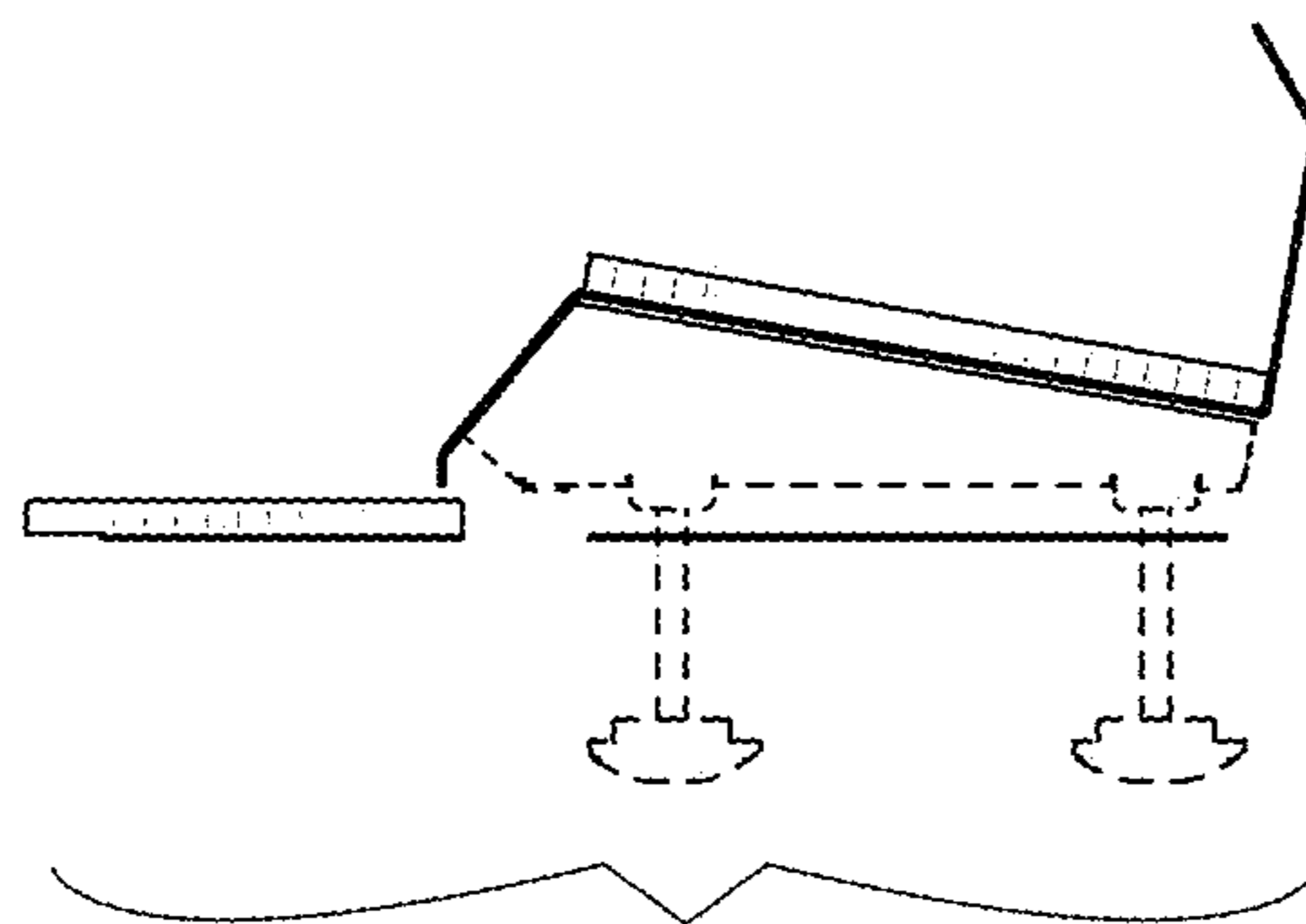


Fig. 4

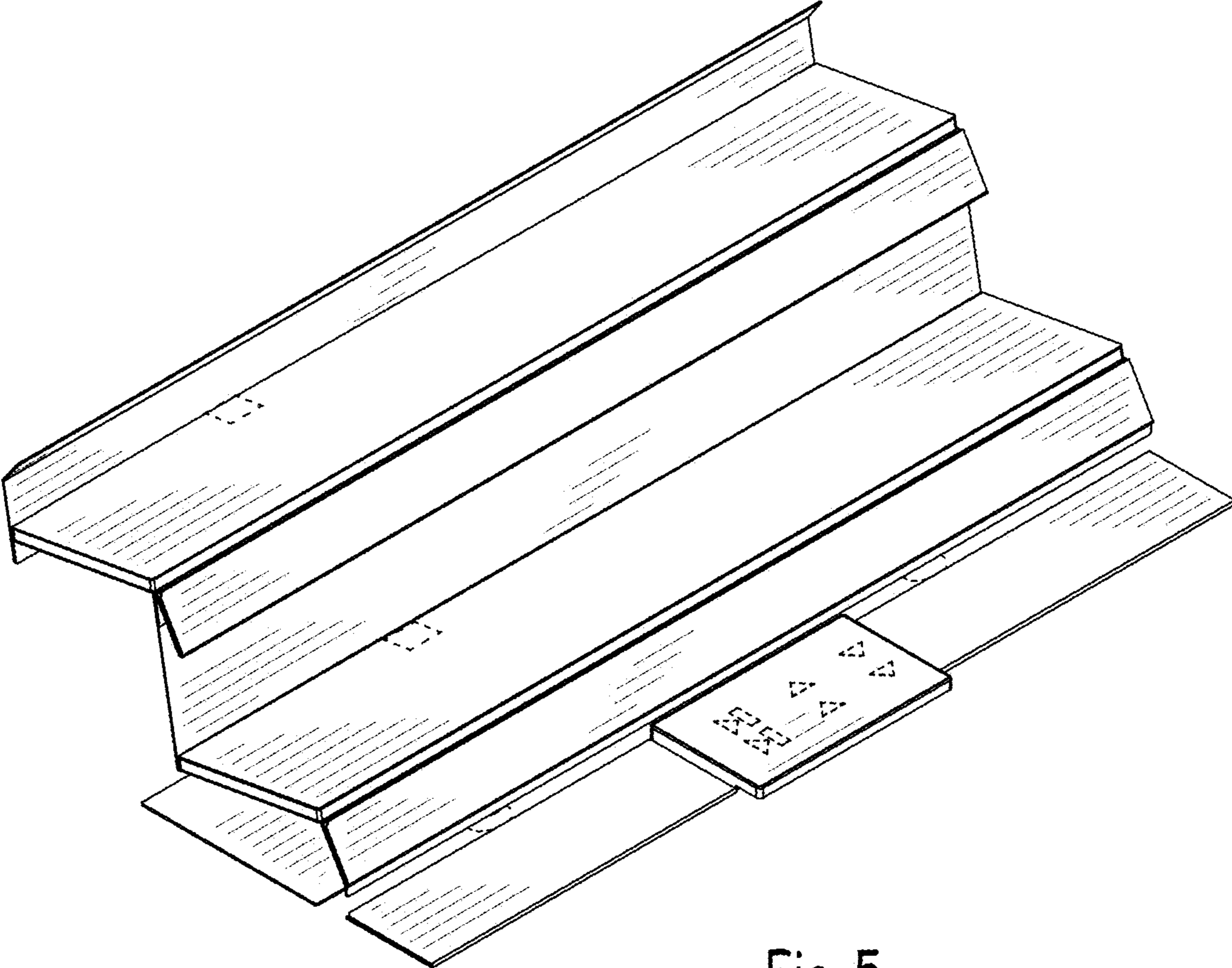


Fig. 5

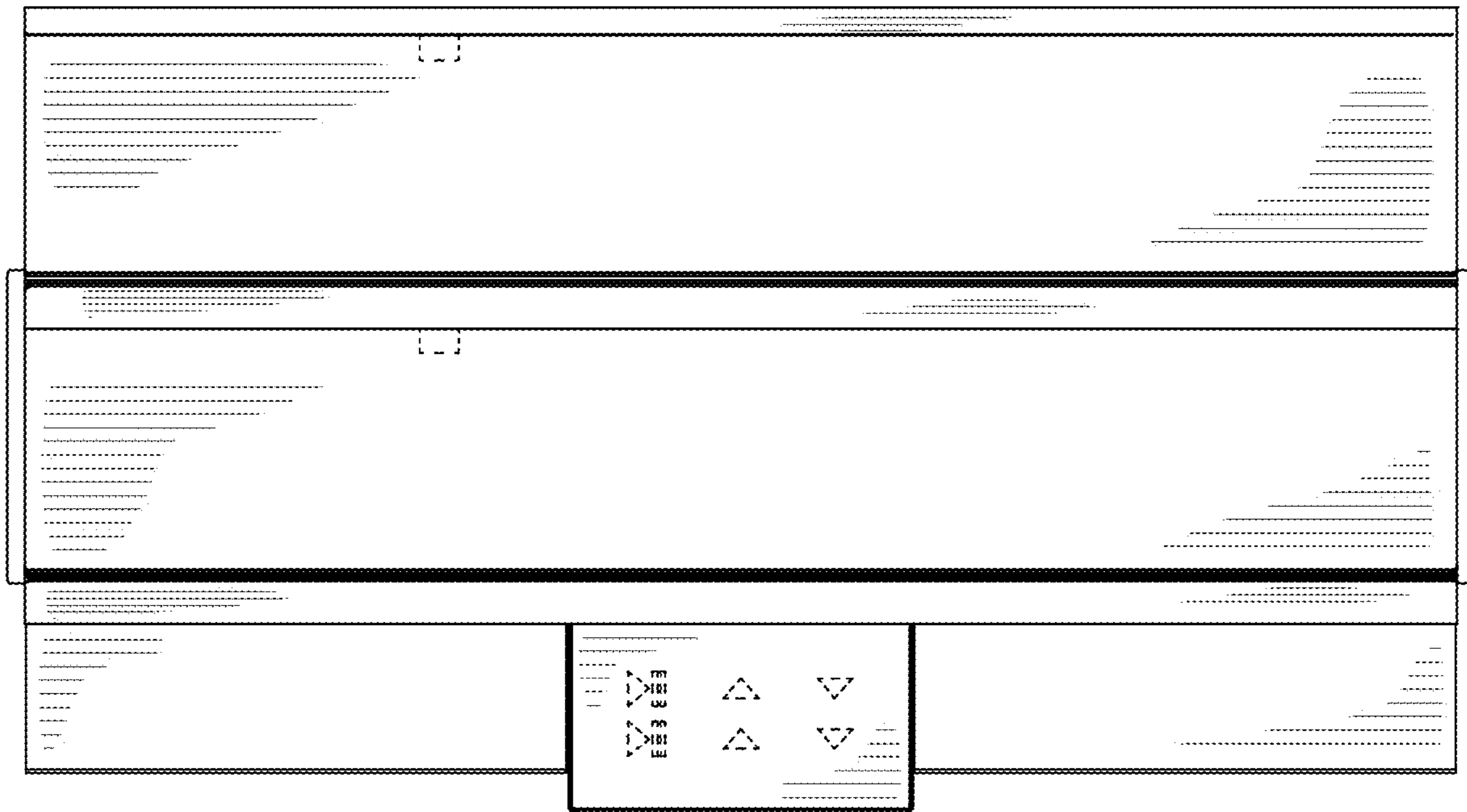


Fig. 6

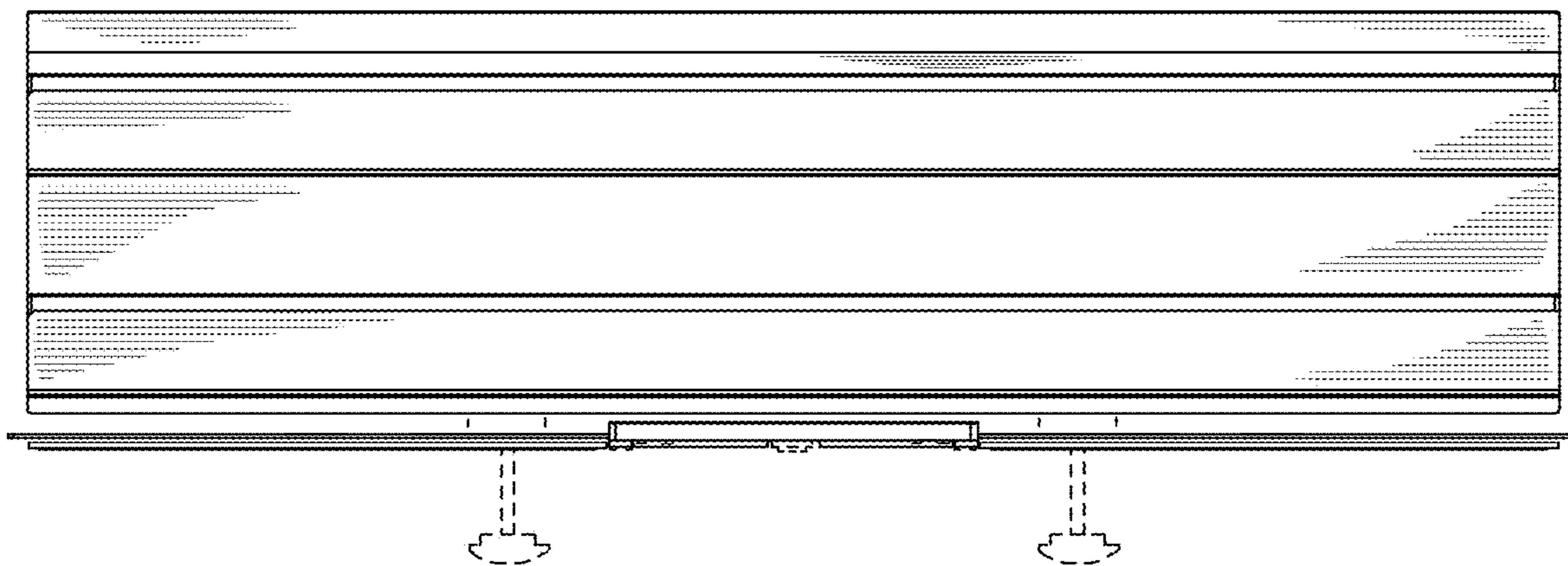


Fig. 7

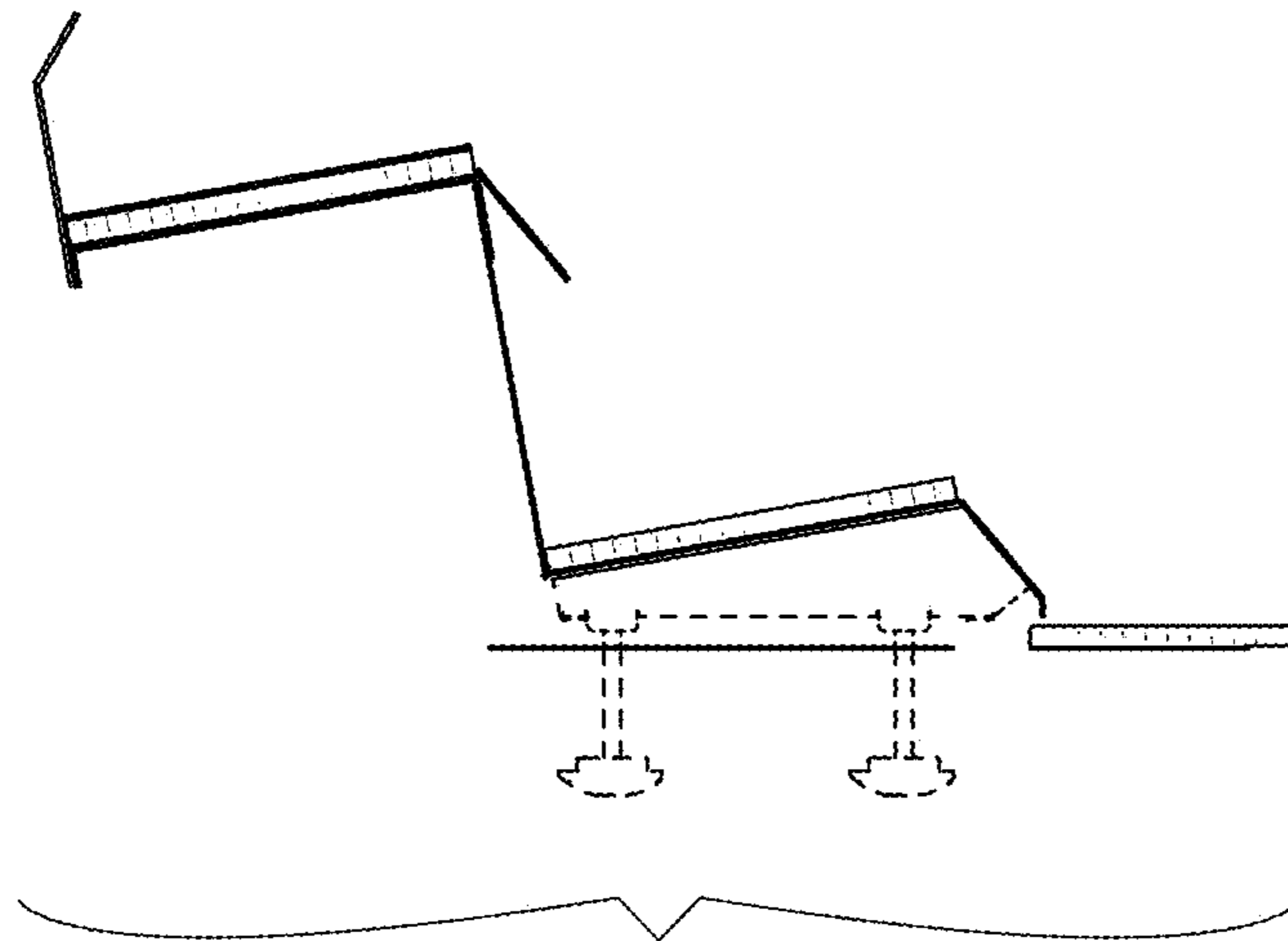


Fig. 8