



US00D960614S

(12) **United States Design Patent** (10) **Patent No.:** **US D960,614 S**
Brugger et al. (45) **Date of Patent:** **** Aug. 16, 2022**

(54) **RETAIL FIXTURE**

(56) **References Cited**

(71) Applicant: **Apple Inc.**, Cupertino, CA (US)

U.S. PATENT DOCUMENTS

(72) Inventors: **Alice Marlin Brugger**, San Francisco, CA (US); **Manuel Dejesus**, San Francisco, CA (US); **Joshua Robert Edwards**, Santa Cruz, CA (US); **Jean-Marc Gady**, Los Altos, CA (US); **Wesley Bryan Hamm**, San Francisco, CA (US); **Russell John Kaaihue Heirakuji**, Cupertino, CA (US); **Allison Inouye**, San Francisco, CA (US); **Moritz Wilsberg**, Rheinbreitbach (DE)

435,254 A 8/1890 Straughan
455,280 A 6/1891 Emerson
464,148 A 12/1891 Campbell
D41,125 S 1/1911 Klee

(Continued)

FOREIGN PATENT DOCUMENTS

EM 002886234-0011 2/2016
EM 002992065-0002 2/2016

(Continued)

(73) Assignee: **Apple Inc.**, Cupertino, CA (US)

OTHER PUBLICATIONS

(**) Term: **15 Years**

Japanese Patent Office document HB23000547, Nachrichten, dated Feb. 2011 (2 pages).

(21) Appl. No.: **29/817,837**

Japanese Patent Office document HC14036518 (2 pages).

(22) Filed: **Dec. 3, 2021**

Primary Examiner — Kelley A Donnelly

(74) *Attorney, Agent, or Firm* — Sterne, Kessler, Goldstein & Fox P.L.L.C.

Related U.S. Application Data

(63) Continuation of application No. 29/747,622, filed on Aug. 24, 2020, now Pat. No. Des. 937,612, which is a continuation of application No. 29/727,169, filed on Mar. 9, 2020, now Pat. No. Des. 893,923, which is a continuation of application No. 29/681,841, filed on Feb. 28, 2019, now Pat. No. Des. 877,548, which is a continuation of application No. 29/656,127, filed on Jul. 10, 2018, now Pat. No. Des. 867,035.

(57) **CLAIM**

The ornamental design for a retail fixture, as shown and described.

(51) **LOC (13) Cl.** **06-06**

(52) **U.S. Cl.**

USPC **D6/675**

(58) **Field of Classification Search**

USPC D6/672, 675, 675.1, 678, 678.1, 682, D6/682.3, 682.4, 683, 683.1

CPC A47B 73/00; A47B 73/002; A47B 47/00; A47B 47/008; A47B 47/25; A47F 5/00; A47F 5/0062

See application file for complete search history.

DESCRIPTION

FIG. 1 is a top front perspective view of a retail fixture showing the claimed design;

FIG. 2 is a front view thereof;

FIG. 3 is a rear view thereof;

FIG. 4 is a left side view thereof;

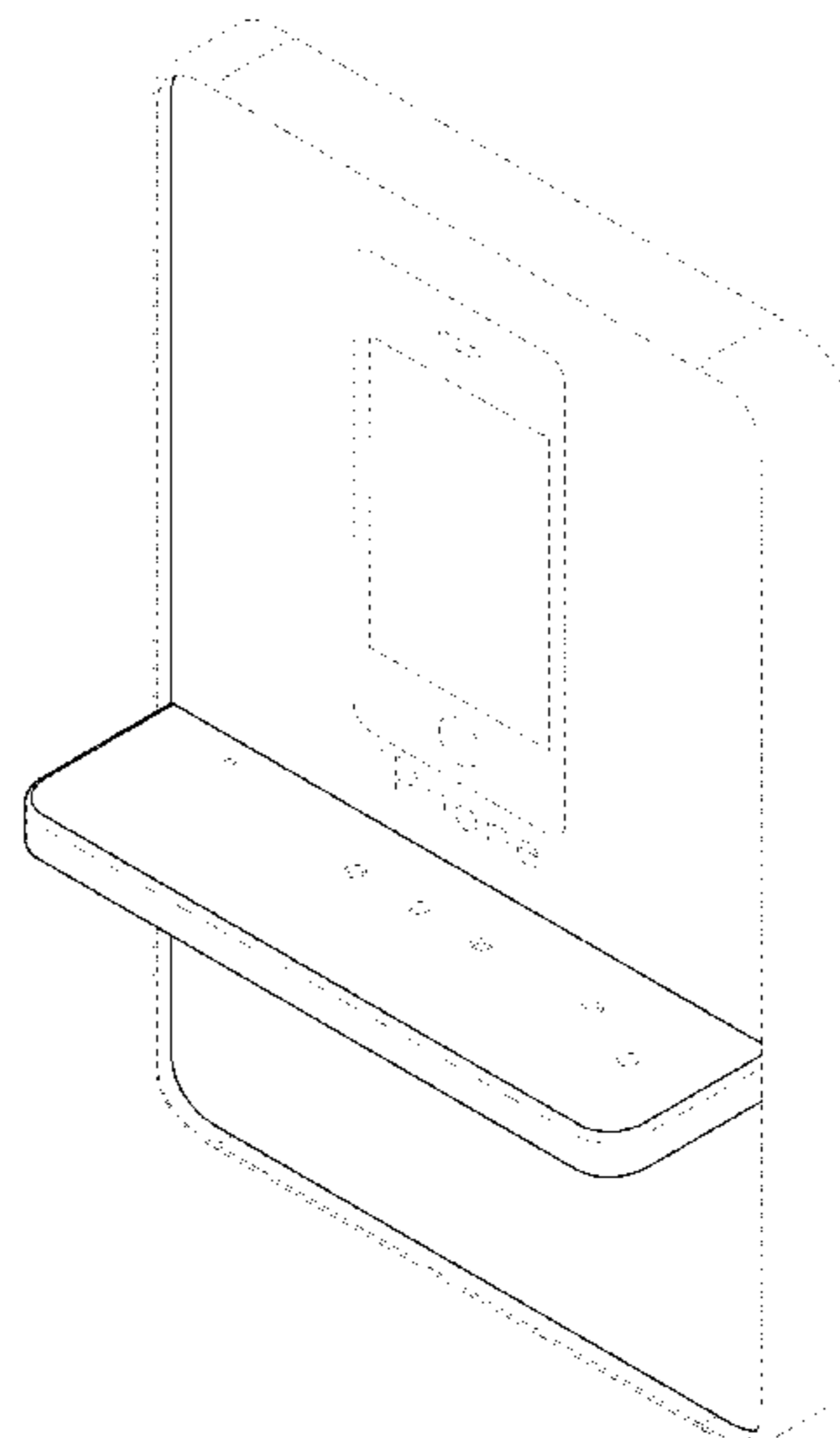
FIG. 5 is a right side view thereof;

FIG. 6 is a top view thereof; and,

FIG. 7 is a bottom view thereof.

The broken lines in the figures show portions of the retail fixture that form no part of the claimed design.

1 Claim, 5 Drawing Sheets



(56)

References Cited

U.S. PATENT DOCUMENTS

D144,844 S	5/1945	Dunham	D478,582 S	8/2003	Becker et al.
3,014,773 A	12/1961	Foote, Jr. et al.	D495,901 S	9/2004	Bosman
3,408,128 A	10/1968	Kump	D497,485 S	10/2004	Resultan
D212,886 S	12/1968	Gordon	D497,486 S	10/2004	Quiel
D218,325 S	8/1970	Sherman	D501,284 S	1/2005	Mount
3,721,413 A	3/1973	Robinson	D501,889 S	2/2005	Harris et al.
3,740,881 A	6/1973	Finger	D509,543 S	9/2005	Hillstrom et al.
D232,289 S	8/1974	Moretine	D515,846 S	2/2006	Reeves et al.
4,116,509 A	9/1978	Smith	D521,275 S	5/2006	Dusenberry
D250,868 S	1/1979	Ornatek	D522,274 S	6/2006	Coval
4,144,664 A	3/1979	De Korte	D538,068 S	3/2007	Newhouse et al.
4,193,650 A	3/1980	Gray et al.	D538,556 S	3/2007	Arias
D256,197 S	8/1980	Kates	D543,561 S	5/2007	Fogarty et al.
D262,664 S	1/1982	Willits, Jr.	7,228,654 B2	6/2007	Stravitz
D264,731 S	6/1982	Shuman	D554,907 S	11/2007	Edison et al.
D265,618 S	8/1982	Robertson et al.	D554,908 S	11/2007	Edison et al.
D274,203 S	6/1984	Evered	D559,577 S	1/2008	Quinn
D277,057 S	1/1985	Franklin	D559,581 S	1/2008	Knoettgen-Nap
D279,201 S	6/1985	Shuman	D567,535 S	4/2008	Hentschker
D288,997 S	3/1987	Kraynak	D576,426 S	9/2008	Yuen Schat et al.
D290,204 S	6/1987	Bruget	D584,075 S	1/2009	Hung
D291,512 S	8/1987	Everett	D585,943 S	2/2009	Pymm et al.
D307,079 S	4/1990	Robertson	D590,630 S	4/2009	Singler et al.
D314,877 S	2/1991	Bush et al.	D591,078 S	4/2009	Singler et al.
D317,681 S	6/1991	Stewart et al.	D591,079 S	4/2009	Singler et al.
D321,100 S	10/1991	Dorrell	D591,531 S	5/2009	Sparkowski
D323,944 S	2/1992	Maas	D591,974 S	5/2009	Singler et al.
D324,701 S	3/1992	Capps	D591,979 S	5/2009	Singler et al.
D329,155 S	9/1992	Schremmer	D592,422 S	5/2009	Rheault
D335,963 S	6/1993	Tracey	D593,775 S	6/2009	Singler et al.
D342,846 S	1/1994	Stefanowicz	D597,340 S	8/2009	Helgesen et al.
5,316,156 A	5/1994	Land et al.	D607,669 S	1/2010	Trinh et al.
D347,755 S	6/1994	Houston	D607,670 S	1/2010	Trinh et al.
D351,863 S	10/1994	Sarkisian et al.	D608,565 S	1/2010	Mori
5,369,553 A	11/1994	Trusiani	D610,832 S	3/2010	Rheault
D354,638 S	1/1995	Todd et al.	D613,344 S	4/2010	Hradisky
D359,488 S	6/1995	Hui	D632,903 S	2/2011	Paul
D362,236 S	9/1995	Dann et al.	D636,441 S	4/2011	Potts
D365,947 S	1/1996	Howard	D637,421 S	5/2011	Theisen et al.
D369,044 S	4/1996	Lechleiter et al.	D637,422 S	5/2011	Theisen et al.
5,577,817 A	11/1996	Reynolds	D639,086 S	6/2011	Curbbun et al.
D377,012 S	12/1996	Oslund	D641,571 S *	7/2011	Feldman D6/683.1
5,607,070 A	3/1997	Hellyer	D641,987 S	7/2011	Giroux
D379,377 S	5/1997	Rath	D641,988 S	7/2011	Giroux
D389,345 S	1/1998	Grosfillex	D641,989 S	7/2011	Giroux et al.
D392,686 S	3/1998	Sarkisian et al.	D641,992 S	7/2011	Giroux et al.
D395,677 S	6/1998	Gongora et al.	D642,360 S	8/2011	West
D396,251 S	7/1998	Mortensen	D642,390 S	8/2011	West
D397,562 S	9/1998	DePottey et al.	D642,824 S	8/2011	Theisen et al.
D398,462 S	9/1998	Baluk et al.	D644,039 S	8/2011	Naples et al.
D398,653 S	9/1998	Hiraguchi et al.	D646,503 S	10/2011	Fiori
D400,737 S	11/1998	DePottey et al.	D648,783 S	11/2011	Mathea
D408,383 S	4/1999	Carter et al.	D649,192 S	11/2011	Beukema et al.
5,890,607 A	4/1999	Maglione	D653,475 S	2/2012	Thompson
D410,036 S	5/1999	Washington	D655,947 S	3/2012	Doane
D427,808 S	7/2000	Bedard	D657,978 S	4/2012	Hamm et al.
D429,427 S *	8/2000	Melillo D6/657	D658,615 S	5/2012	Chiu
D434,451 S	11/2000	Grimshaw	D660,361 S	5/2012	Carver, Jr.
D434,929 S	12/2000	Heiny et al.	D661,123 S	6/2012	Curbbun et al.
6,164,467 A	12/2000	DePottey et al.	D661,124 S	6/2012	Curbbun et al.
6,170,678 B1	1/2001	de la Fuente	D661,922 S	6/2012	Mitri
D438,256 S	2/2001	Timmermans et al.	8,228,668 B2	7/2012	Asamarai et al.
D438,403 S	3/2001	Greenburg	D671,535 S	11/2012	Terashima et al.
D439,445 S	3/2001	Riga et al.	D676,430 S	2/2013	Blaser
D442,796 S	5/2001	Brozak, Jr.	D678,696 S	3/2013	Hamm et al.
D443,308 S	6/2001	Kovell	D678,969 S	3/2013	Oldknow et al.
D446,821 S	8/2001	Decaux	D679,521 S	4/2013	Hamm et al.
D451,309 S *	12/2001	Riga D6/672	D680,350 S	4/2013	Peake-Atkins et al.
6,357,609 B1	3/2002	Van Noord et al.	D682,581 S	5/2013	Kikkert et al.
D457,016 S	5/2002	Dudley	D683,982 S	6/2013	Kikkert et al.
D458,059 S	6/2002	Dudley	D684,792 S	6/2013	Kikkert et al.
D463,499 S	9/2002	Marcos	D685,205 S	7/2013	Kikkert et al.
D465,529 S	11/2002	Hummell	D688,494 S	8/2013	Hamm et al.
D468,134 S	1/2003	Oikawa	D691,838 S	10/2013	Hinkle
D470,892 S	2/2003	Linko, Sr.	D693,156 S	11/2013	Hamm et al.
			8,602,227 B1	12/2013	McDonald
			D700,901 S	3/2014	Giglio et al.
			D708,459 S	7/2014	Heirakuji et al.
			D709,952 S	7/2014	Logan et al.

(56)

References Cited

U.S. PATENT DOCUMENTS

D713,658 S 9/2014 Tio et al.
 D717,085 S 11/2014 Trinh et al.
 D717,573 S 11/2014 Fishman et al.
 D720,557 S * 1/2015 Lehmann D6/657
 D722,313 S 2/2015 Birgeoglu
 D722,794 S 2/2015 Luong
 D723,025 S 2/2015 Birgeoglu
 D723,026 S 2/2015 Birgeoglu
 D725,108 S 3/2015 Yeon
 D725,638 S 3/2015 Hofman et al.
 D725,947 S 4/2015 Tio et al.
 D727,995 S 4/2015 Vilcovsky
 D728,281 S 5/2015 Heirakuji et al.
 D728,283 S 5/2015 Weshler et al.
 D730,852 S 6/2015 Park et al.
 D734,965 S 7/2015 Tio et al.
 D737,604 S 9/2015 Bridger et al.
 D741,091 S 10/2015 Tio et al.
 D742,455 S 11/2015 Denby et al.
 D742,870 S 11/2015 Berini
 D750,970 S 3/2016 Moreno
 D753,754 S 4/2016 Vilcovsky et al.
 D756,137 S 5/2016 Abelmann et al.
 D757,465 S * 5/2016 Woelfel D6/672
 D758,105 S 6/2016 Taraczky
 D758,106 S 6/2016 Hamm et al.
 D763,605 S 8/2016 Bridger et al.
 D764,265 S 8/2016 Monsees et al.
 D767,922 S 10/2016 Jussila
 D769,651 S 10/2016 Tio et al.
 D770,203 S 11/2016 Thaler et al.
 D778,087 S 2/2017 Mandon et al.
 D779,240 S 2/2017 Tio et al.
 D779,859 S 2/2017 Richardson et al.
 D785,975 S 5/2017 Thaler et al.
 D785,978 S 5/2017 Brown et al.
 D790,260 S 6/2017 Tio et al.
 D794,361 S * 8/2017 Siekmann D6/662

D795,751 S 8/2017 Roth et al.
 D796,234 S 9/2017 Thaler et al.
 D806,447 S 1/2018 Burton et al.
 D806,448 S 1/2018 Burton et al.
 D807,086 S 1/2018 Tio et al.
 D813,832 S 3/2018 Kim et al.
 D815,864 S 4/2018 Burton et al.
 D817,039 S * 5/2018 Adolph D6/657
 D820,619 S * 6/2018 Brugger D6/675.1
 D821,116 S 6/2018 Hamm et al.
 D821,117 S 6/2018 Gorman et al.
 D824,702 S 8/2018 Tio et al.
 D824,894 S 8/2018 Marasco et al.
 D842,628 S 3/2019 Siminoff et al.
 D848,184 S * 5/2019 Campbell D6/662.1
 D852,274 S 6/2019 Lim et al.
 D861,385 S * 10/2019 Gorman D6/661
 D861,394 S * 10/2019 Fenneman D6/675.1
 D865,064 S * 10/2019 Yeo D20/99
 D867,035 S 11/2019 Brugger et al.
 D867,036 S * 11/2019 Brugger D6/675
 D877,548 S * 3/2020 Brugger D6/675
 D887,185 S * 6/2020 Brugger D6/675
 D927,896 S * 8/2021 Pedersen D6/657
 D930,405 S * 9/2021 Brugger D6/675
 D930,409 S * 9/2021 Inouye D6/675.1
 D937,612 S * 12/2021 Brugger D6/675
 D941,613 S * 1/2022 Millar D6/672
 2005/0279033 A1 12/2005 Faber et al.
 2007/0170823 A1 7/2007 Stannis et al.
 2014/0306584 A1 10/2014 DeMars
 2016/0217718 A1 7/2016 Silver
 2017/0127832 A1 5/2017 Klacking
 2018/0092470 A1 4/2018 Johnson et al.

FOREIGN PATENT DOCUMENTS

KR 30-0634368 3/2012
 WO WO DM-082406 10/2013

* cited by examiner

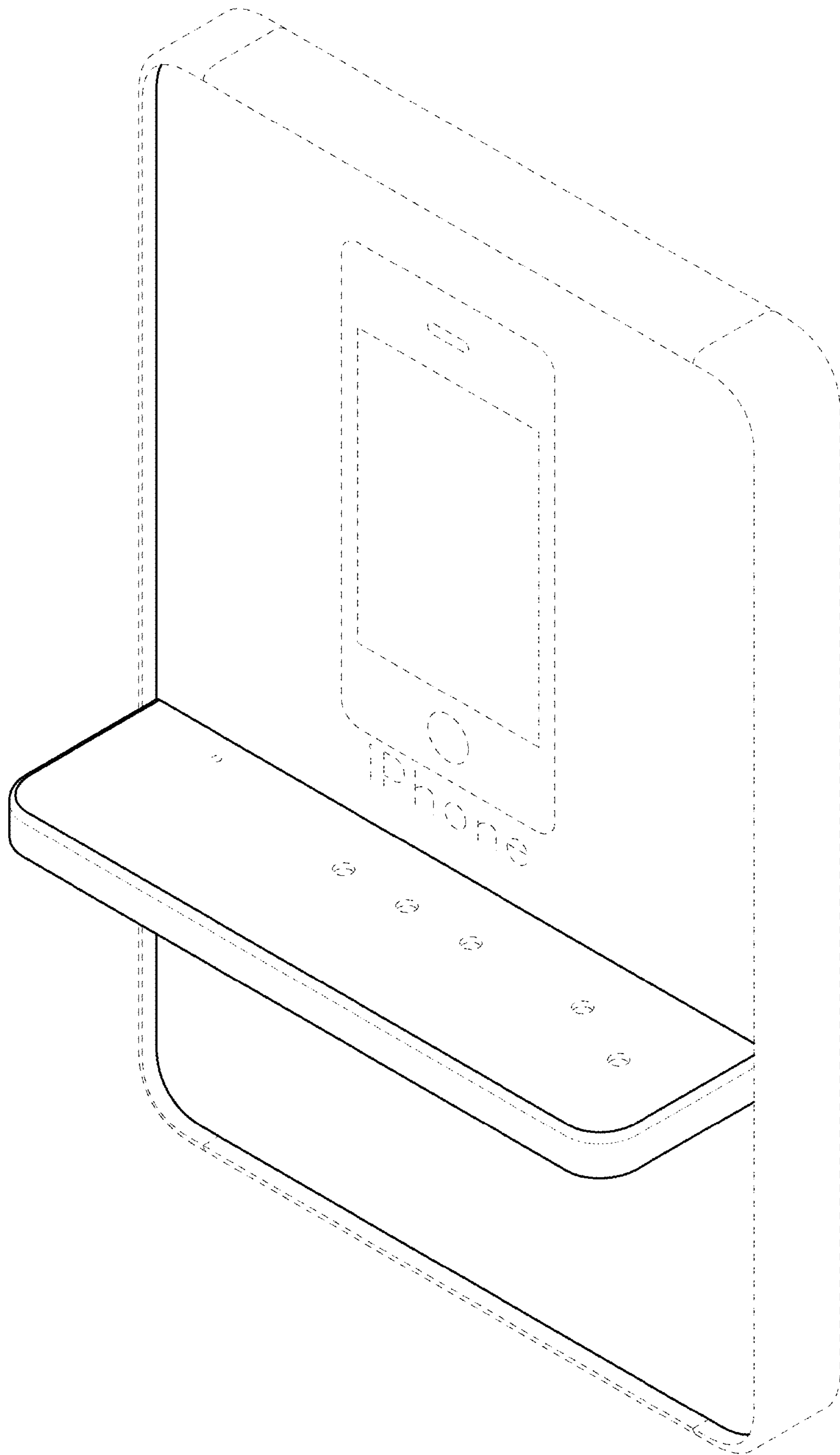


FIG. 1

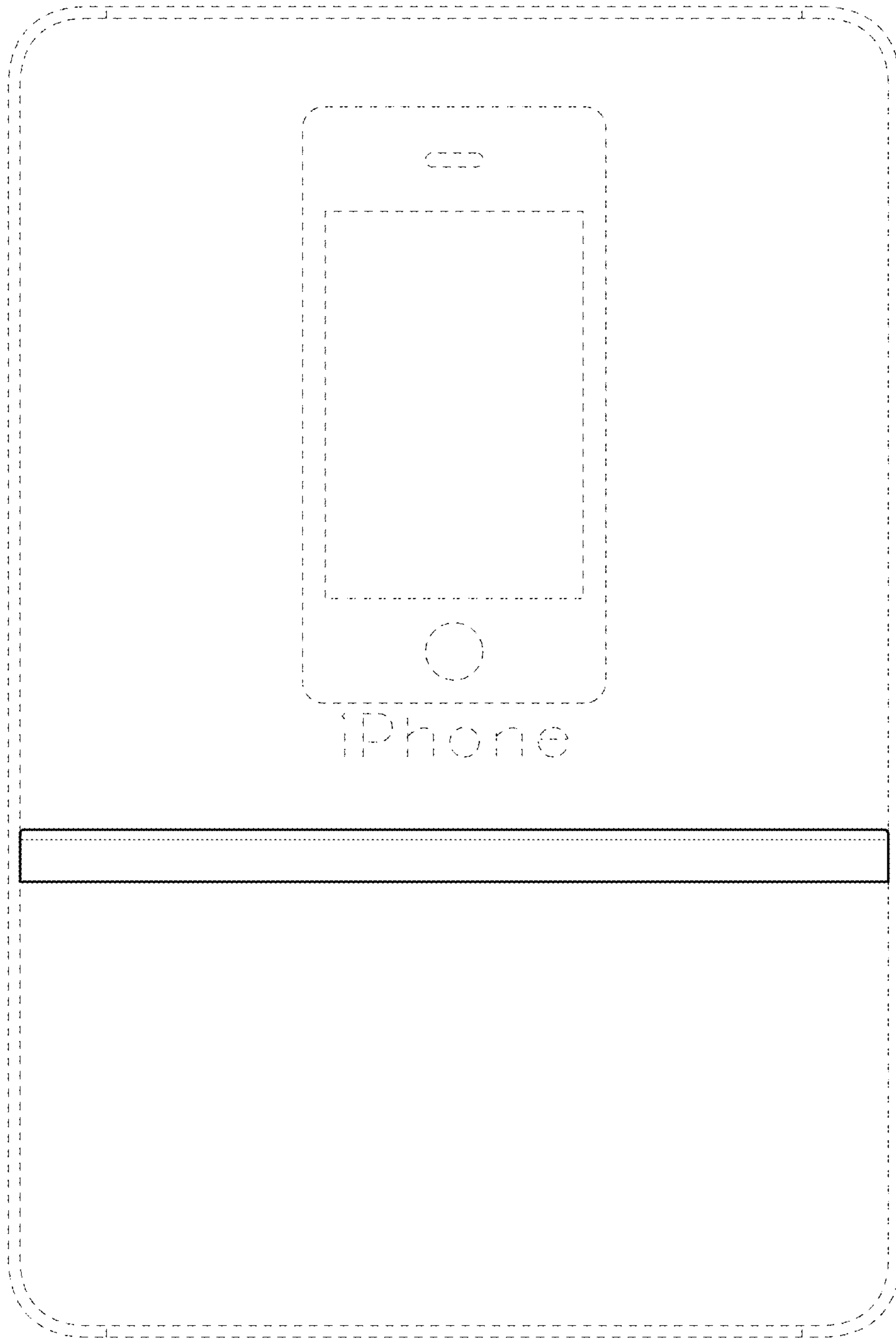


FIG. 2



FIG. 3

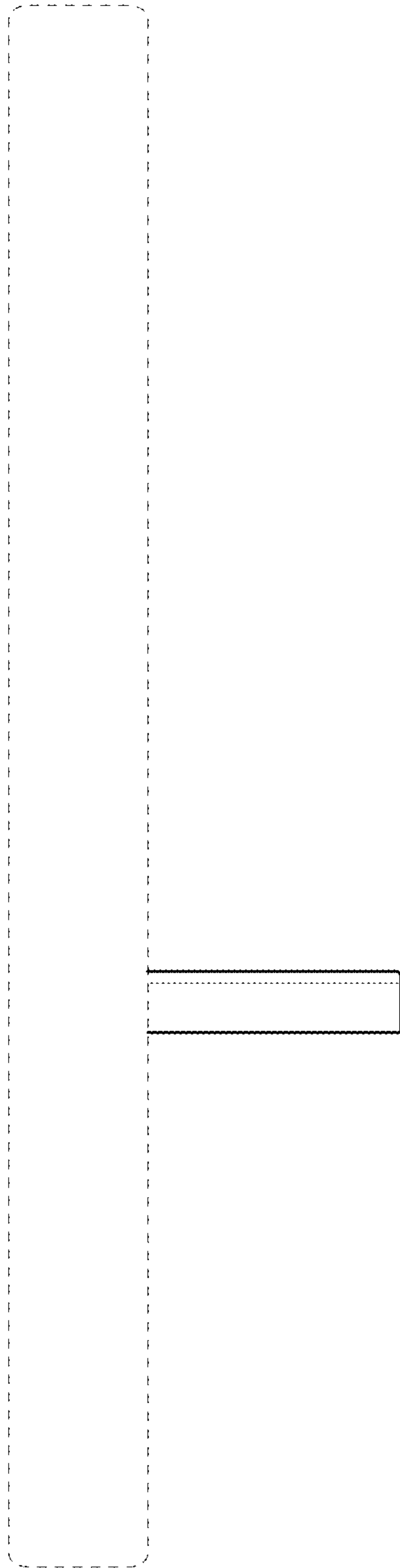


FIG. 4

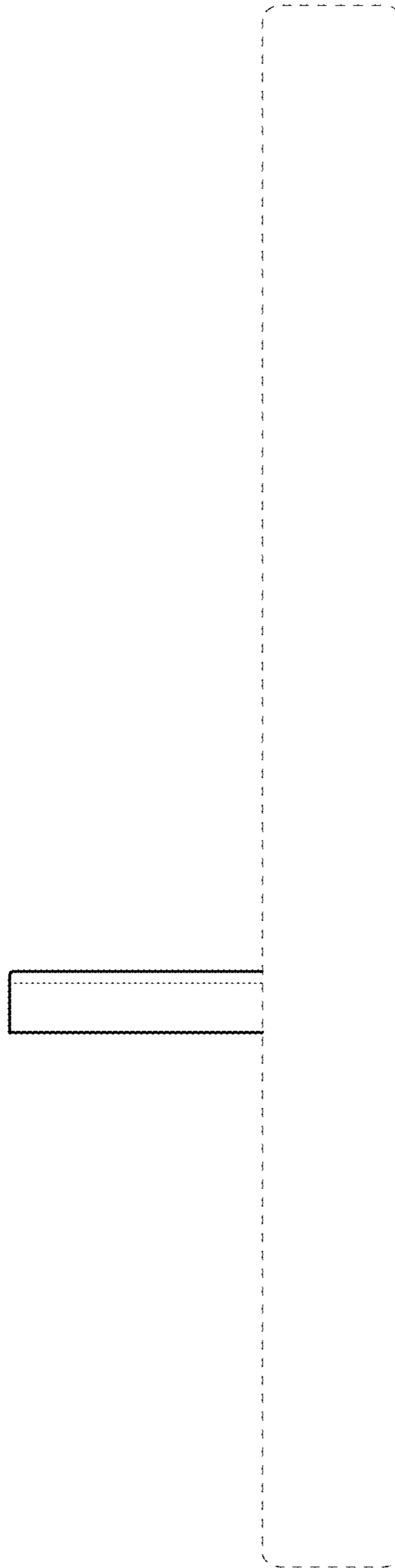


FIG. 5

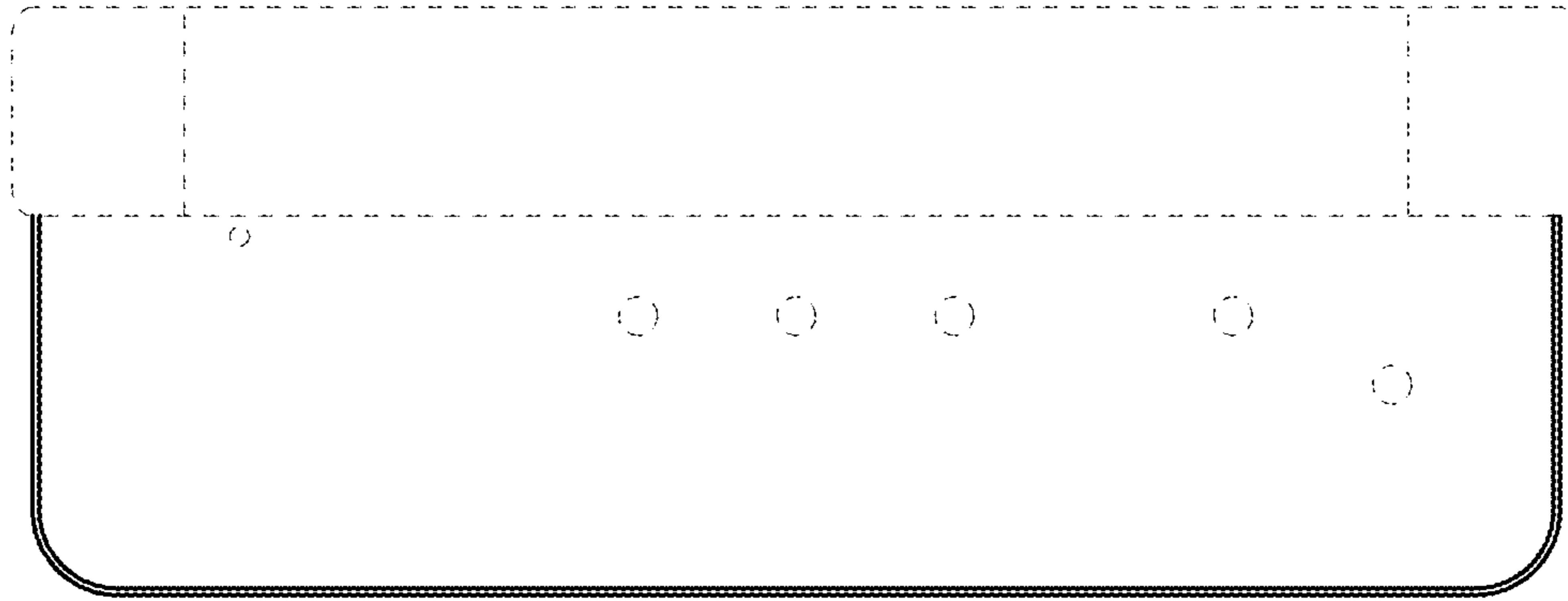


FIG. 6

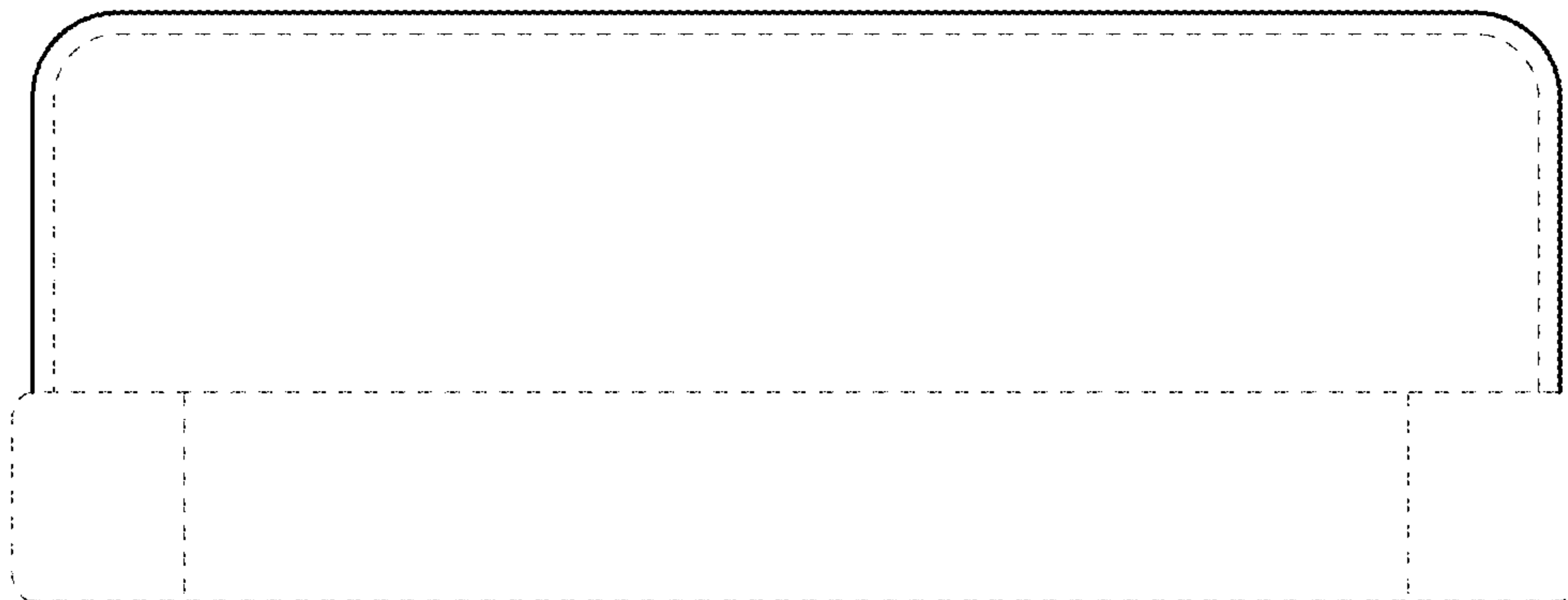


FIG. 7