

US00D960613S

(12) **United States Design Patent**  
**Gady et al.**

(10) **Patent No.:** **US D960,613 S**

(45) **Date of Patent:** **\*\* Aug. 16, 2022**

(54) **RETAIL DISPLAY**

(71) Applicant: **Apple Inc.**, Cupertino, CA (US)

(72) Inventors: **Jean-Marc Gady**, Los Altos, CA (US);  
**Kameron Gad**, San Francisco, CA (US); **Martynas Laurita**, San Jose, CA (US); **Oladapo Onikuyide**, San Francisco, CA (US); **Jake A. Nelson**, Berkeley, CA (US); **Adrian E. Magrina**, San Francisco, CA (US); **Stephen Yustiono**, Sunnyvale, CA (US); **Colin E. Murphy**, Portland, ME (US)

(73) Assignee: **Apple Inc.**, Cupertino, CA (US)

(\*\*) Term: **15 Years**

(21) Appl. No.: **29/762,952**

(22) Filed: **Dec. 18, 2020**

(51) **LOC (13) Cl.** ..... **06-06**

(52) **U.S. Cl.**  
USPC ..... **D6/675**

(58) **Field of Classification Search**  
USPC .... D6/512, 672-673, 675-675.1, 678, 678.1  
CPC ..... A47F 1/04; A47F 5/0006; A47F 5/0018;  
A47F 5/0081; A47F 5/0043; A47B 96/00  
See application file for complete search history.

(56) **References Cited**

**U.S. PATENT DOCUMENTS**

D567,535 S \* 4/2008 Hentschker ..... D6/675  
D641,988 S \* 7/2011 Giroux ..... D6/675  
D737,604 S 9/2015 Bridger et al.

D770,203 S 11/2016 Thaler et al.  
D820,619 S \* 6/2018 Brugger ..... D6/675.1  
D824,894 S 8/2018 Marasco et al.  
D851,428 S \* 6/2019 Brugger ..... D6/675.1  
D887,750 S \* 6/2020 Edwards ..... D6/675.1  
D906,026 S \* 12/2020 Inouye ..... D6/675.1  
D917,936 S \* 5/2021 Brugger ..... D6/675  
D925,256 S \* 7/2021 Gady ..... D6/675  
D930,409 S \* 9/2021 Inouye ..... D6/675.1  
D937,612 S \* 12/2021 Brugger ..... D6/675  
D937,613 S \* 12/2021 Brugger ..... D6/675  
D938,202 S \* 12/2021 Brugger ..... D6/675  
D946,943 S \* 3/2022 Finger ..... D6/678.1

\* cited by examiner

*Primary Examiner* — Kelley A Donnelly

(74) *Attorney, Agent, or Firm* — Sterne, Kessler, Goldstein & Fox P.L.L.C.

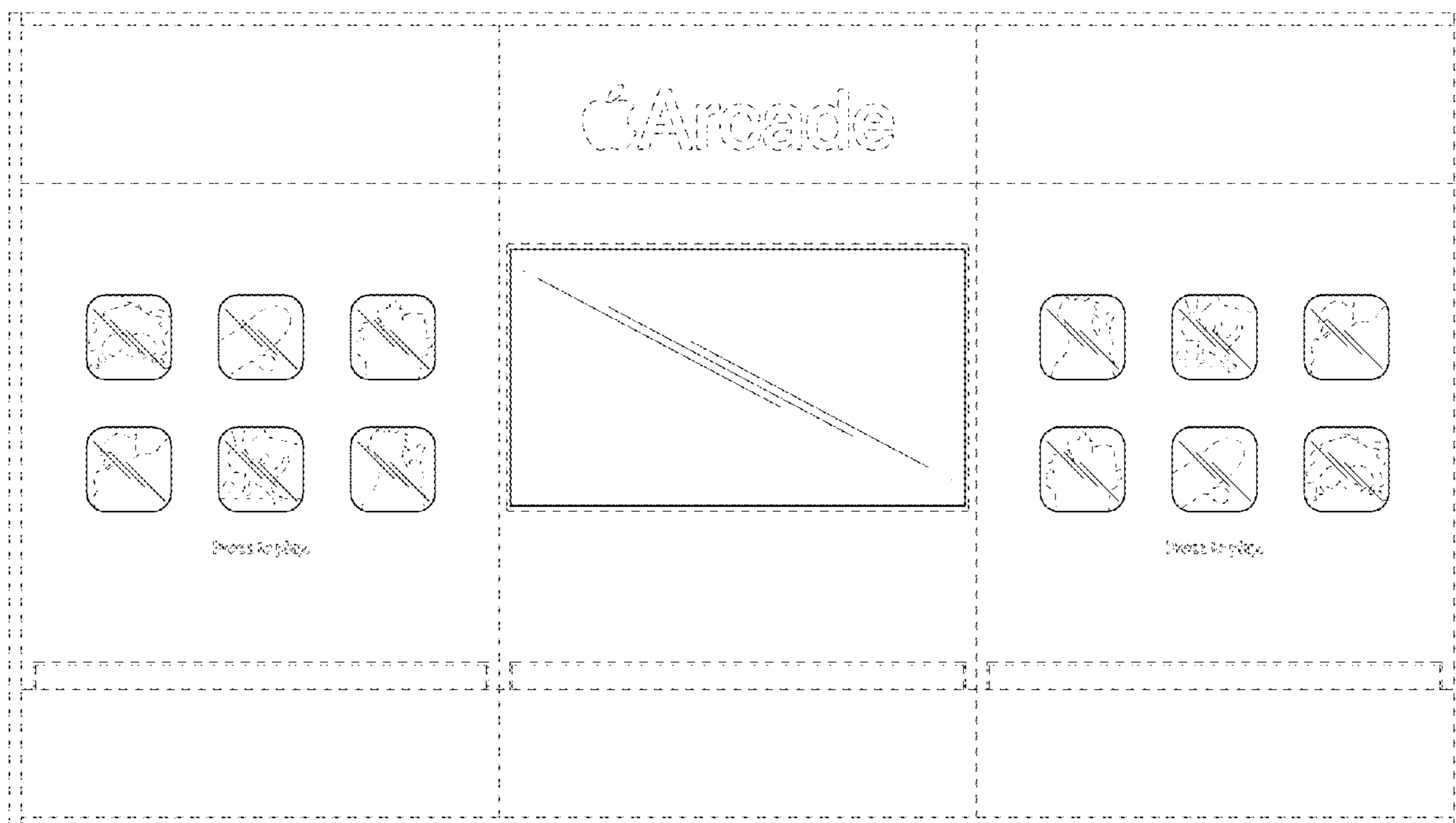
(57) **CLAIM**

The ornamental design for a retail display, as shown and described.

**DESCRIPTION**

FIG. 1 is a front view of a retail display showing the claimed design;  
FIG. 2 is a top front perspective view thereof;  
FIG. 3 is a bottom front perspective view thereof;  
FIG. 4 is a front view of a retail display showing the claimed design;  
FIG. 5 is a top front perspective view thereof; and,  
FIG. 6 is a bottom front perspective view thereof.  
The dashed broken lines in the figures show portions of the retail display or environment that form no part of the claimed design.

**1 Claim, 6 Drawing Sheets**



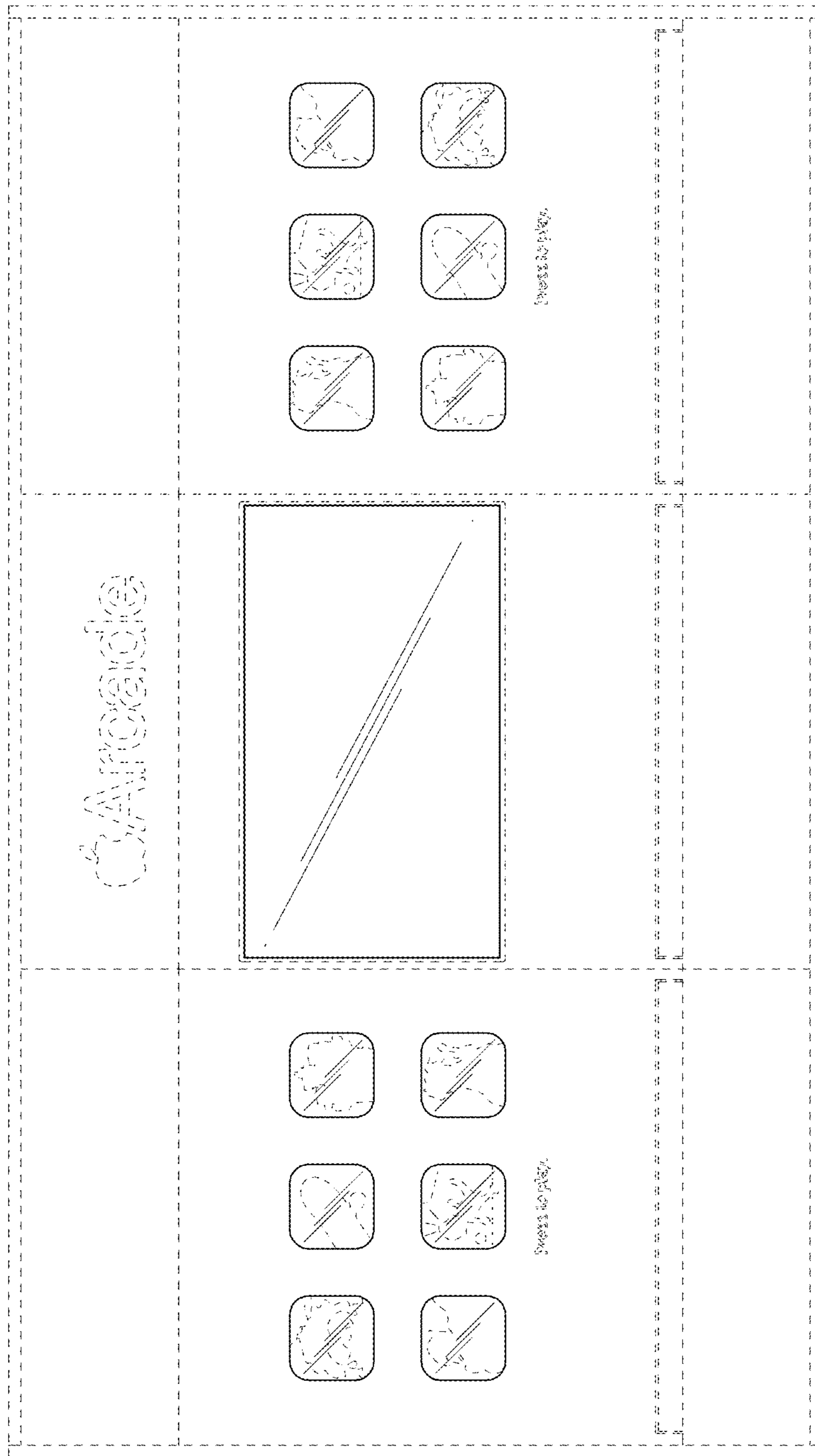


FIG. 1

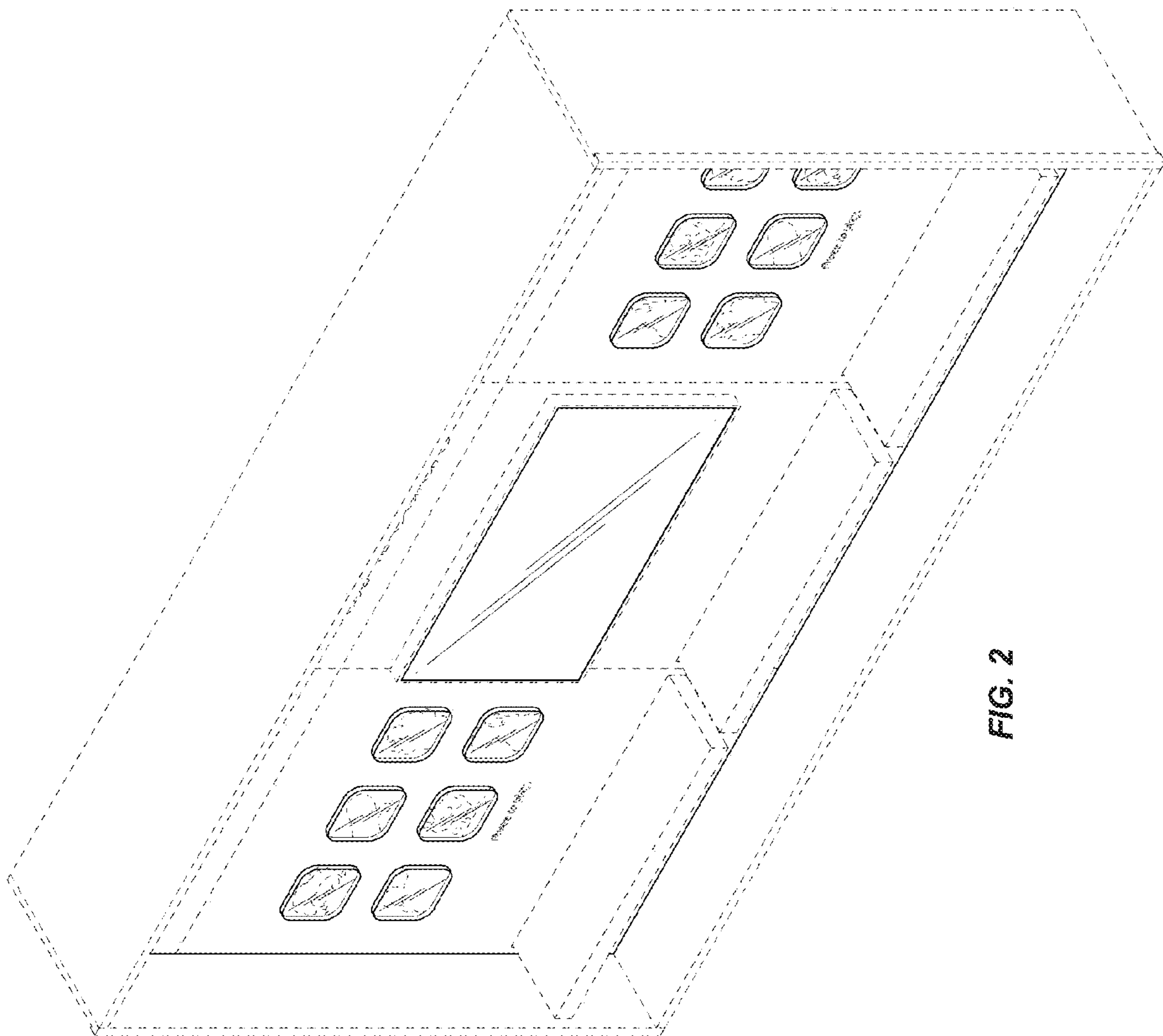


FIG. 2

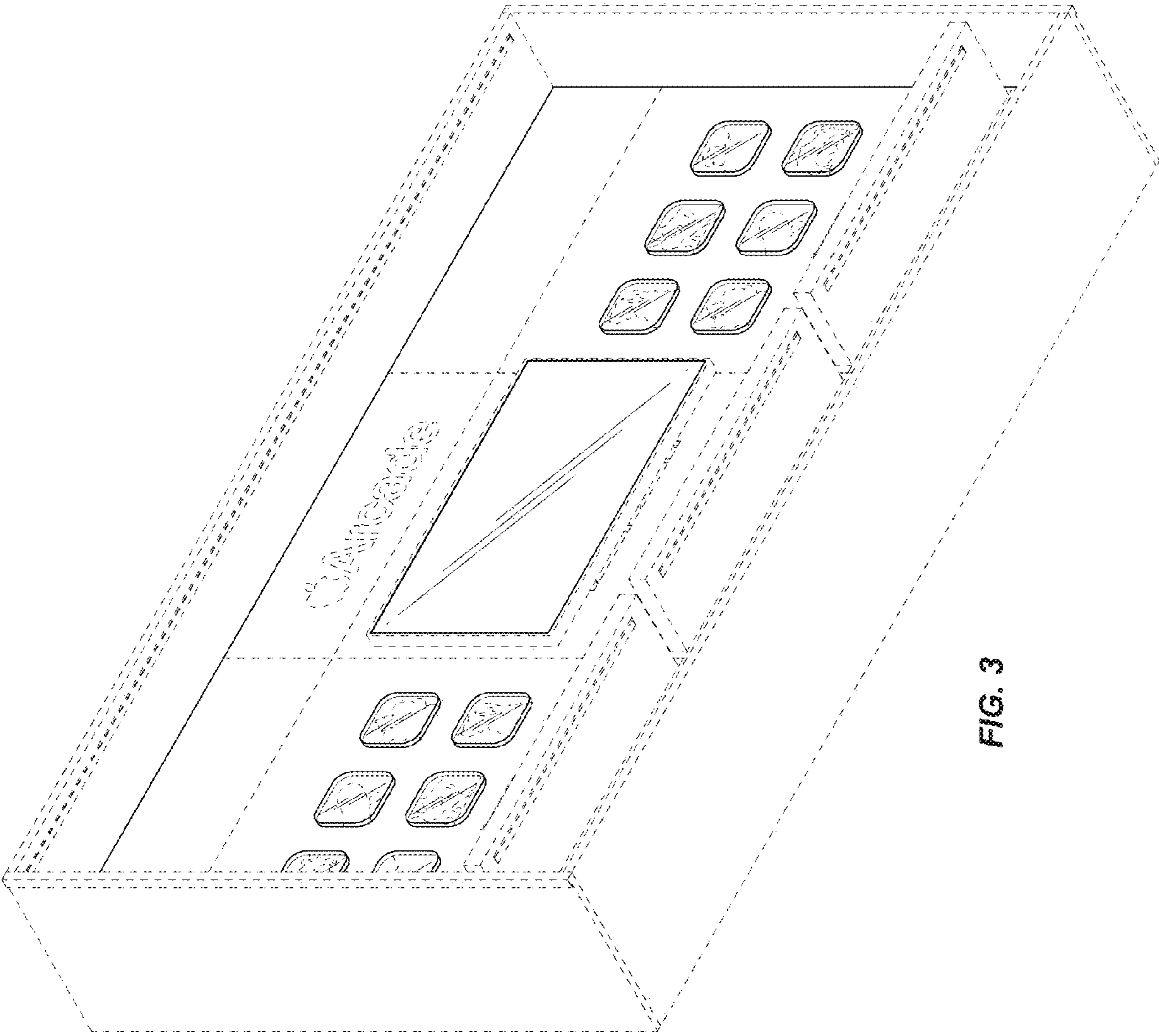


FIG. 3

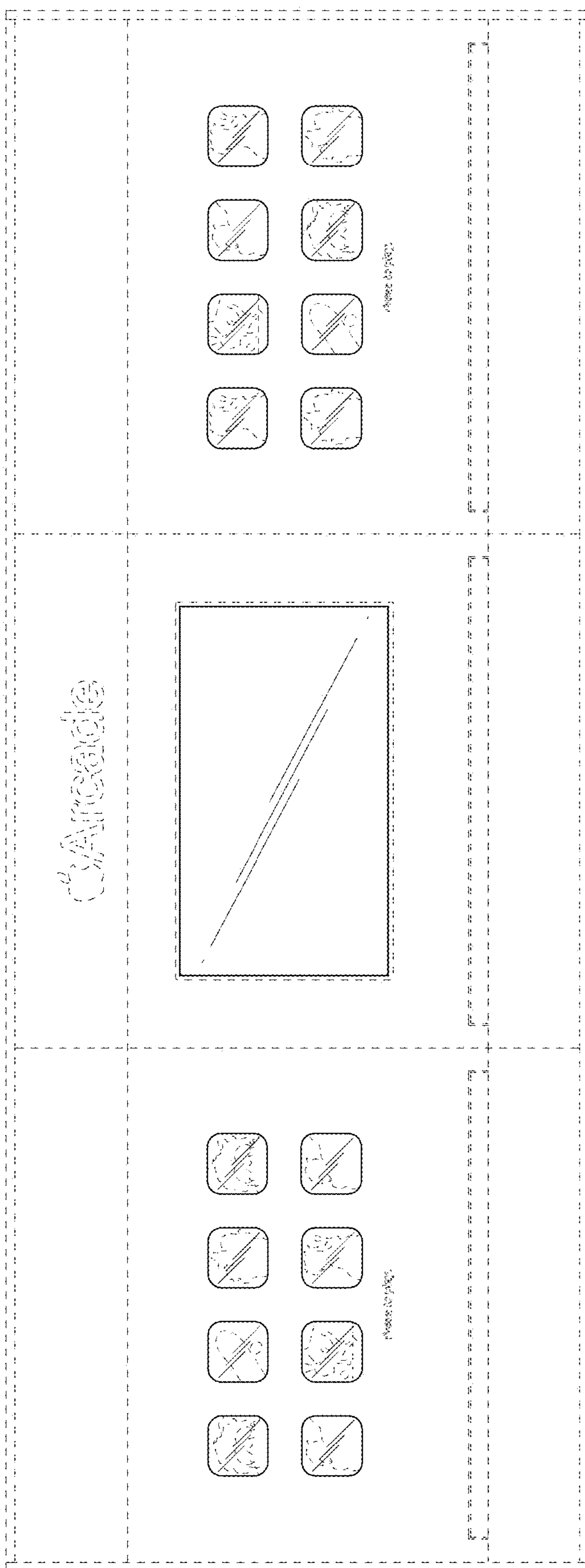


FIG. 4

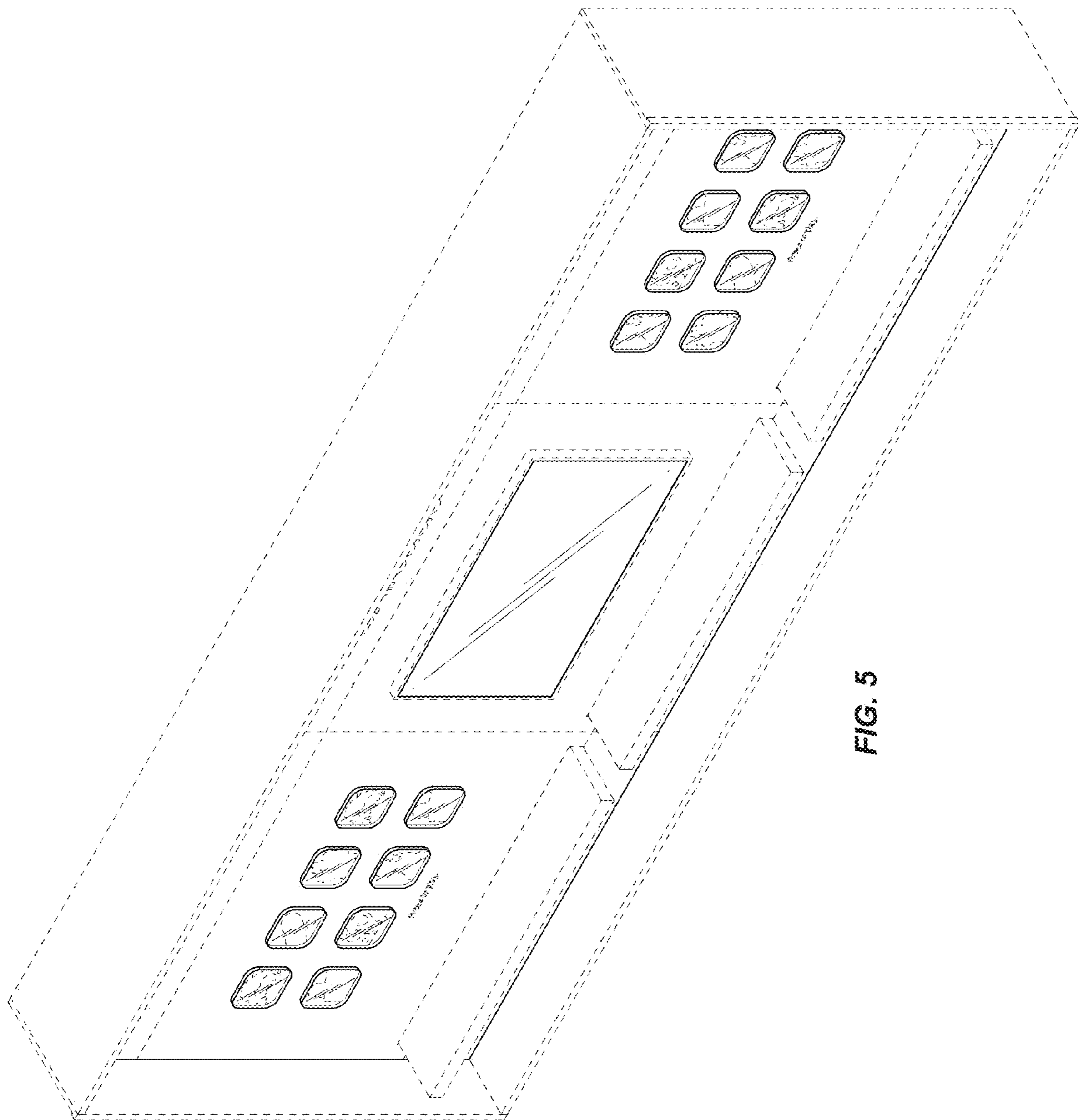


FIG. 5

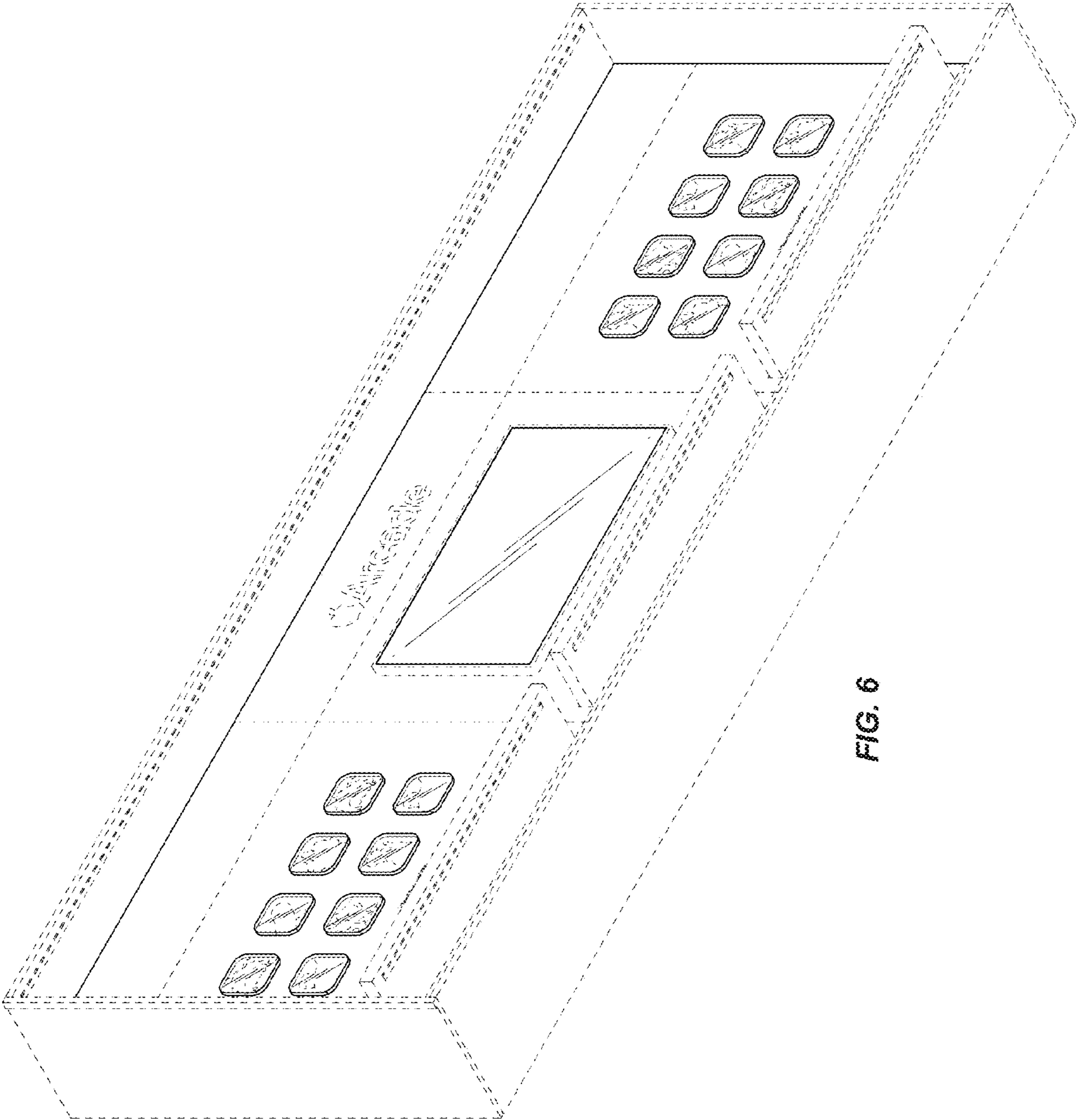


FIG. 6