



US00D960612S

(12) **United States Design Patent**  
**Iwasaki**

(10) **Patent No.:** **US D960,612 S**  
(45) **Date of Patent:** **\*\* Aug. 16, 2022**

- (54) **DESK**
- (71) Applicant: **Lakeshore Learning Materials, LLC,**  
Carson, CA (US)
- (72) Inventor: **Kirk Iwasaki,** Cypress, CA (US)
- (73) Assignee: **Lakeshore Learning Materials, LLC,**  
Carson, CA (US)

- D694,044 S \* 11/2013 Copeland ..... D6/656.15
- D737,602 S \* 9/2015 Riley ..... D6/655.21
- 9,149,111 B1 \* 10/2015 Lin ..... A47B 19/06
- D743,718 S \* 11/2015 Tempas ..... D6/655.21
- D770,814 S \* 11/2016 Davidson ..... D6/656.15
- D774,322 S \* 12/2016 Schmauch ..... D6/406.5
- D784,049 S \* 4/2017 Labrosse ..... D6/650
- D850,175 S \* 6/2019 Lin ..... D6/709
- D850,176 S \* 6/2019 Lin ..... D6/710

(Continued)

(\*\*) Term: **15 Years**

(21) Appl. No.: **29/722,766**

(22) Filed: **Jan. 31, 2020**

(51) **LOC (13) Cl.** ..... **06-03**

(52) **U.S. Cl.**  
USPC ..... **D6/656.16**

(58) **Field of Classification Search**  
 USPC ..... D6/656.16, 656.13, 656.1, 655.11, 656,  
 D6/656.18, 656.17, 655.21, 642, 647  
 CPC ... A47B 23/00; A47B 23/04; A47B 2023/049;  
 A47B 9/00; A47B 9/04; A47B 9/06;  
 A47B 3/08; A47B 21/00; A47B 21/02;  
 A47B 21/007; A47B 1/08; A47B 7/00;  
 A47B 13/10; A47B 21/0314; A47B  
 2009/185; A47B 2200/0013; A47B  
 2200/0026; A47B 2200/0085; A47B  
 2200/0087

See application file for complete search history.

(56) **References Cited**

**U.S. PATENT DOCUMENTS**

- D308,922 S \* 7/1990 Ng ..... D6/655.14
- D376,931 S \* 12/1996 Fewchuk ..... D6/655.21
- 5,622,119 A \* 4/1997 Hsieh ..... A47B 3/00  
108/115
- D612,169 S \* 3/2010 Chang ..... D6/656.13
- D638,637 S \* 5/2011 Foley ..... D6/681.2
- D641,997 S \* 7/2011 Phillips ..... D6/656.13
- D649,369 S \* 11/2011 Benden ..... D6/338
- D683,980 S \* 6/2013 Johnson ..... D6/406.3

**OTHER PUBLICATIONS**

Pink Height Adjustable Children's Desk by VIVO Store, first available: Oct. 29, 2015. Amazon.com [online], [site visited Mar. 30, 2022], Internet URL: [https://www.amazon.com/VIVO-Height-Adjustable-Childrens-Chair/dp/B017J3PE6K/ref=sr\\_1\\_1\\_sspa?th=1](https://www.amazon.com/VIVO-Height-Adjustable-Childrens-Chair/dp/B017J3PE6K/ref=sr_1_1_sspa?th=1) (Year: 2015).\*

(Continued)

*Primary Examiner* — Steven J Czyz  
*Assistant Examiner* — Hillary Catherine Shepard  
(74) *Attorney, Agent, or Firm* — Banner & Witcoff, Ltd.

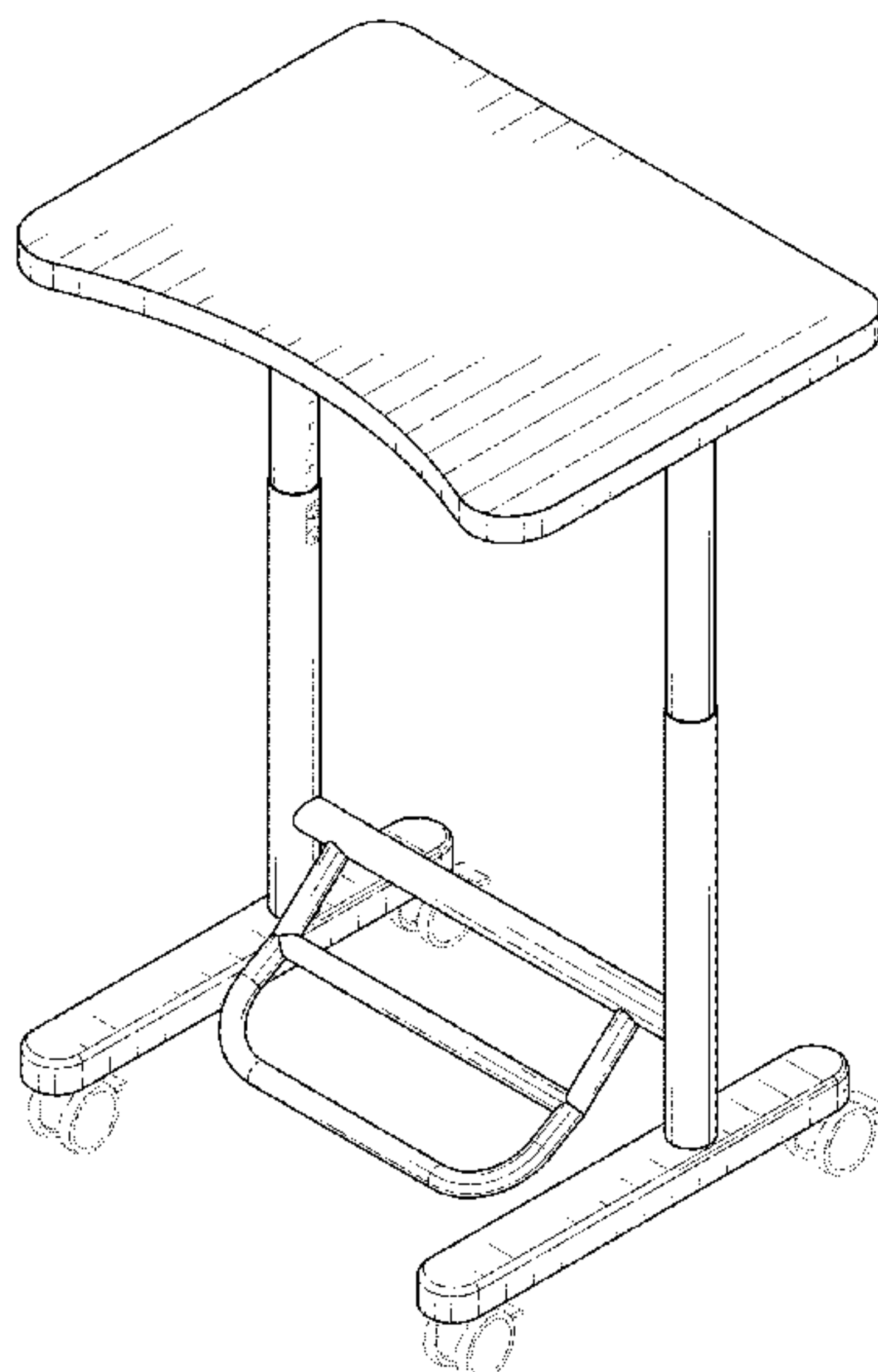
(57) **CLAIM**

The ornamental design for a desk, as shown and described.

**DESCRIPTION**

FIG. 1 is a top, front, right perspective view of a desk showing my new design;  
FIG. 2 is a front view thereof;  
FIG. 3 is a rear view thereof;  
FIG. 4 is a left side view thereof;  
FIG. 5 is a right side view thereof;  
FIG. 6 is a top view thereof; and,  
FIG. 7 is a bottom, front, right perspective view thereof.  
The broken lines showing the circular unshaded regions within the shaded area represent screw holes that form no part of the claimed design. The broken lines depicting the remainder of the table form no part of the claimed design.

**1 Claim, 7 Drawing Sheets**



(56)

**References Cited**

U.S. PATENT DOCUMENTS

D850,833	S	*	6/2019	Gevaert	.....	D6/700
D851,972	S	*	6/2019	Reyes	.....	D6/707.17
D867,784	S	*	11/2019	Stanton	.....	D6/406.3
D874,859	S	*	2/2020	Reyes	.....	D6/707.17
2019/0150609	A1	*	5/2019	Salehi	.....	A47B 21/02

OTHER PUBLICATIONS

Flex-Space Mobile Standing Desk by Lakeshore, first available: Unknown. lakeshorelearning.com [online], [site visited Mar. 30, 2022], Internet URL: <https://www.lakeshorelearning.com/products/classroom-furniture/tables-desks/flex-space-mobile-standing-desk-modern-maple/p/LK571> (Year: 2022).\*

28" Student Desk by Safco AlphaBetter, first available: May 4, 2021. Staples.com [online], [site visited: Mar. 30, 2022], internet URL: [https://www.staples.com/safco-alphabeter-28-student-desk-pebble-gray-1221gr/product\\_24488063](https://www.staples.com/safco-alphabeter-28-student-desk-pebble-gray-1221gr/product_24488063) (Year: 2021).\*

“Mobile Standing Desk on Wheels”; standupworkstyle; retrieved Jan. 31, 2020; disclosure date unknown but prior to the filing date of the present application; URL: <http://www.standupworkstyle.com/standing-desk/mobile-standing-desk-on-wheels/>.

“KidsFit Kinesthetic Classroom ABC Standing Desk with Footrest Bar”; Rehabmart; retrieved Jan. 31, 2020; disclosure date unknown but prior to the filing date of the present application; URL: <https://www.rehabmart.com/product/kidsfit-kinesthetic-classroom-abc-standing-desk-with-footrest-bar-47453.html>.

“STAND2LEARN™ Desk for Two 5-12”; Varidesk; retrieved Jan. 31, 2020; disclosure date unknown but prior to the filing date of the present application; URL: <https://www.varidesk.com/products/student-standing-desk-two-5-12>.

“STAND2LEARN™ Desk K-5”; Varidesk; retrieved Jan. 31, 2020; disclosure date unknown but prior to the filing date of the present application; URL: <https://www.varidesk.com/products/student-standing-desk-k-5>.

“Smartstudy Adjustable Standing Desks”; Moving Minds; retrieved Jan. 31, 2020; disclosure date unknown but prior to the filing date of the present application; URL: <https://www.moving-minds.com/classroom/desks/smartstudy-adjustable-standing-desks>.

\* cited by examiner

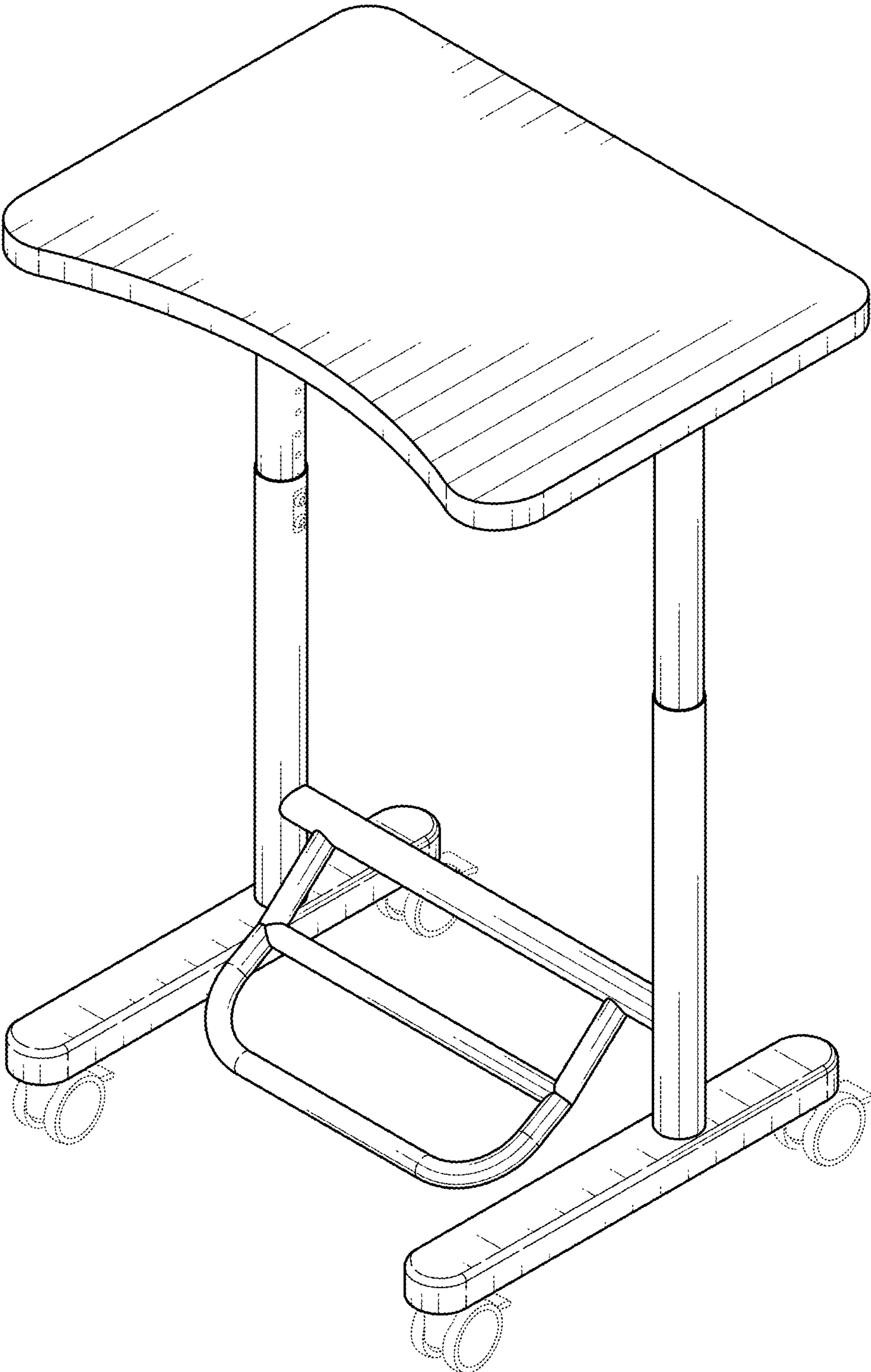


FIG. 1

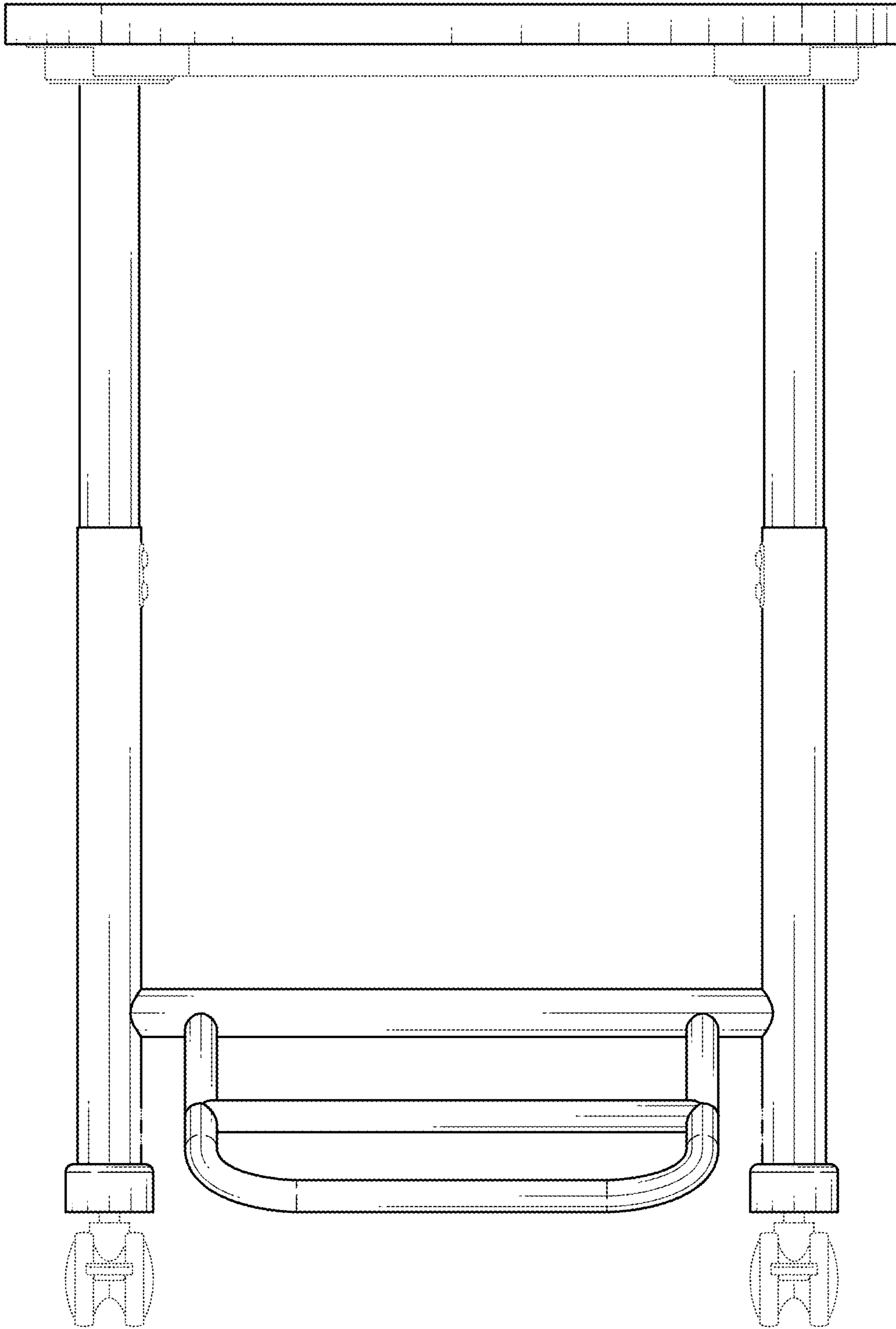


FIG. 2



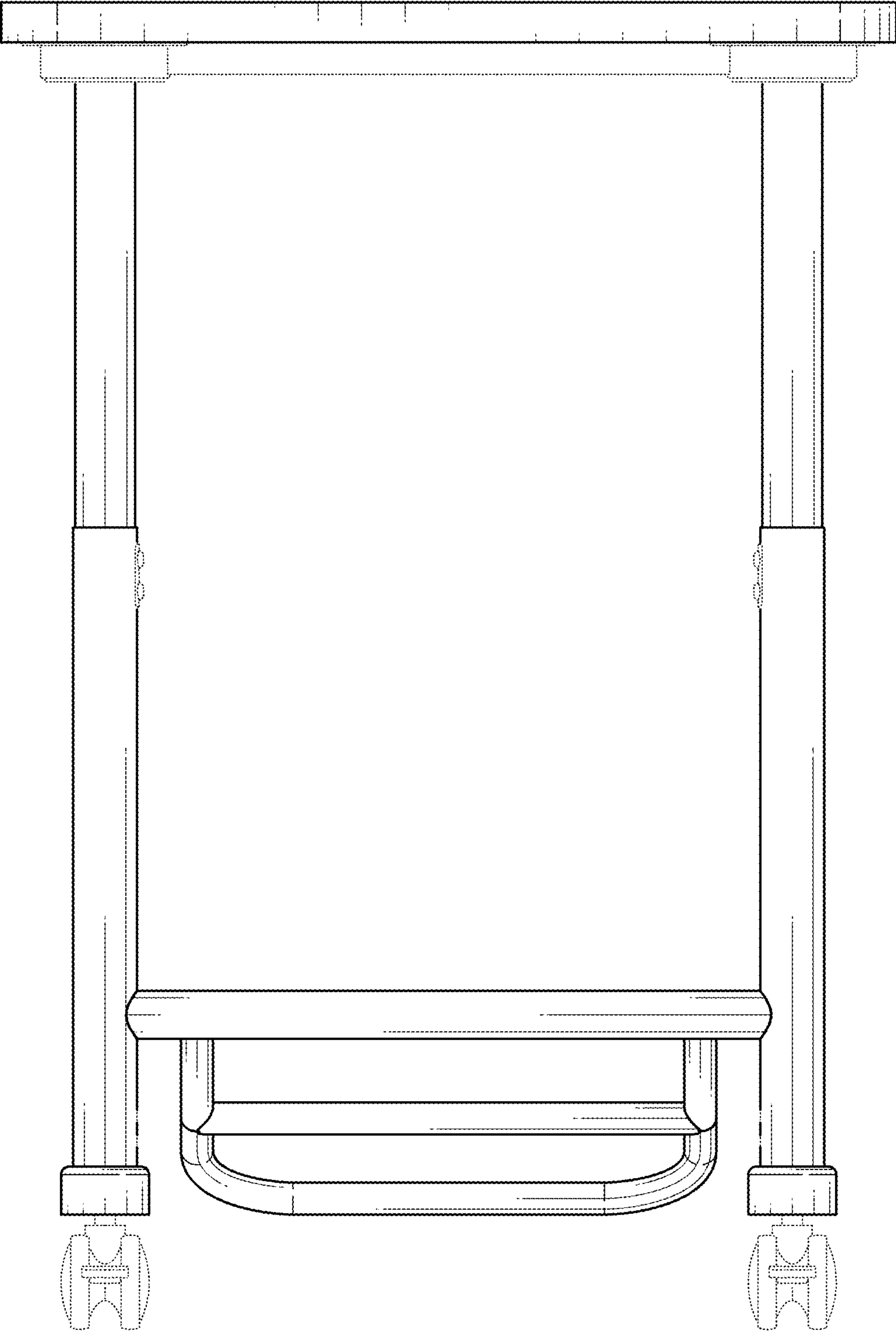


FIG. 3

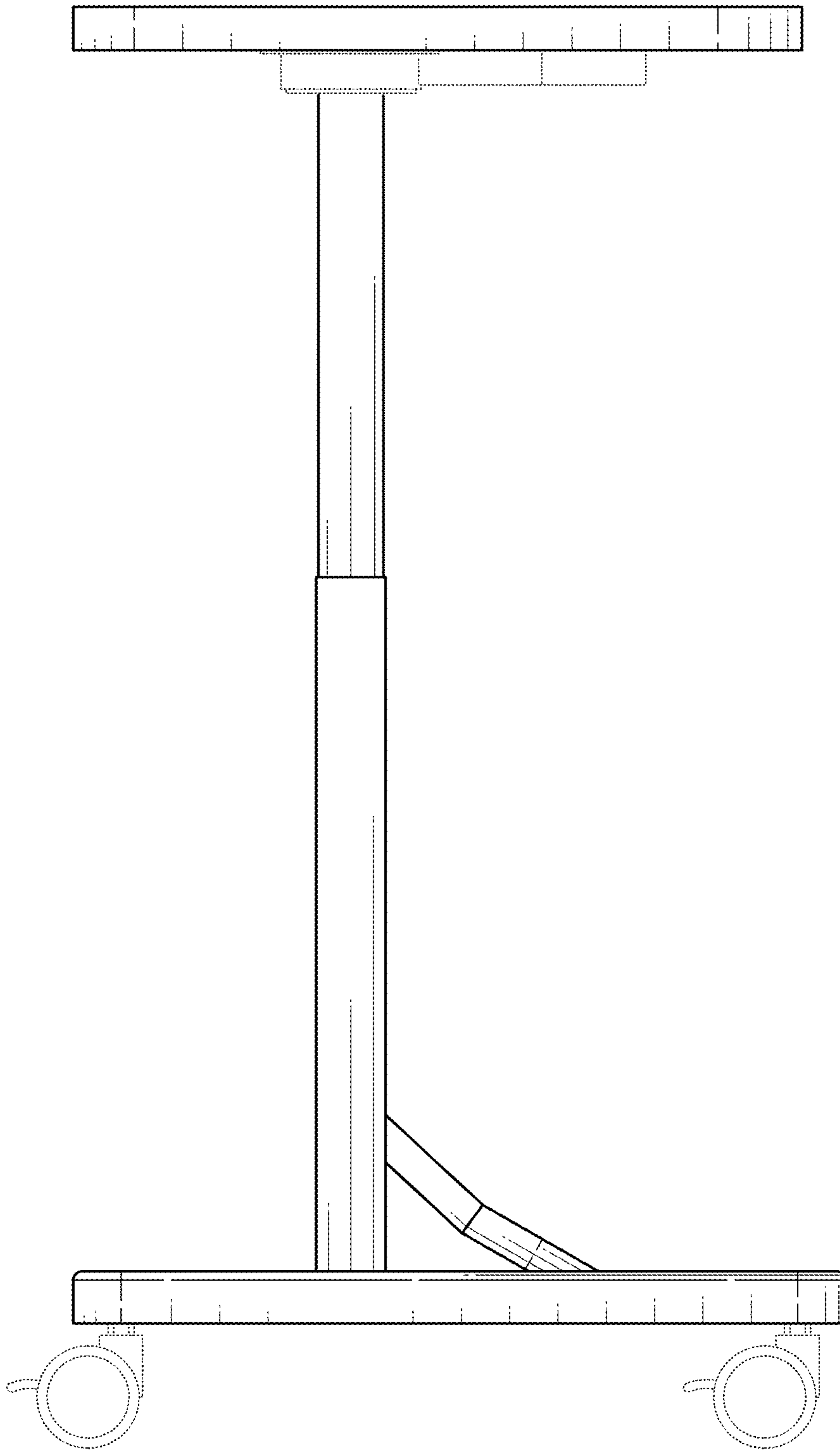


FIG. 4

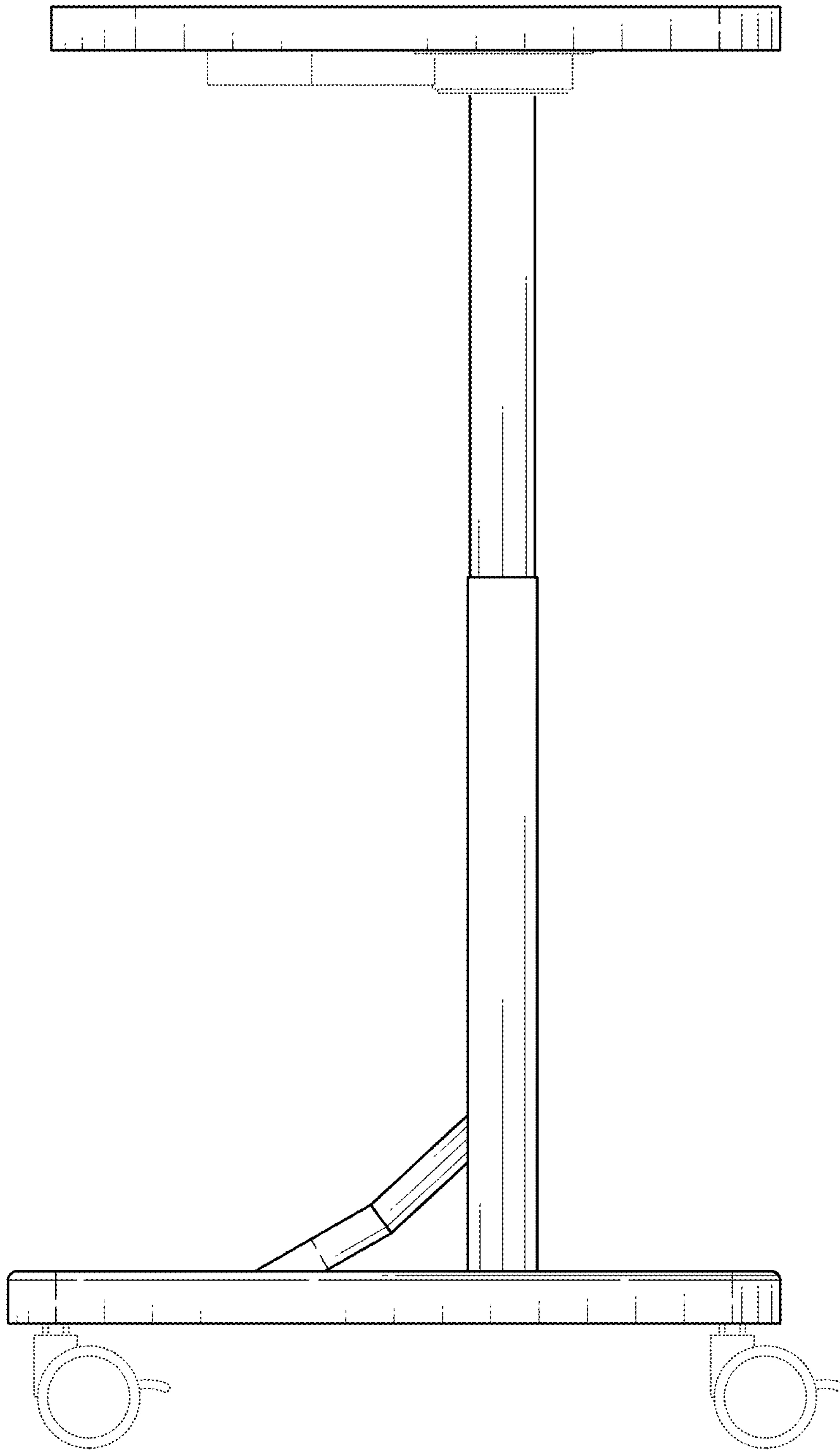


FIG. 5

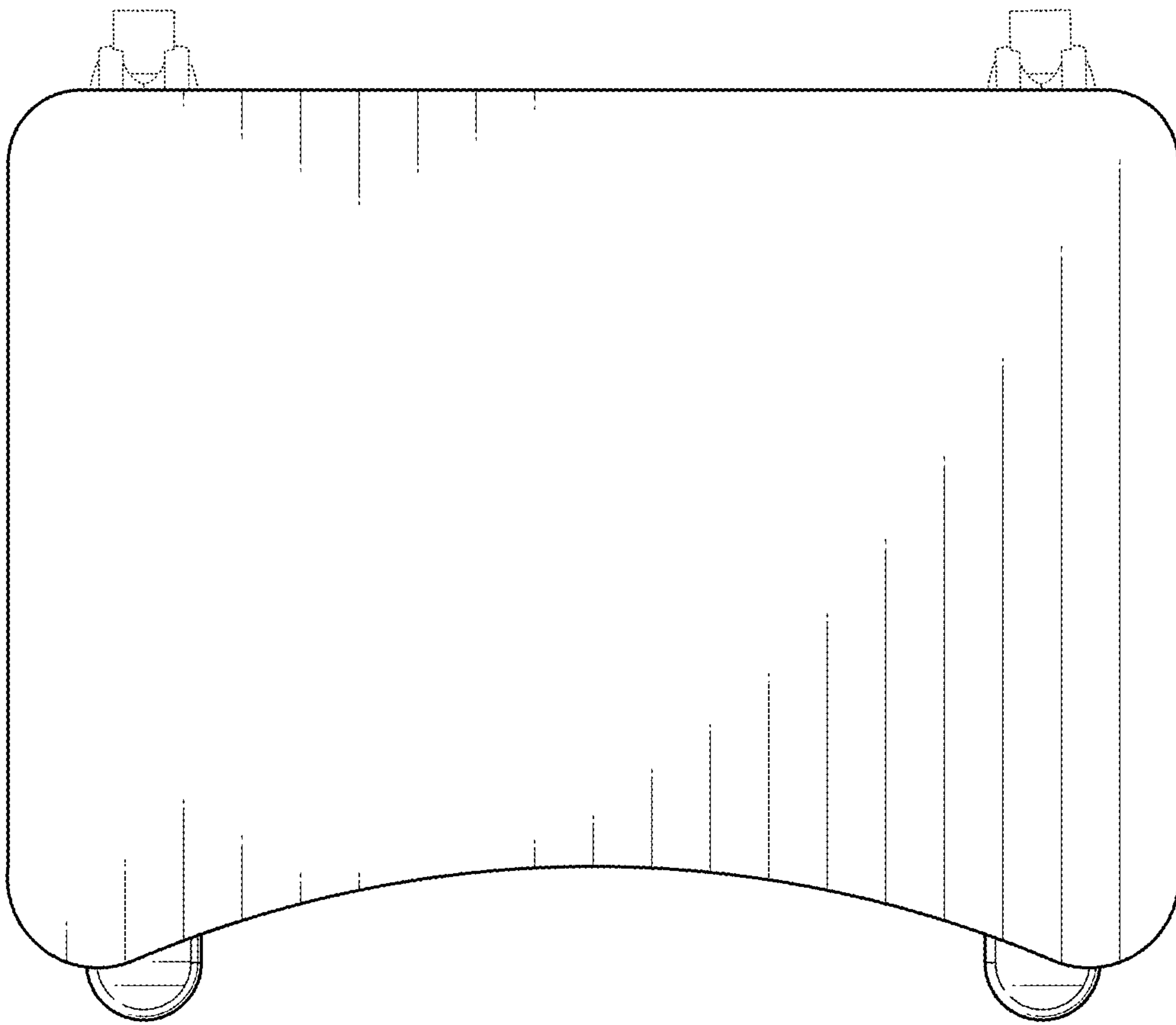


FIG. 6



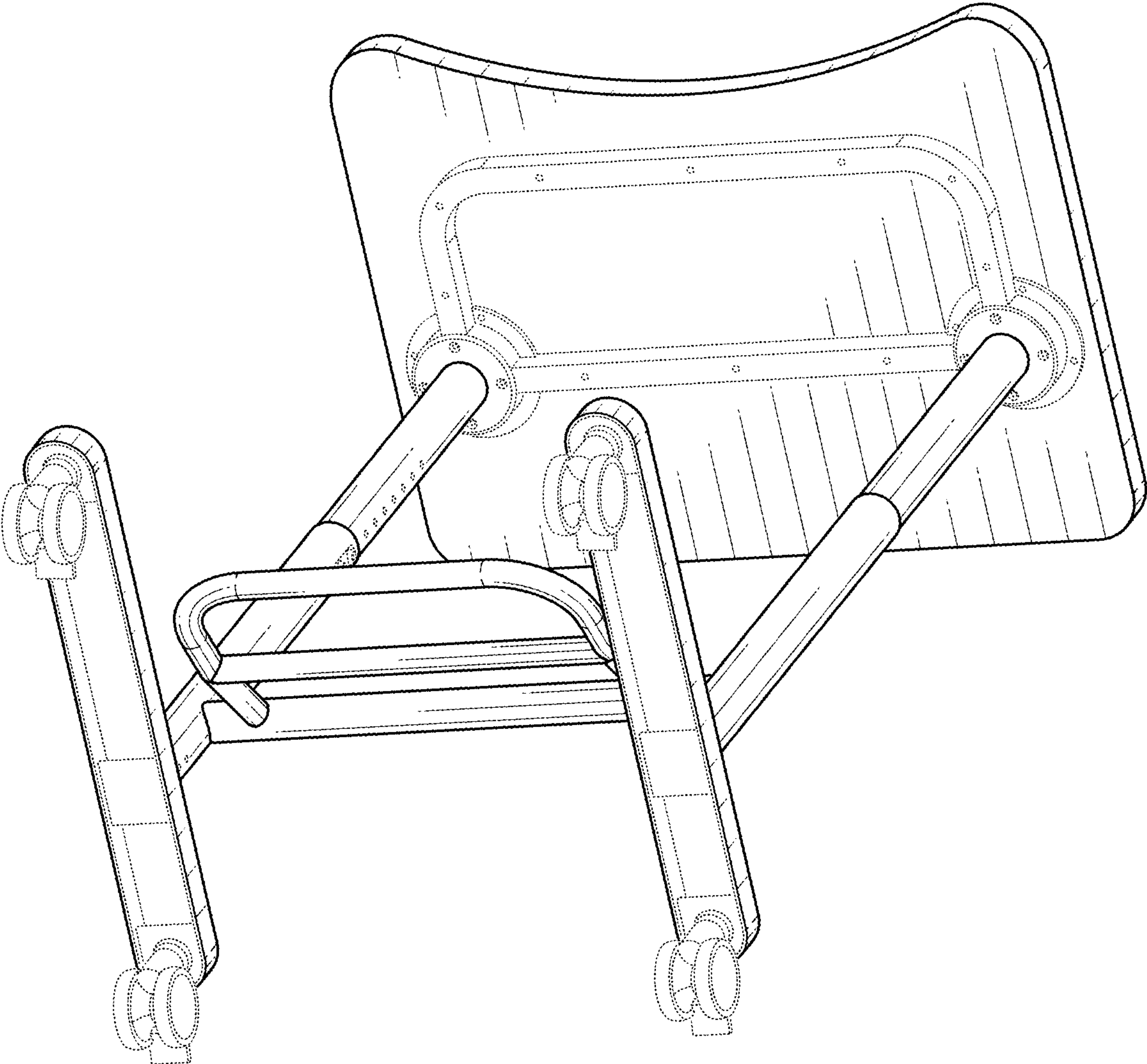


FIG. 7