

US00D960611S

(12) **United States Design Patent**
Iwasaki

(10) **Patent No.:** **US D960,611 S**

(45) **Date of Patent:** **** Aug. 16, 2022**

(54) **DESK**

(71) Applicant: **Lakeshore Equipment Company,**
Carson, CA (US)

(72) Inventor: **Kirk Iwasaki,** Cypress, CA (US)

(73) Assignee: **Lakeshore Learning Materials, LLC,**
Carson, CA (US)

(**) Term: **15 Years**

(21) Appl. No.: **29/722,778**

(22) Filed: **Jan. 31, 2020**

(51) **LOC (13) Cl.** **06-03**

(52) **U.S. Cl.**
USPC **D6/656.13**

(58) **Field of Classification Search**
USPC D6/656.16, 656.13, 656.1, 655.11, 656,
D6/656.18, 656.17, 655.21, 642, 647
CPC ... A47B 23/00; A47B 23/04; A47B 2023/049;
A47B 9/00; A47B 9/04; A47B 9/06;
A47B 3/08; A47B 21/00; A47B 21/02;
A47B 21/007; A47B 1/08; A47B 7/00;
A47B 13/10; A47B 21/0314; A47B
2009/185; A47B 2200/0013; A47B
2200/0026; A47B 2200/0085; A47B
2200/0087

See application file for complete search history.

(56) **References Cited**

U.S. PATENT DOCUMENTS

D308,922 S *	7/1990	Ng	D6/655.14
D376,931 S *	12/1996	Fewchuk	D6/655.21
5,622,119 A *	4/1997	Hsieh	A47B 3/00 108/115
D612,169 S *	3/2010	Chang	D6/656.13
D638,637 S *	5/2011	Foley	D6/681.2
D641,997 S *	7/2011	Phillips	D6/656.13
D649,369 S *	11/2011	Benden	D6/338

D683,980 S *	6/2013	Johnson	D6/406.3
D694,044 S *	11/2013	Copeland	D6/656.15
D737,602 S *	9/2015	Riley	D6/655.21
9,149,111 B1 *	10/2015	Lin	A47B 19/06

(Continued)

OTHER PUBLICATIONS

Flex Space Mobile Standing Desk by Lakeshore, first available: Unknown. Lakeshorelearning.com [online], [site visited Mar. 30, 2022], Internet URL: <https://www.lakeshorelearning.com/products/classroom-furniture/tables-desks/flex-space-mobile-standing-desk-modern-maple/p/LK571> (Year: 2022).*

(Continued)

Primary Examiner — Steven J Czyz

Assistant Examiner — Hillary Catherine Shepard

(74) *Attorney, Agent, or Firm* — Banner & Witcoff, Ltd.

(57) **CLAIM**

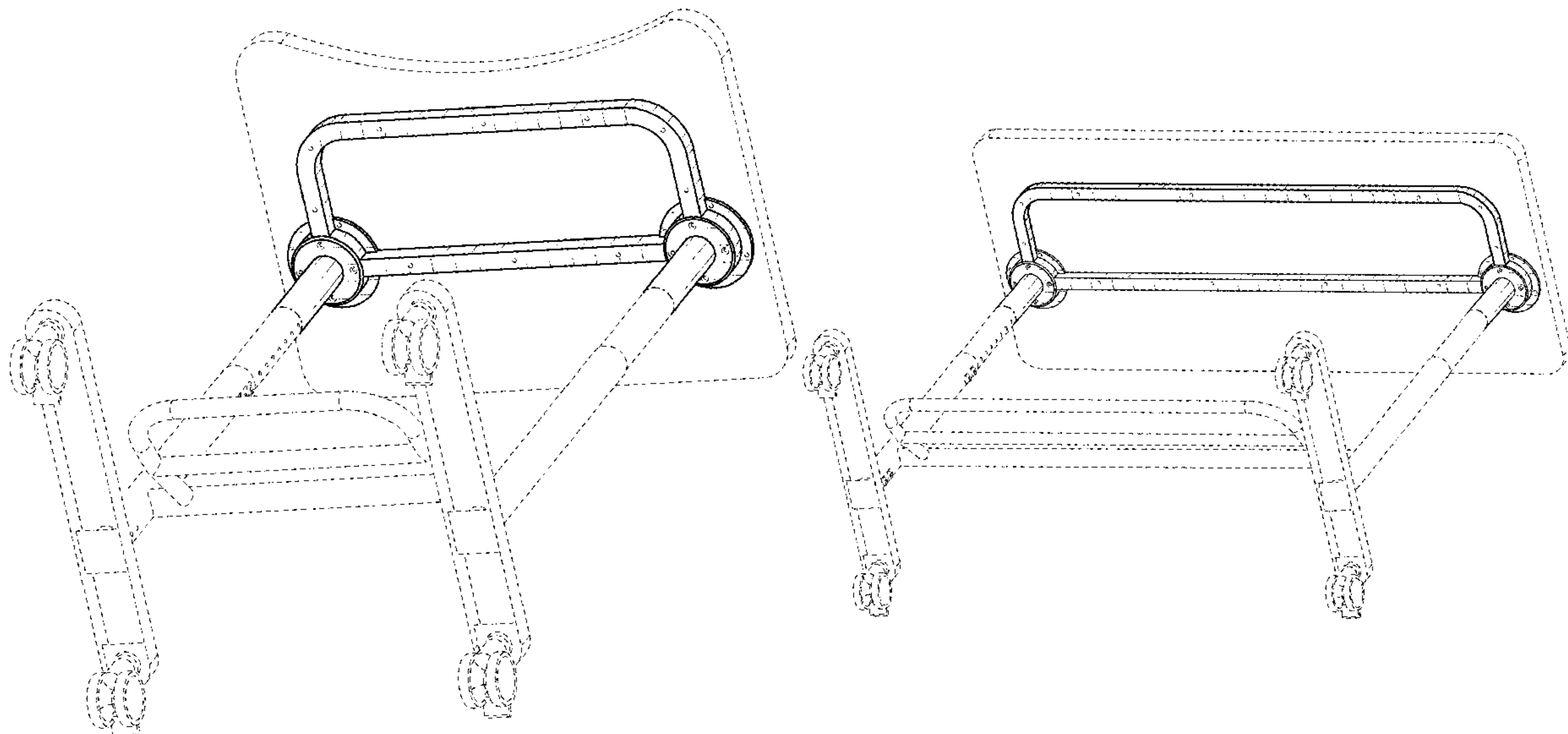
The ornamental design for a desk, as shown and described.

DESCRIPTION

FIG. 1 is a bottom, front, right perspective view of a desk showing my new design;
FIG. 2 is a top, front, right perspective view thereof;
FIG. 3 is a front view thereof;
FIG. 4 is a rear view thereof;
FIG. 5 is a left side view thereof;
FIG. 6 is a right side view thereof;
FIG. 7 is a bottom, front, right perspective view of an alternative embodiment of a desk showing my new design;
FIG. 8 is a top, front, right perspective view thereof;
FIG. 9 is a front view thereof;
FIG. 10 is a rear view thereof;
FIG. 11 is a right side view thereof; and,
FIG. 12 is a left side view thereof.

In the drawings, the evenly-spaced broken lines depict portions of the article that form no part of the claimed design; the dash-dot-dash lines represent the boundary of the claimed design and forms no part thereof.

1 Claim, 11 Drawing Sheets



(56)

References Cited

U.S. PATENT DOCUMENTS

D743,718	S	*	11/2015	Tempas	D6/655.21
D770,814	S	*	11/2016	Davidson	D6/656.15
D774,322	S	*	12/2016	Schmauch	D6/406.5
D784,049	S	*	4/2017	Labrosse	D6/650
D850,175	S	*	6/2019	Lin	D6/709
D850,176	S	*	6/2019	Lin	D6/710
D850,833	S	*	6/2019	Gevaert	D6/700
D851,972	S	*	6/2019	Reyes	D6/707.17
D867,784	S	*	11/2019	Stanton	D6/406.3
D874,859	S	*	2/2020	Reyes	D6/707.17
2019/0150609	A1	*	5/2019	Salehi	A47B 21/02

OTHER PUBLICATIONS

Pink Height Adjustable Children's Desk by VIVO Store, first available: Oct. 29, 2015. Amazon.com [online], [site visited Mar. 30, 2022], Internet URL: https://www.amazon.com/VIVO-Height-Adjustable-Childrens-Chair/dp/B017J3PE6K/ref=sr_1_1_sspa?th=1 (Year: 2015).*

28" Student Desk by Safco AlphaBetter, first available: May 4, 2021. Staples.com [online], [site visited Mar. 30, 2022], Internet

URL: https://www.staples.com/safco-alphabetter-28-student-desk-pebble-gray-1221gr/product_24488063 (Year: 2021).*

"Mobile Standing Desk on Wheels"; standupworkstyle; retrieved Jan. 31, 2020; disclosure date unknown but prior to the filing date of the present application; URL: <http://www.standupworkstyle.com/standing-desk/mobile-standing-desk-on-wheels/>.

"KidsFit Kinesthetic Classroom ABC Standing Desk with Footrest Bar"; Rehabmart; retrieved Jan. 31, 2020; disclosure date unknown but prior to the filing date of the present application; URL: <https://www.rehabmart.com/product/kidsfit-kinesthetic-classroom-abc-standing-desk-with-footrest-bar-47453.html>.

"STAND2LEARN™ Desk for Two 5-12"; VARIDESK; retrieved Jan. 31, 2020; disclosure date unknown but prior to the filing date of the present application; URL: <https://www.varidesk.com/products/student-standing-desk-two-5-12>.

"STAND2LEARN™ Desk K-5"; Varidesk; retrieved Jan. 31, 2020; disclosure date unknown but prior to the filing date of the present application; URL: <https://www.varidesk.com/products/student-standing-desk-k-5>.

"SmartStudy Adjustable Standing Desks"; Moving Minds; retrieved Jan. 31, 2020; disclosure date unknown but prior to the filing date of the present application; URL: <https://www.moving-minds.com/classroom/desks/smartstudy-adjustable-standing-desks>.

* cited by examiner

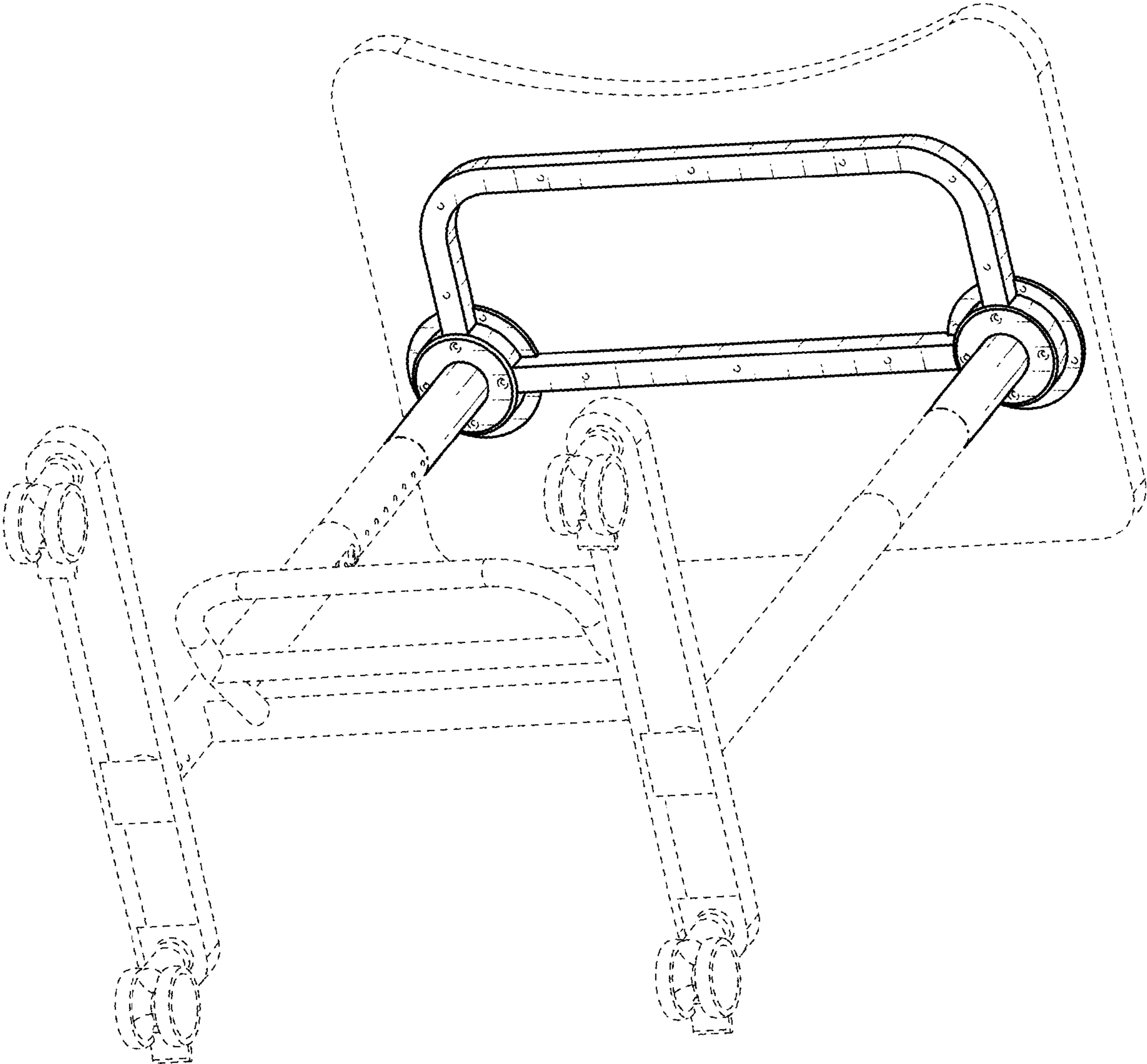


FIG. 1

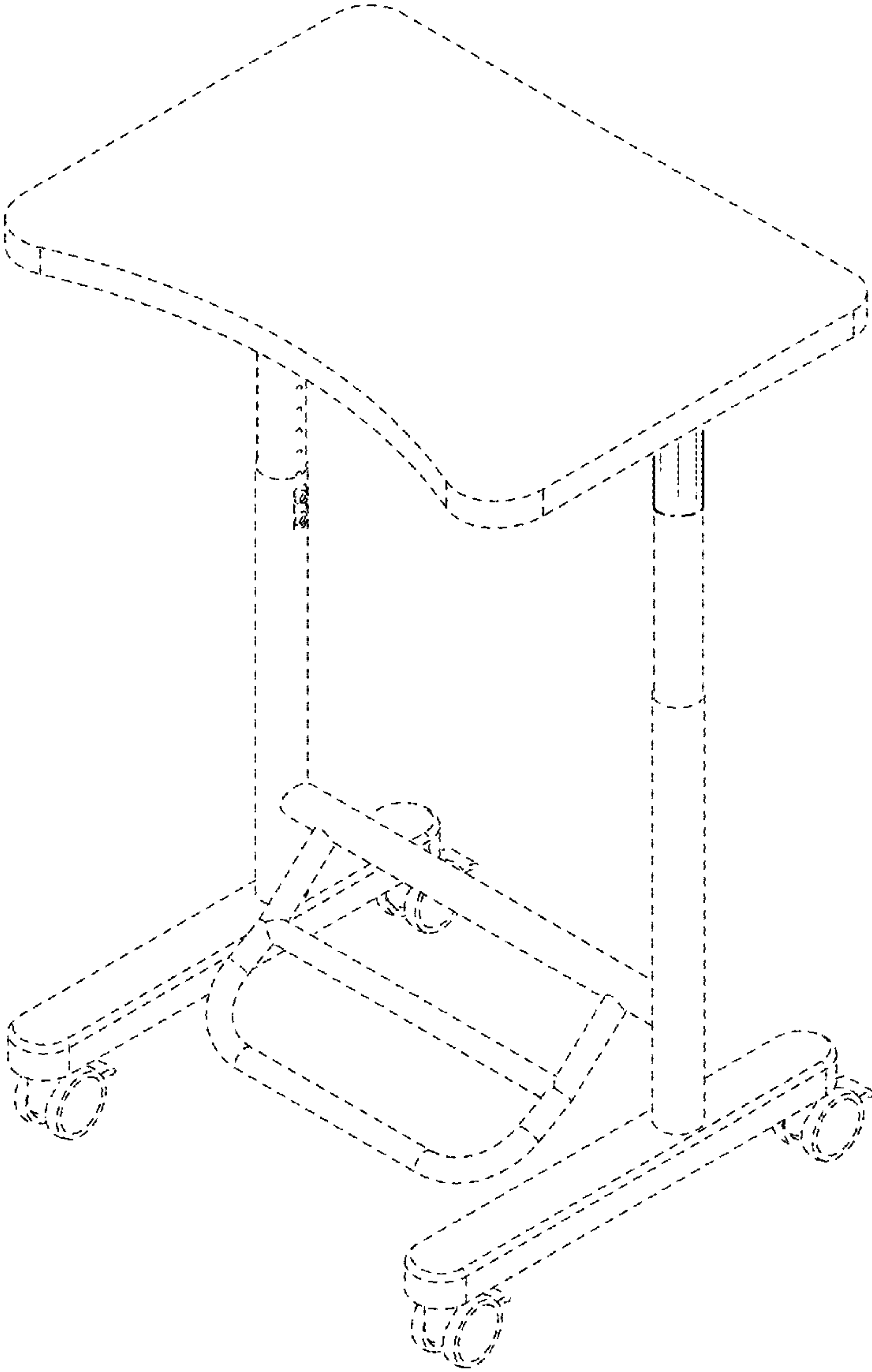


FIG. 2

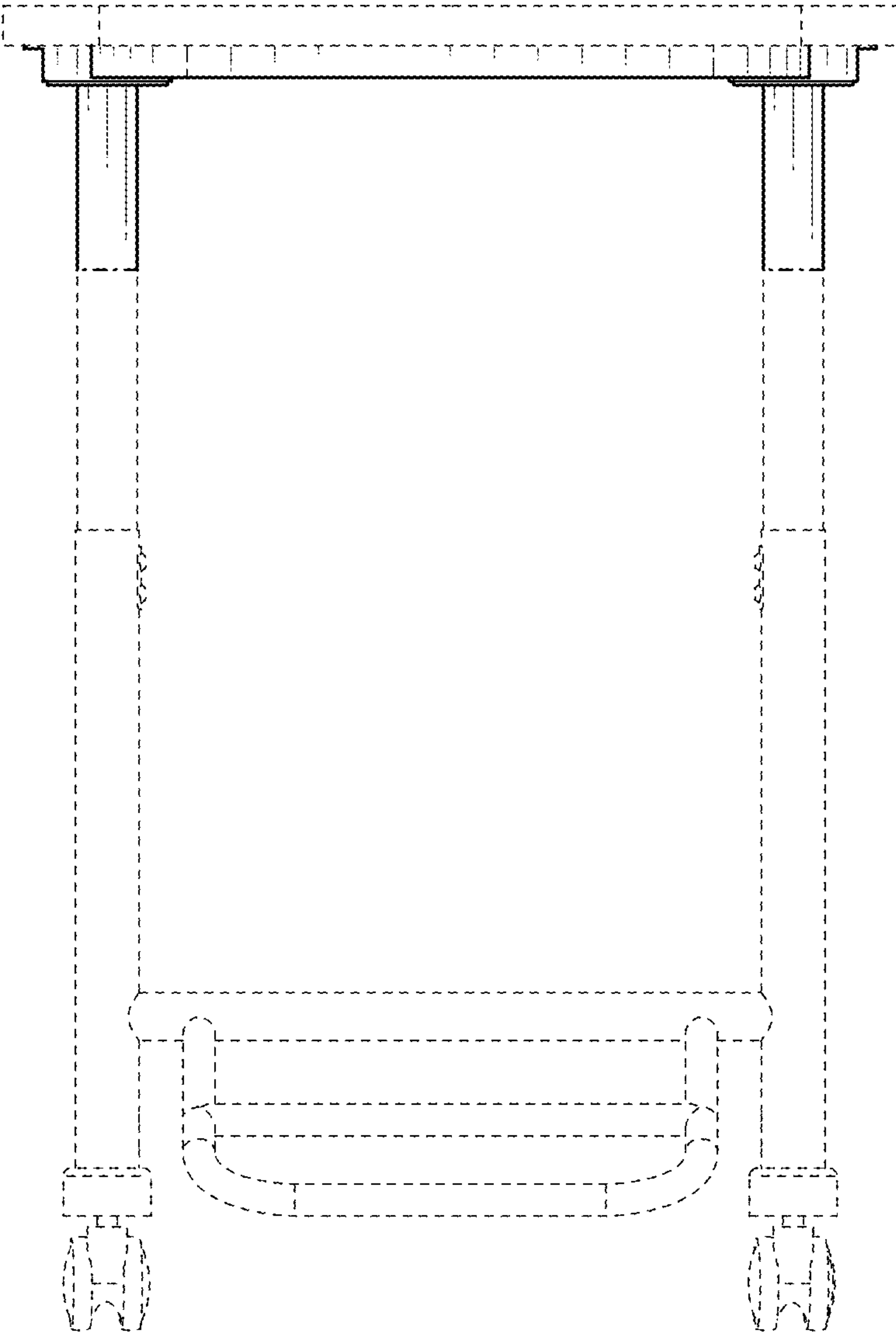


FIG. 3

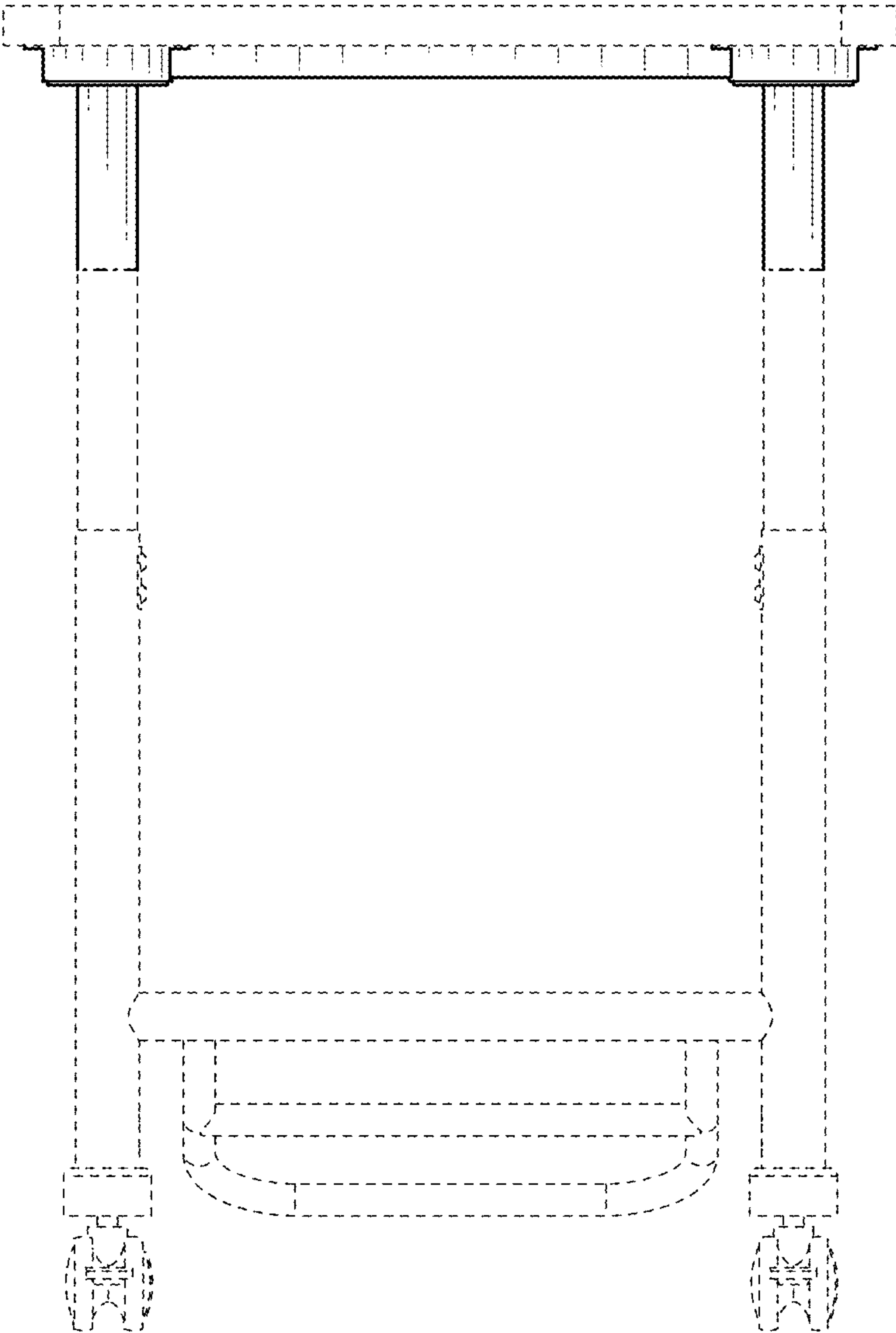


FIG. 4

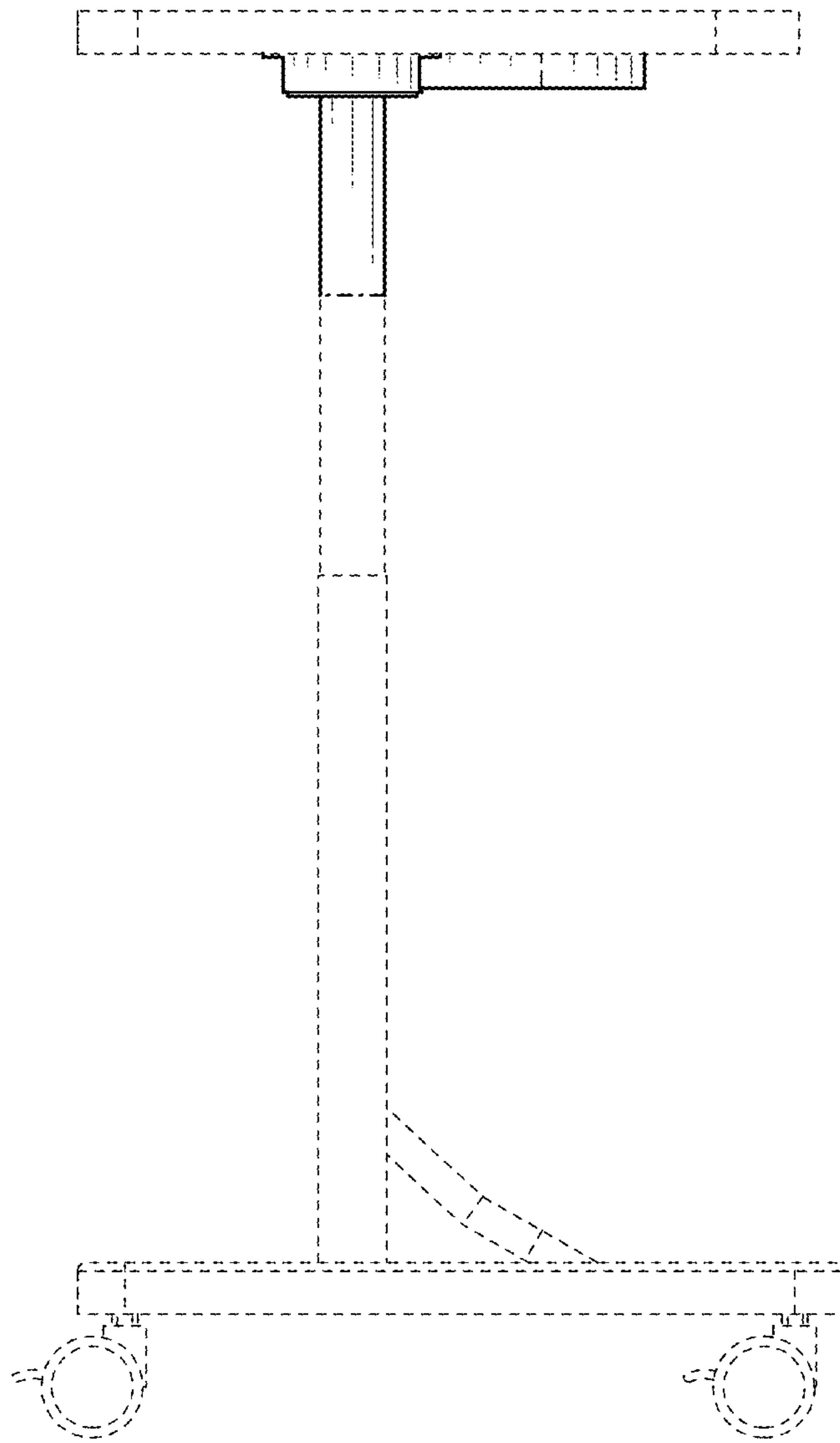


FIG. 5

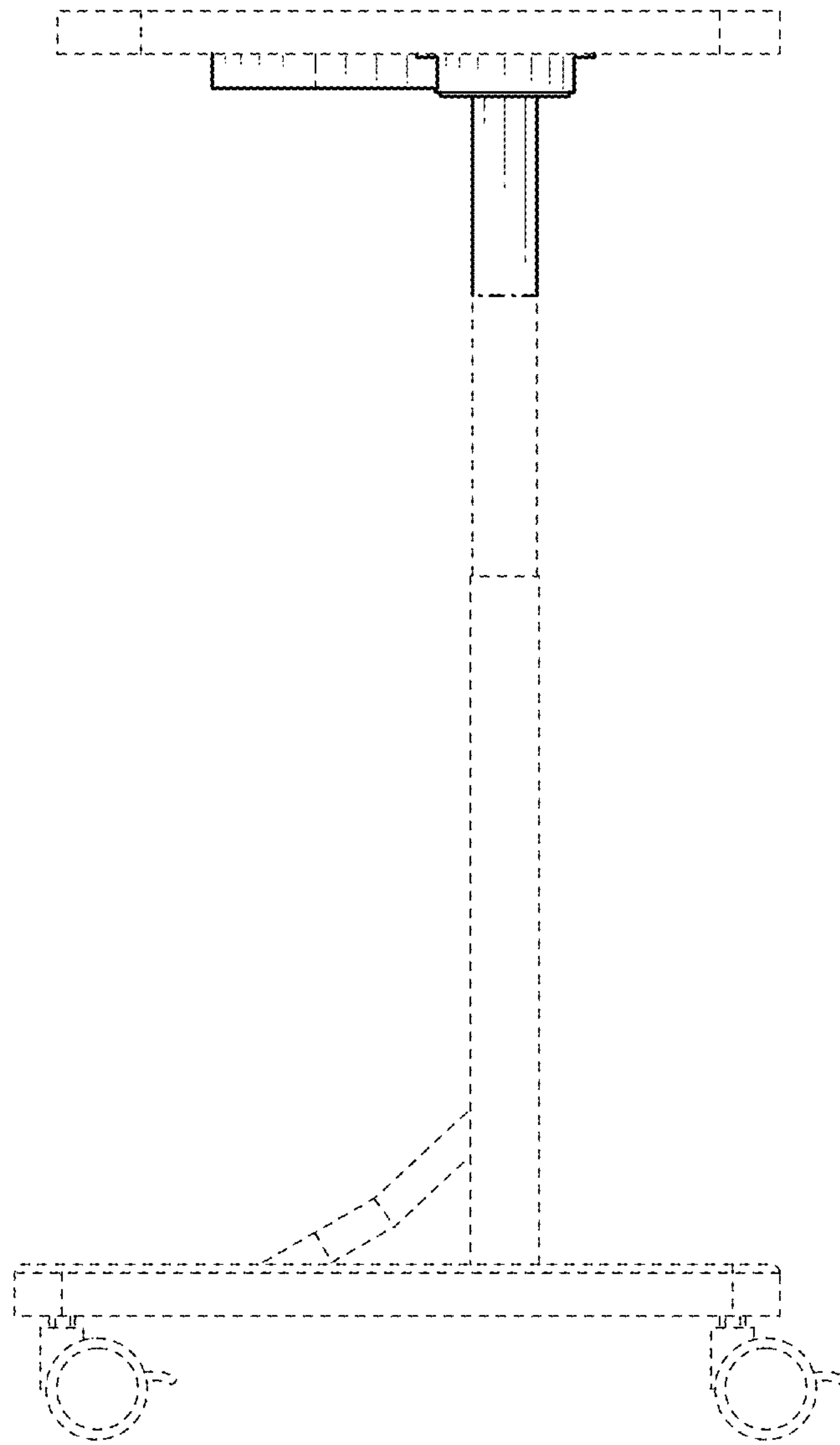


FIG. 6

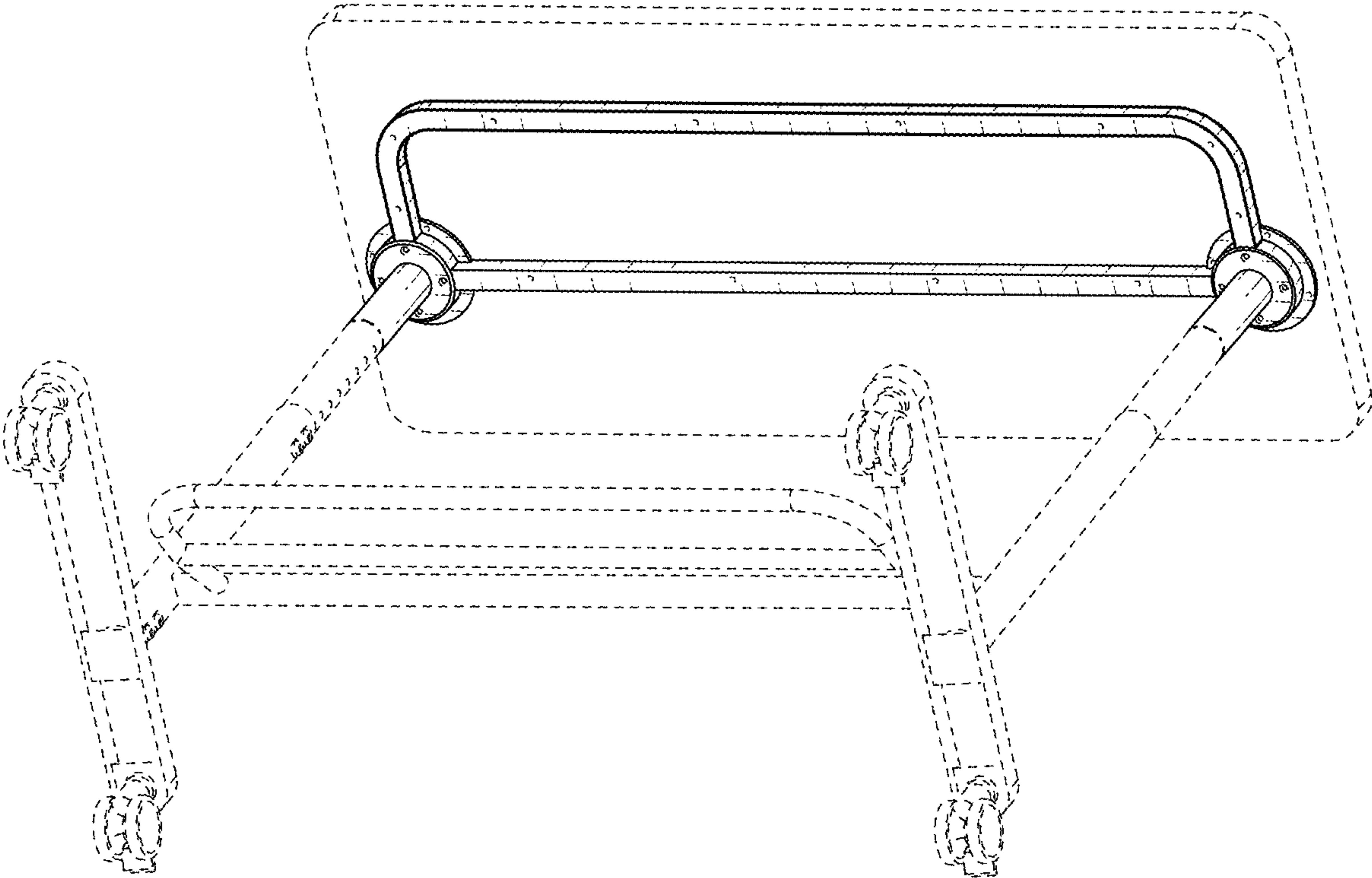


FIG. 7

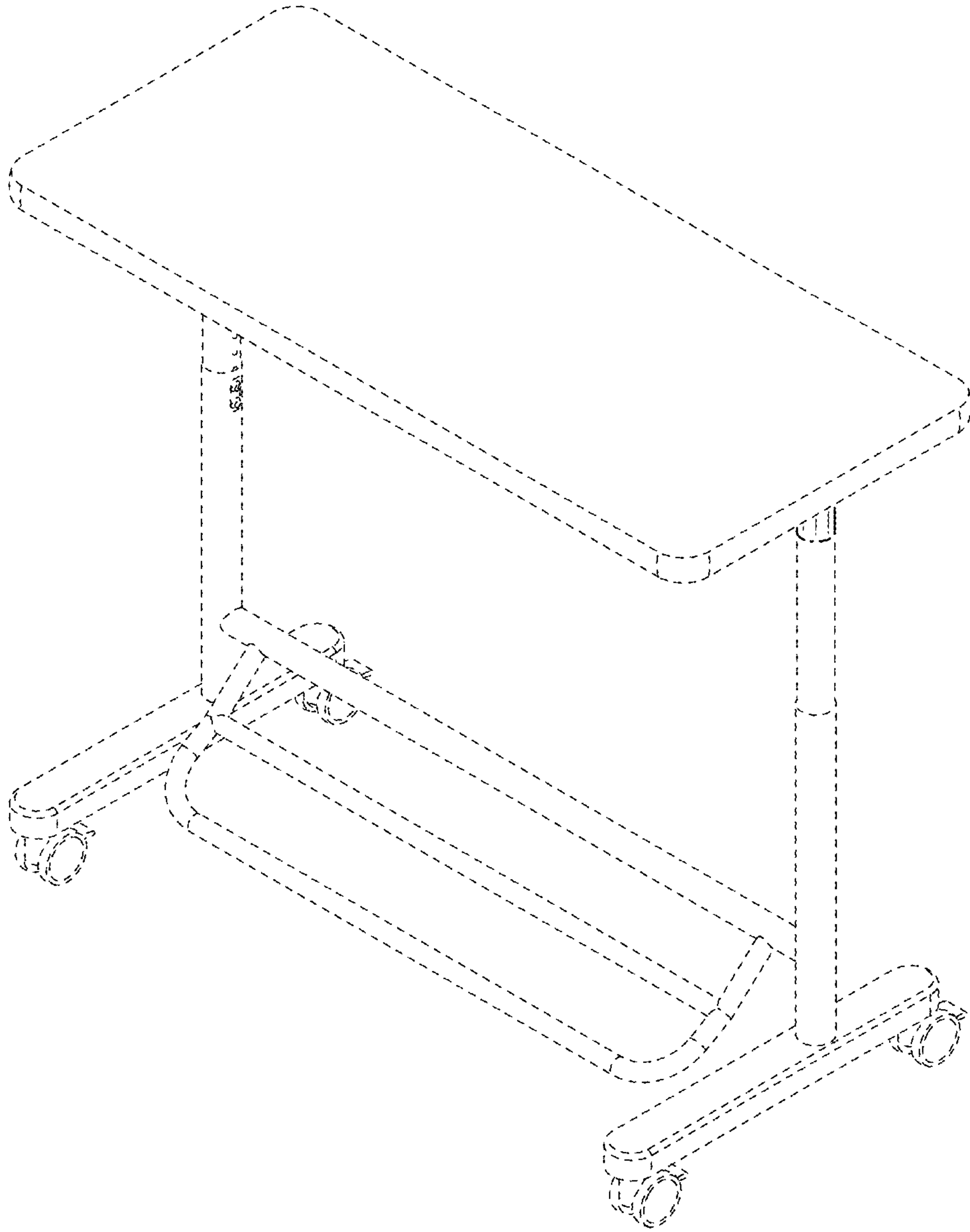


FIG. 8

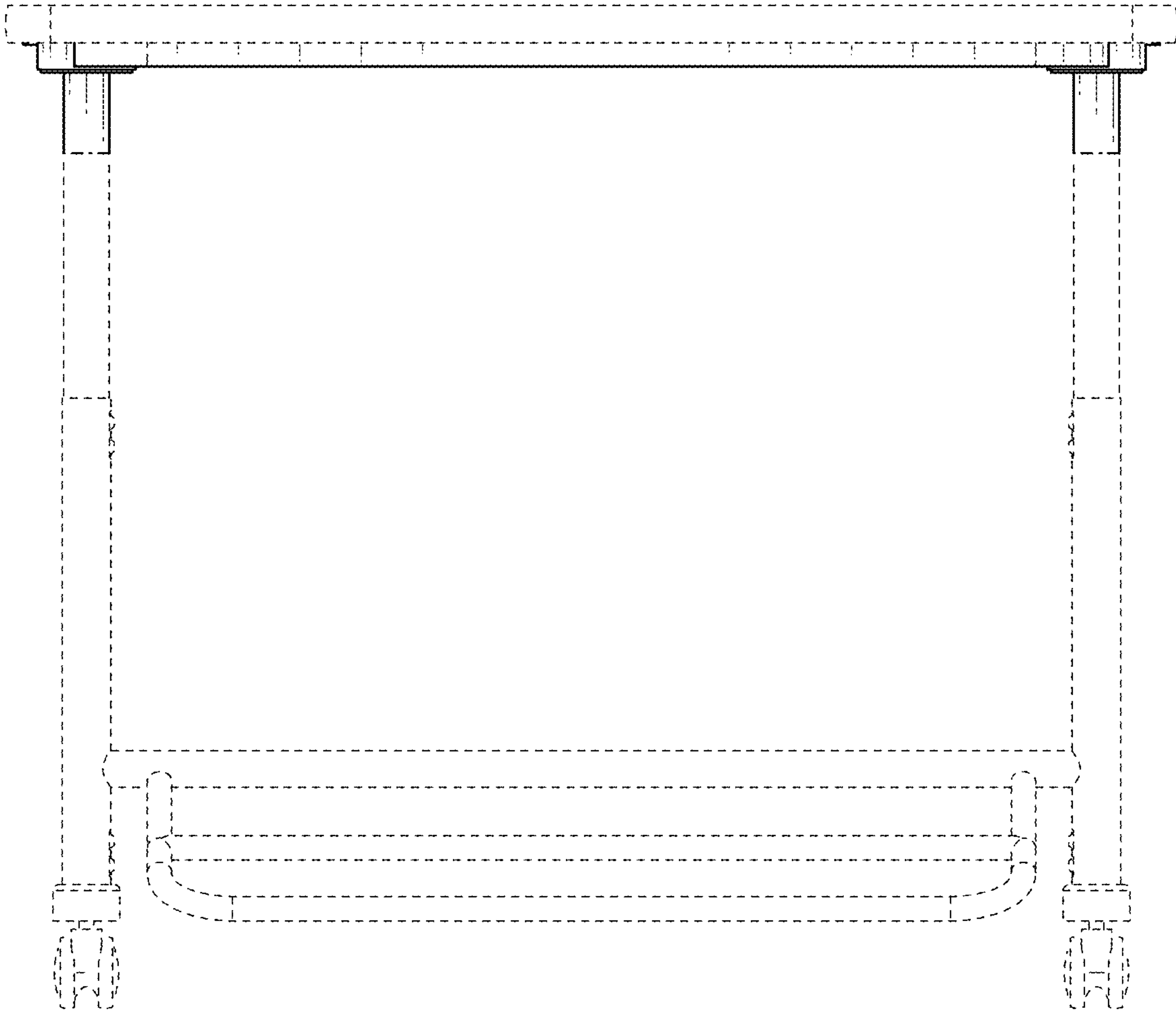


FIG. 9

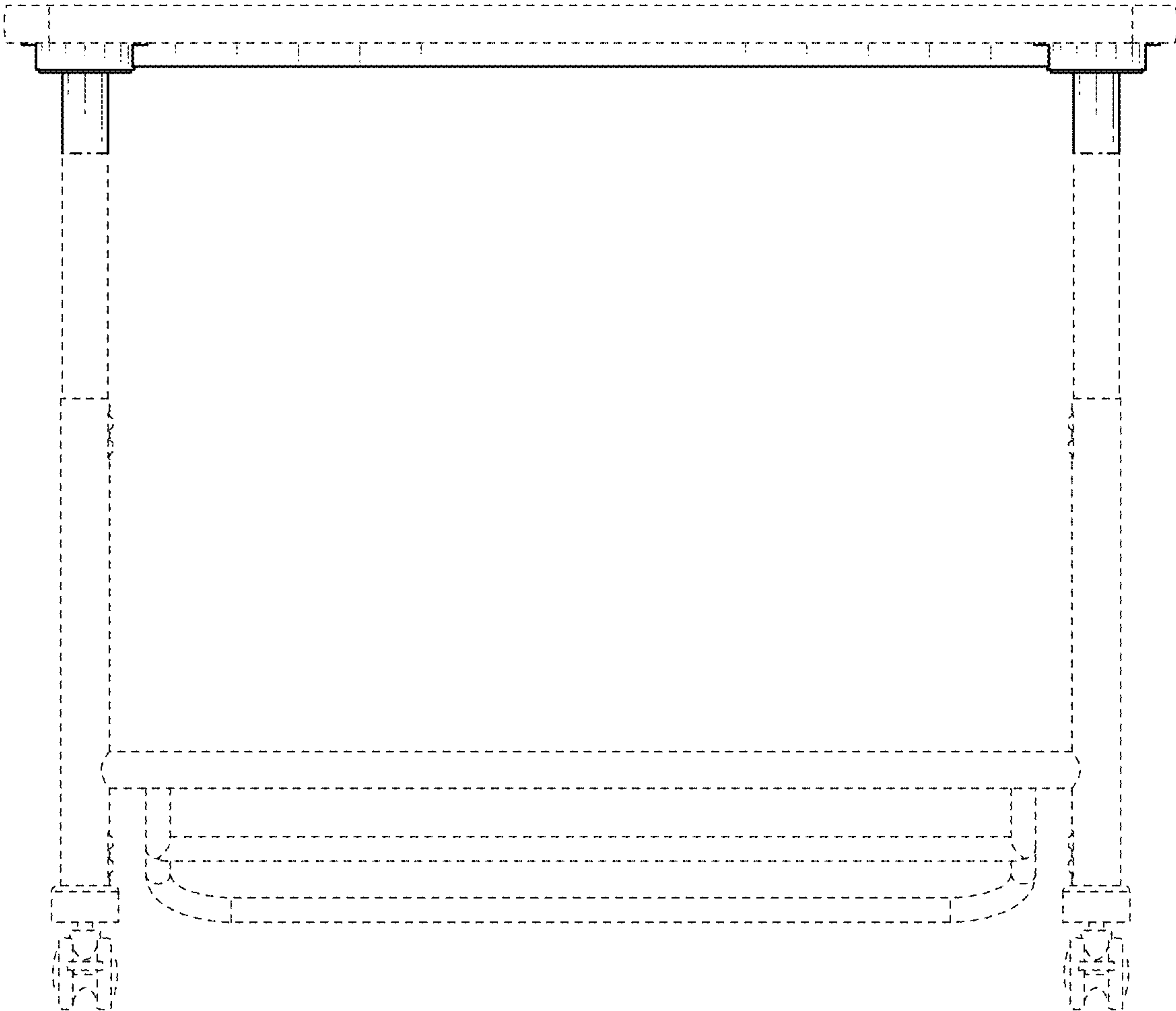


FIG. 10

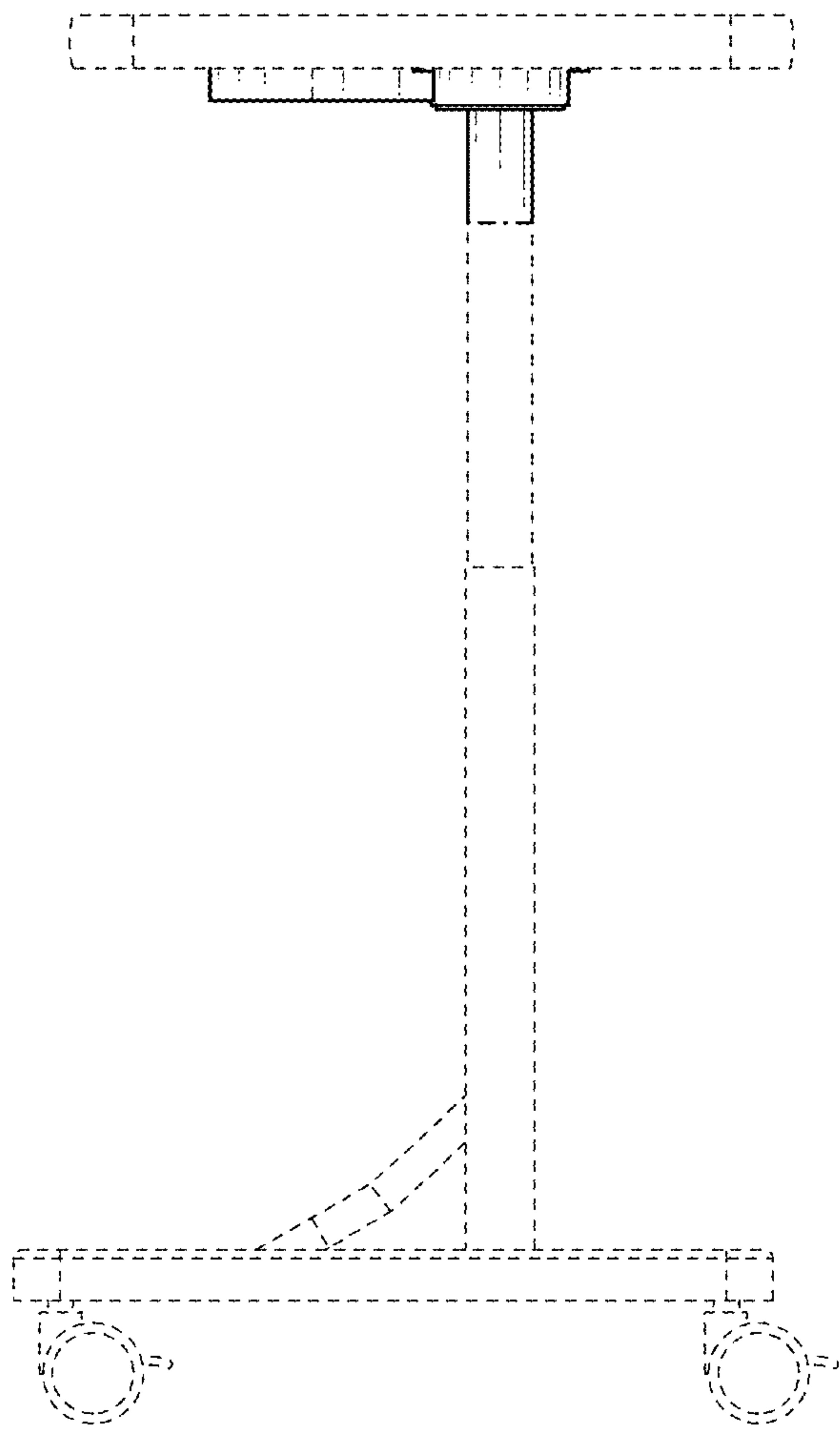


FIG. 11

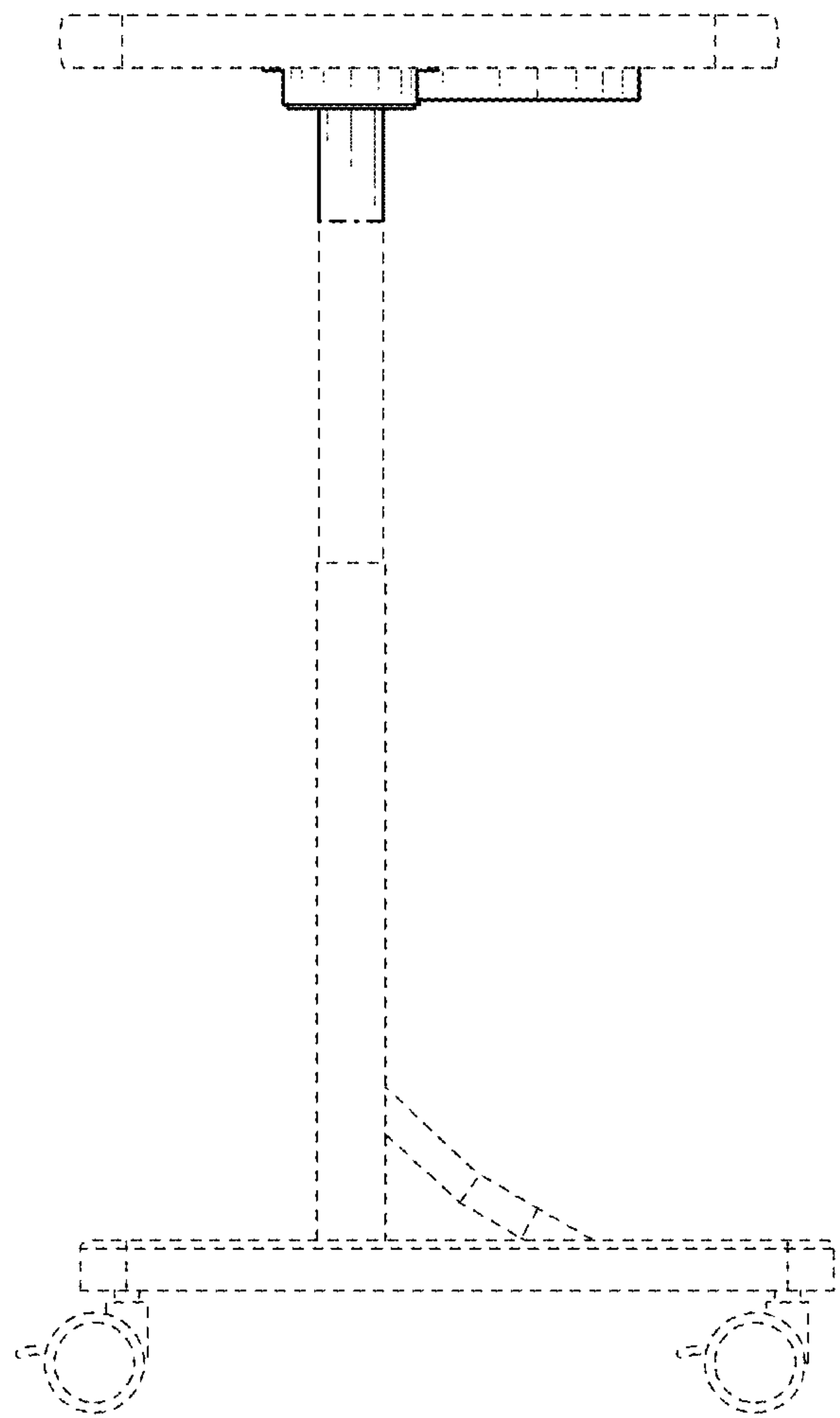


FIG. 12