



US00D960610S

(12) **United States Design Patent** (10) **Patent No.:** **US D960,610 S**
Sun (45) **Date of Patent:** **** Aug. 16, 2022**

(54) **CUSHION COVER**

(71) Applicant: **SHAOXING FALAN MIKE ELECTRONIC COMMERCE CO., LTD.**, Shaoxing (CN)

(72) Inventor: **Huimin Sun**, Shaoxing (CN)

(**) Term: **15 Years**

(21) Appl. No.: **29/769,665**

(22) Filed: **Feb. 7, 2021**

(51) **LOC (13) Cl.** **06-13**

(52) **U.S. Cl.**
USPC **D6/611**

(58) **Field of Classification Search**
USPC D6/329, 334, 374, 381, 596, 601, 608, D6/610, 611, 613, 616
CPC A45C 2009/002; A45F 2004/026; A47C 7/021; A47C 7/0213; A47C 27/001; A47C 27/002; A47C 31/10; B60N 2/58; B60N 2/60; B60N 2/6009; B60N 2/6018
See application file for complete search history.

(56) **References Cited**

U.S. PATENT DOCUMENTS

2,782,840	A *	2/1957	Armbrecht	A47C 31/10 297/228.11
D264,401	S	5/1982	Trotman		
D363,186	S	10/1995	Reaves		
D423,860	S *	5/2000	Schlechter	D6/601
D579,706	S	11/2008	Cox et al.		
D593,786	S *	6/2009	Lown	D6/596
D601,844	S	10/2009	Miller		
D634,150	S	3/2011	Kantzoglou		
D636,624	S	4/2011	Berk et al.		
D653,486	S *	2/2012	Wood	D6/601
D747,615	S *	1/2016	Anderson	D6/608
D747,898	S *	1/2016	Lovechio	D6/601
D777,493	S *	1/2017	McNown	D6/716.1
D896,006	S	9/2020	Green		

D906,495	S *	12/2020	Huang	D23/311
D929,151	S *	8/2021	Thompson	D6/596
2012/0169101	A1 *	7/2012	Suzuki	B60N 2/12 297/354.1

FOREIGN PATENT DOCUMENTS

EM 008731632-0001 * 10/2021

OTHER PUBLICATIONS

T Shape Cushion Cover [online], [site visited Dec. 14, 2021], Available from internet, URL: <https://www.coversandall.com/t-shape-cushion-cover.html?gclid=Cj0KCQiAnuGNBhCPARIsACbnLzrkFLuuND0Yg4Xm1wDZqXwHGR7uNv7EMAJlpV5pcjXsBdJETFT3-vkaAh5uEALw_wcB> (Year: 2021).*
H.VERSAILTEX Stretch Velvet T Cushion Chair Covers [online], [site visited Dec. 14, 2021], Available from internet, URL: <https://www.amazon.com/H-VERSAILTEX-Stretch-Cushion-Armchair-Slipcover/dp/B091JQ3KXR/ref=sr_1_6?keywords=t%2Bcushion%2Bchair%2Bslipcover&qid=1639505962&sr=8-6&th=1> (Year: 2021).*

* cited by examiner

Primary Examiner — Cynthia Ramirez
Assistant Examiner — Xavier Marti-Santos

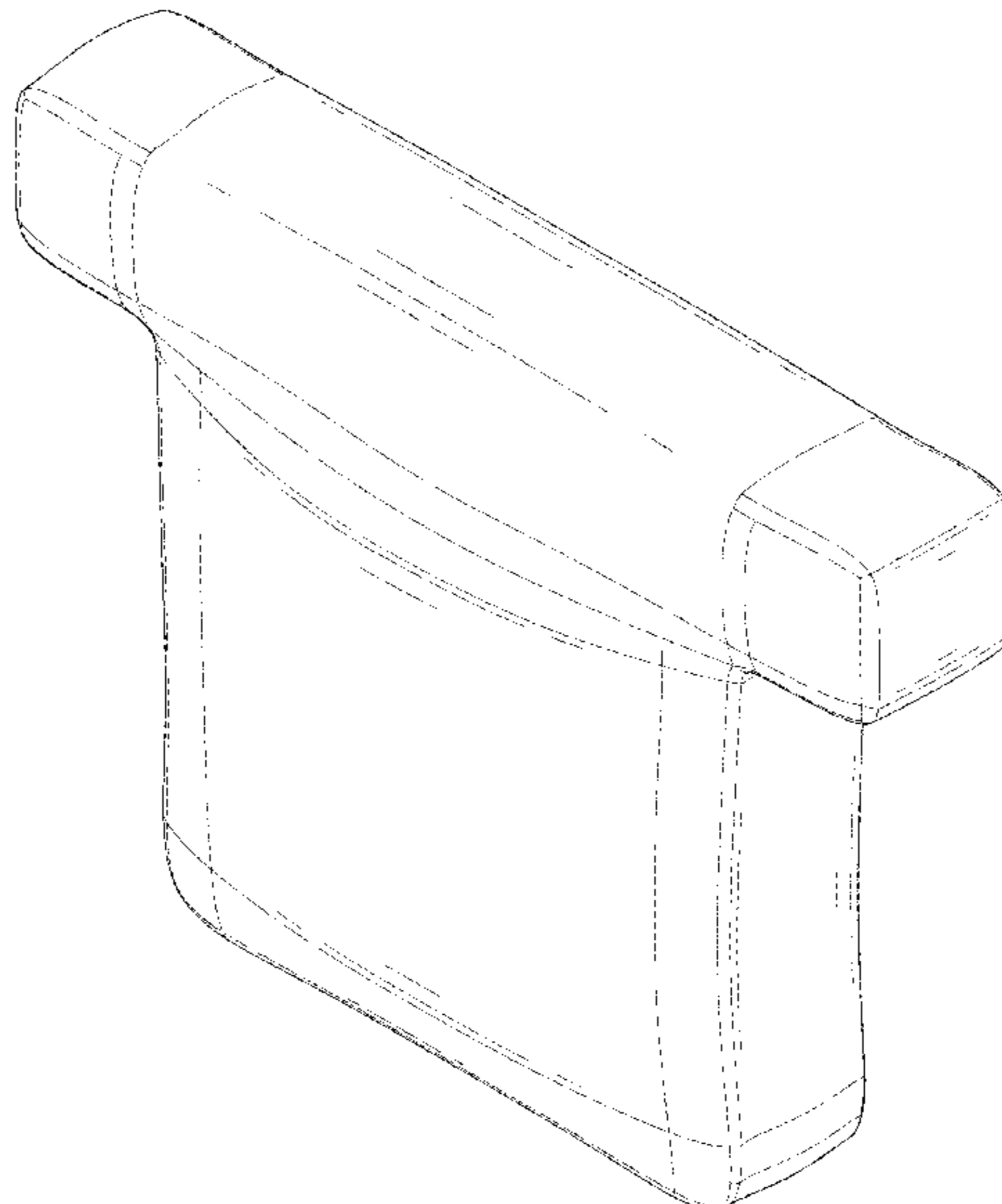
(57) **CLAIM**

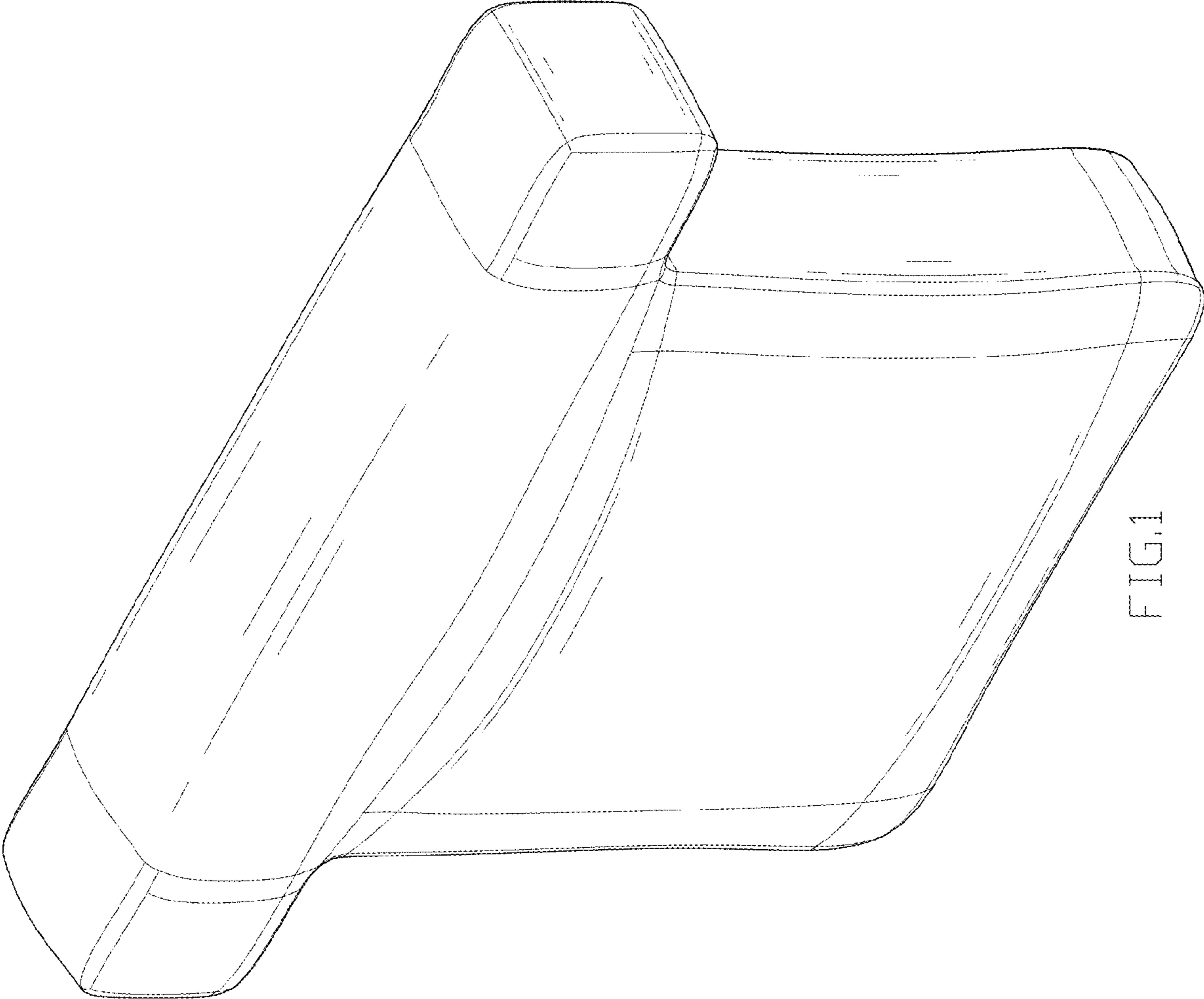
The ornamental design for a cushion cover, as shown and described.

DESCRIPTION

FIG. 1 is a front, right side, top perspective view of a cushion cover showing my new design;
FIG. 2 is a rear, right side, bottom perspective view thereof;
FIG. 3 is a front elevational view thereof;
FIG. 4 is a rear elevational view thereof;
FIG. 5 is a left side elevational view thereof;
FIG. 6 is a right side elevational view thereof;
FIG. 7 is a top plan view thereof; and,
FIG. 8 is a bottom plan view thereof.

1 Claim, 8 Drawing Sheets





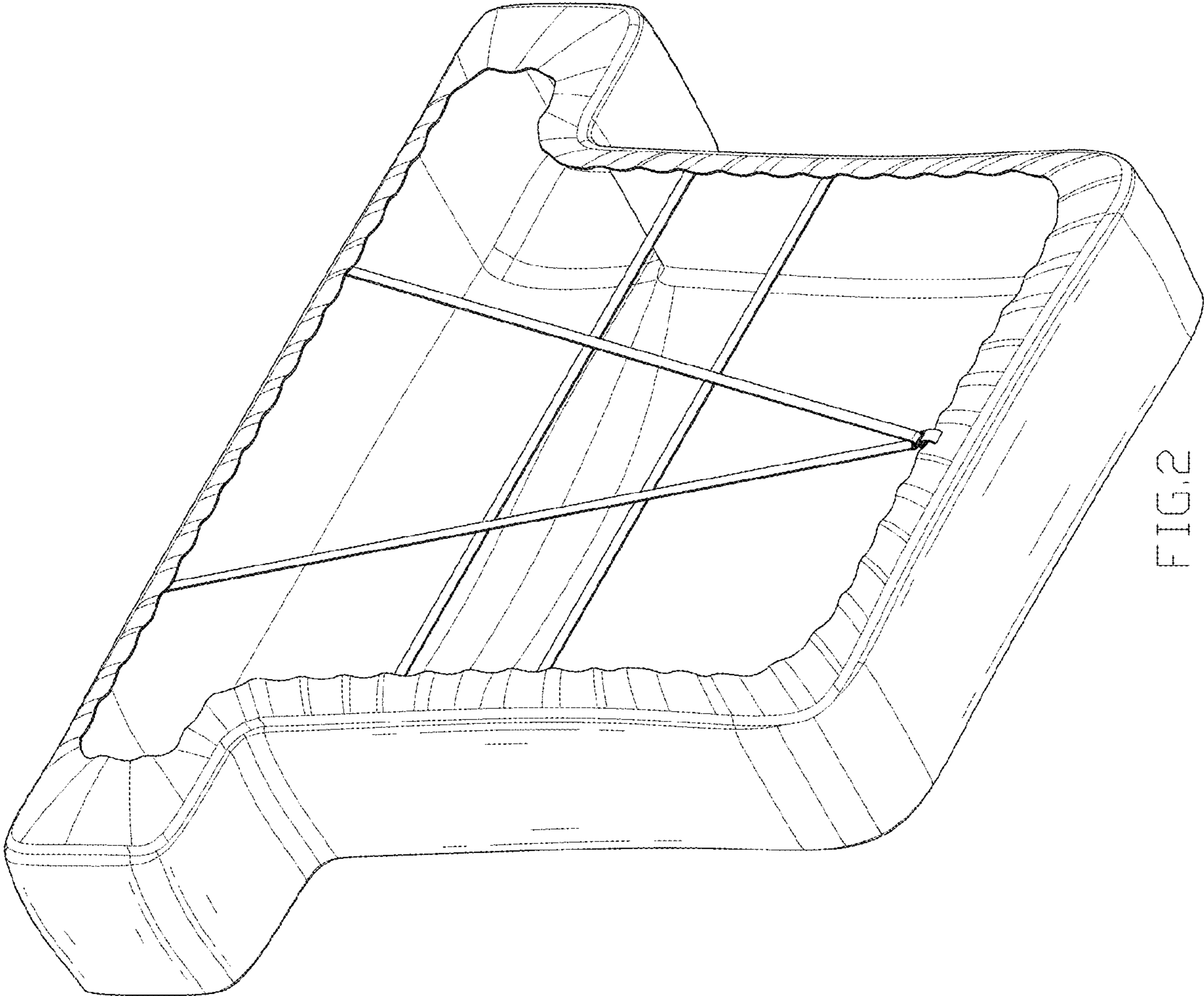


FIG. 2

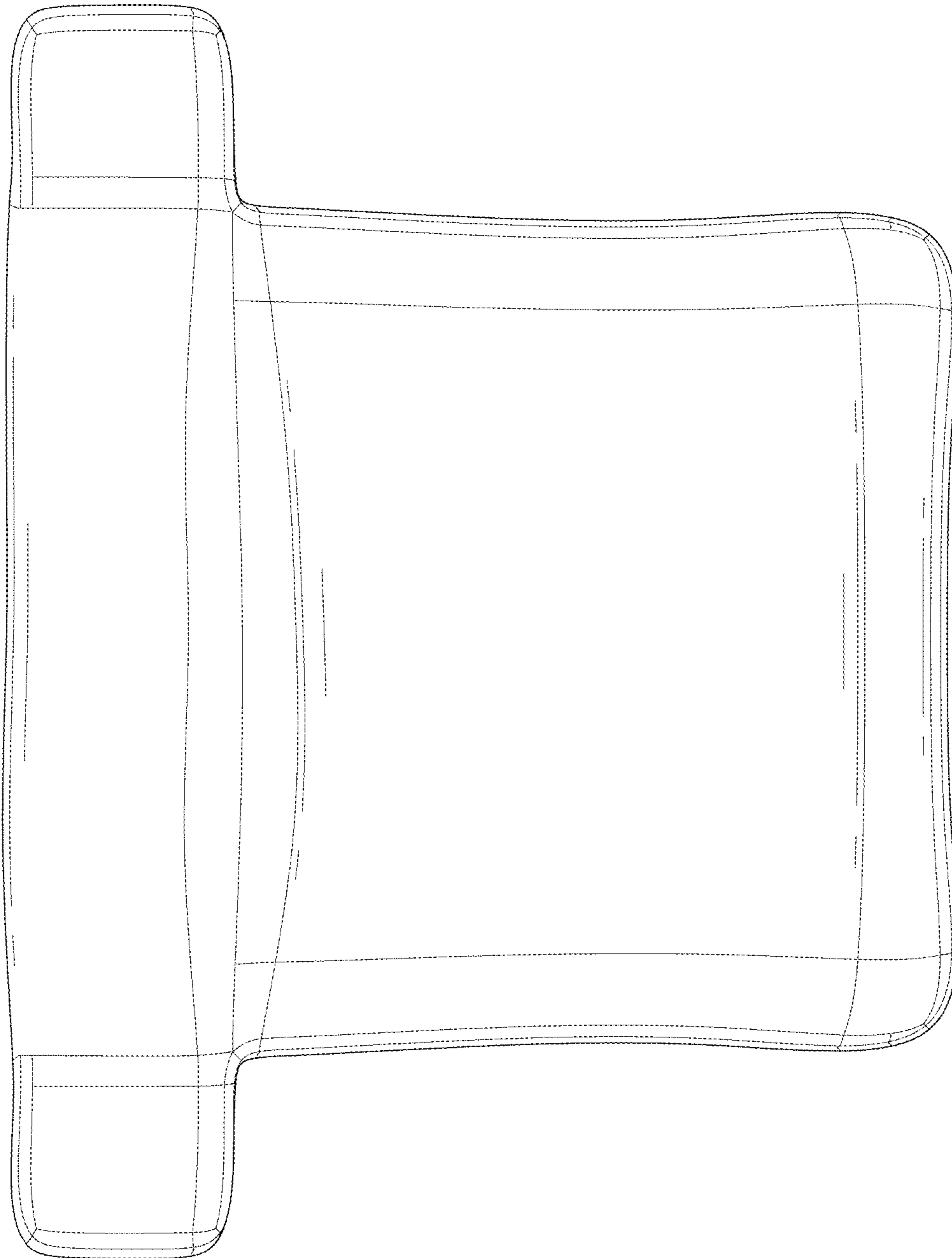


FIG. 3

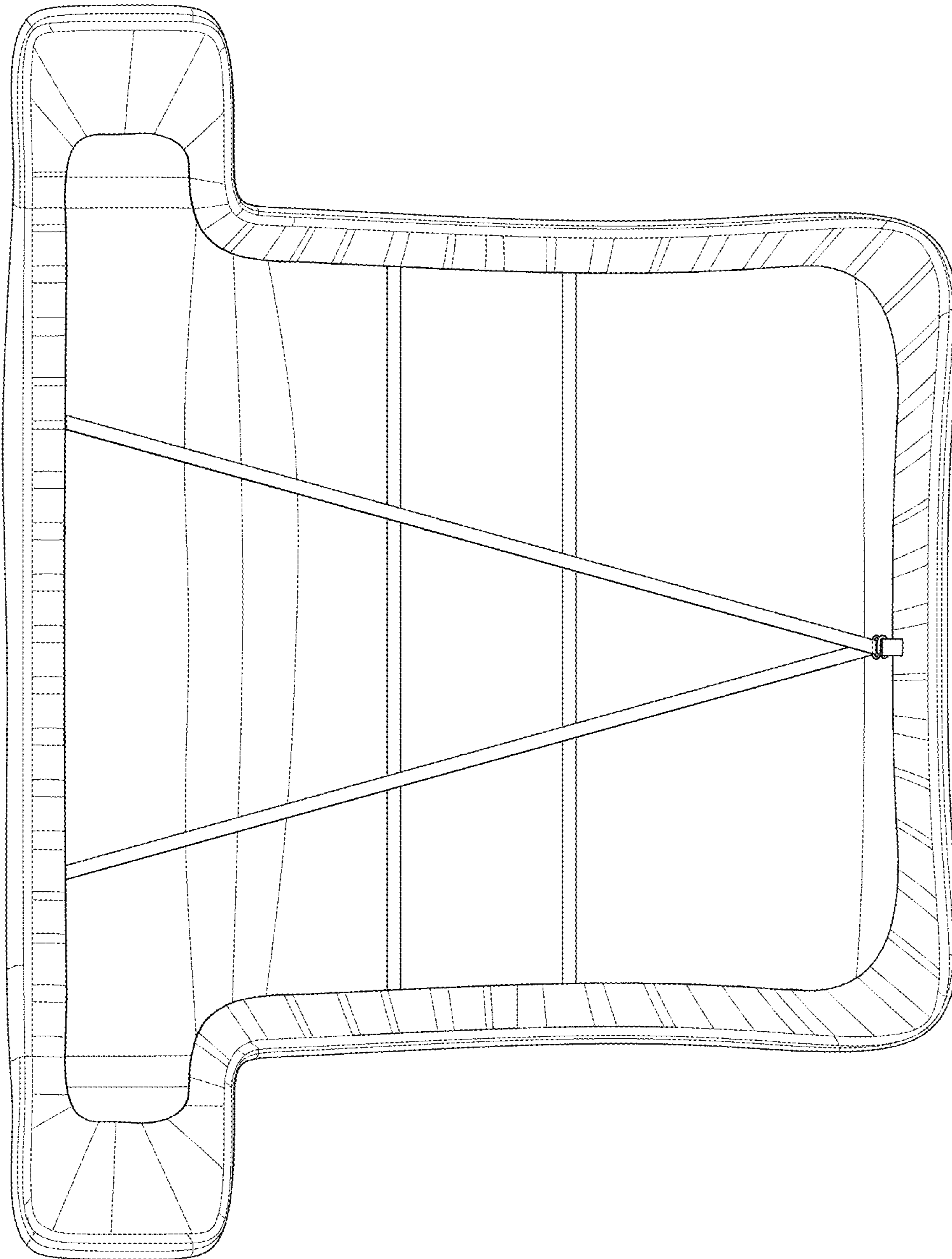


FIG.4

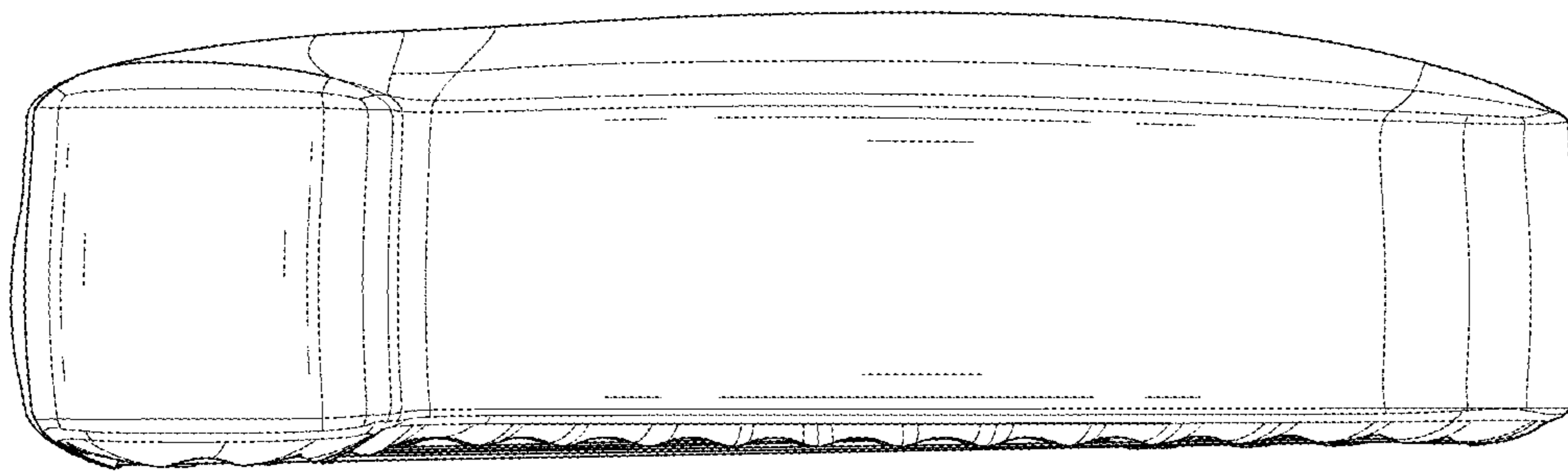


FIG. 5

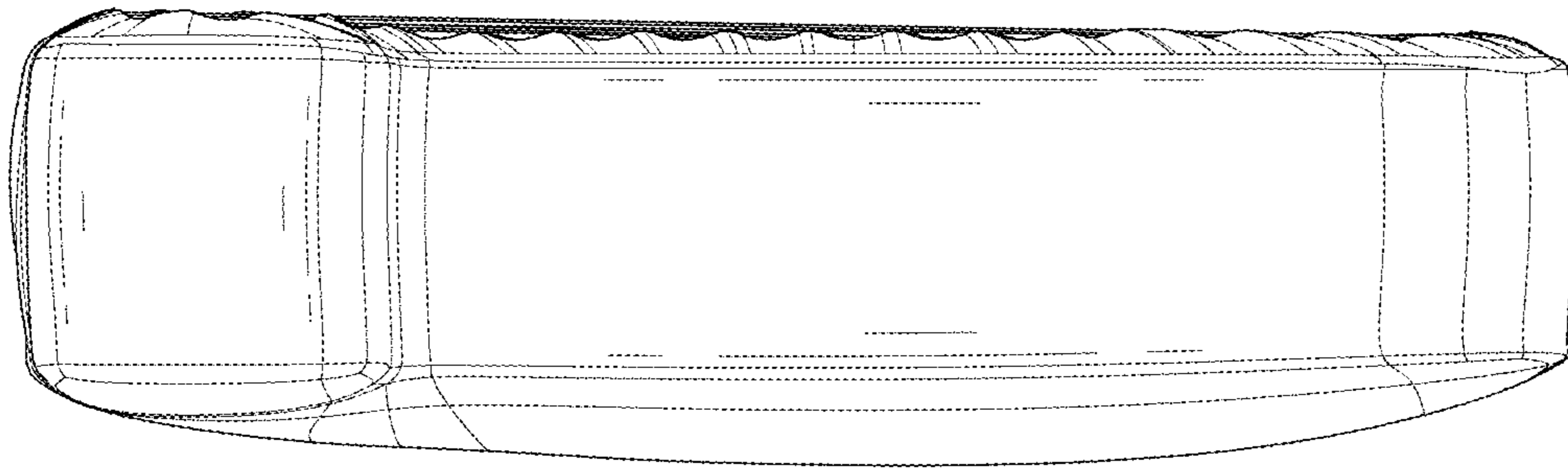


FIG. 6

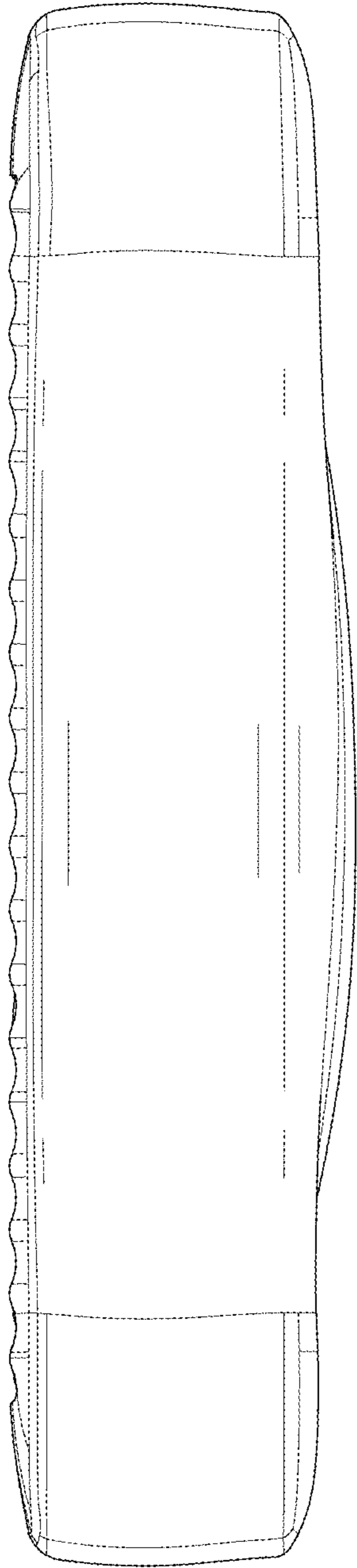


FIG. 7

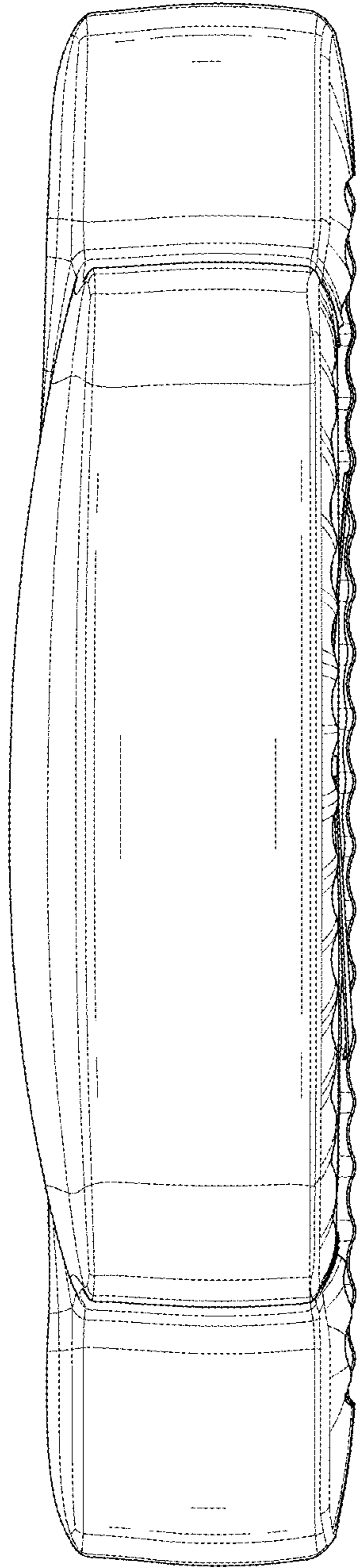


FIG. 8